



US00D412420S

United States Patent [19] Harris

[11] Patent Number: **Des. 412,420**

[45] Date of Patent: **** Aug. 3, 1999**

[54] **POST FOR A BATHROOM FIXTURE**

[75] Inventor: **Frederick J. Harris**, Clinton, Conn.

[73] Assignee: **Harrow Products, Inc.**, Grand Rapids, Mich.

[**] Term: **14 Years**

[21] Appl. No.: **29/075,464**

[22] Filed: **Aug. 21, 1997**

[51] **LOC (6) Cl.** **07-07**

[52] **U.S. Cl.** **D6/524; D6/550**

[58] **Field of Search** D6/524-540, 546-550;
D8/349, 354, 363, 373, 380; 211/13.1,
87, 105.1, 105.2, 123

[56] **References Cited**

U.S. PATENT DOCUMENTS

D. 66,320	12/1924	Baker	D6/524
D. 114,696	5/1939	Connors	D6/524
D. 128,782	8/1941	Hallenscheid	D6/550
D. 163,444	5/1951	Crook	D6/550
D. 286,963	12/1986	Waghorn	.	
D. 293,989	2/1988	Tegner	.	
D. 298,895	12/1988	Sharpe	.	
D. 299,099	12/1988	Gresens et al.	.	
D. 307,992	5/1990	Gresens et al.	.	
D. 317,691	6/1991	Wang	.	

D. 318,968	8/1991	Poulson	D6/550
D. 326,382	5/1992	Ko	.	
D. 334,315	3/1993	Bengtson	.	
D. 357,379	4/1995	Lehn et al.	.	
D. 361,006	8/1995	Sharpe	.	
D. 362,361	9/1995	Lehn et al.	.	
D. 374,361	10/1996	Lehn et al.	.	
D. 377,570	1/1997	Sharpe	.	

Primary Examiner—Brian N. Vinson
Attorney, Agent, or Firm—Rader, Fishman, Grauer & McGarry

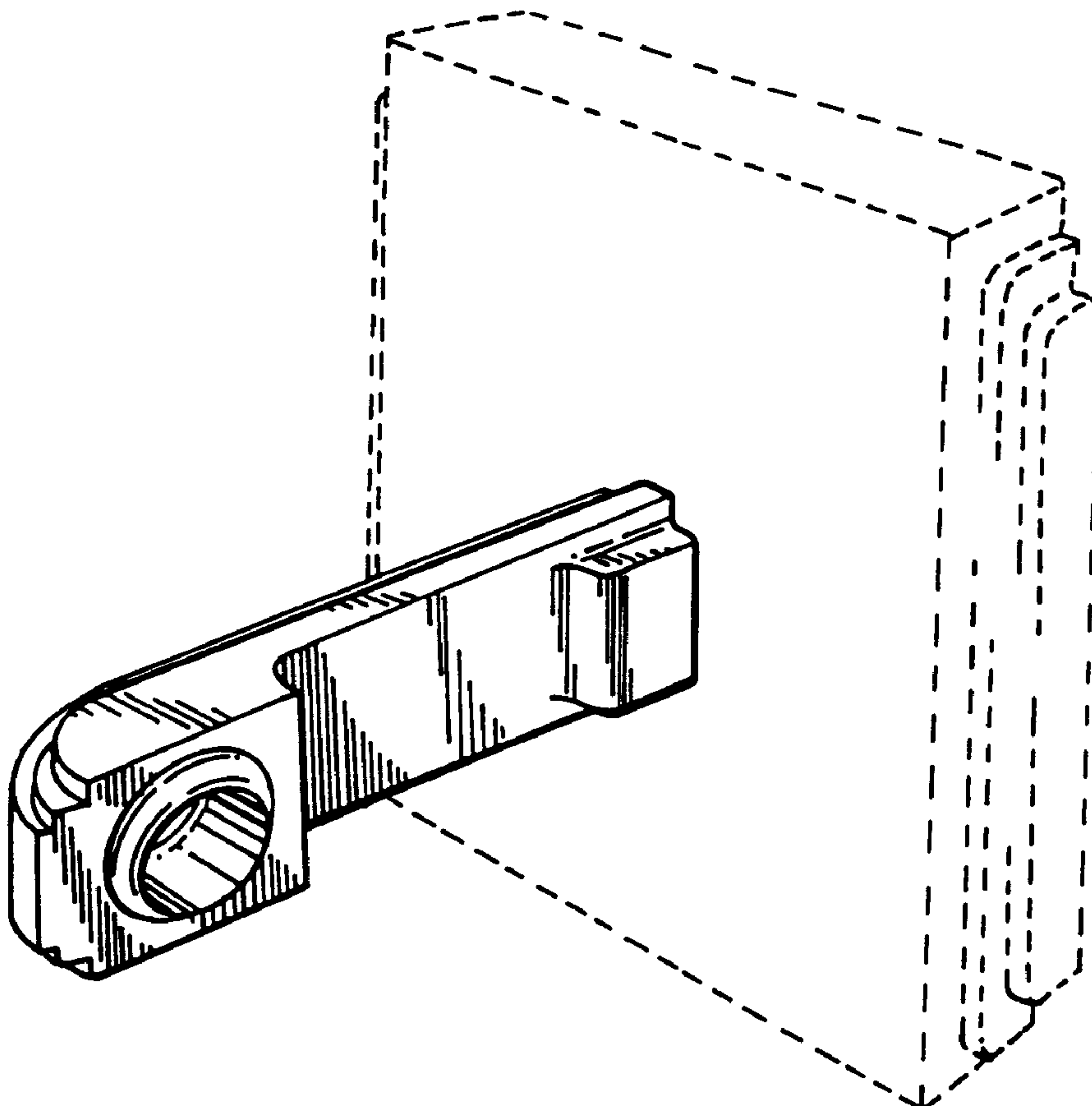
[57] **CLAIM**

The ornamental design for a post for a bathroom fixture, as shown and described.

DESCRIPTION

FIG. 1 is a perspective view of a post for a bathroom fixture which embodies my design;
FIG. 2 is a right side-elevation view thereof;
FIG. 3 is a left side-elevation view thereof;
FIG. 4 is a top plan view thereof; the bottom plan view being a mirror image thereof;
FIG. 5 is a front-elevation view thereof; and,
FIG. 6 is a rear-elevation view thereof.
The broken line shown in FIG. 1 is for illustrative purpose only and forms no part of the claimed design.

1 Claim, 1 Drawing Sheet



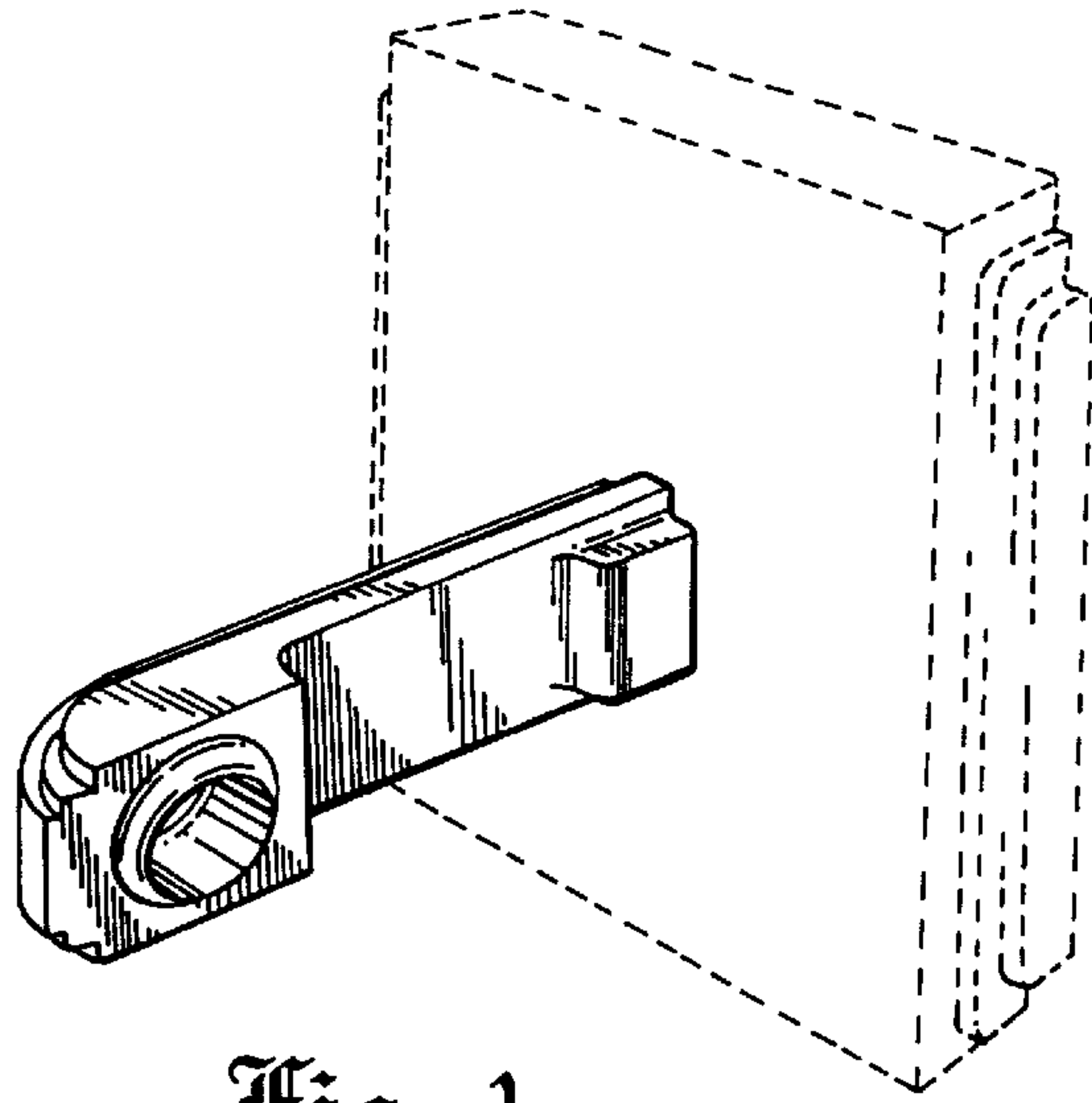


Fig. 1

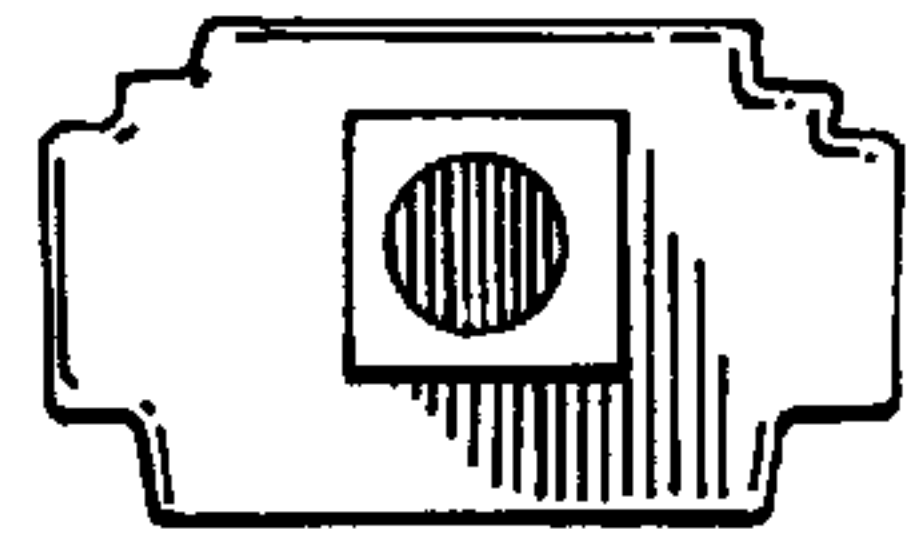


Fig. 6



Fig. 5

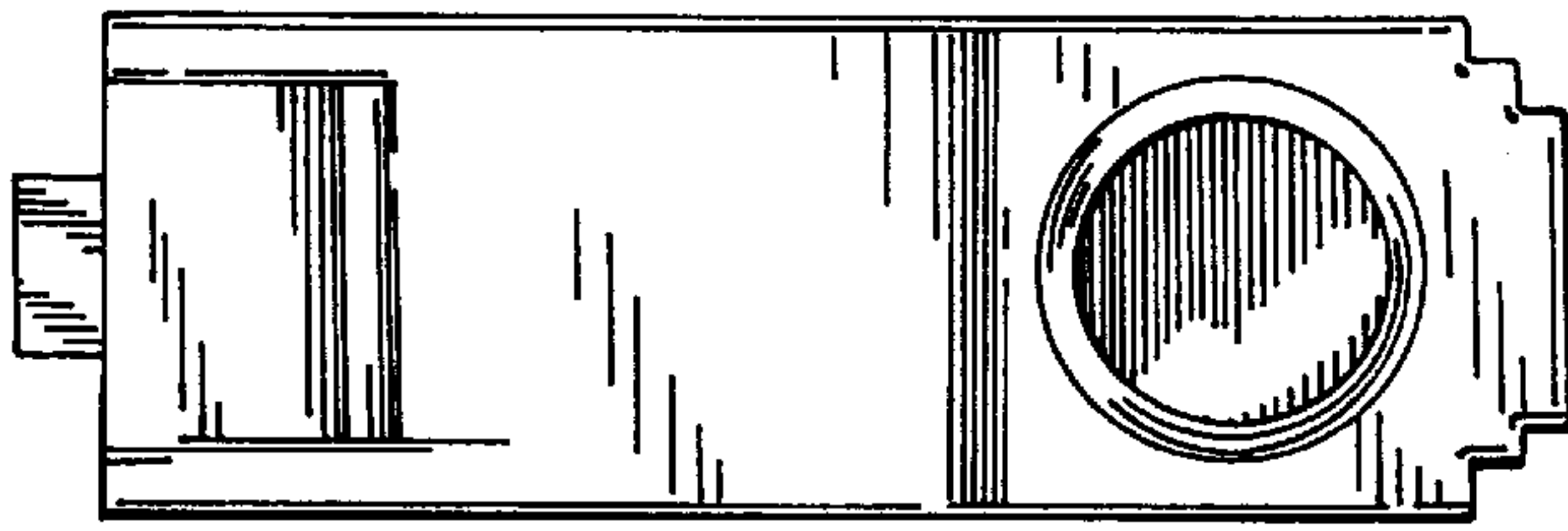


Fig. 2

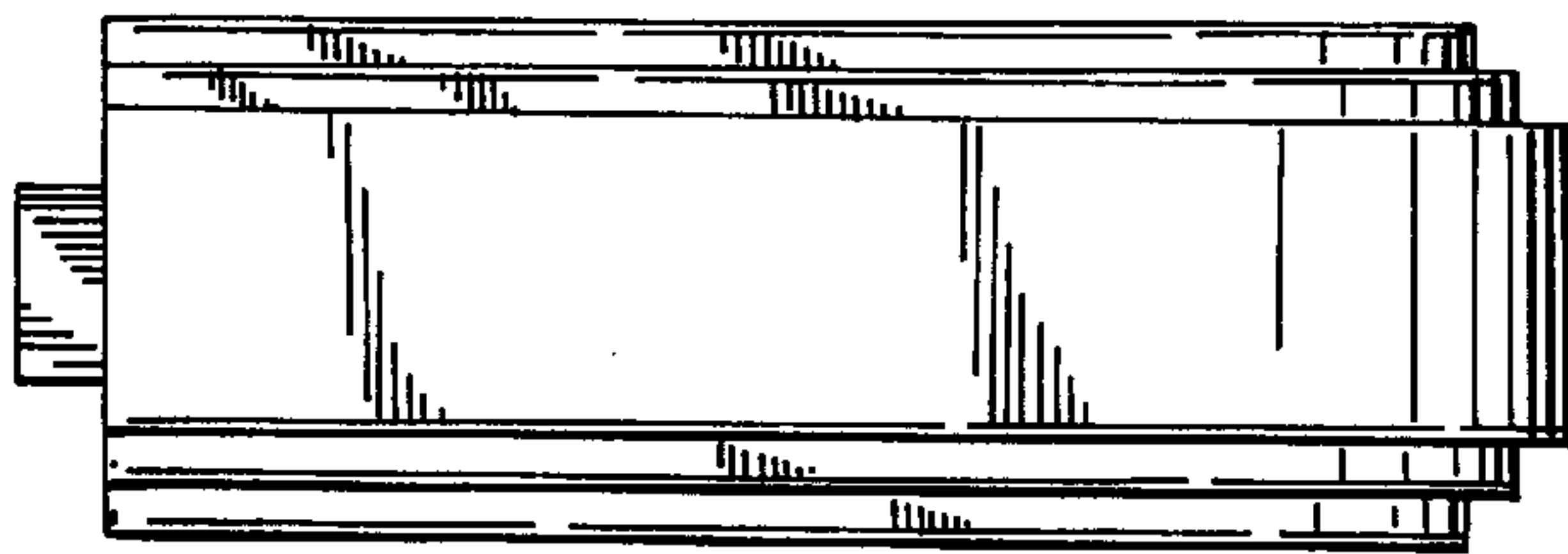


Fig. 3

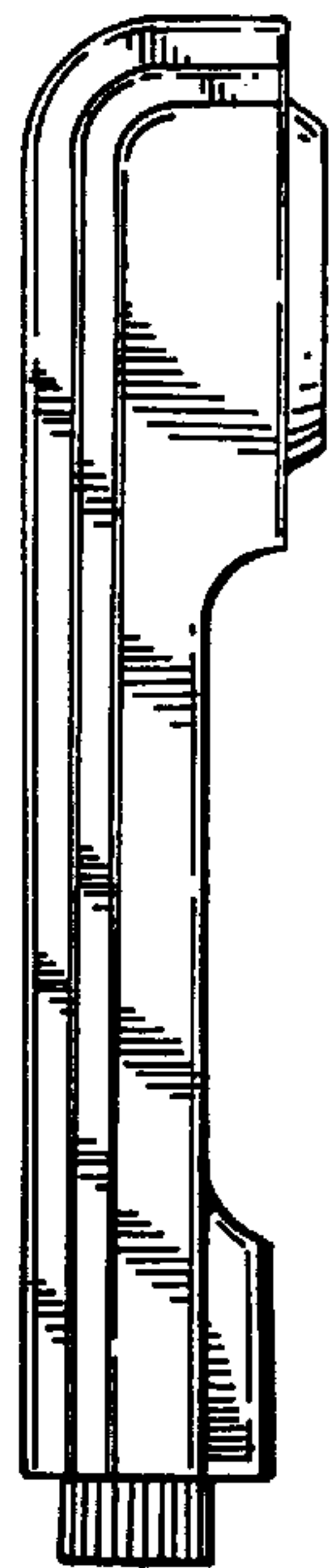


Fig. 4