



US00D412419S

United States Patent [19] Neufeld

[11] **Patent Number: Des. 412,419**

[45] **Date of Patent: ** Aug. 3, 1999**

[54] **FRONT FACE FOR A HEADBOARD**

[75] Inventor: **Weldon John Neufeld**, Winnipeg, Canada

[73] Assignee: **Palliser Furniture Ltd.**, Canada

[**] Term: **14 Years**

[21] Appl. No.: **29/076,000**

[22] Filed: **Aug. 28, 1997**

[30] **Foreign Application Priority Data**

Aug. 21, 1997 [CA] Canada 1997-2172

[51] **LOC (6) Cl.** **06-01**

[52] **U.S. Cl.** **D6/505**

[58] **Field of Search** D6/382-384, 388-395,
D6/505-508; 5/53.1, 279.1, 280, 281, 907,
285

[56] **References Cited**

U.S. PATENT DOCUMENTS

D. 328,207 7/1992 White D6/505

D. 393,162 4/1998 Bargagli-Stoffi D6/505
D. 393,163 4/1998 Zaidman D6/505

OTHER PUBLICATIONS

Thomasville, Montage Impressions, Apr. 1986, p. 4, headboard.

Woodward and Lothrop Directions, headboard at bottom.

Primary Examiner—Janice E. Seeger
Attorney, Agent, or Firm—Michael Best & Friedrich LLP

[57] **CLAIM**

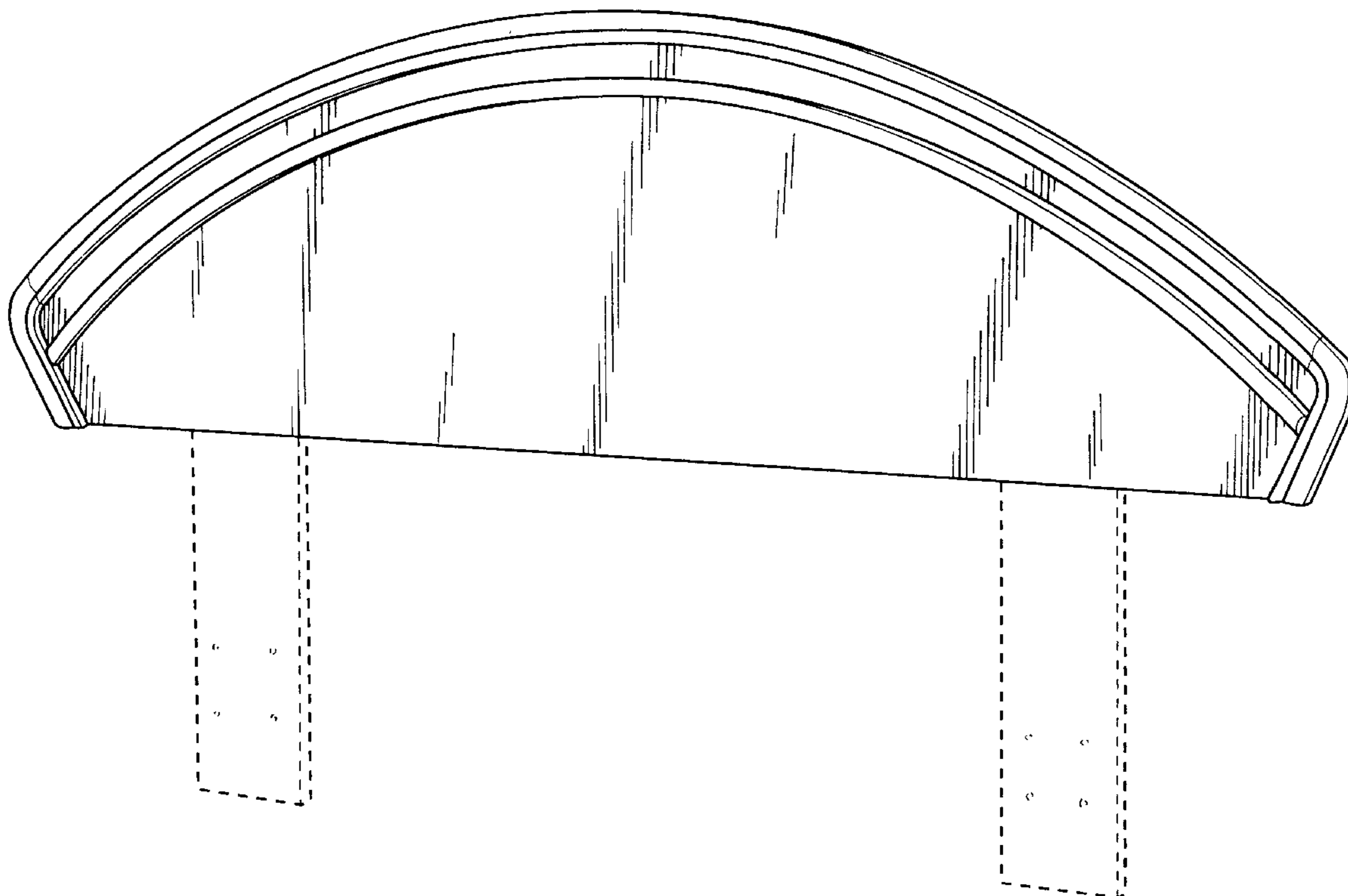
The ornamental design for a front face for a headboard, as shown and described.

DESCRIPTION

FIG. 1 is a front elevational view of a front face for a headboard, showing my new design; and, FIG. 2 is a front view of FIG. 1.

The broken lines are for environmental purposes only and form no part of the claimed design.

1 Claim, 2 Drawing Sheets



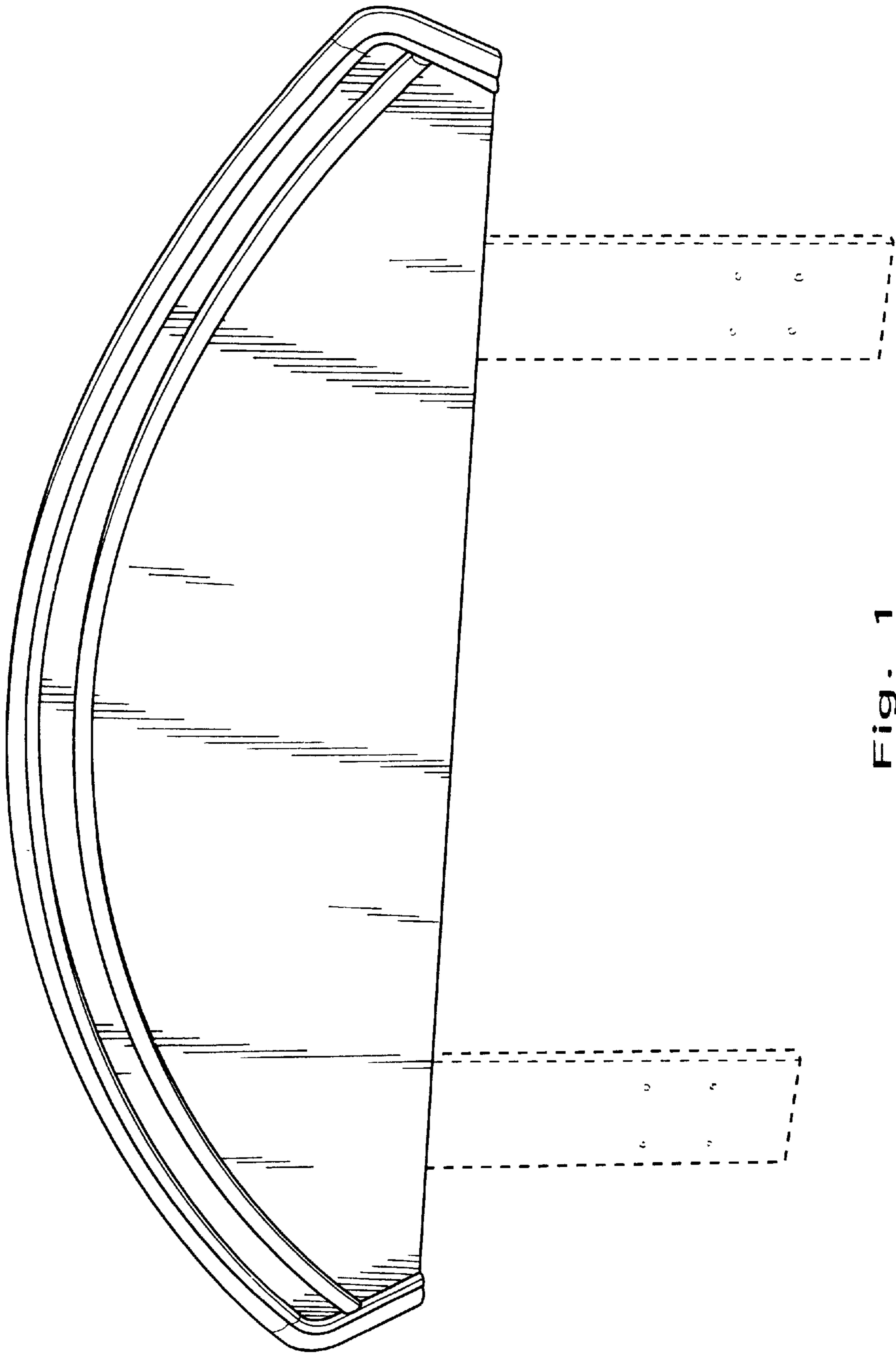


Fig. 1

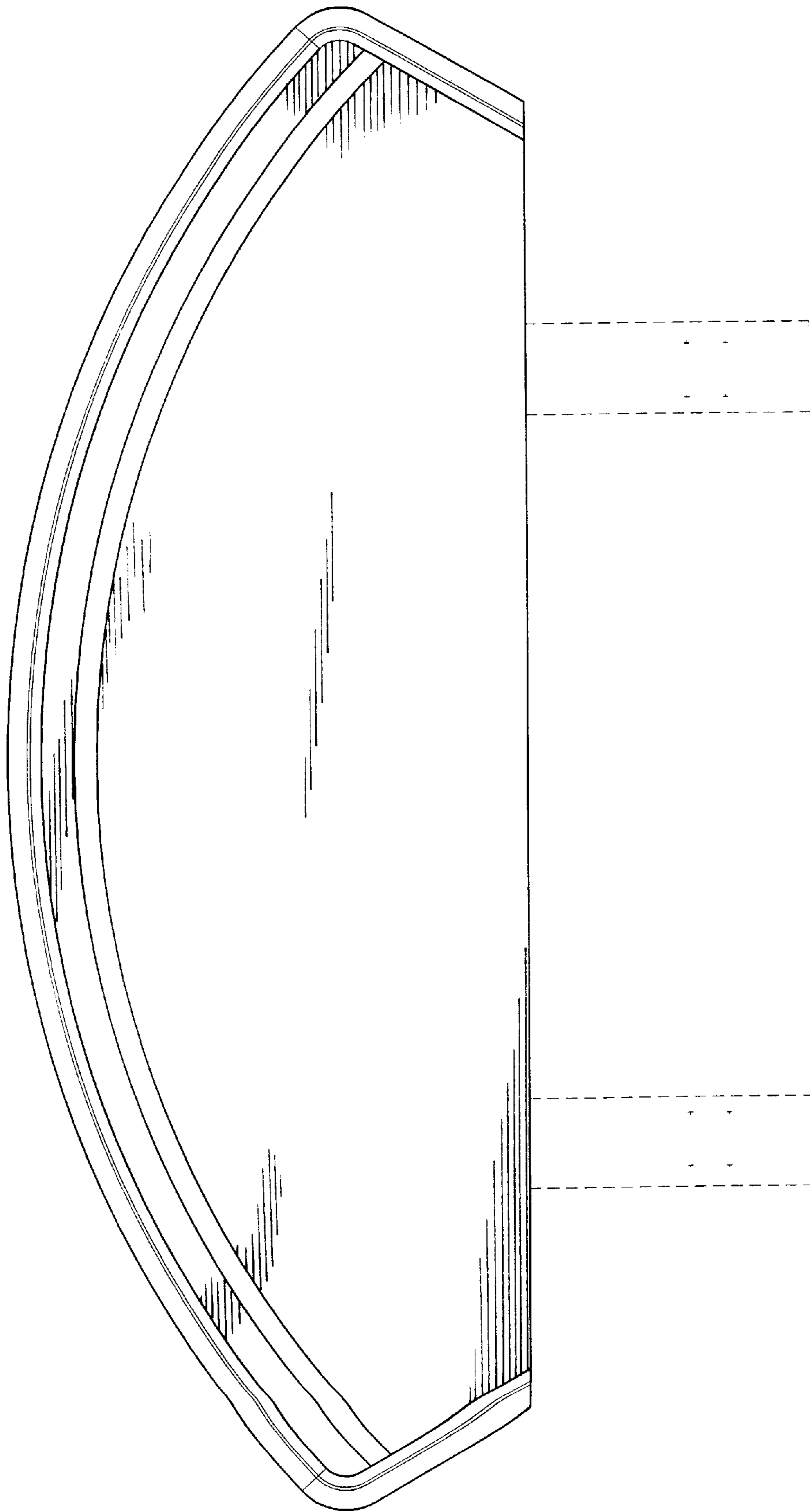


Fig. 2