



US00D412418S

**United States Patent** [19]  
**Zaidman**

[11] **Patent Number: Des. 412,418**

[45] **Date of Patent: \*\* Aug. 3, 1999**

[54] **HEADBOARD**

[75] Inventor: **Paul Zaidman**, Winnipeg, Canada

[73] Assignee: **Palliser Furniture, Ltd.**, Winnipeg, Canada

[\*\*] Term: **14 Years**

[21] Appl. No.: **29/067,189**

[22] Filed: **Feb. 28, 1997**

[51] **LOC (6) Cl.** ..... **06-06**

[52] **U.S. Cl.** ..... **D6/505; D6/384; D6/397**

[58] **Field of Search** ..... **D6/382-384, 390-395, D6/505-508, 397; 5/53.1, 2.1, 3, 5, 279.1, 280, 907, 308**

[56] **References Cited**

**U.S. PATENT DOCUMENTS**

D. 296,502 7/1988 Keller ..... D6/384

**OTHER PUBLICATIONS**

Thomasville American Oak, p. 6.  
Thomasville Salem Tavern, p. 8.

*Primary Examiner*—Janice E. Seeger  
*Attorney, Agent, or Firm*—Pollock, Vande Sande & Amernick

[57] **CLAIM**

The ornamental design for a headboard, as shown and described.

**DESCRIPTION**

FIG. 1 is a top view of the headboard showing my new design;

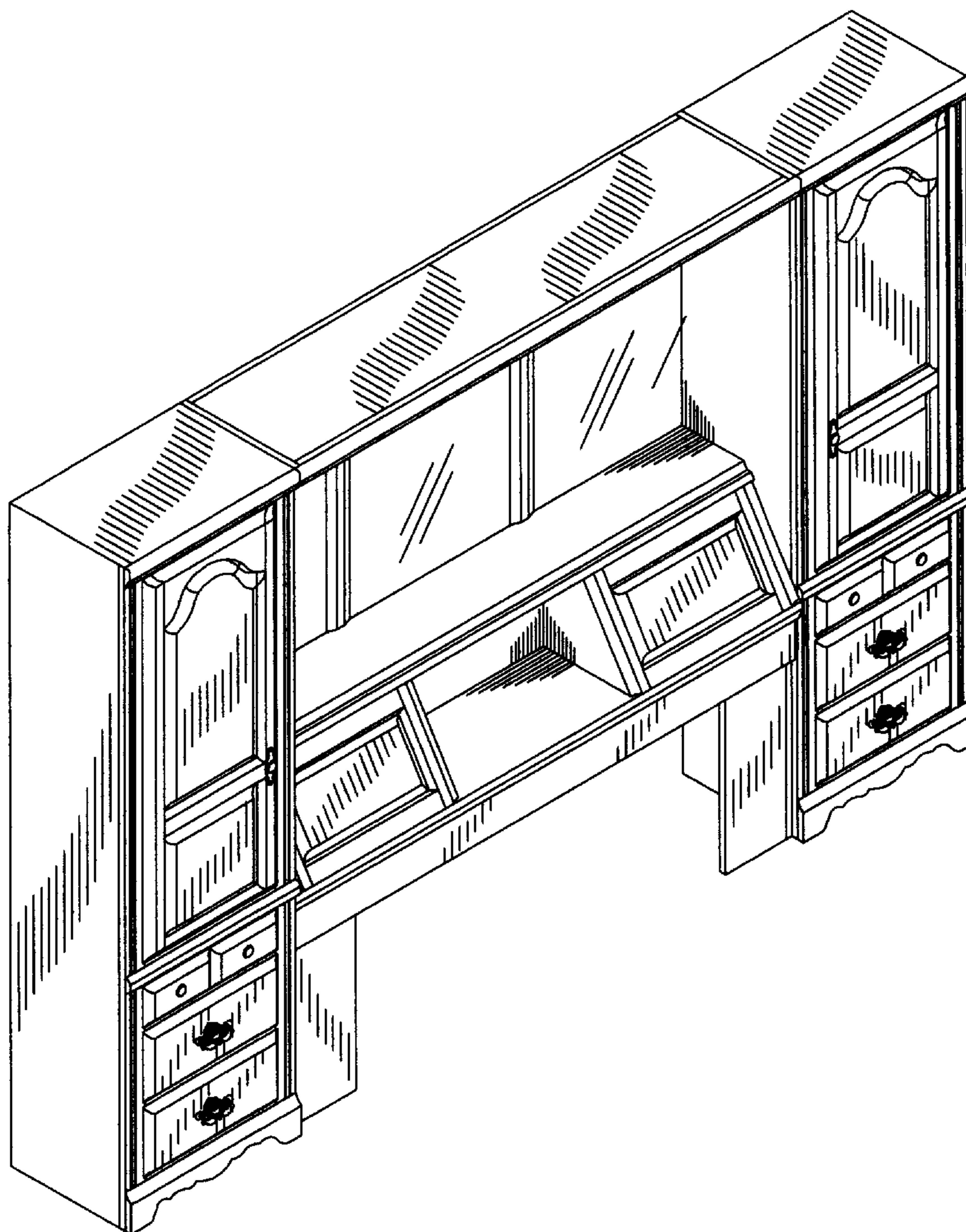
FIG. 2 is a front view thereof;

FIG. 3 is a left side elevational view, the right side being a mirror image thereof; and,

FIG. 4 is a front perspective view thereof.

The broken lines in the drawing are understood to be for illustrative purposes only.

**1 Claim, 2 Drawing Sheets**



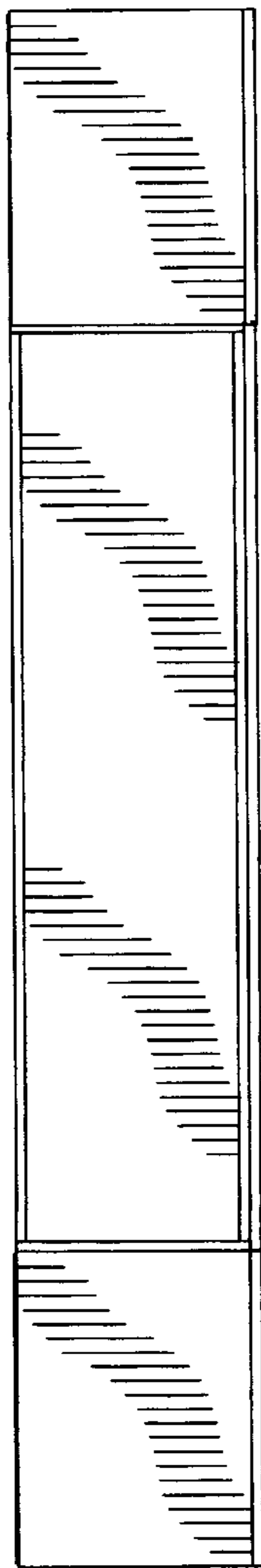


FIG. 1

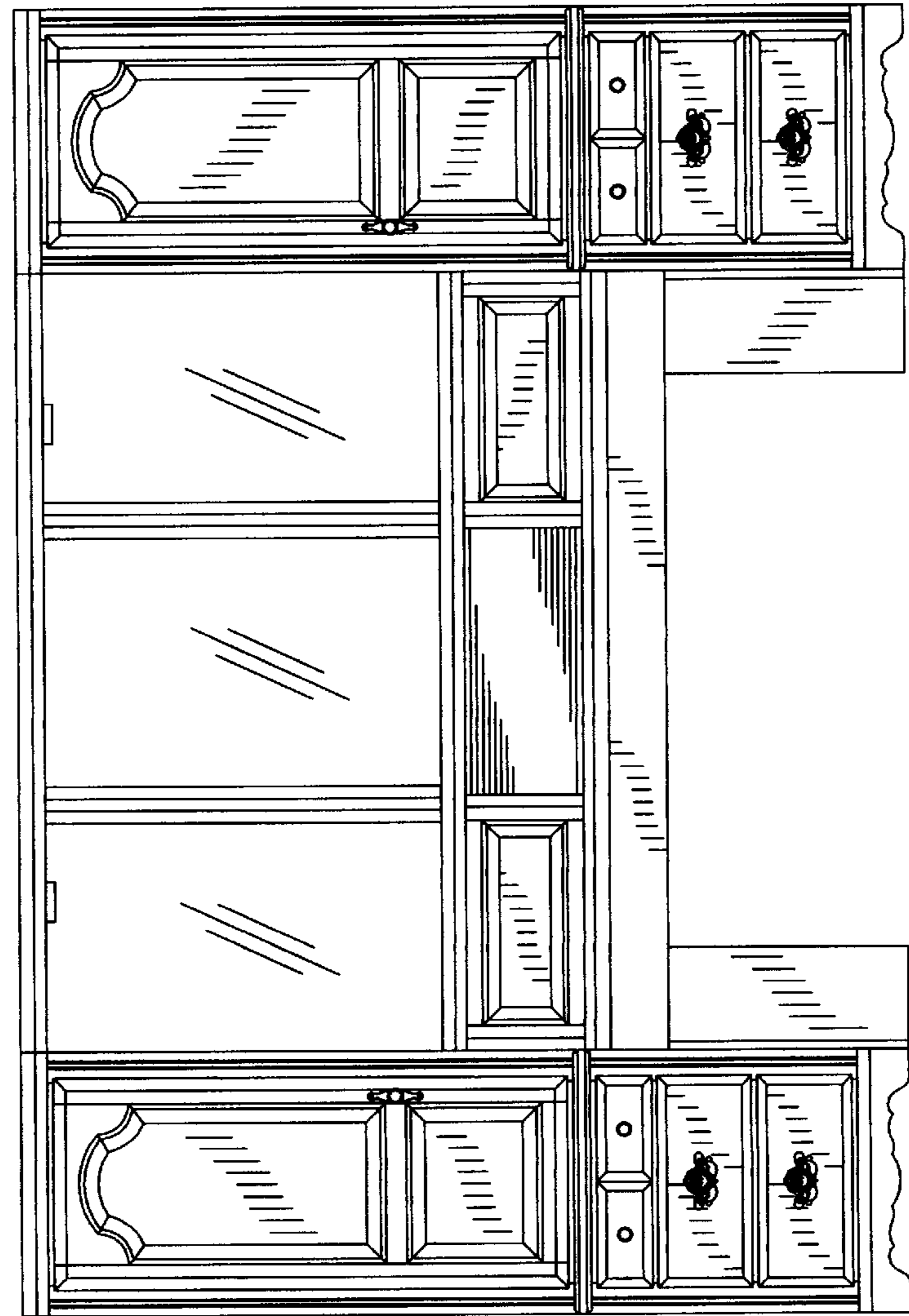


FIG. 2

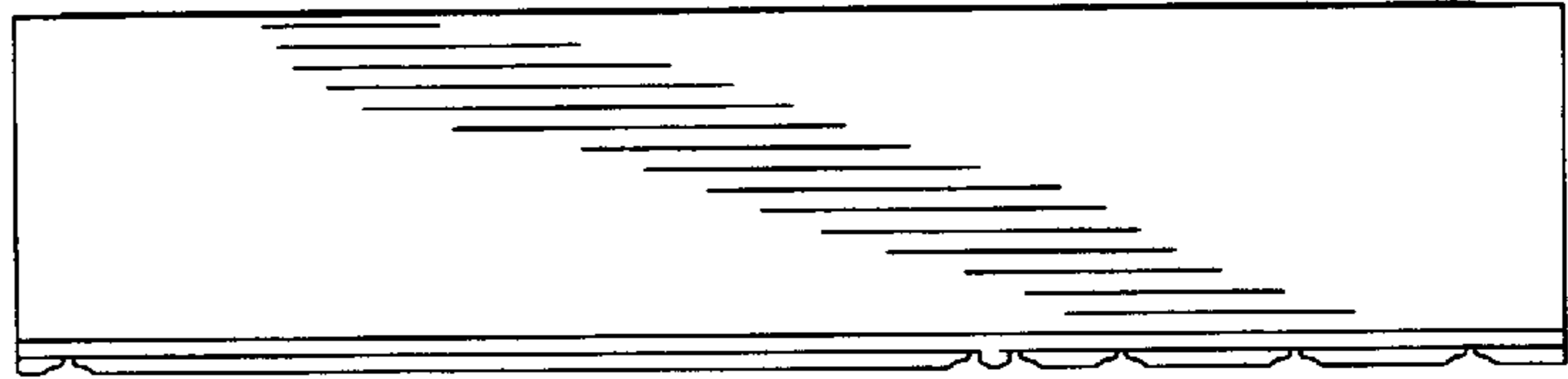


FIG. 3

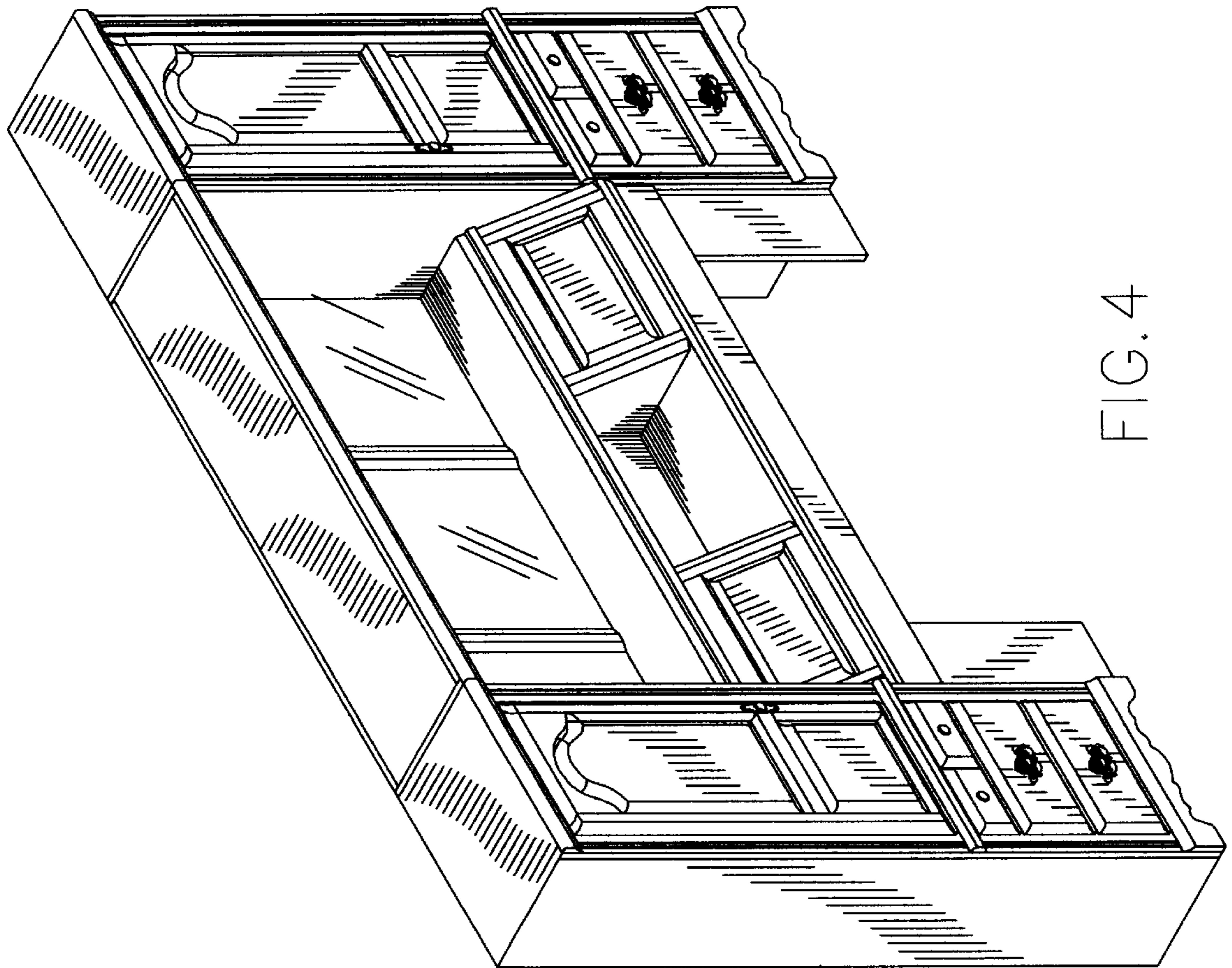


FIG. 4