



US00D412416S

# United States Patent [19]

Ritch et al.

[11] Patent Number: **Des. 412,416**

[45] Date of Patent: **\*\* Aug. 3, 1999**

[54] **BASE**

[75] Inventors: **David J. Ritch**, Malibu; **Mark Saffell**, Manhattan Beach, both of Calif.

[73] Assignee: **Steelcase Inc.**, Grand Rapids, Mich.

[\*\*] Term: **14 Years**

[21] Appl. No.: **29/088,146**

[22] Filed: **May 15, 1998**

[51] **LOC (6) Cl.** ..... **06-06**

[52] **U.S. Cl.** ..... **D6/498; D6/366**

[58] **Field of Search** ..... D6/334, 364, 365, D6/366, 367, 498, 500, 501, 502; 248/188, 188.1, 188.7, 188.8

[56] **References Cited**

**U.S. PATENT DOCUMENTS**

- D. 192,320 3/1962 Barga et al. .... D6/498
- D. 192,635 4/1962 Anderson ..... D6/366
- D. 260,204 8/1981 Sapper ..... D6/366

- D. 272,204 1/1984 De Boer .
- D. 272,205 1/1984 De Boer .
- D. 296,394 6/1988 Chadwick et al. .... D6/366
- 3,982,785 9/1976 Ambasz .

*Primary Examiner*—Gary D. Watson  
*Attorney, Agent, or Firm*—Foley & Lardner

[57] **CLAIM**

The ornamental design for a base, as shown and described.

**DESCRIPTION**

FIG. 1 is a front perspective view of a base showing our new design.  
 FIG. 2 is a front elevation view of the base.  
 FIG. 3 is a rear elevation view of the base.  
 FIG. 4 is a left side elevation view of the base.  
 FIG. 5 is a right side elevation view of the base.  
 FIG. 6 is a top plan view of the base; and,  
 FIG. 7 is a bottom plan view of the base.  
 The broken line disclosure in the FIGURES is for illustrative purposes only and forms no part of the claimed design.

**1 Claim, 3 Drawing Sheets**

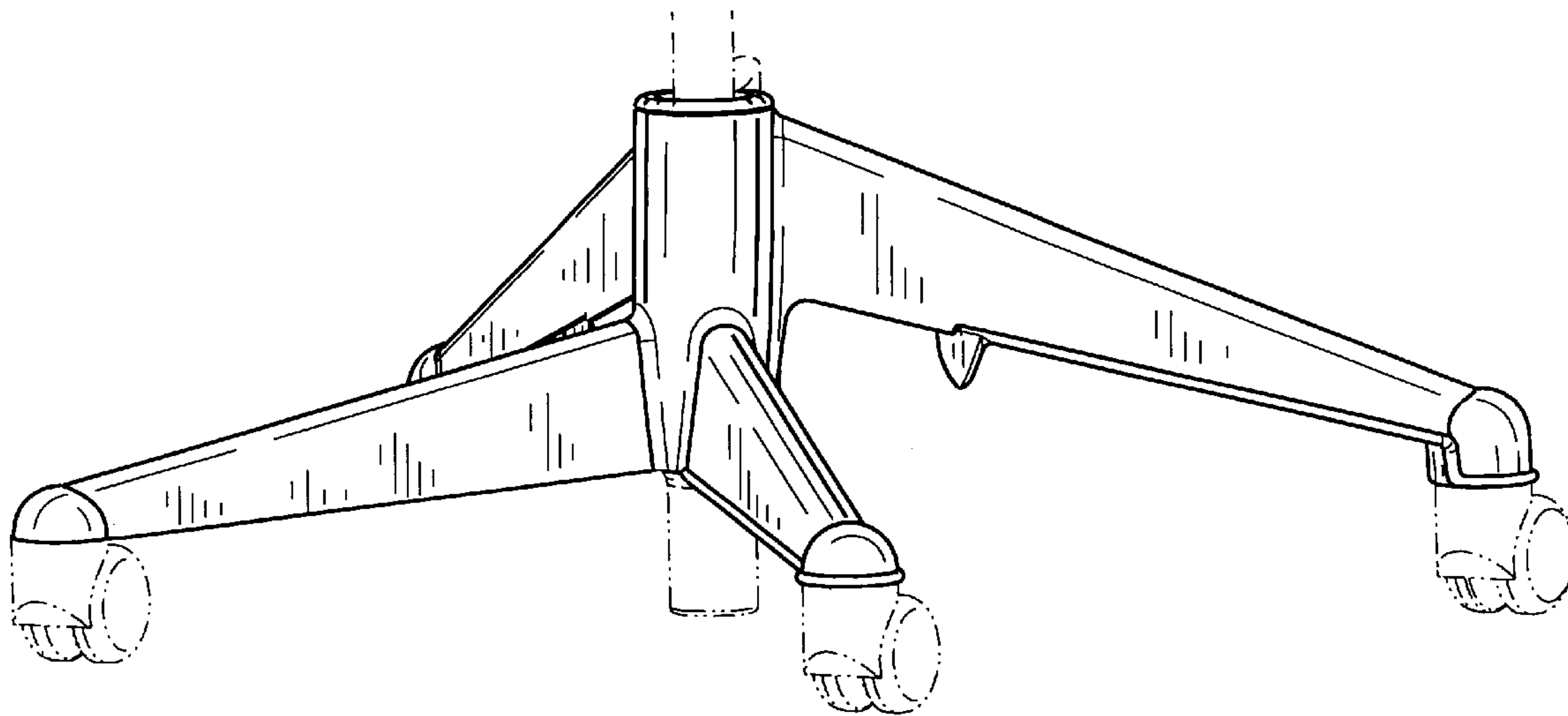


FIG. 1

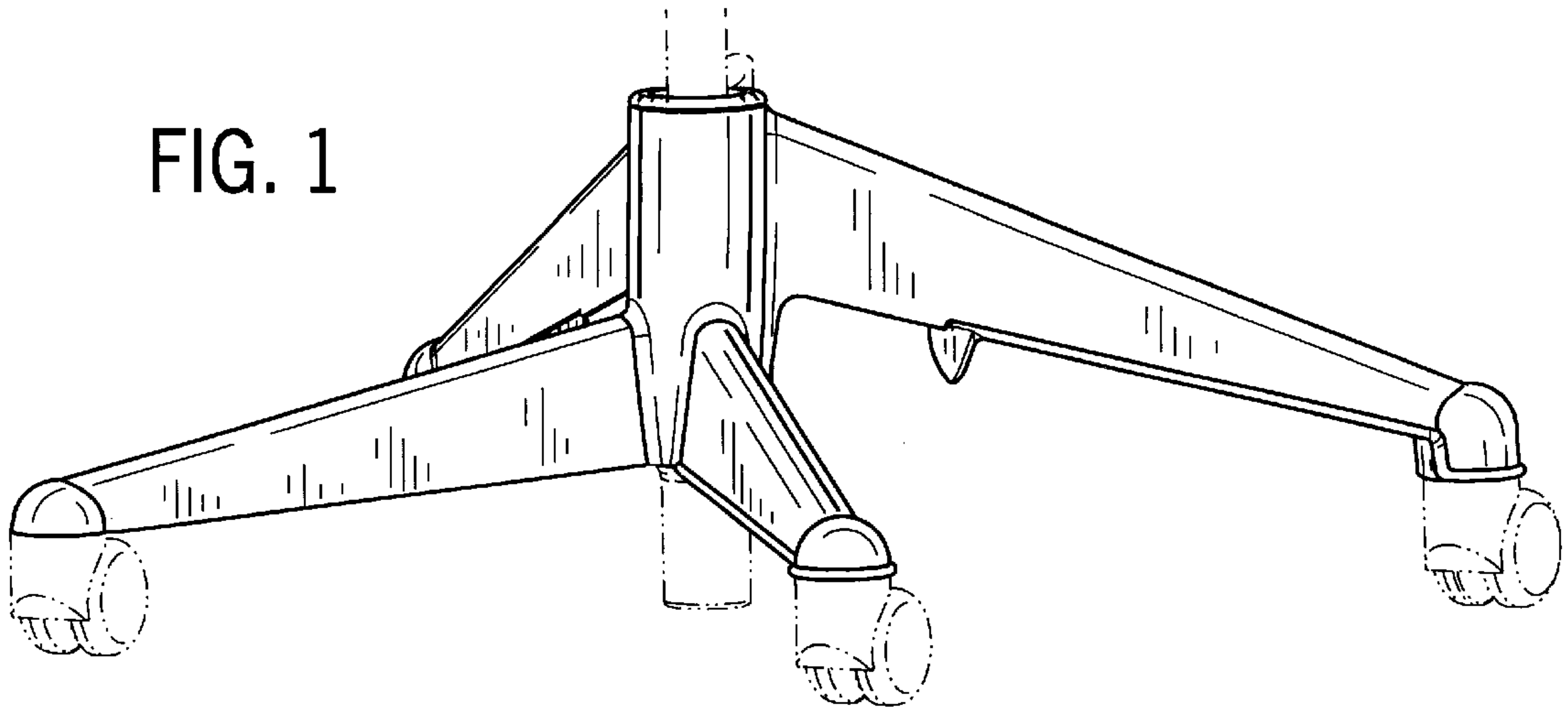


FIG. 2

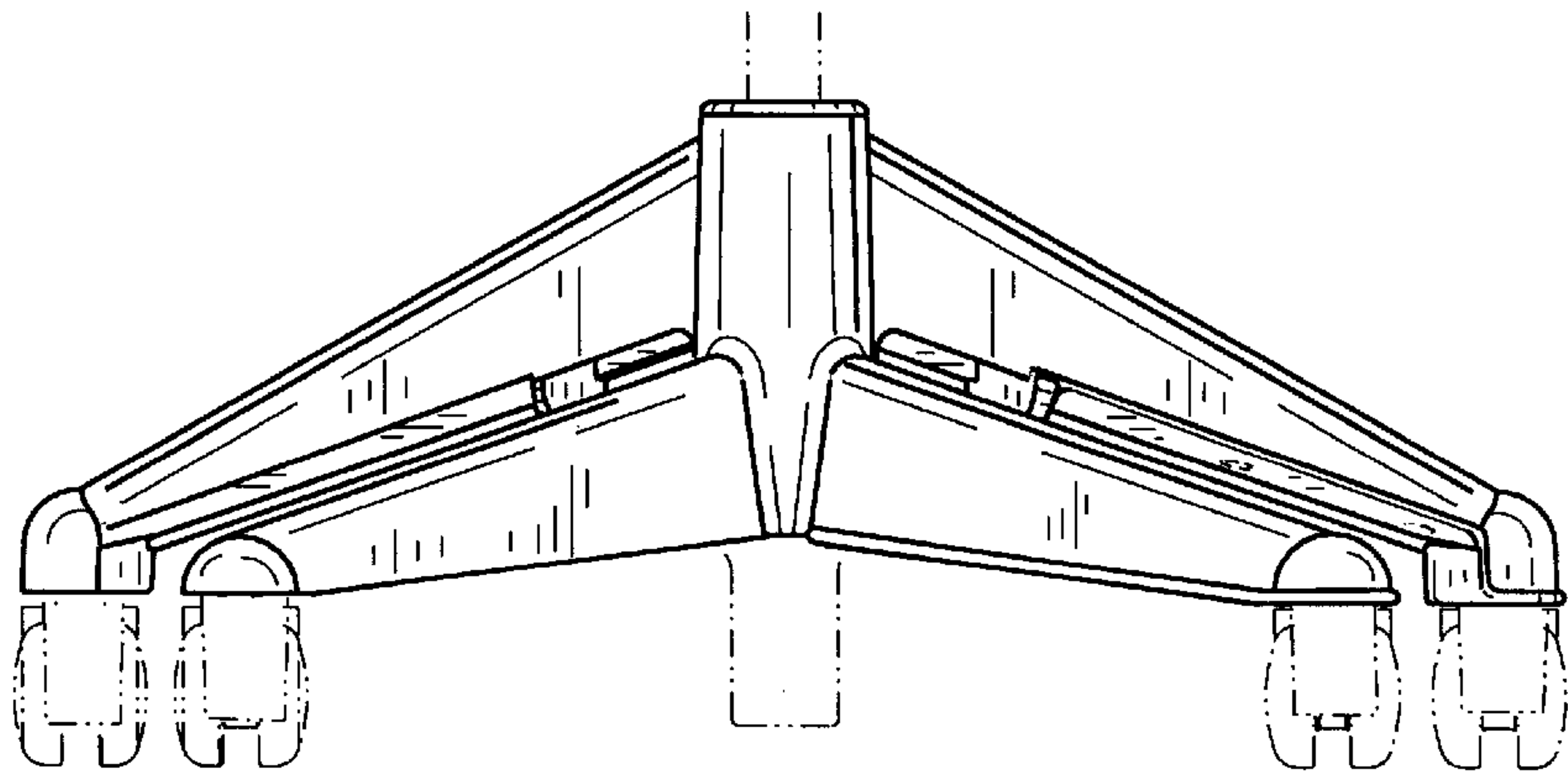


FIG. 3

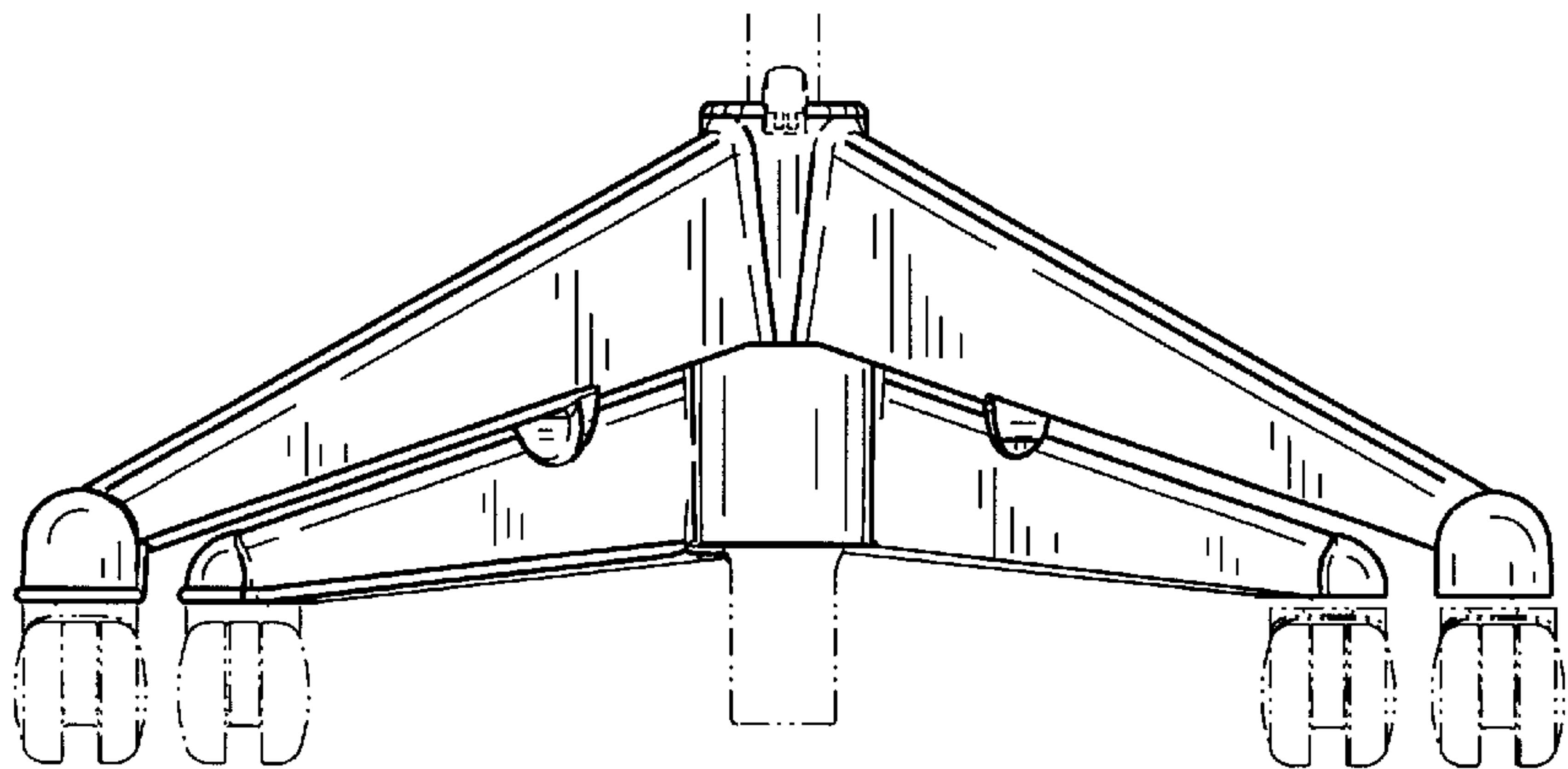


FIG. 4

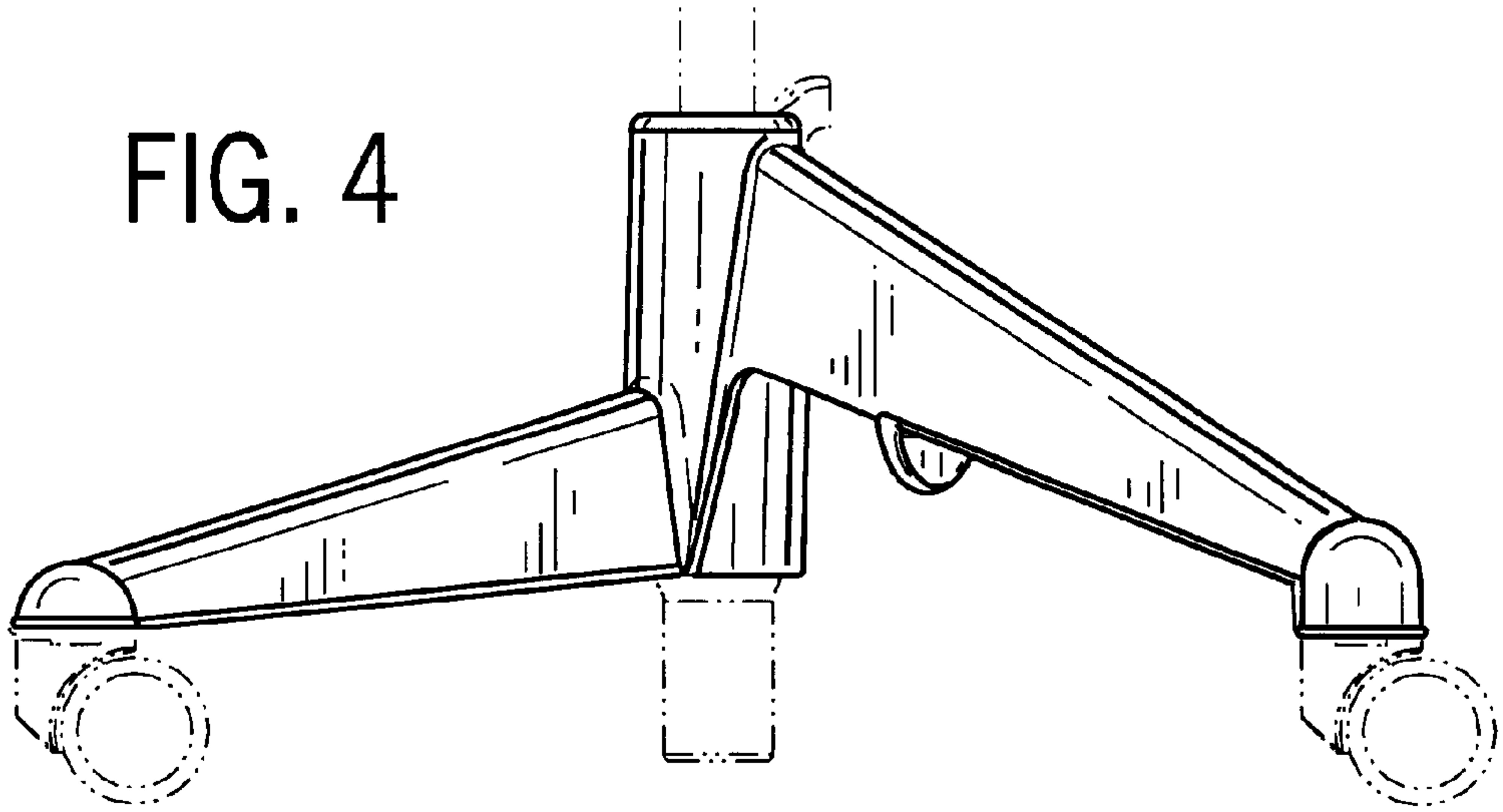


FIG. 5

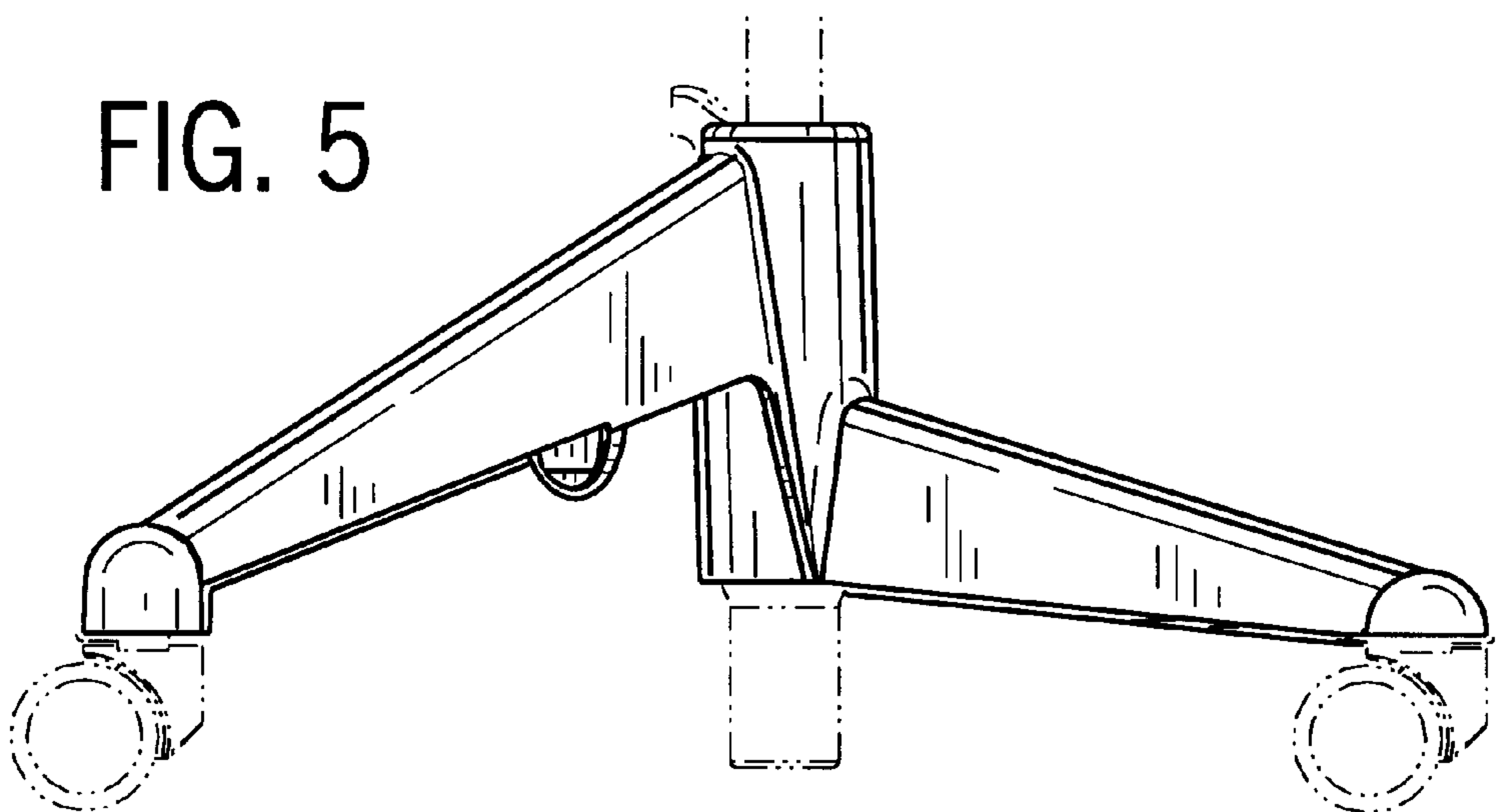


FIG. 6

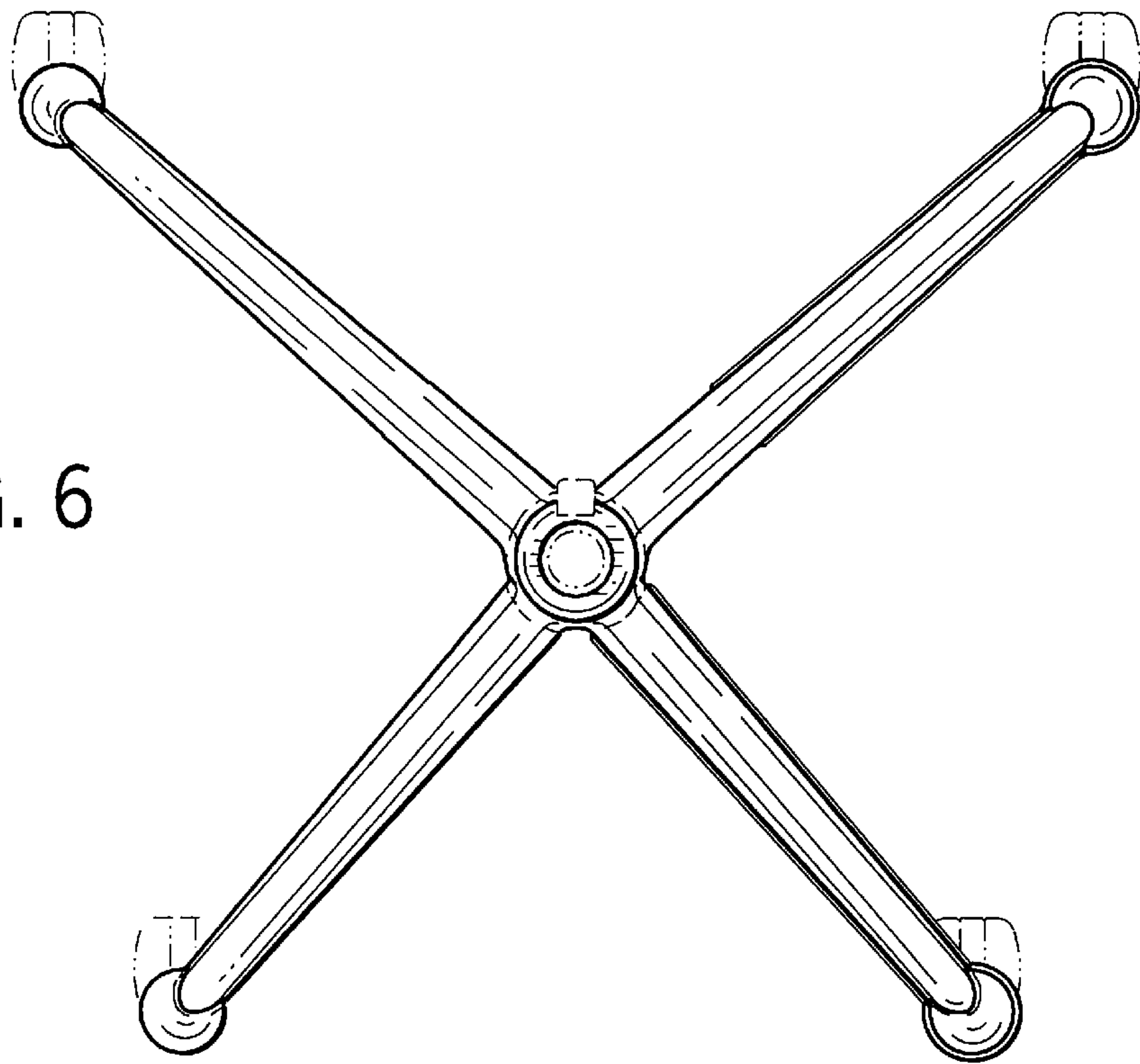


FIG. 7

