



US00D412414S

United States Patent [19] Gingrich

[11] **Patent Number: Des. 412,414**

[45] **Date of Patent: ** Aug. 3, 1999**

[54] **MOBILE STORAGE RACK**

[75] Inventor: **Bryan Gingrich**, Holland, Mich.

[73] Assignee: **Haworth, Inc.**, Holland, Mich.

[**] Term: **14 Years**

[21] Appl. No.: **29/071,648**

[22] Filed: **Jun. 6, 1997**

[51] **LOC (6) Cl.** **06-04**

[52] **U.S. Cl.** **D6/449**

[58] **Field of Search** D6/462, 464, 465-468;
D34/12, 14, 17, 21, 20; 108/16, 28, 161,
149; 211/41.12, 1, 13.1, 86, 134, 135, 153,
180, 181.1, 182; 280/79.3, 47.35; 160/127

[56] **References Cited**

U.S. PATENT DOCUMENTS

D. 127,928	6/1941	Wellman .	
D. 197,159	12/1963	Nelson et al.	D80/9
D. 242,099	11/1976	Casey	D6/6
D. 262,423	12/1981	Alpert	D6/139
D. 269,215	5/1983	Caine	D34/17
D. 328,529	8/1992	Lenarczyk	D6/329
D. 382,122	8/1997	Thorp et al.	D6/332
420,668	2/1890	Wallace .	
540,503	6/1895	Loveland et al. .	
1,427,388	8/1922	Holley	211/1 X
2,726,913	12/1955	Freeman	280/47.35
3,304,683	2/1967	Ferreira	52/497
4,032,165	6/1977	Russell	280/79.3

OTHER PUBLICATIONS

Crossings, The Next Point of Origin, Haworth Furniture That Works catalog, Scaffold, 3-Section, p. 21, Nov. 1995. Etagair Collection—Das System brochure, Etagair GmbH, Jun. 30, 1994 (4 pages).

Primary Examiner—Doris V. Coles

Assistant Examiner—Linda Brooks

Attorney, Agent, or Firm—Flynn, Thiel, Boutell & Tanis, P.C.

[57] **CLAIM**

The ornamental design for a mobile storage rack, as shown and described.

DESCRIPTION

FIG. 1 is a front isometric view of the mobile storage rack embodying my design;

FIG. 2 is a front elevational view of the mobile storage rack having a sheet-like fabric on a back side thereof;

FIG. 3 is a left-side elevational view thereof, the right-side elevational view being a mirror image thereof;

FIG. 4 is a back elevational view thereof; and,

FIG. 5 is a top plan view thereof.

The material symbol illustrated partially on the screen element in FIGS. 1, 2 and 4 is understood to extend across the entire surface of the screen element.

The bottom of the horizontal support surface is flat and unornamented.

1 Claim, 5 Drawing Sheets

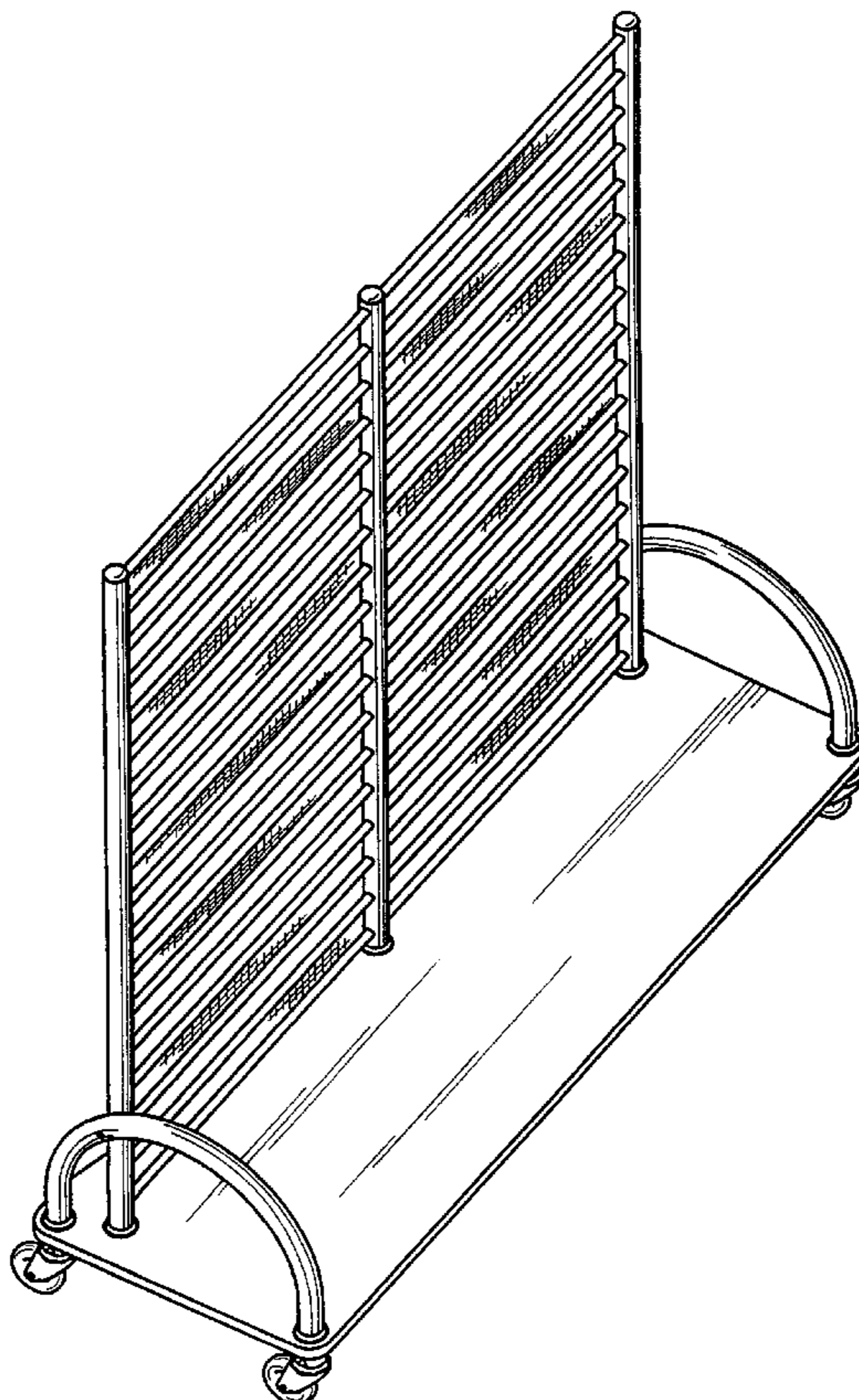


FIG. 1

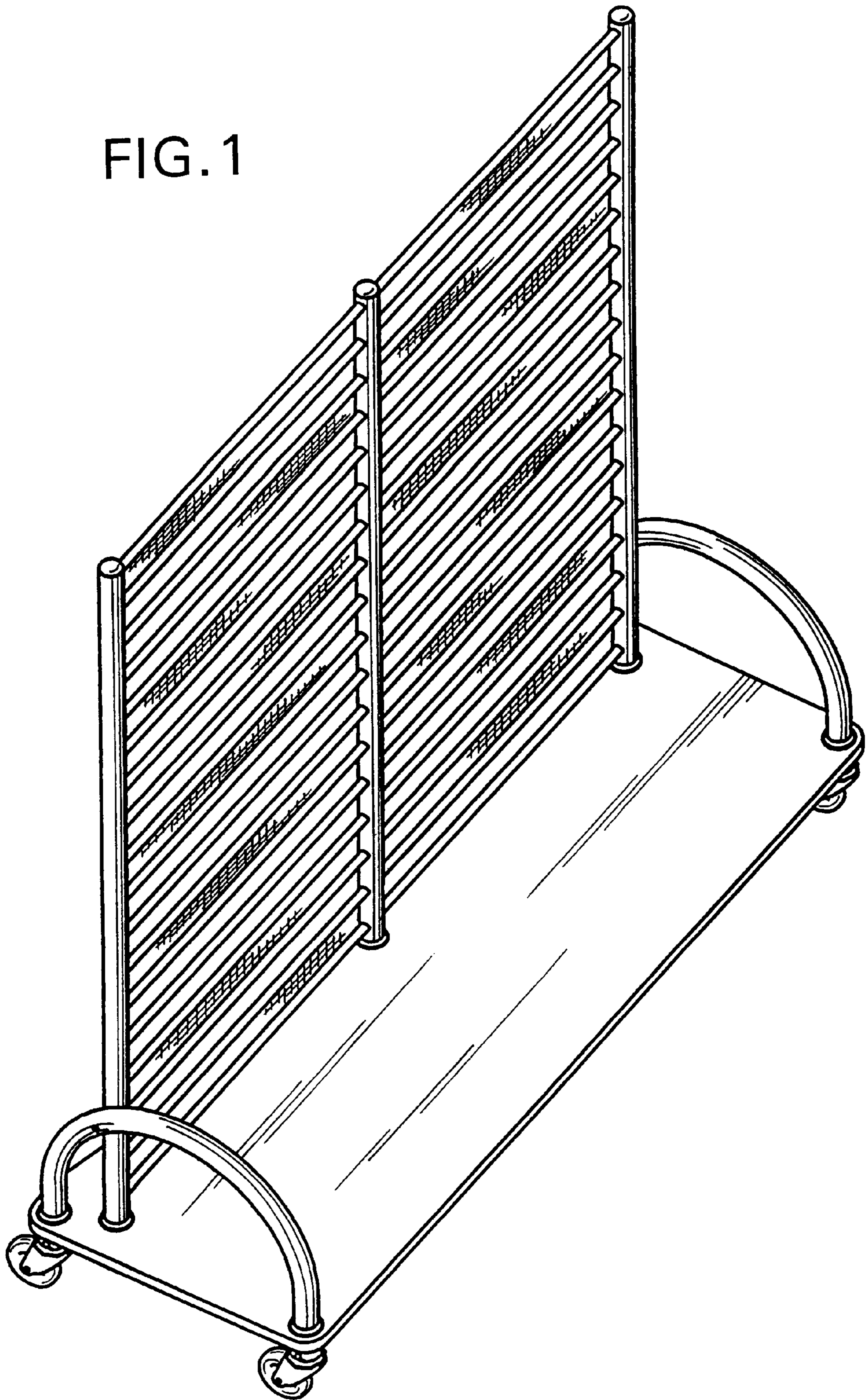
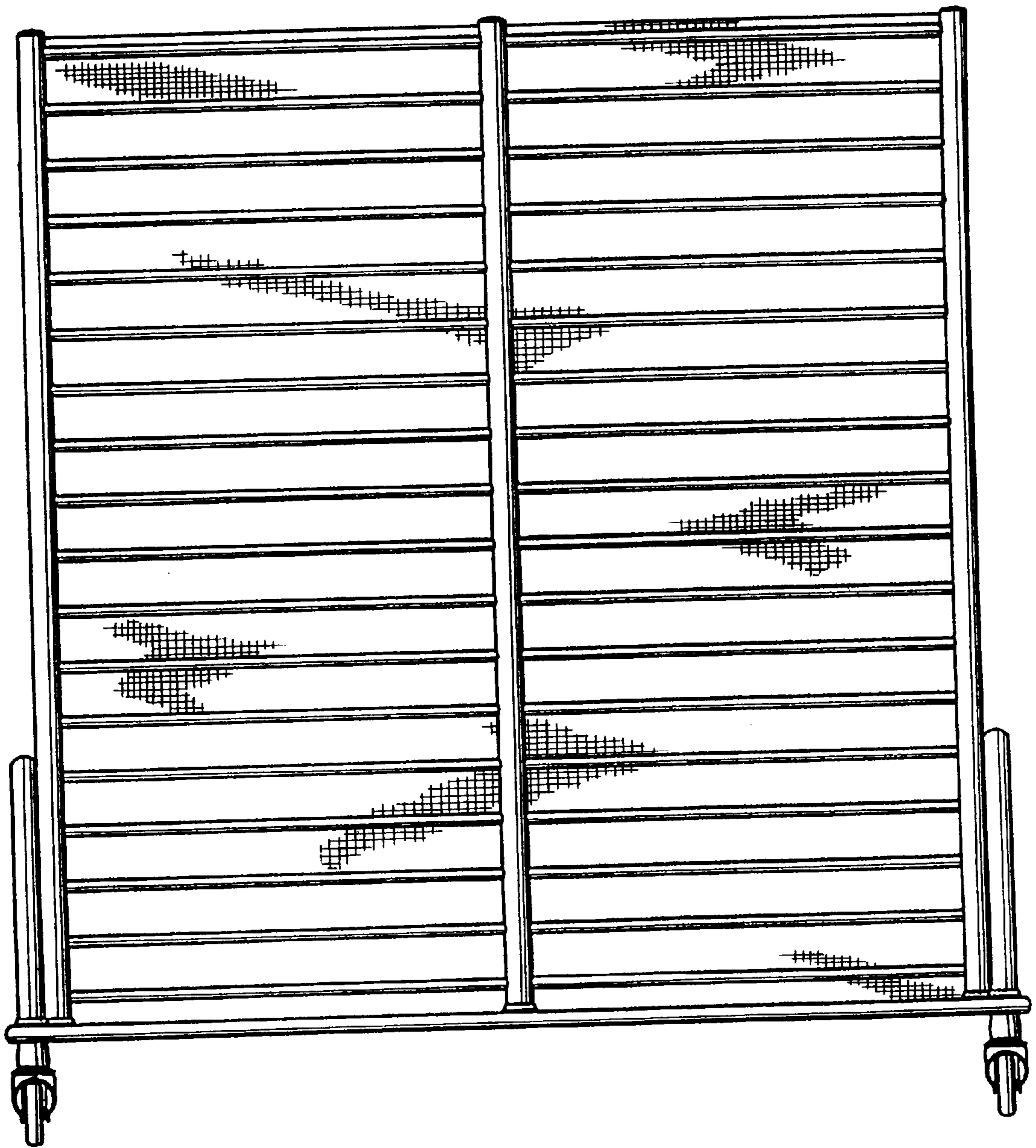


FIG. 2



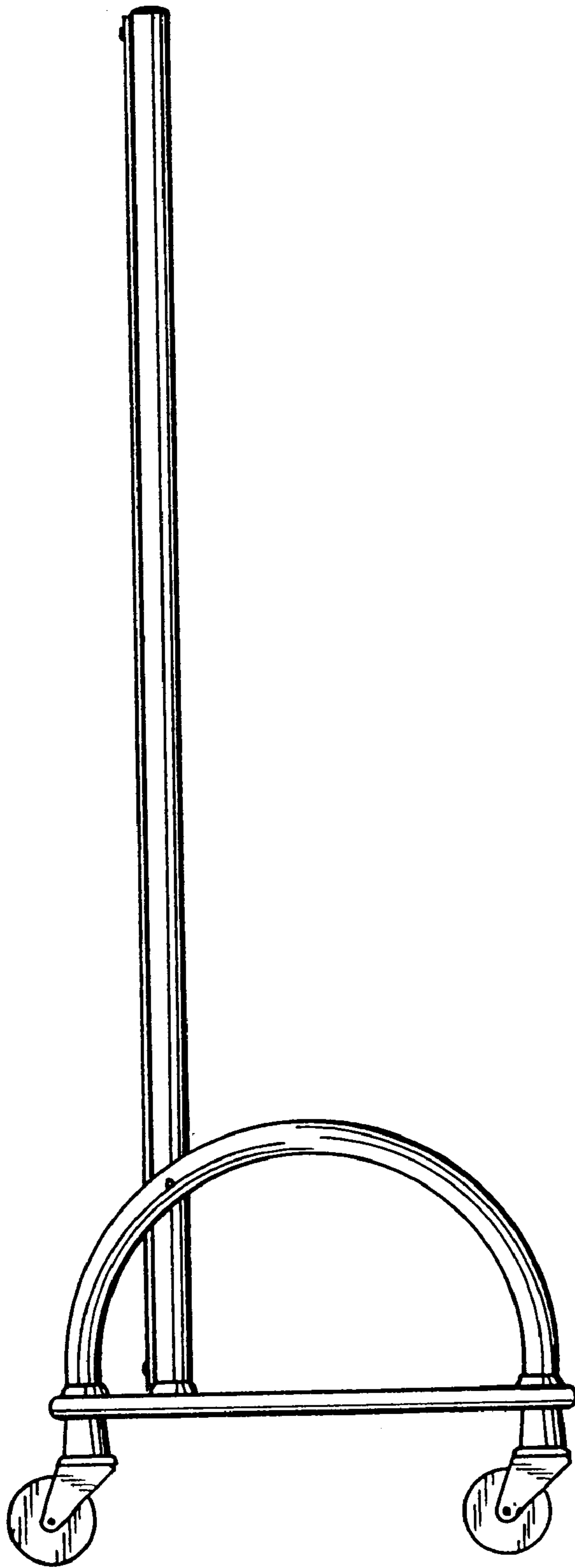
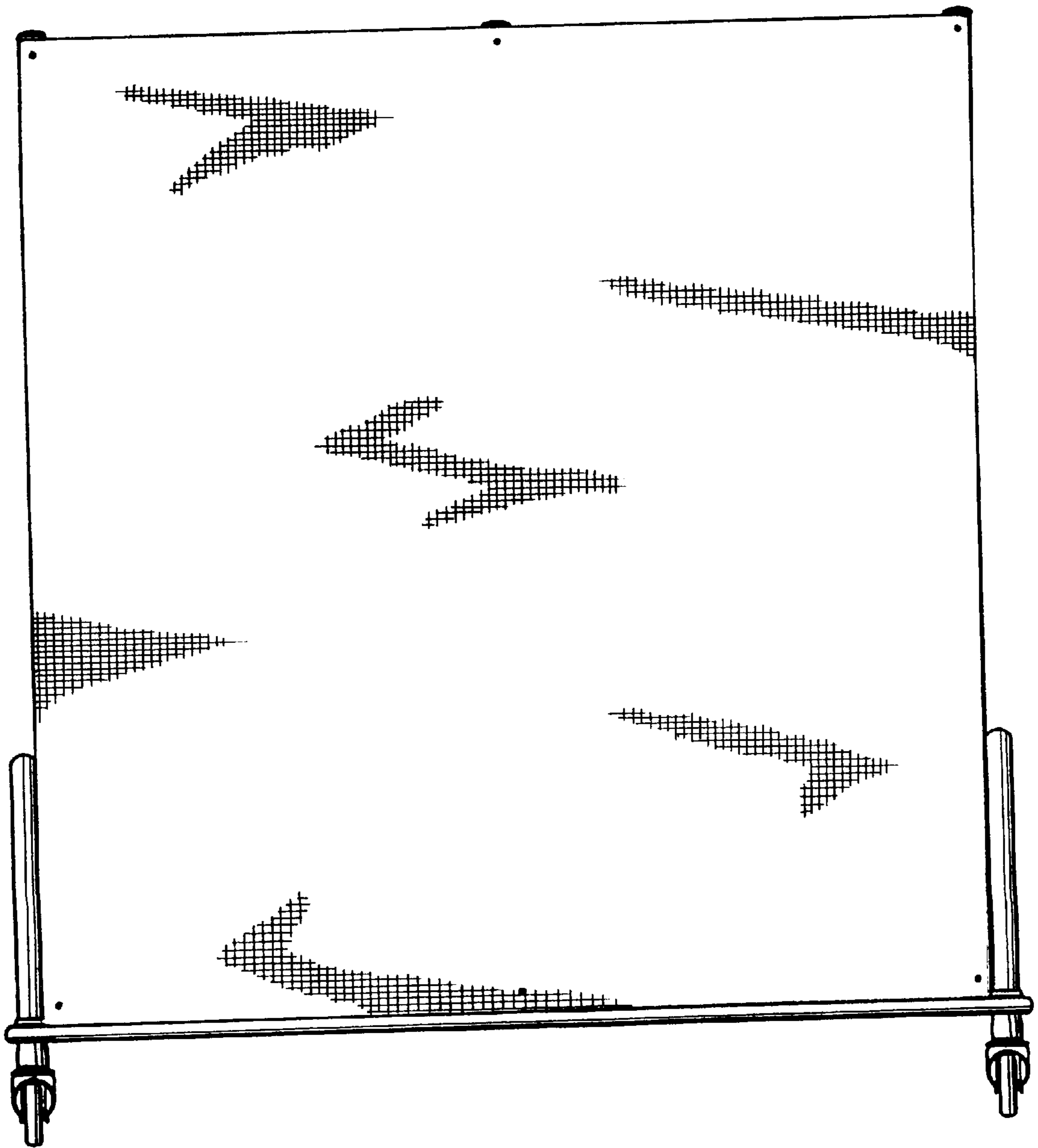


FIG. 3

FIG. 4



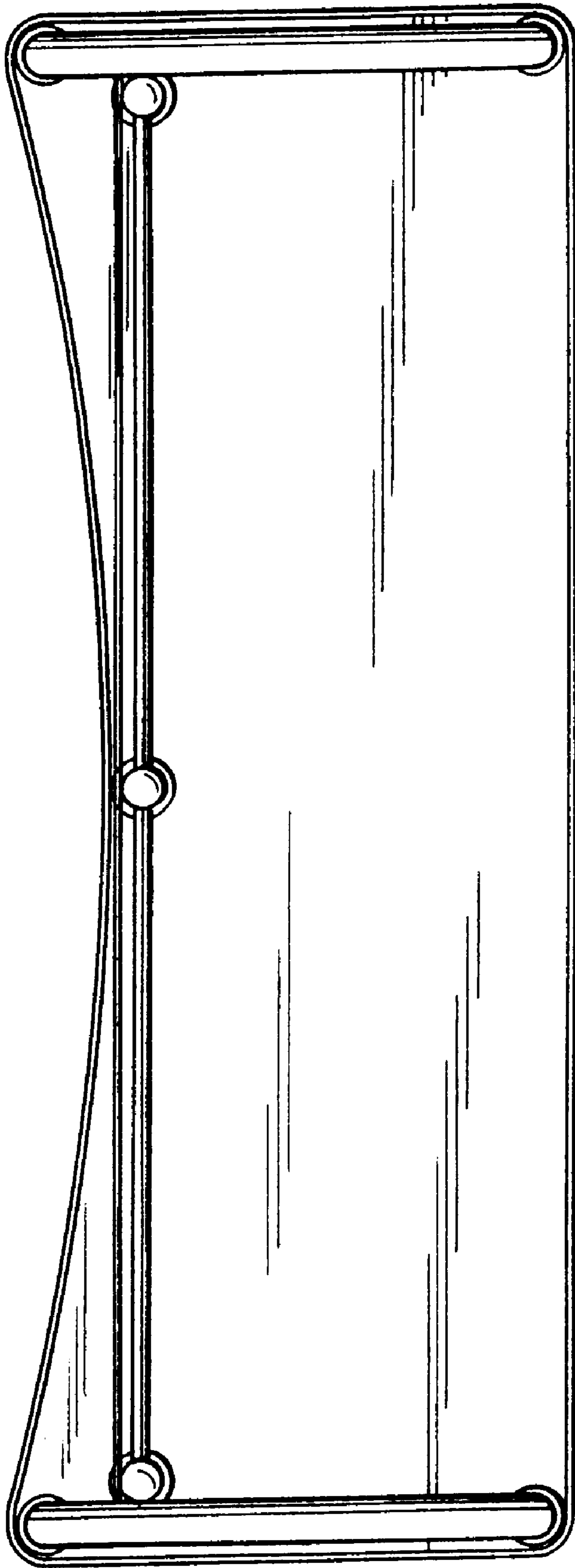


FIG. 5