



US00D412406S

**United States Patent** [19]  
**Stumpf et al.**

[11] **Patent Number: Des. 412,406**  
[45] **Date of Patent: \*\* Aug. 3, 1999**

[54] **ROCKING CHAIR**

[75] Inventors: **William E. Stumpf; Jean Francois Gomree; Jeffrey A. Weber**, all of Minneapolis, Minn.

[73] Assignee: **Herman Miller Inc.**, Zeeland, Mich.

[\*\*] Term: **14 Years**

[21] Appl. No.: **29/088,766**

[22] Filed: **Jun. 1, 1998**

[51] **LOC (6) Cl.** ..... **06-01**

[52] **U.S. Cl.** ..... **D6/348**

[58] **Field of Search** ..... D6/334, 344, 345, D6/348; 297/258.1, 271.6

[56] **References Cited**

**U.S. PATENT DOCUMENTS**

38,768	8/1907	Coffman	.....	D6/348
D. 100,540	7/1936	Carlson	.....	D6/348
D. 101,881	11/1936	McKane	.	
D. 166,961	6/1952	Giglio	.....	D6/348
D. 239,223	3/1976	Smith	.....	D6/348
D. 280,576	9/1985	Palmer	.....	D6/344
D. 340,813	11/1993	Liu	.....	D6/348

466,573	1/1892	Platto	.	
525,187	8/1894	Burkholder	.	
927,234	7/1909	Haley	.	
1,297,718	3/1919	Muller	.....	297/271.6
2,097,087	10/1937	McKane	.....	155/169
2,612,936	10/1952	Lansaw	.....	297/271.6
3,899,208	8/1975	Cirigliano	.....	297/258
3,909,064	9/1975	Payne, Jr. et al.	.....	297/271.6
4,218,093	8/1980	Gertz	.....	297/439
5,238,296	8/1993	Paul	.....	297/423.43

*Primary Examiner*—Doris V. Coles  
*Assistant Examiner*—Mimosa De  
*Attorney, Agent, or Firm*—Brinks Hofer Gilson & Lione

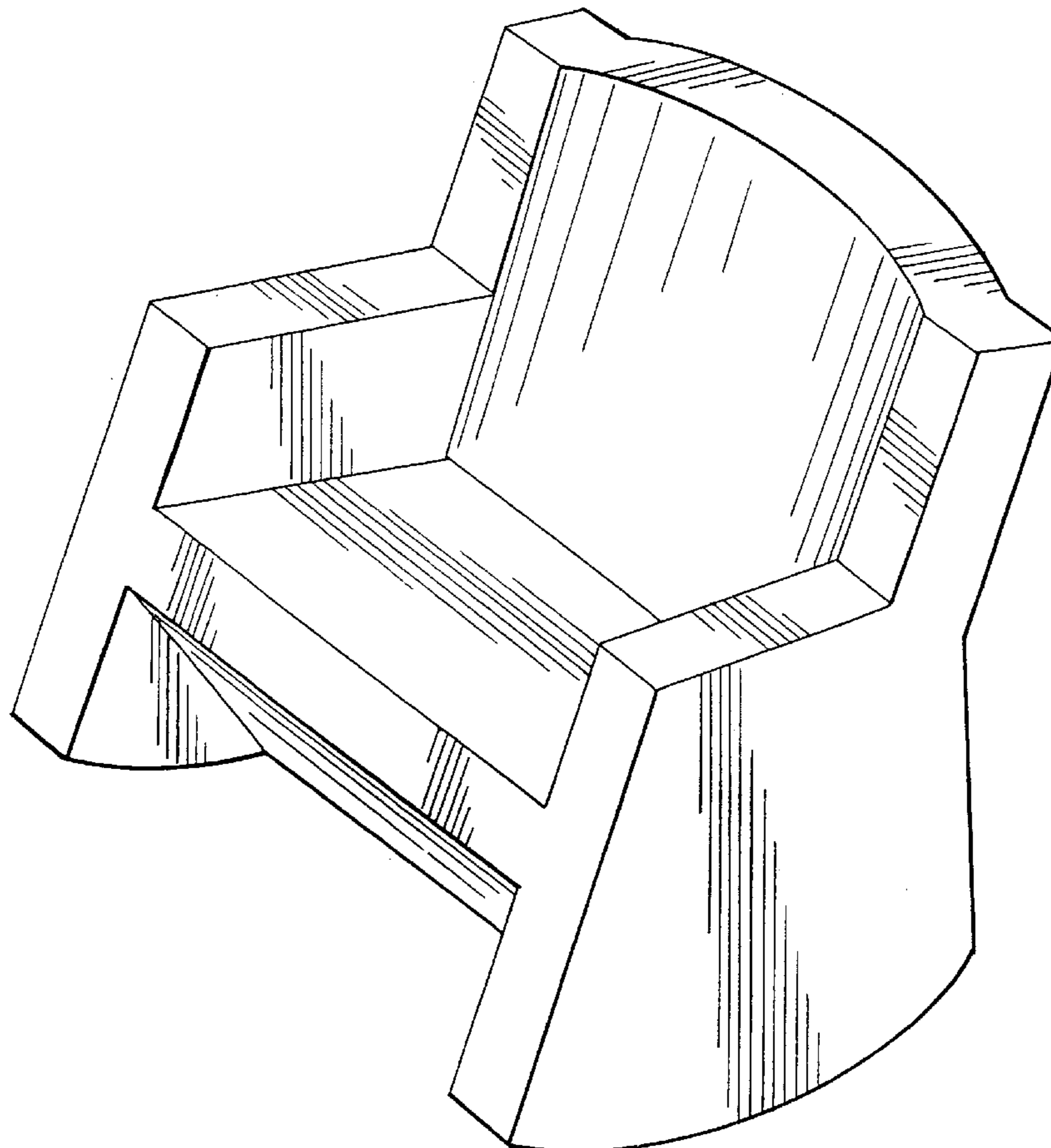
[57] **CLAIM**

The ornamental design for a rocking chair, as shown and described.

**DESCRIPTION**

FIG. 1 is a perspective view of a rocking chair;  
FIG. 2 is a side view thereof the opposite side being a mirror image thereof;  
FIG. 3 is a front view thereof;  
FIG. 4 is a rear view thereof;  
FIG. 5 is a top view thereof; and,  
FIG. 6 is a bottom view thereof.

**1 Claim, 3 Drawing Sheets**



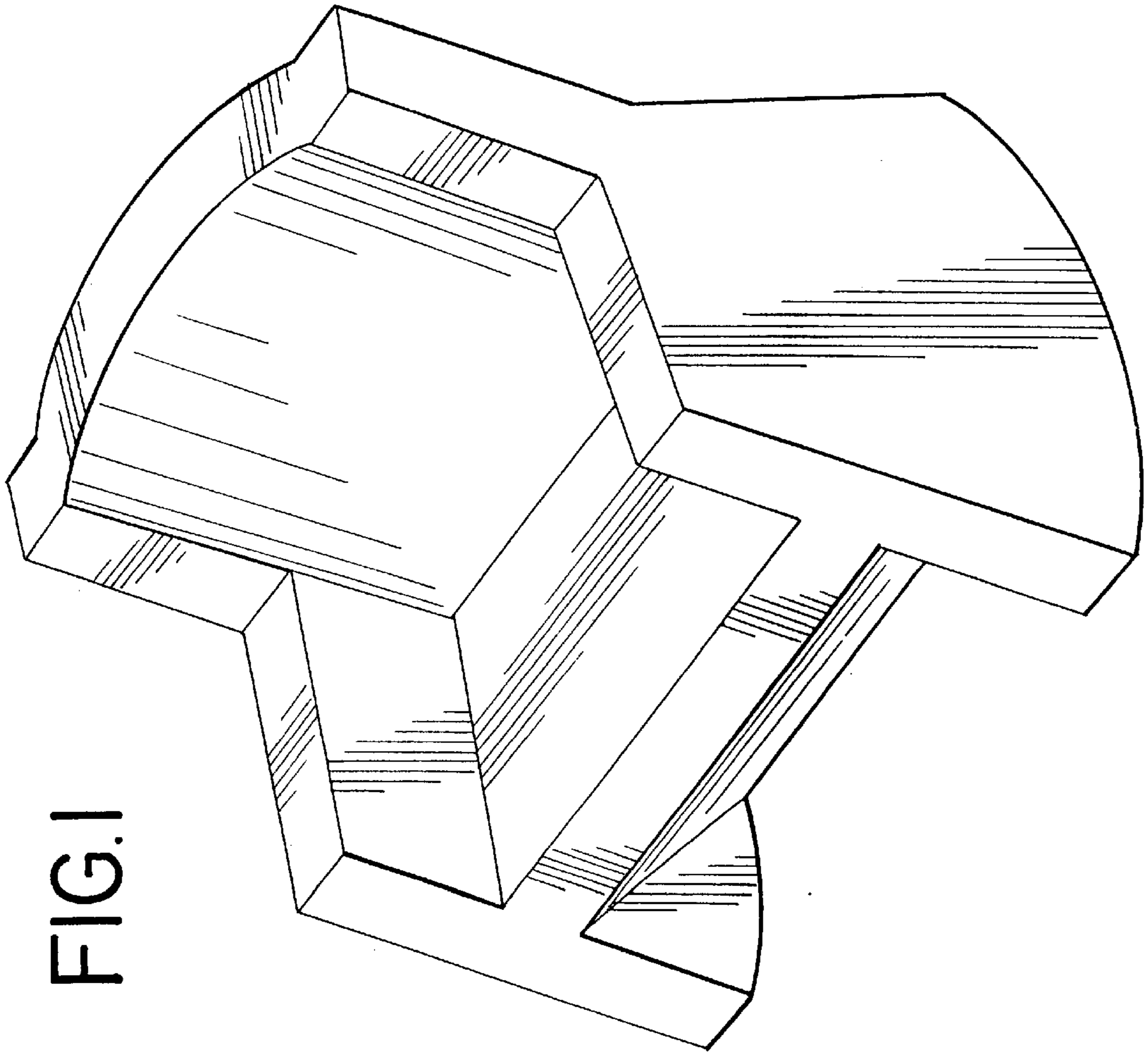


FIG. 1

FIG. 2

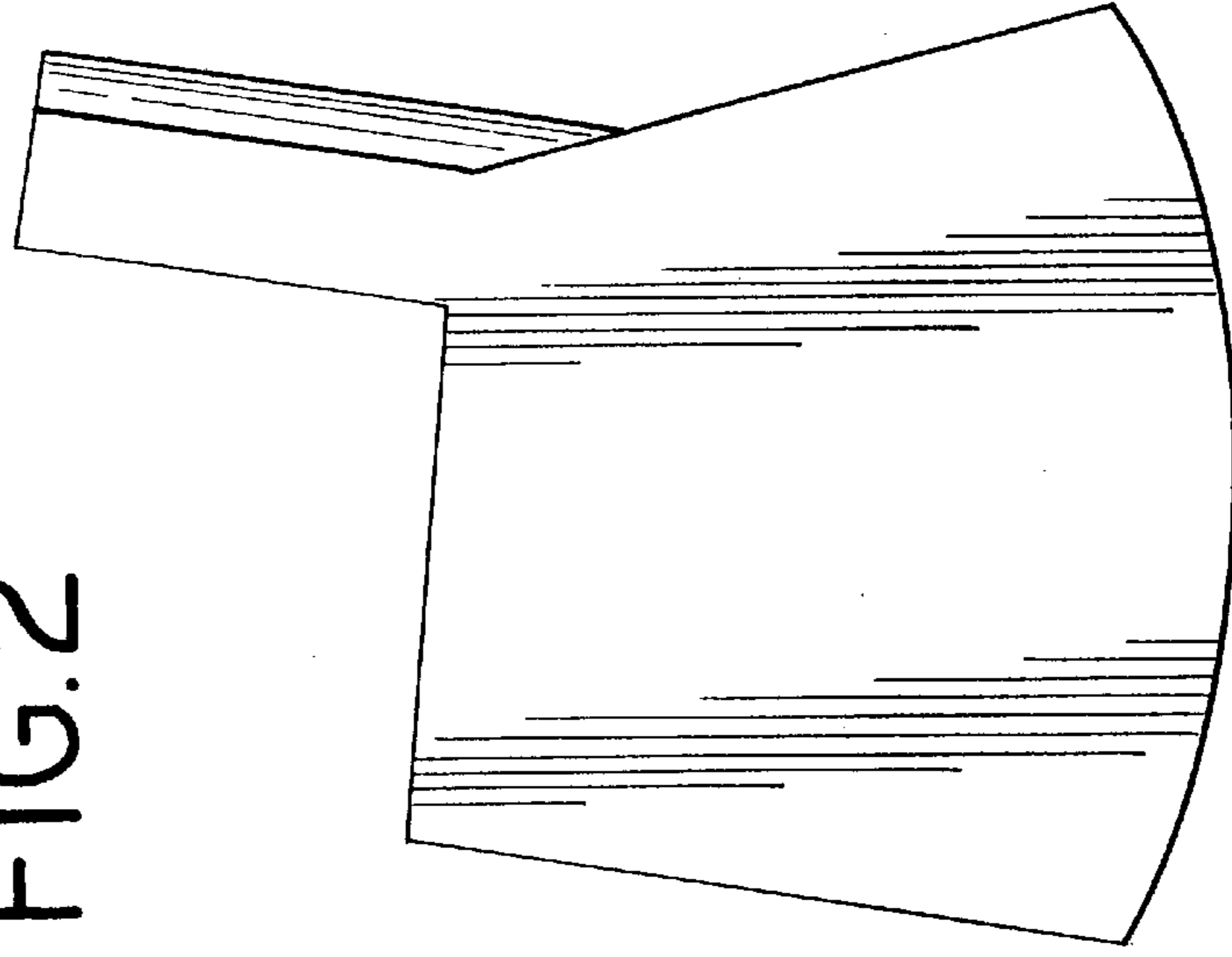


FIG.3

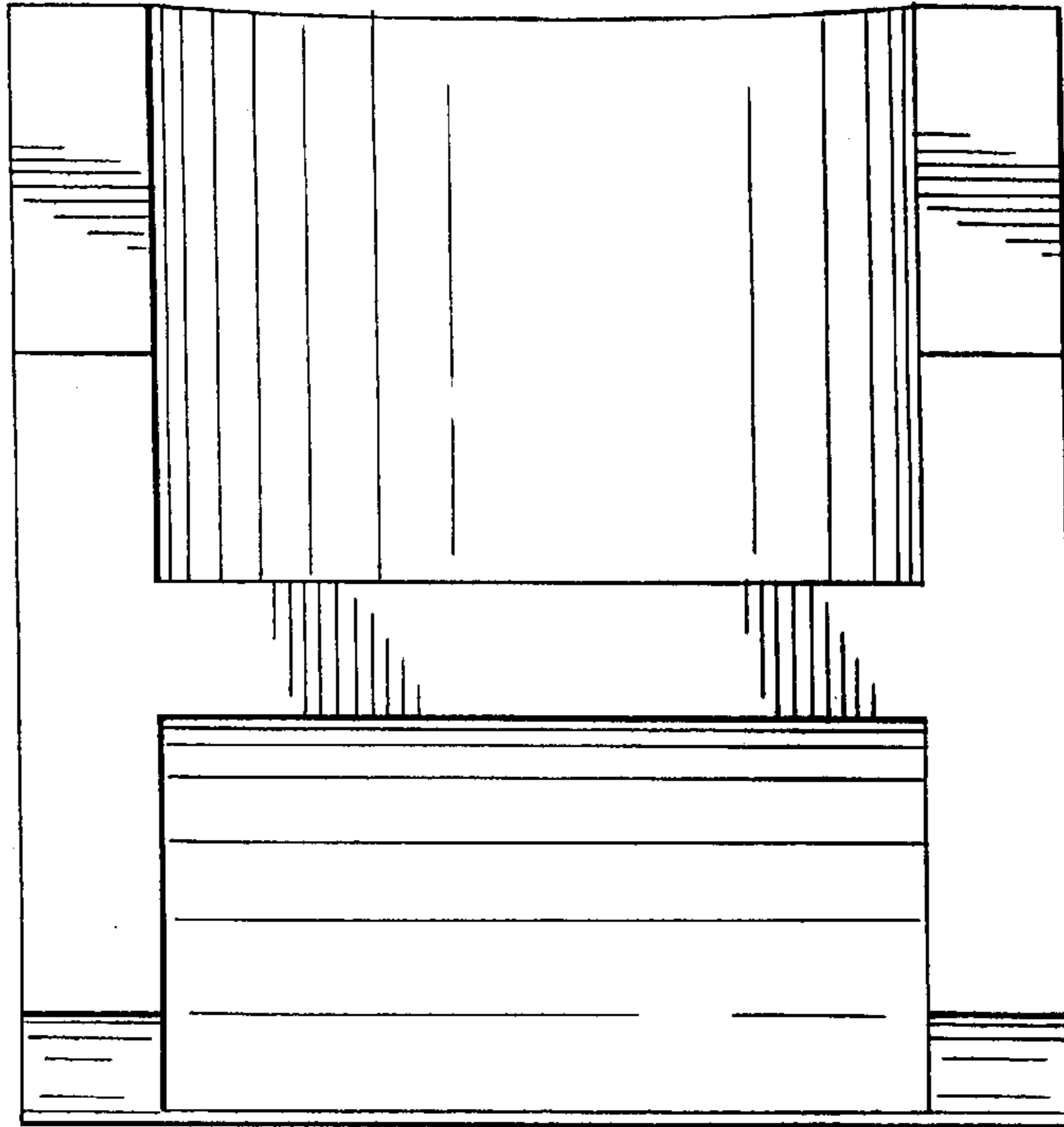


FIG.4

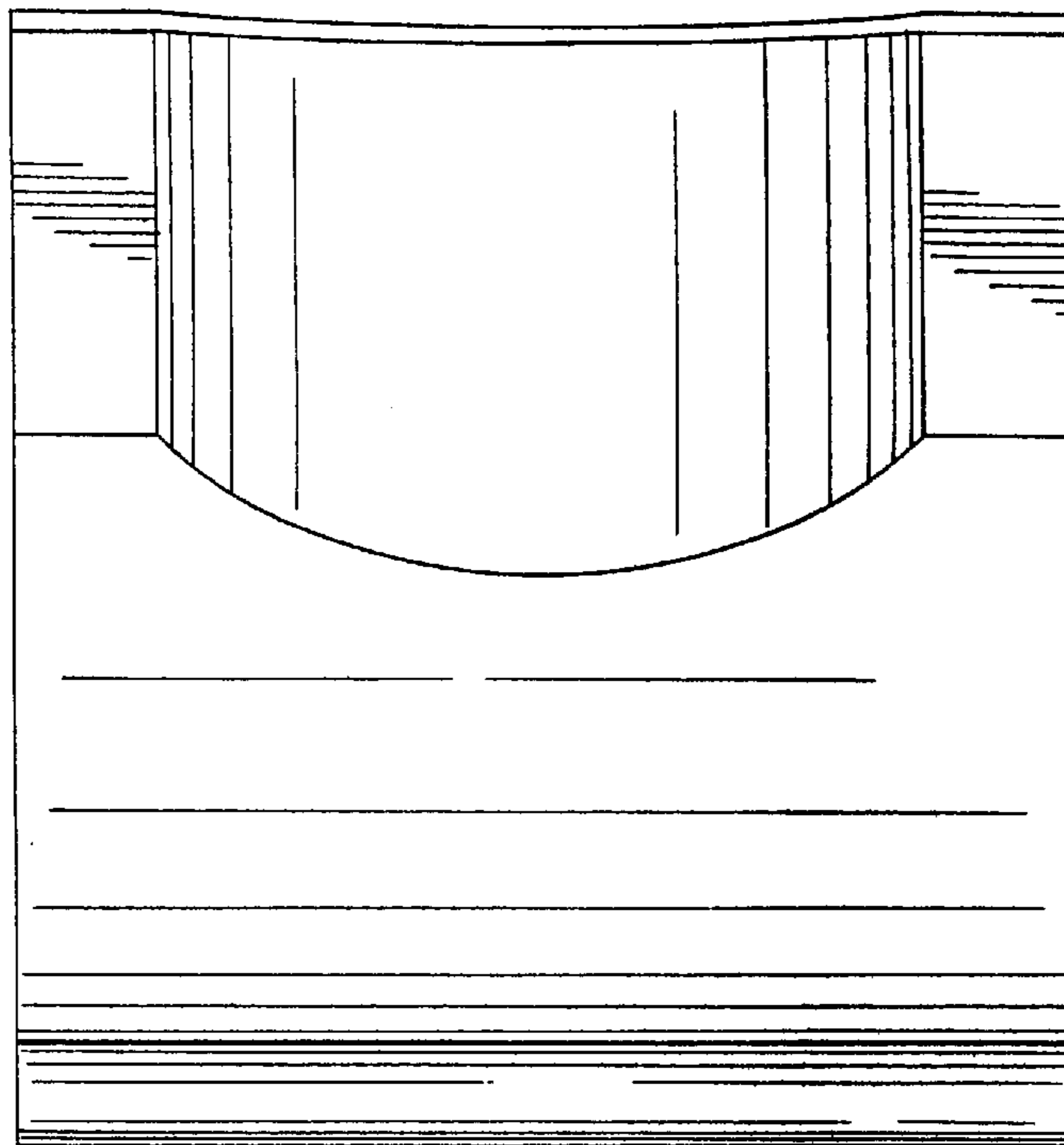


FIG.5

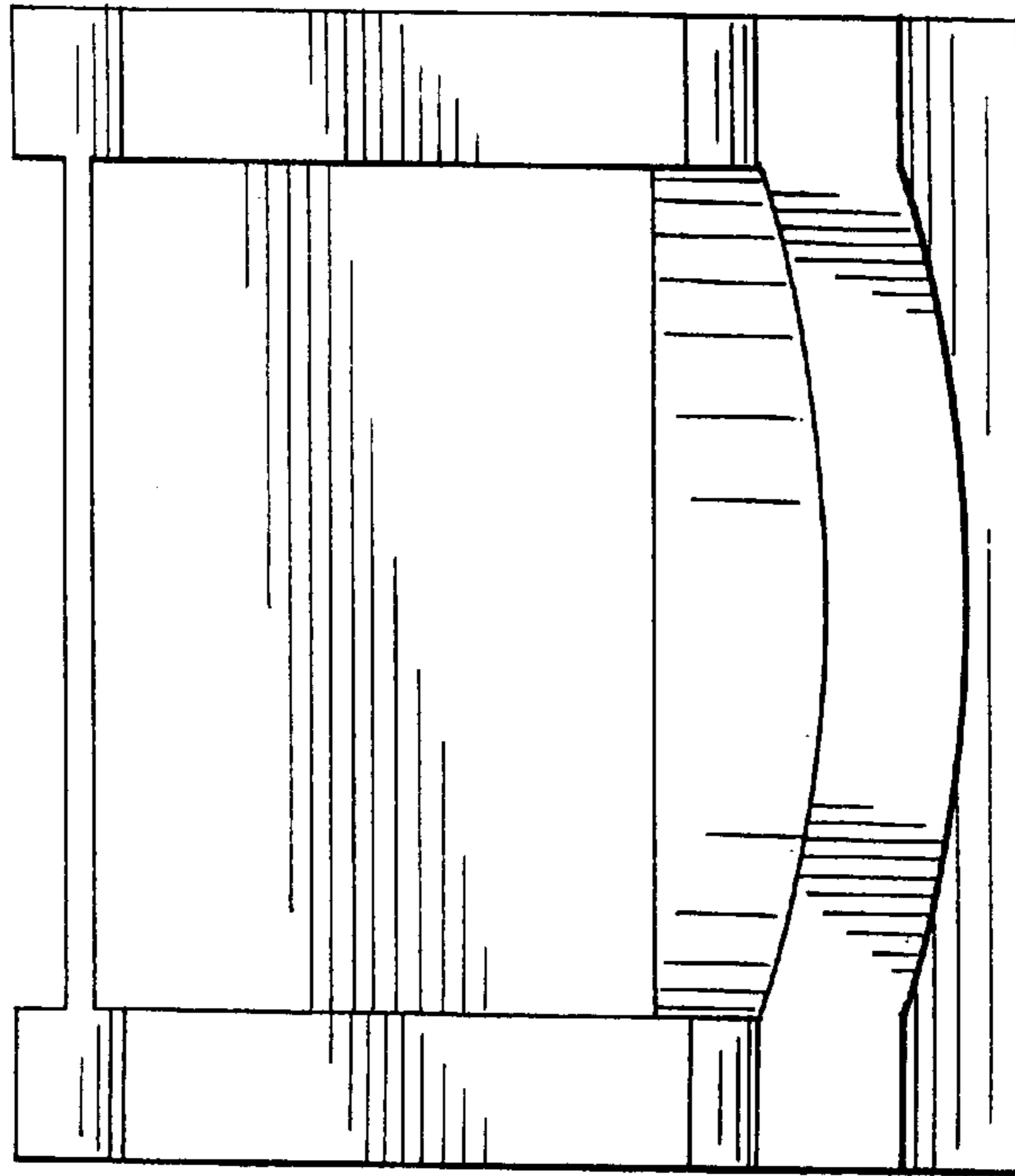


FIG.6

