



US00D412398S

United States Patent [19]
Watabe

[11] **Patent Number: Des. 412,398**

[45] **Date of Patent: ** Aug. 3, 1999**

[54] **WATCH AND JEWELRY BOX**

[75] Inventor: **Kunihiro Watabe**, Tokyo, Japan

[73] Assignee: **Kyowa Seikan Co., Ltd.**, Tokyo, Japan

[**] Term: **14 Years**

[21] Appl. No.: **29/093,612**

[22] Filed: **Sep. 15, 1998**

[51] **LOC (6) Cl.** **03-01**

[52] **U.S. Cl.** **D3/294; D3/903; D9/420;**
D9/423

[58] **Field of Search** **D3/272, 273, 294,**
D3/295, 903; D9/420, 423, 424, 425

[56] **References Cited**

U.S. PATENT DOCUMENTS

D. 100,178	6/1936	Shields	D9/420
D. 209,478	12/1967	Braun	D9/420
D. 259,396	6/1981	Shiffman	D9/420
D. 332,400	1/1993	Neff	D9/423
D. 333,264	2/1993	Kaplan	D9/420
D. 336,989	7/1993	Rentz	D9/423
D. 396,004	7/1998	Srinual	D9/423
D. 401,850	12/1998	Srinual	D9/423

Primary Examiner—Philip S. Hyder

Attorney, Agent, or Firm—Sughrue, Mion, Zinn, Macpeak & Seas, PLLC

[57] **CLAIM**

The ornamental design for a watch and jewelry box, as shown and described.

DESCRIPTION

FIG. 1 is a perspective view of a first embodiment of the watch and jewelry box showing my new and ornamental design;

FIG. 2 is a top plan view of the box shown in FIG. 1;

FIG. 3 is a front elevation view of the box shown in FIG. 1;

FIG. 4 is a left side elevation view of the box shown in FIG. 1, a right side elevation view being a mirror-image thereof;

FIG. 5 is a rear elevation view of the box shown in FIG. 1; FIG. 6 is a bottom plan view of the box shown in FIG. 1; FIG. 7 is a perspective view of the box shown in FIG. 1 in an open condition;

FIG. 8 is a perspective view of a second embodiment of the watch and jewelry box showing my new and ornamental design;

FIG. 9 is a top plan view of the box shown in FIG. 8;

FIG. 10 is a front elevation view of the box shown in FIG. 8;

FIG. 11 is a left side elevation view of the box shown in FIG. 8, a right side elevation view being a mirror-image thereof;

FIG. 12 is a rear elevation view of the box shown in FIG. 8;

FIG. 13 is a bottom plan view of the box shown in FIG. 8;

FIG. 14 is a perspective view of the box shown in FIG. 8 in an open condition;

FIG. 15 is a perspective view of a third embodiment of the watch and jewelry box showing my new and ornamental design;

FIG. 16 is a top plan view of the box shown in FIG. 15;

FIG. 17 is a front elevation view of the box shown in FIG. 15;

FIG. 18 is a left side elevation view of the box shown in FIG. 15, a right side elevation view being a mirror-image thereof;

FIG. 19 is a rear elevation view of the box shown in FIG. 15;

FIG. 20 is a bottom plan view of the box shown in FIG. 15;

FIG. 21 is a perspective view of the box shown in FIG. 15 in an open condition;

FIG. 22 is a perspective view of a fourth embodiment of the watch and jewelry box showing my new and ornamental design;

FIG. 23 is a top plan view of the box shown in FIG. 22;

FIG. 24 is a front elevation view of the box shown in FIG. 22;

FIG. 25 is a left side view of the box shown in FIG. 22, a right side elevation view being a mirror-image thereof;

FIG. 26 is a rear elevation view of the box shown in FIG. 22;

FIG. 27 is a bottom plan view of the box shown in FIG. 22; and,

FIG. 28 is a perspective view of the box shown in FIG. 22 in an open condition.

1 Claim, 20 Drawing Sheets

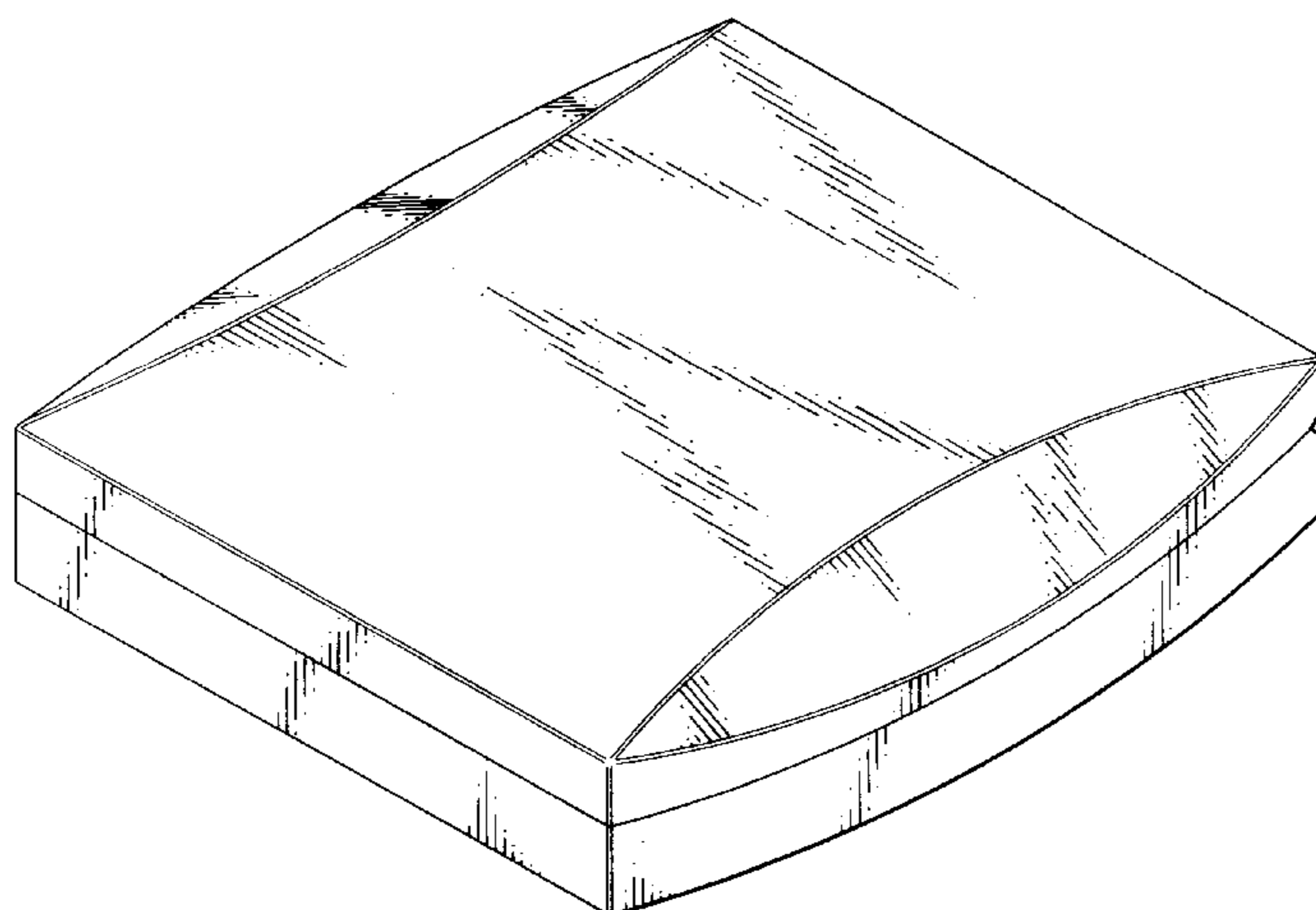


FIG. 1

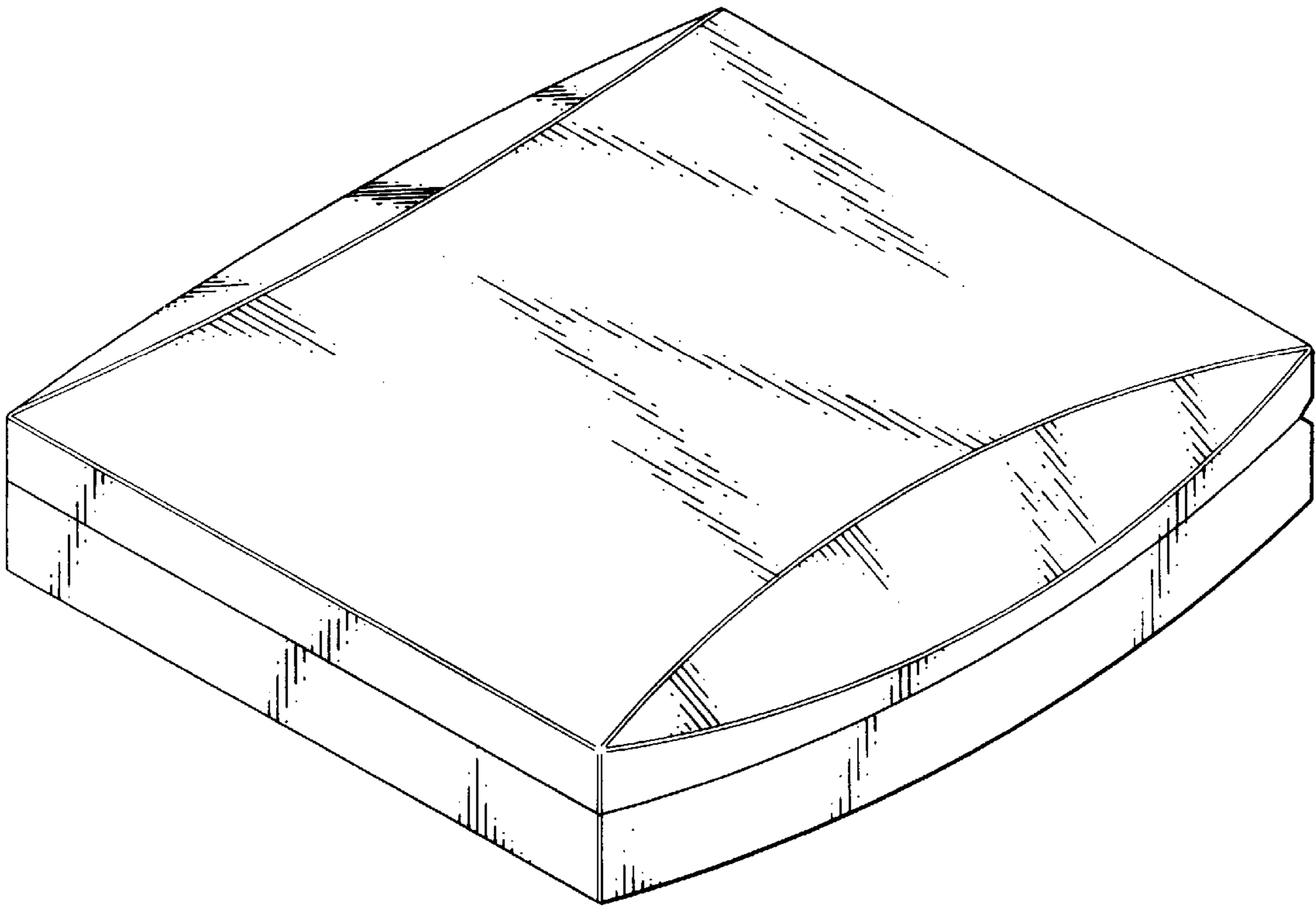


FIG. 2

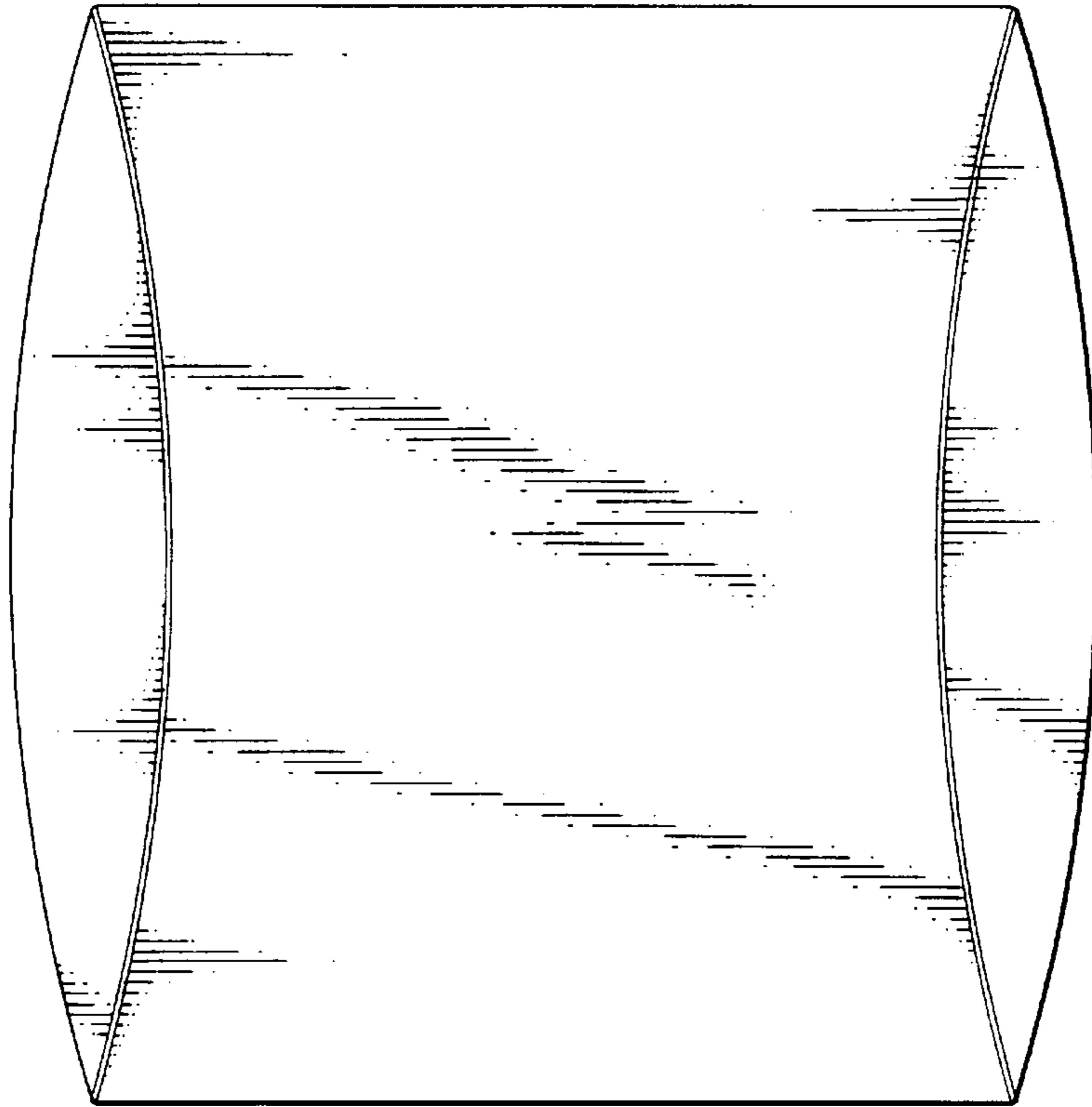


FIG. 3

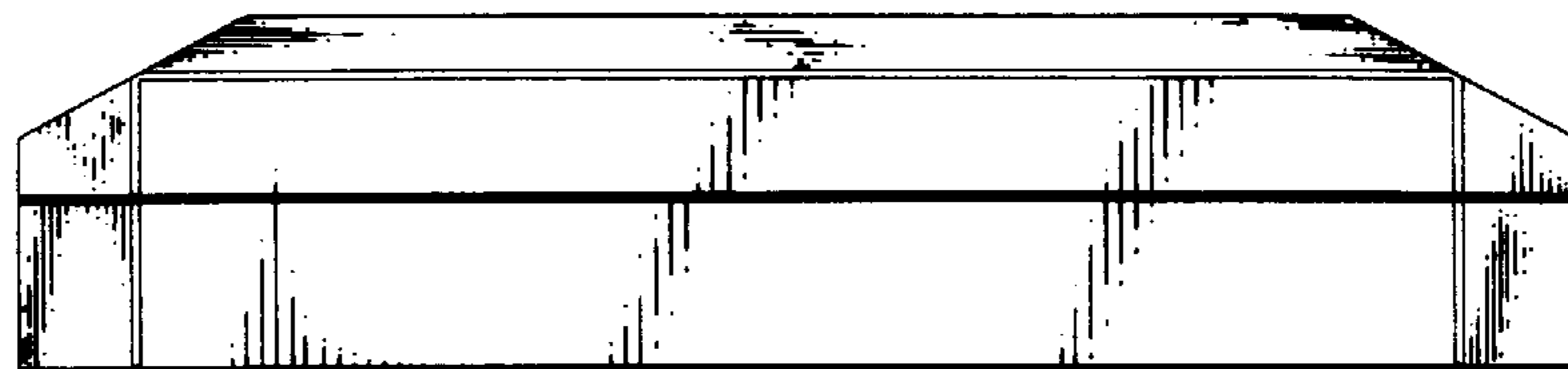


FIG. 4

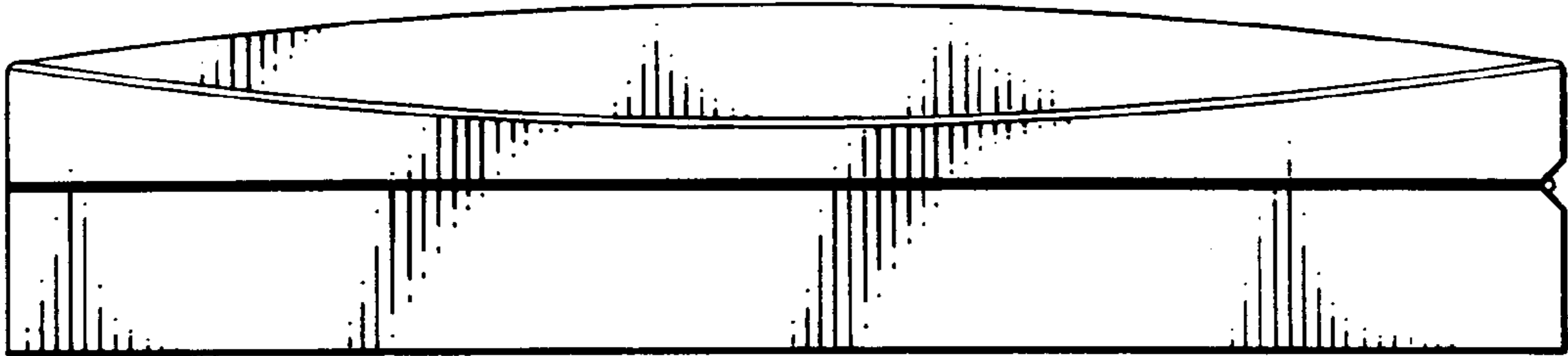


FIG. 5

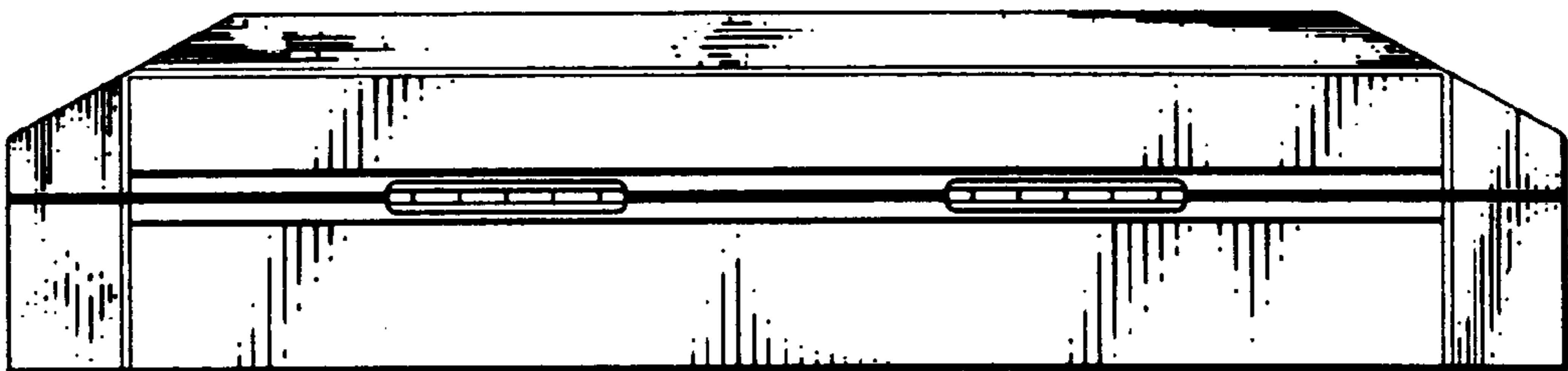


FIG. 6

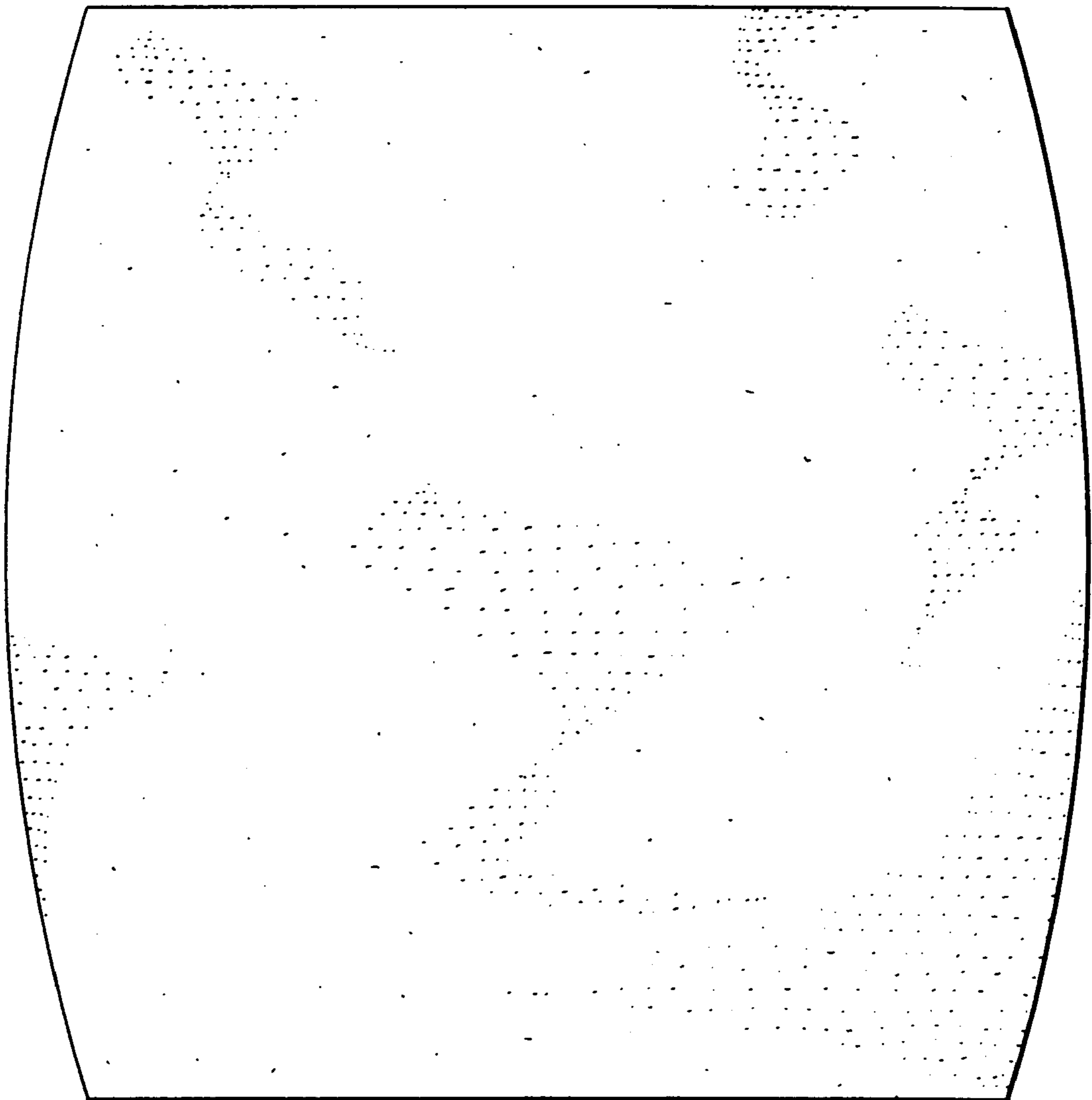


FIG. 7

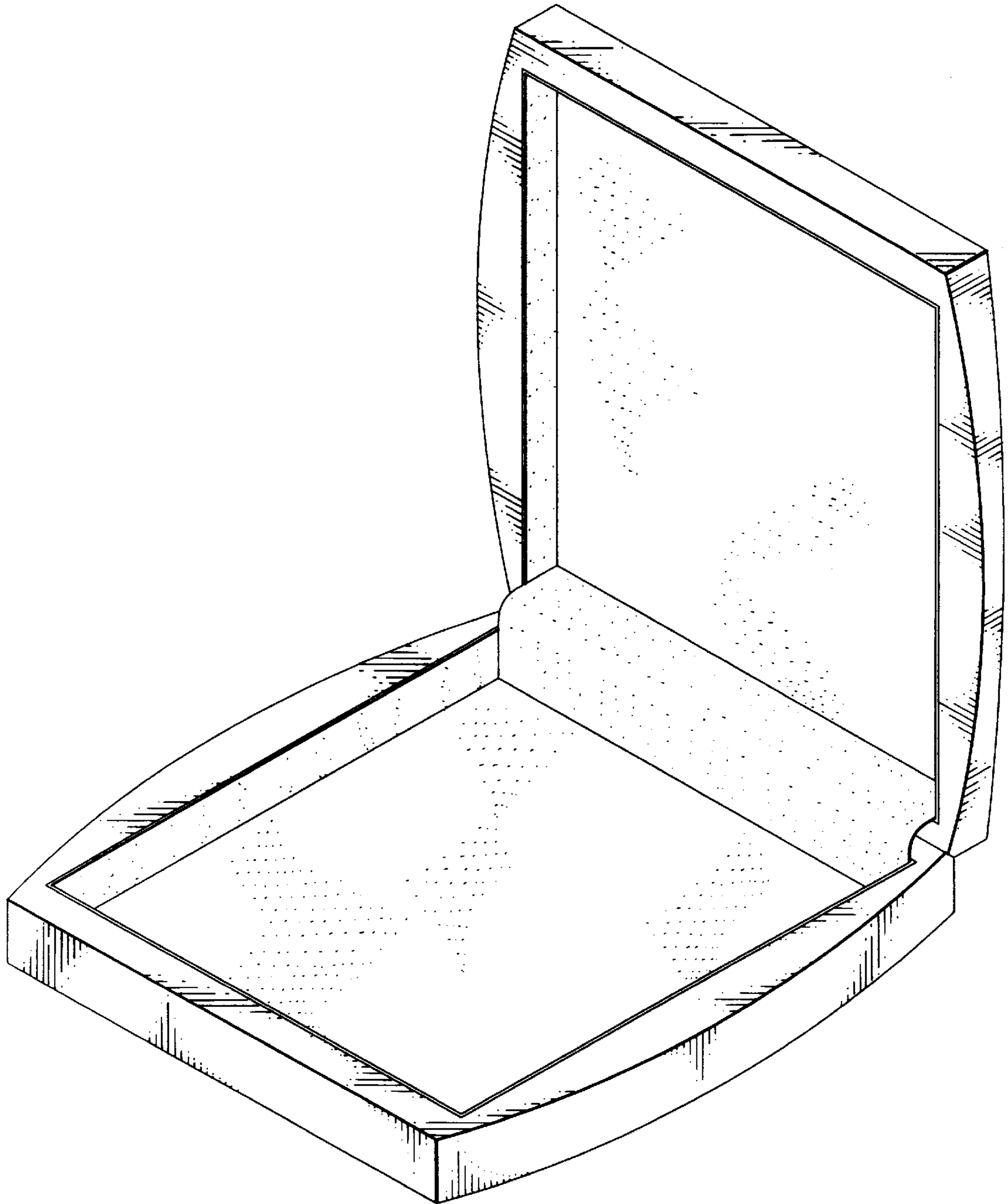


FIG. 8

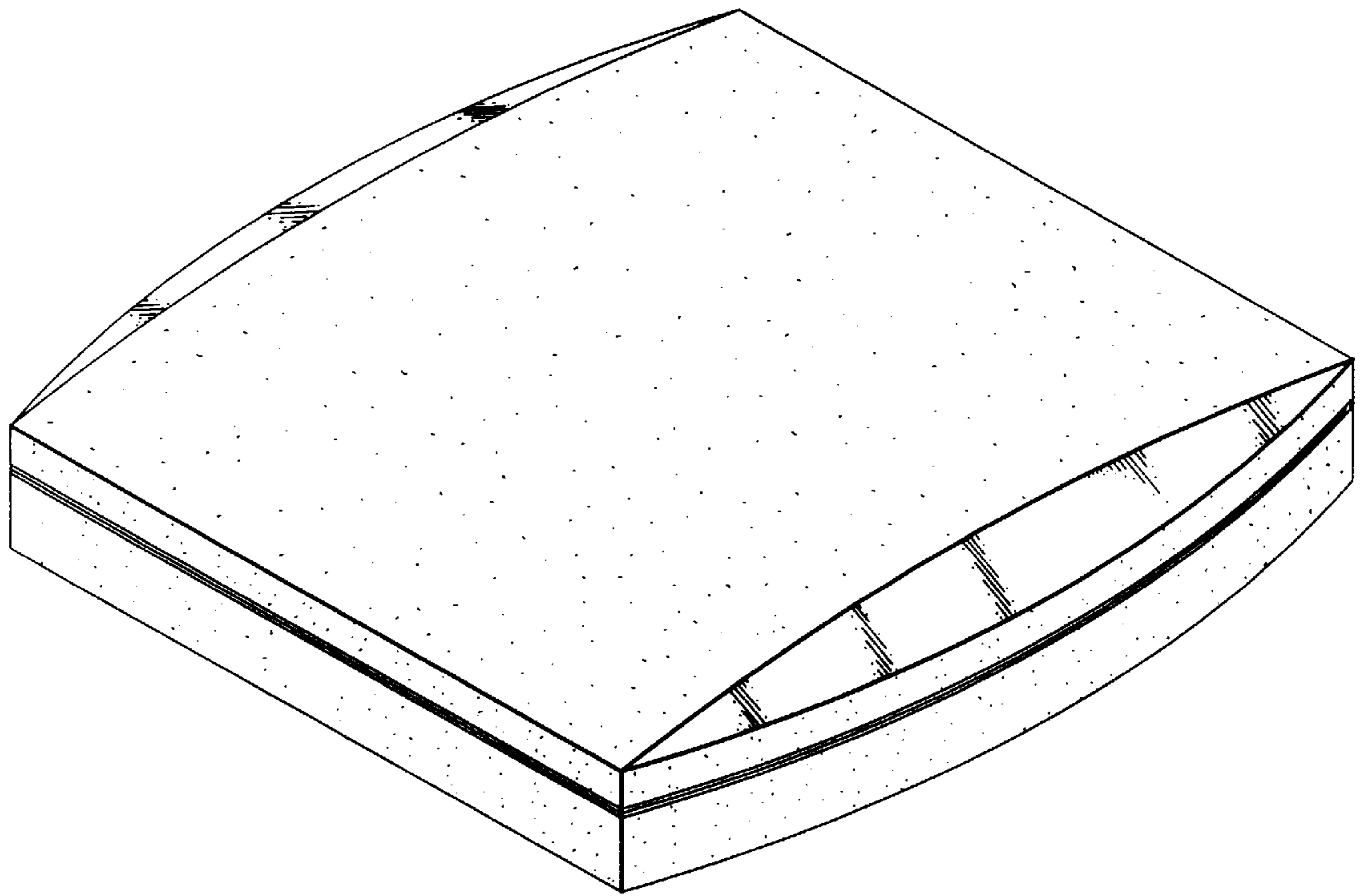


FIG. 9

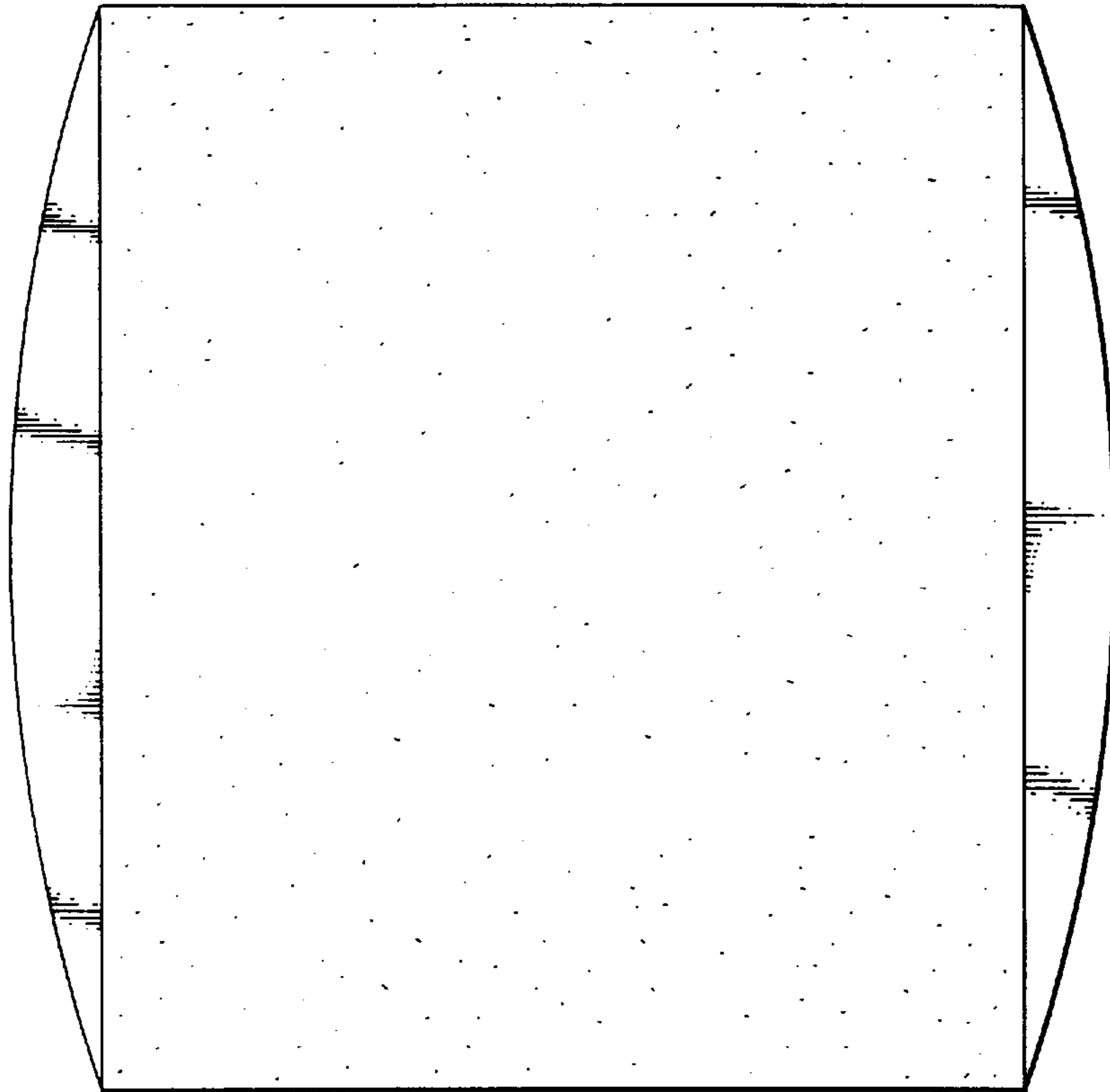


FIG. 10

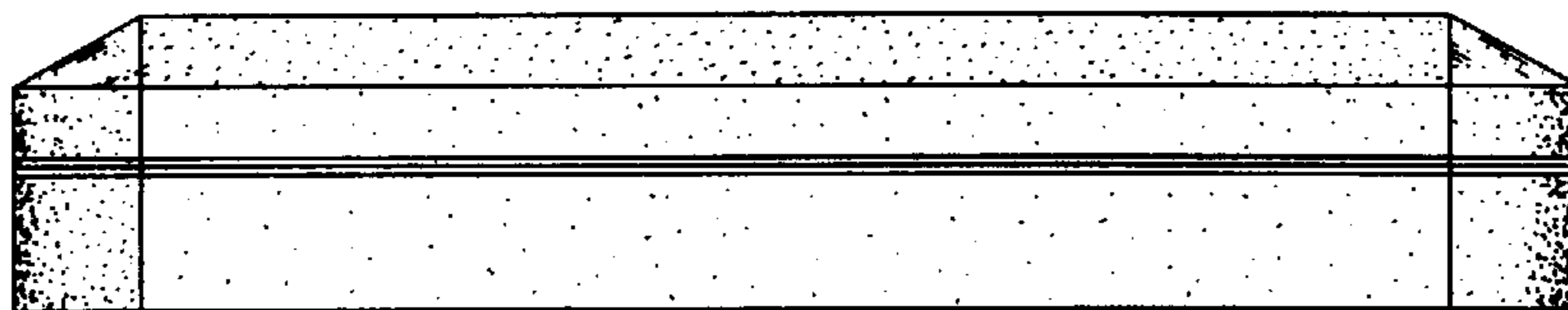


FIG. 11

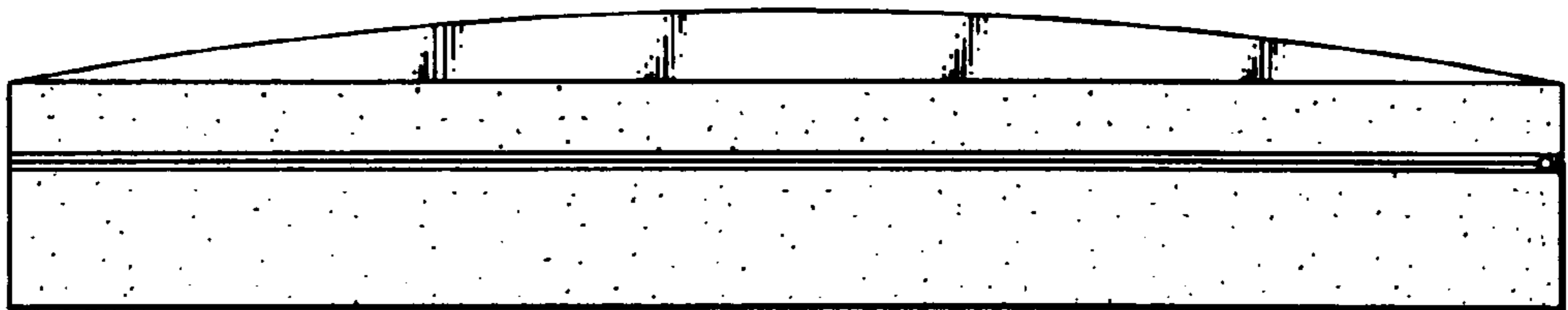


FIG. 12

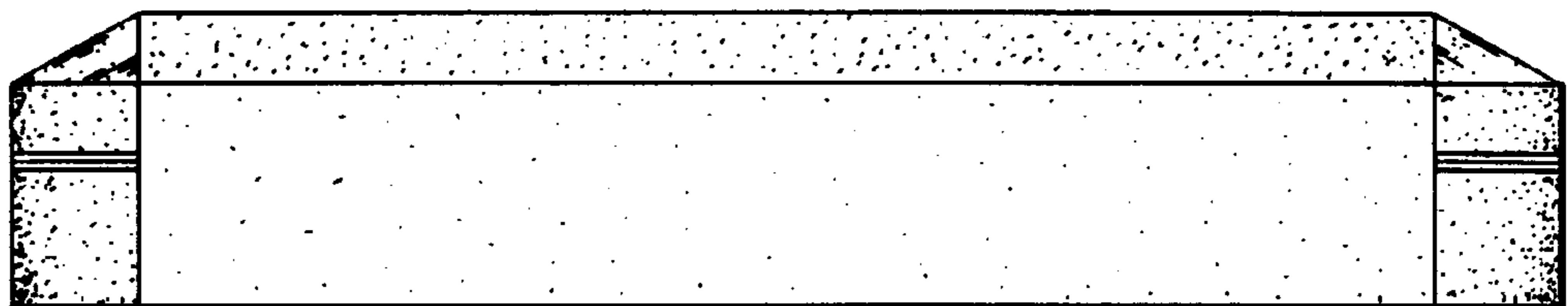


FIG. 13

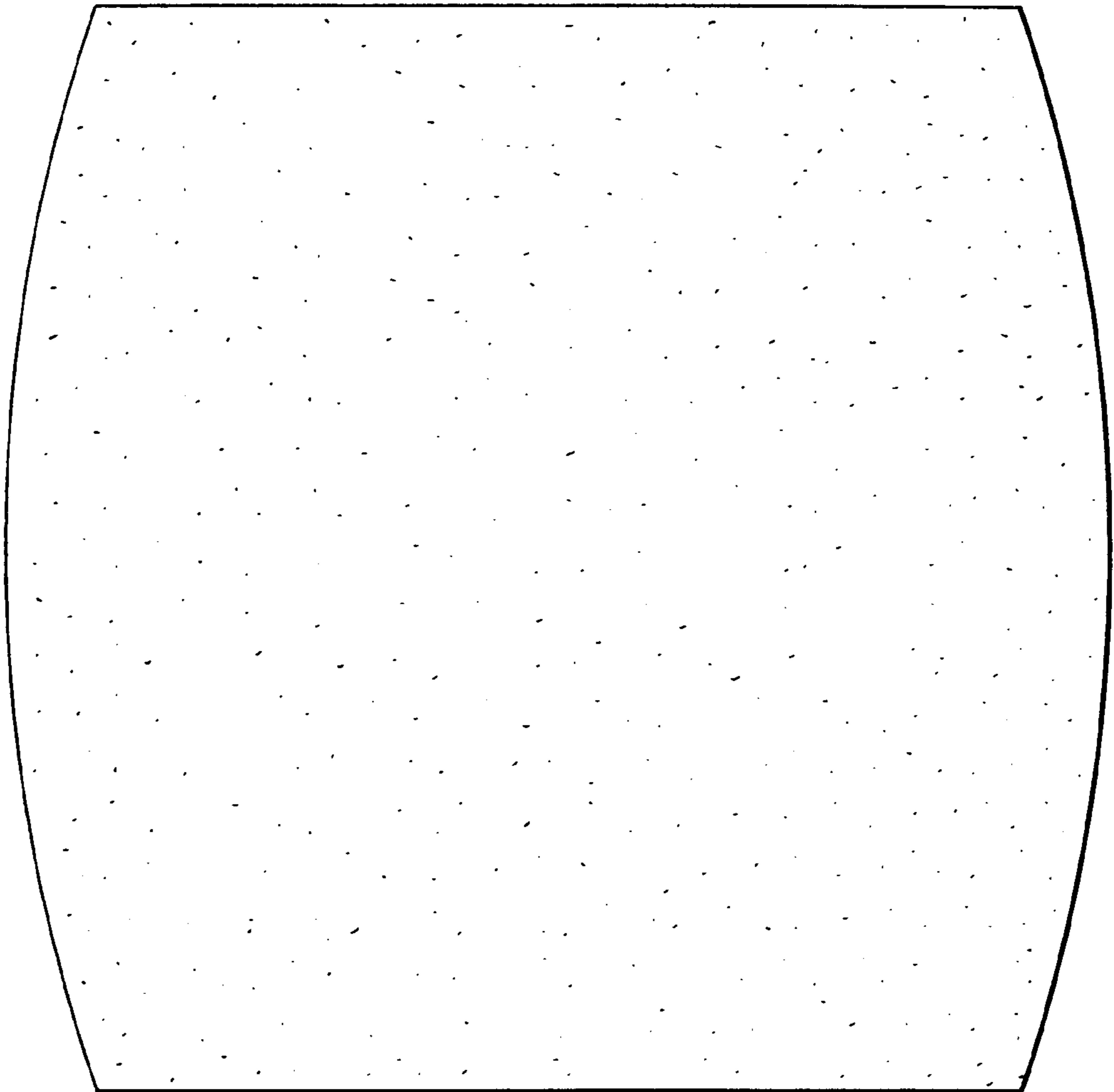


FIG. 14

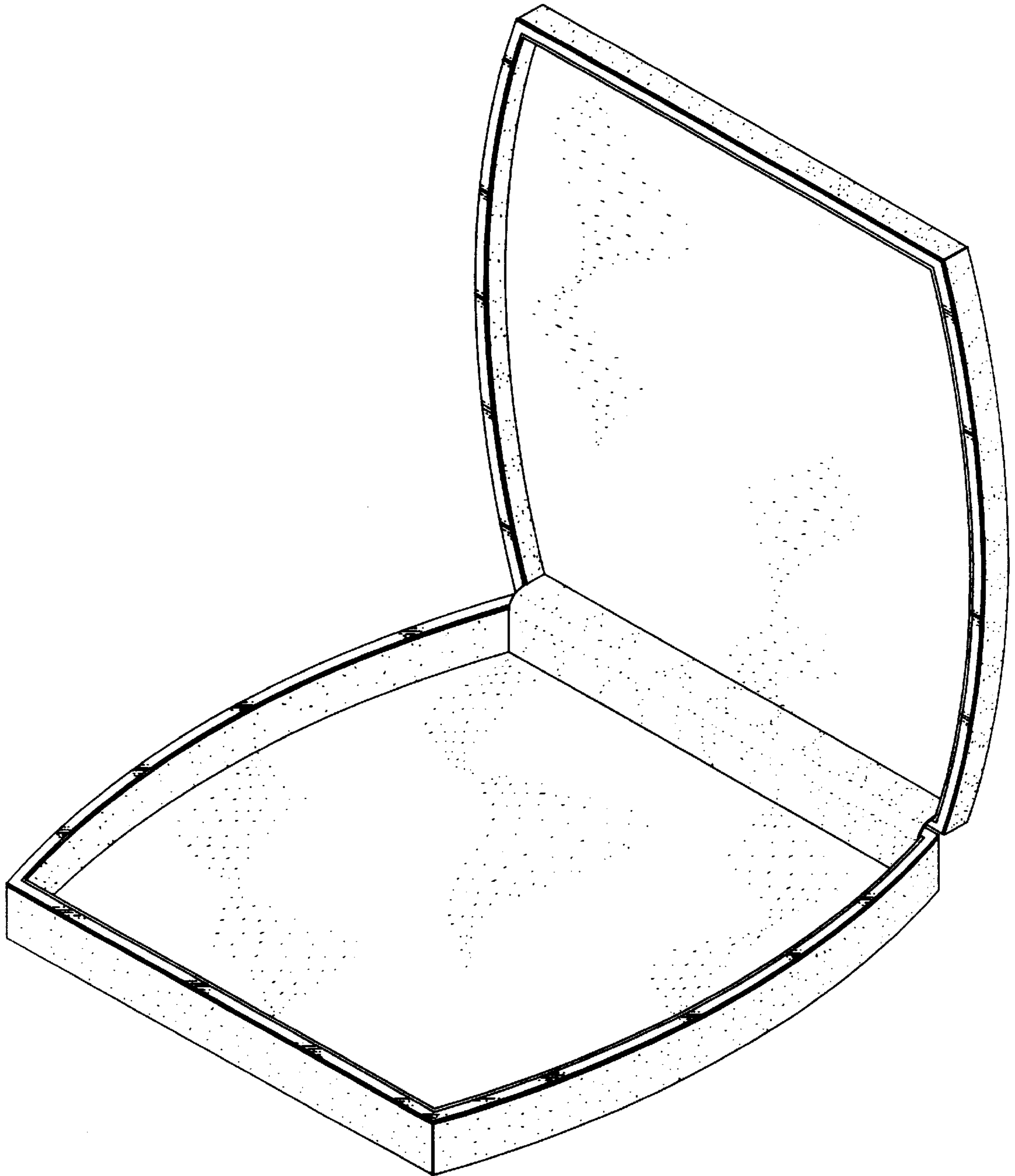


FIG. 15

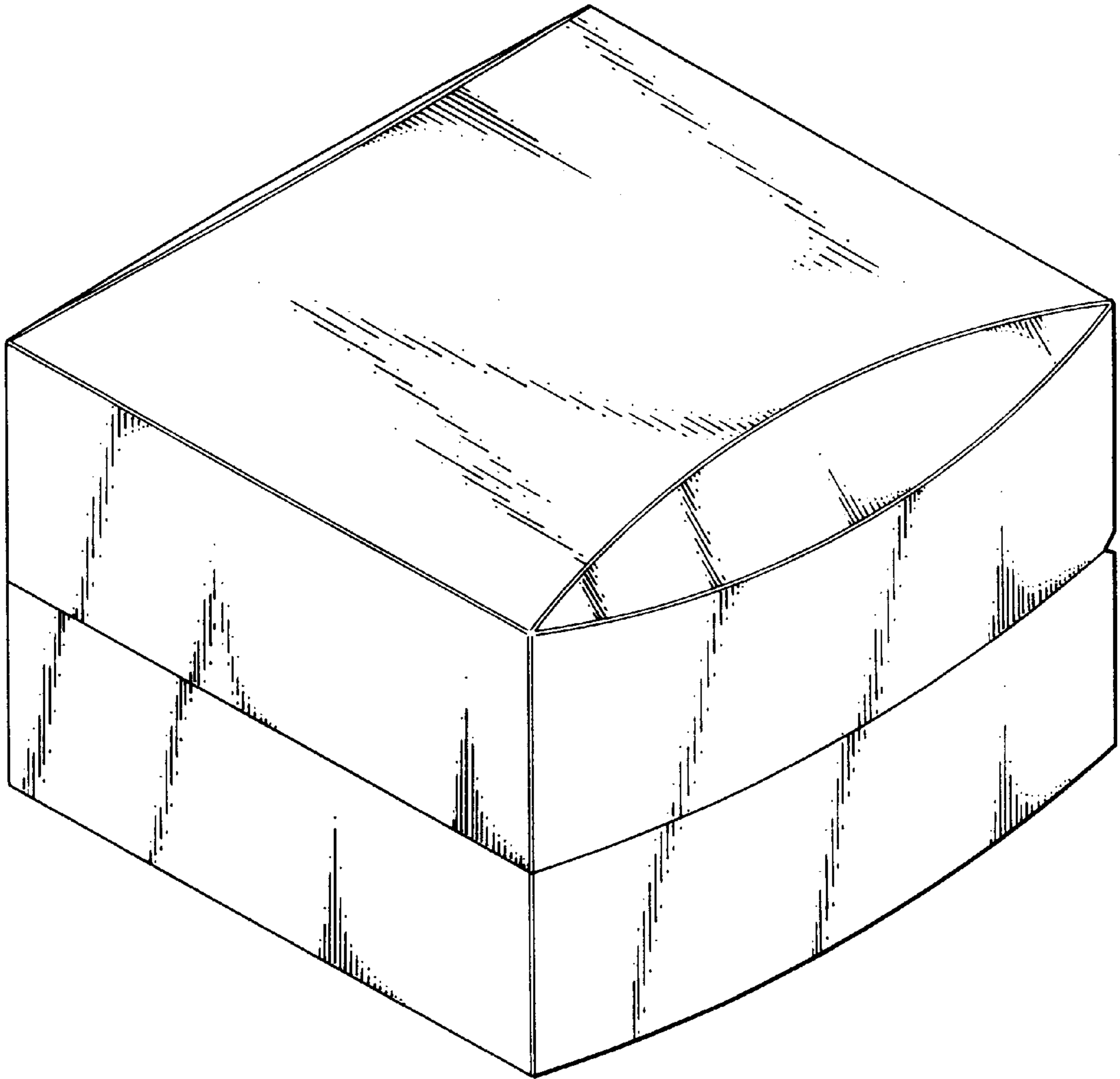


FIG. 16

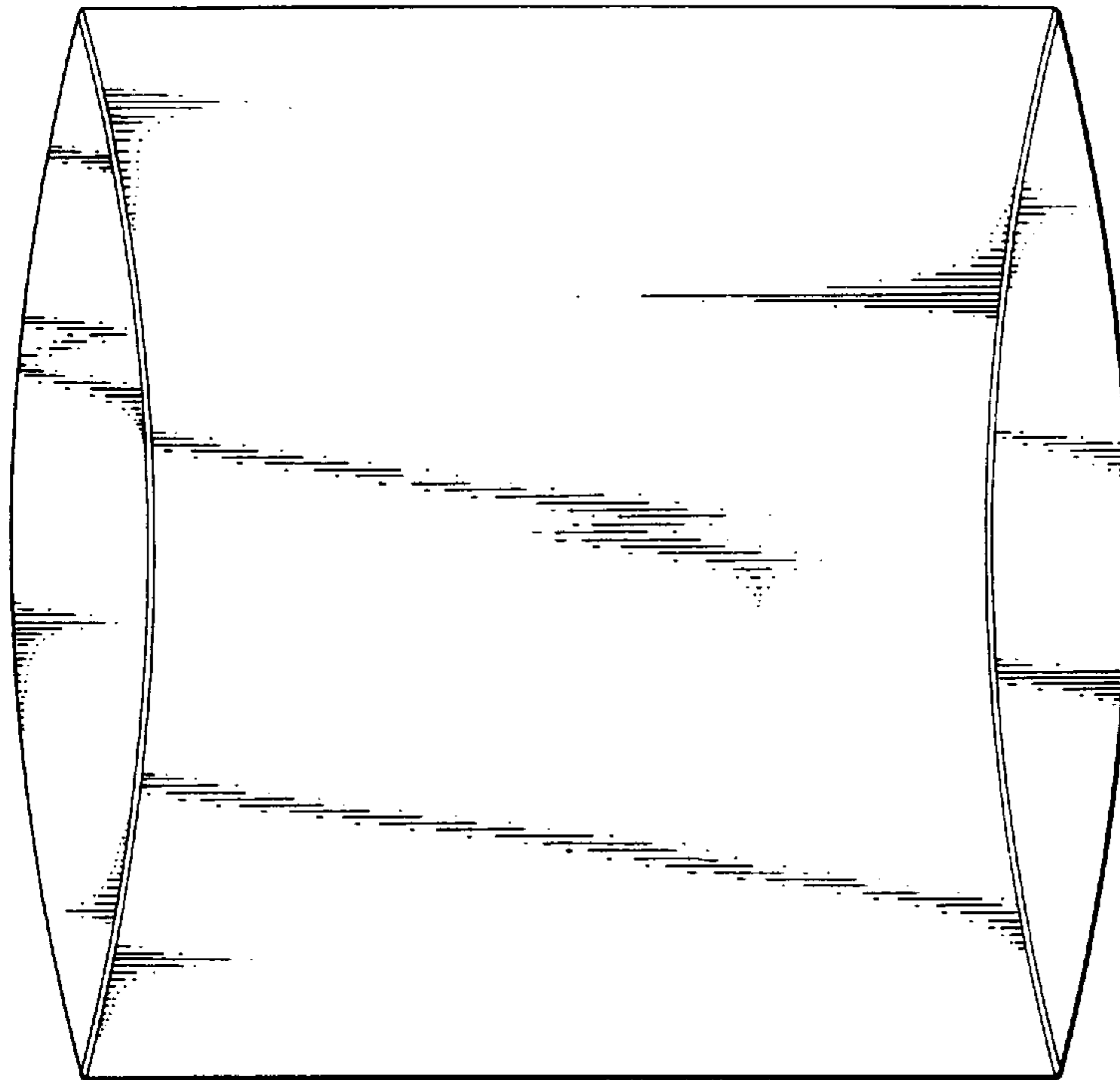


FIG. 17

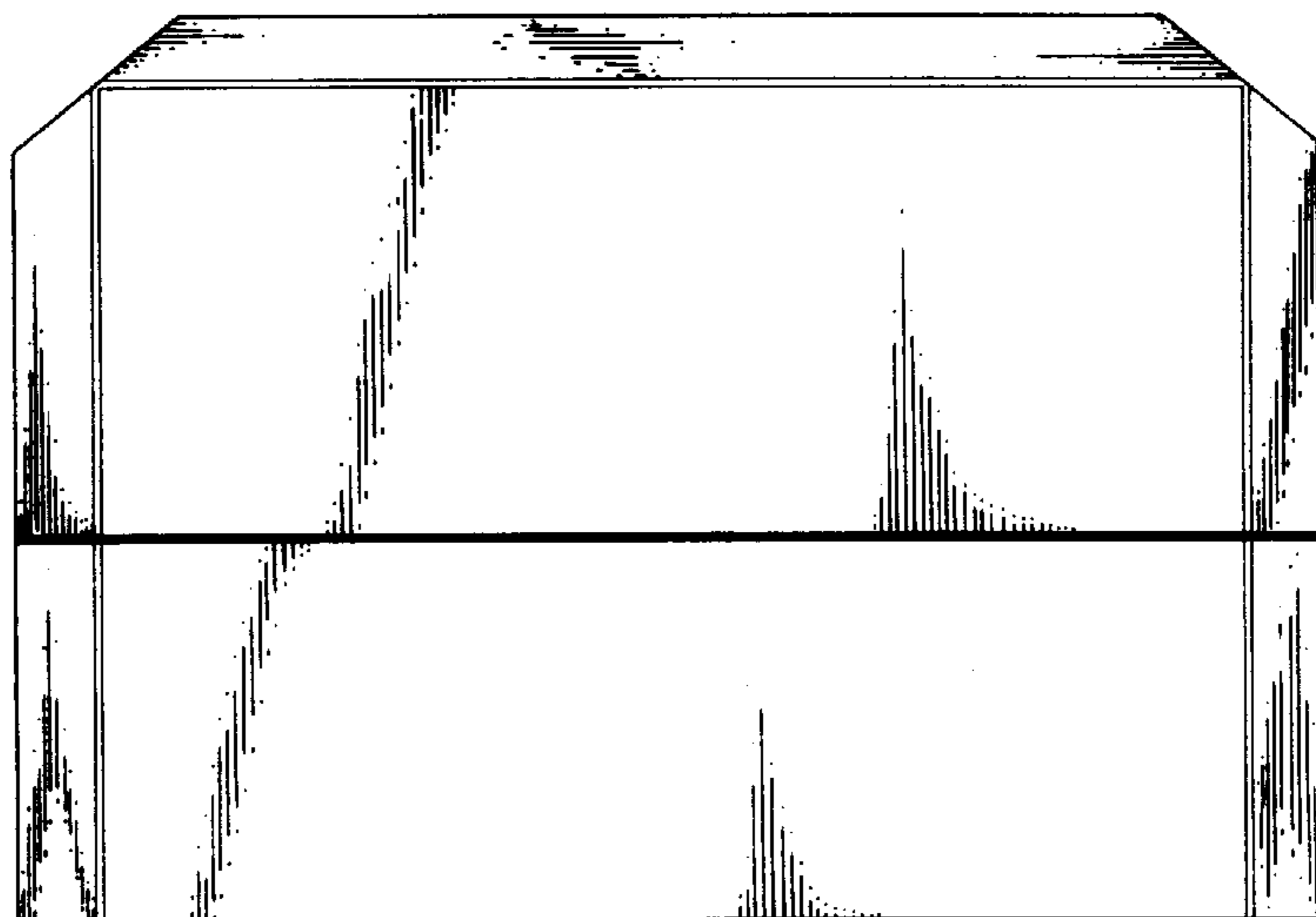


FIG. 18

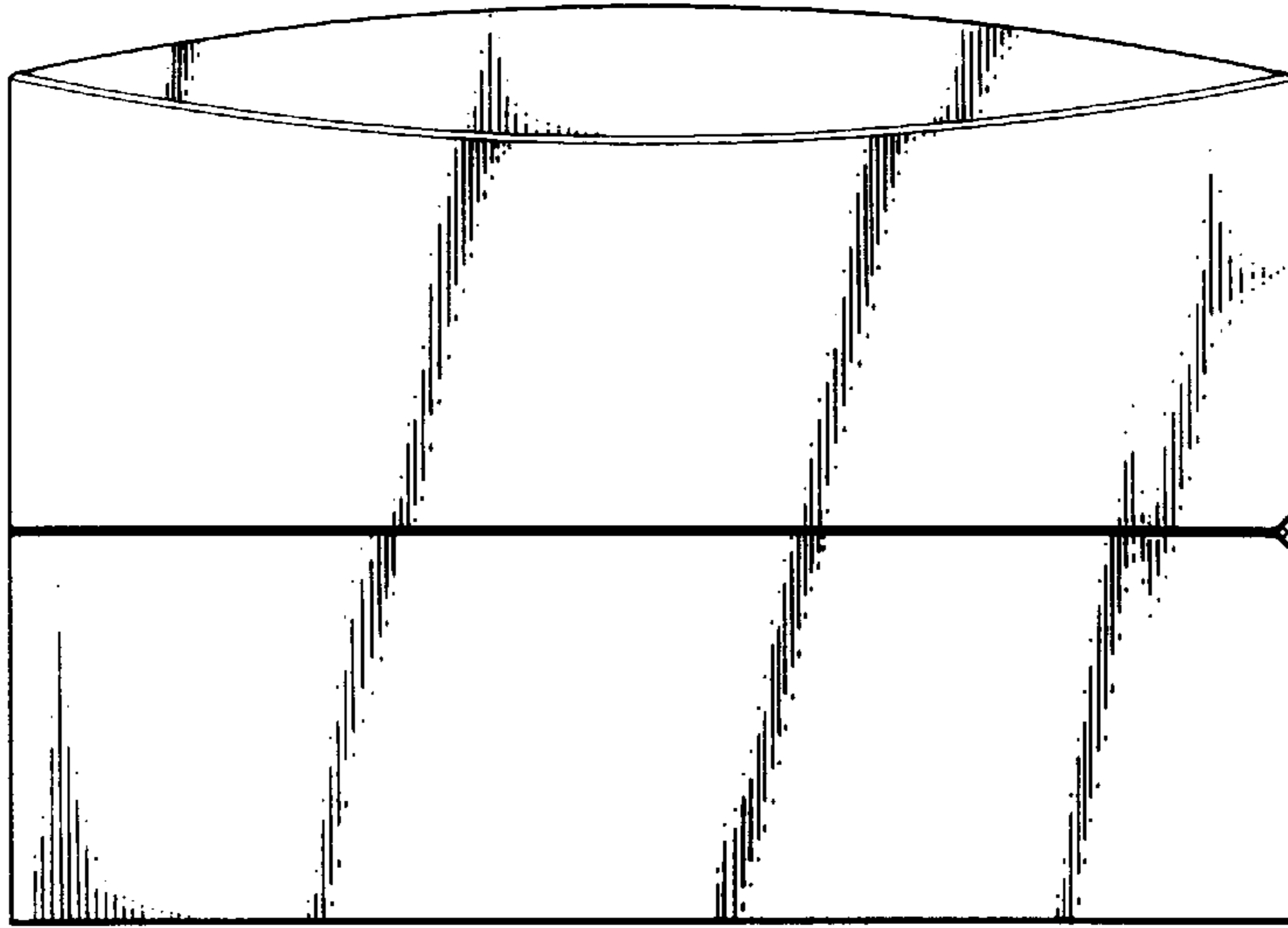


FIG. 19

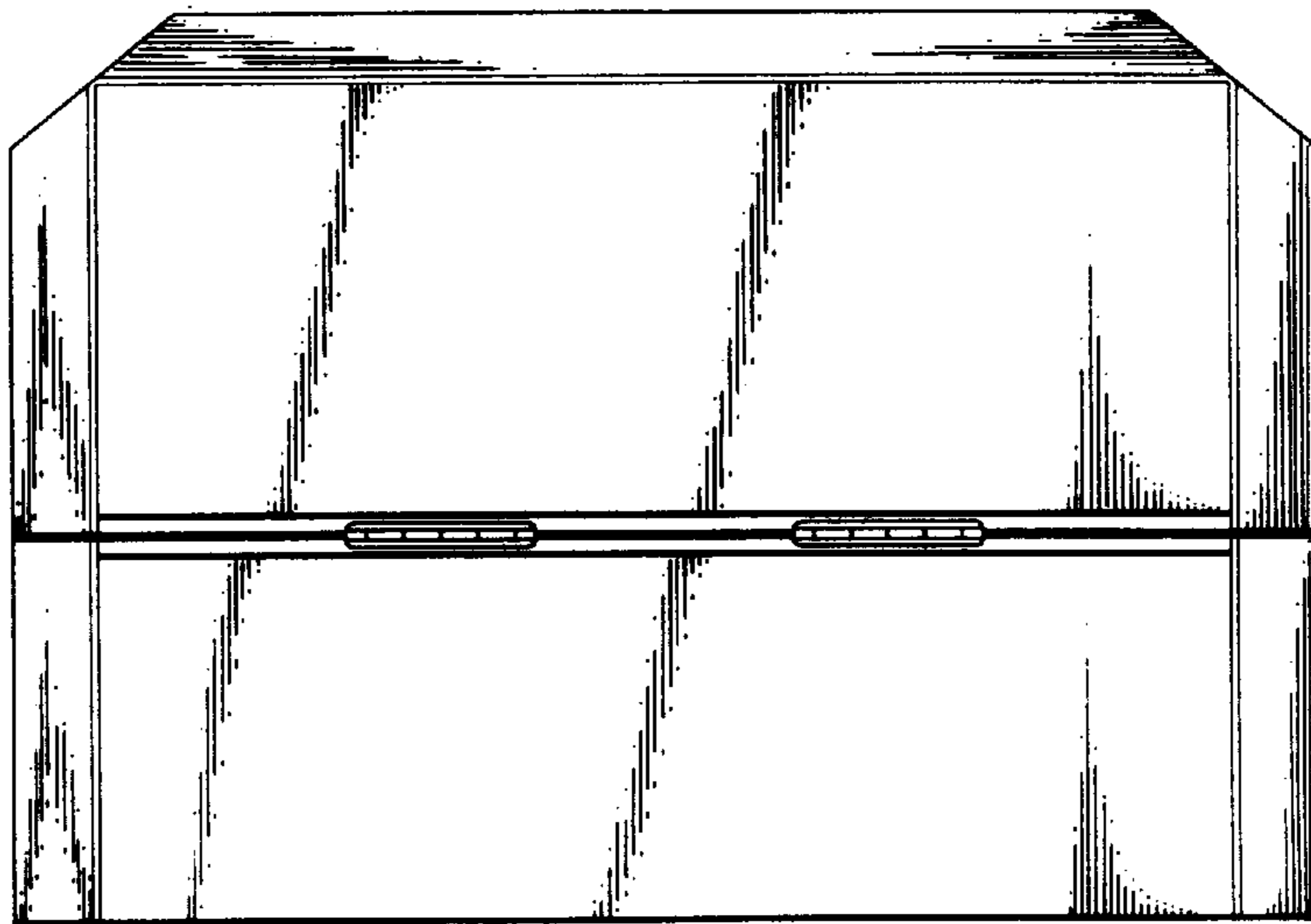


FIG. 20

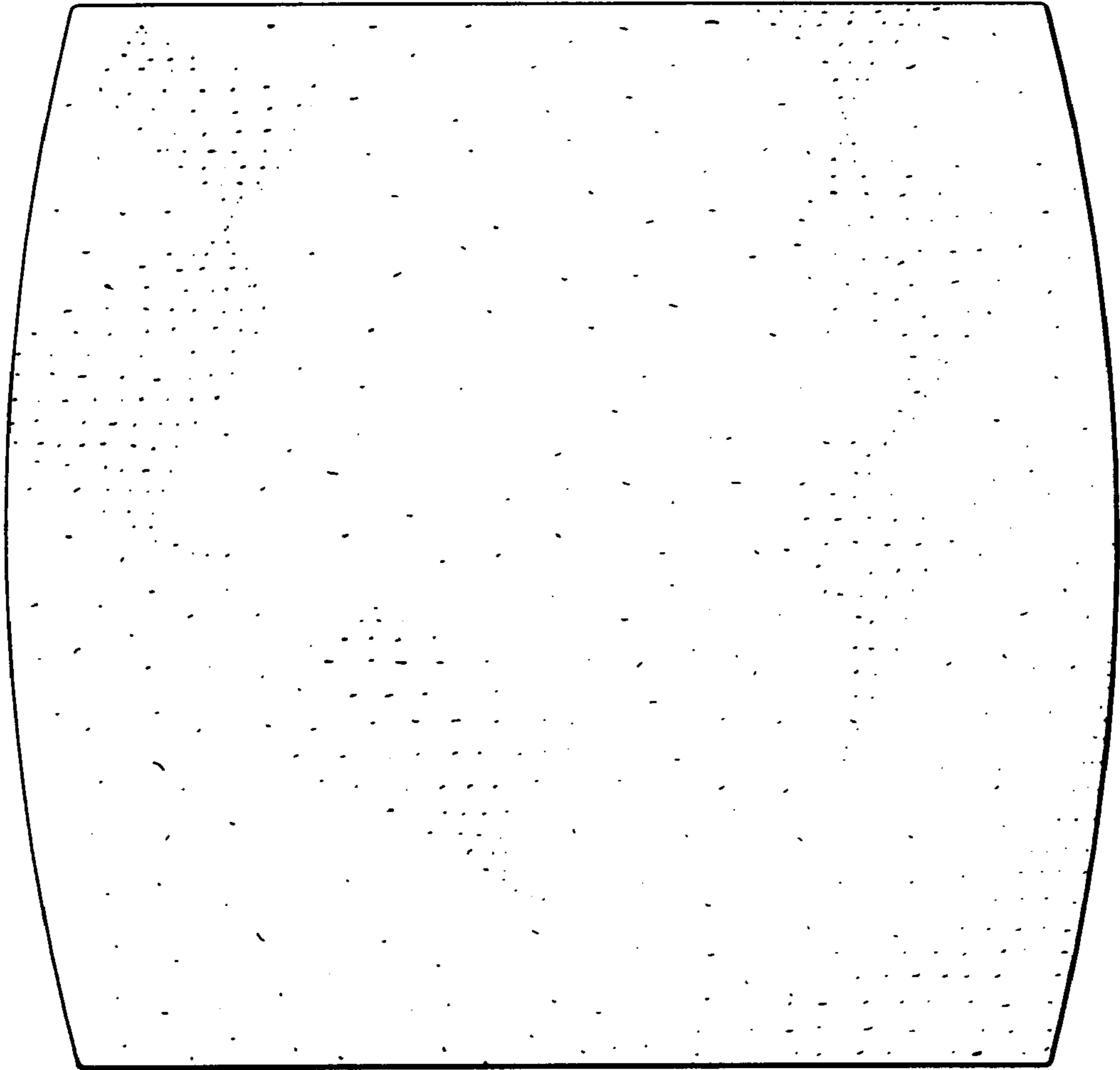


FIG. 21

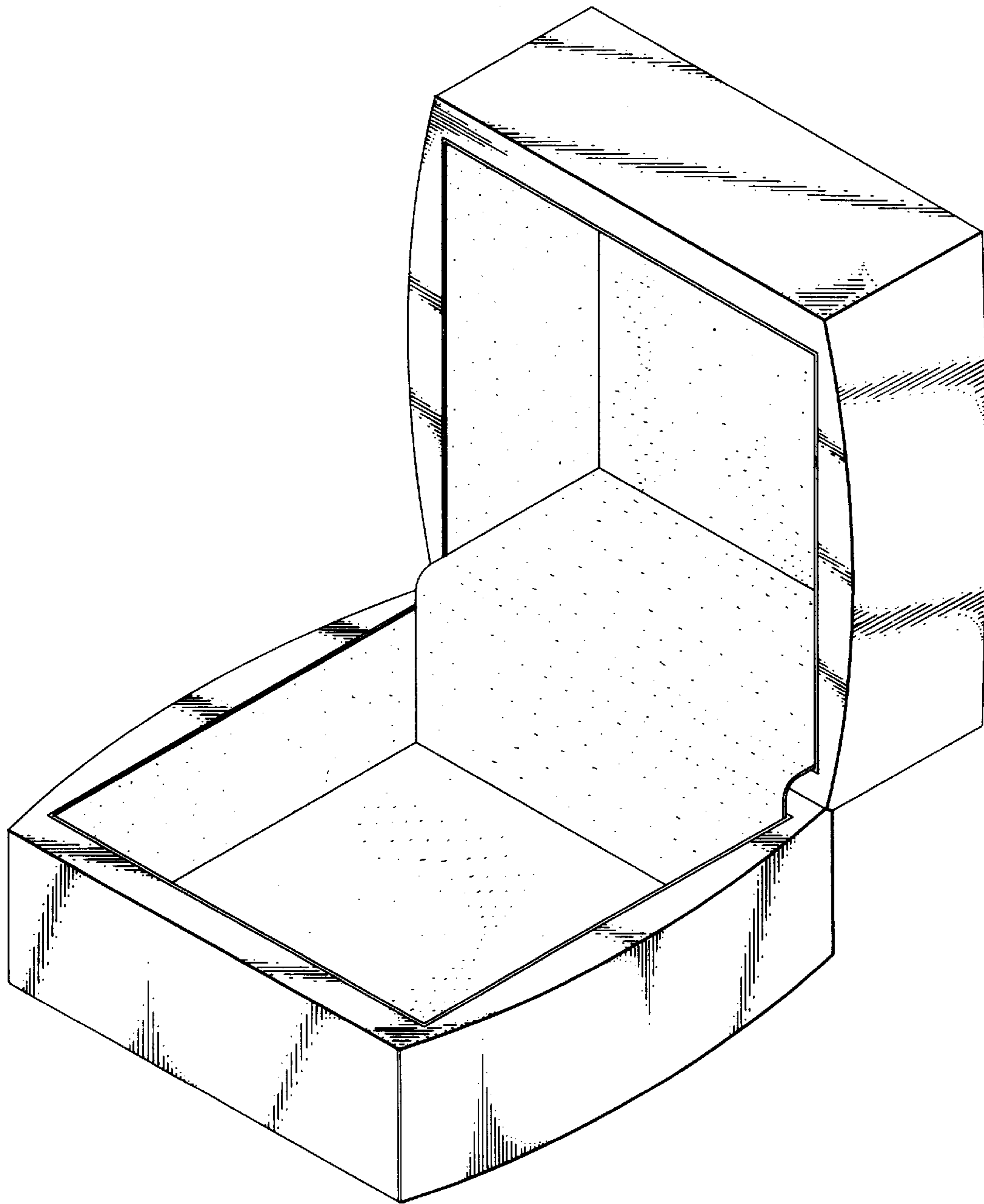


FIG. 22

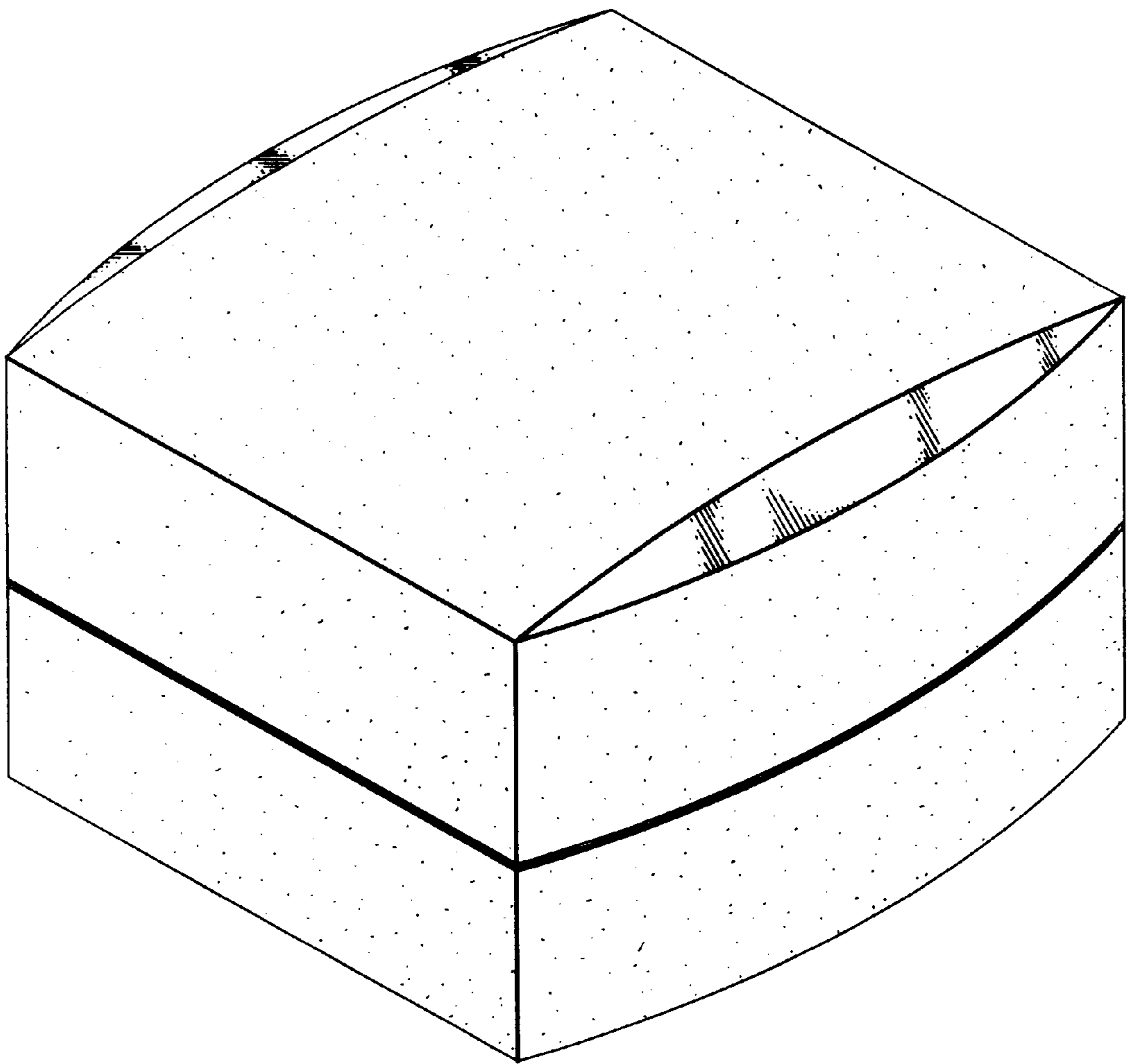


FIG. 23

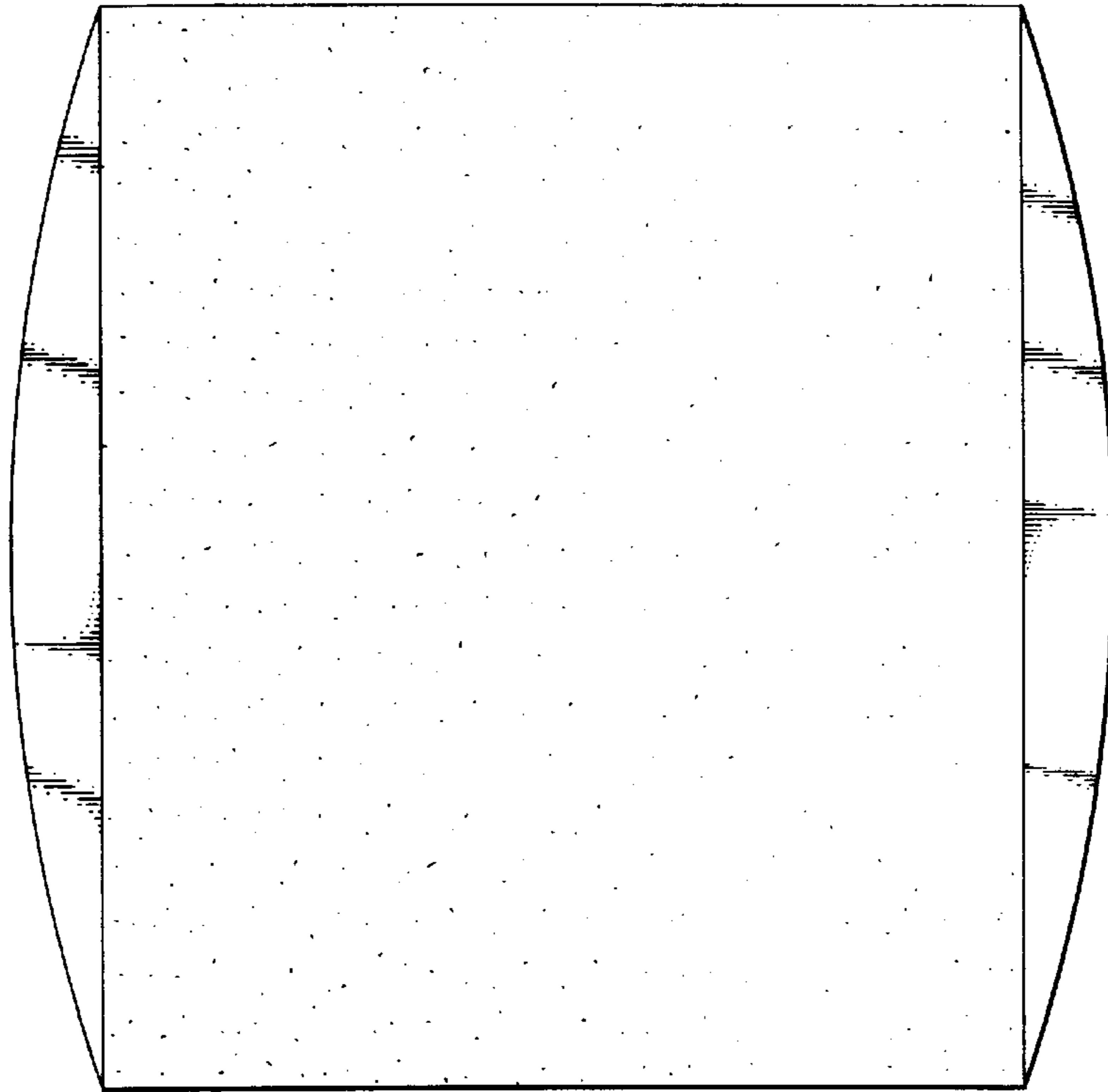


FIG. 24

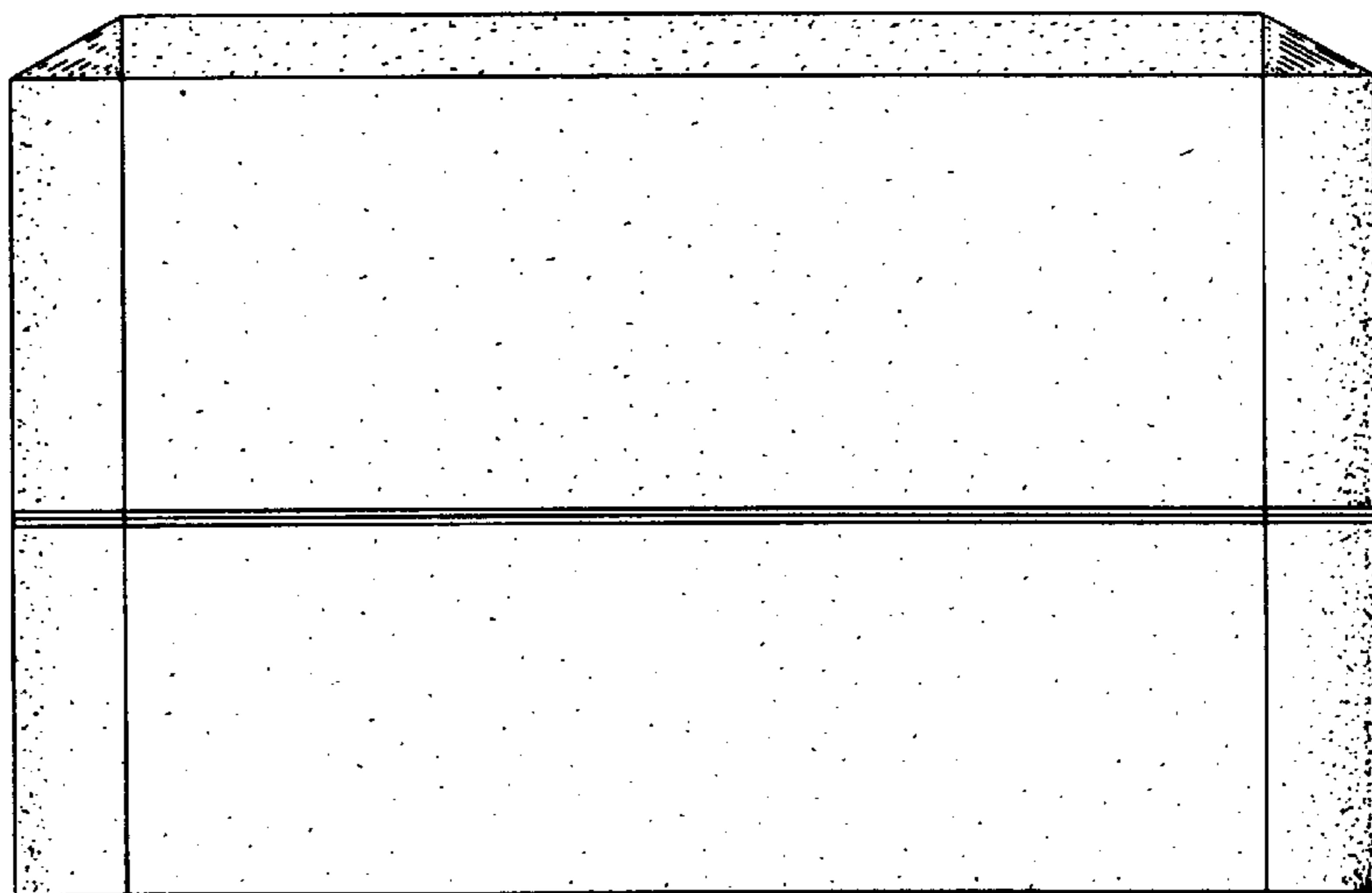


FIG. 25

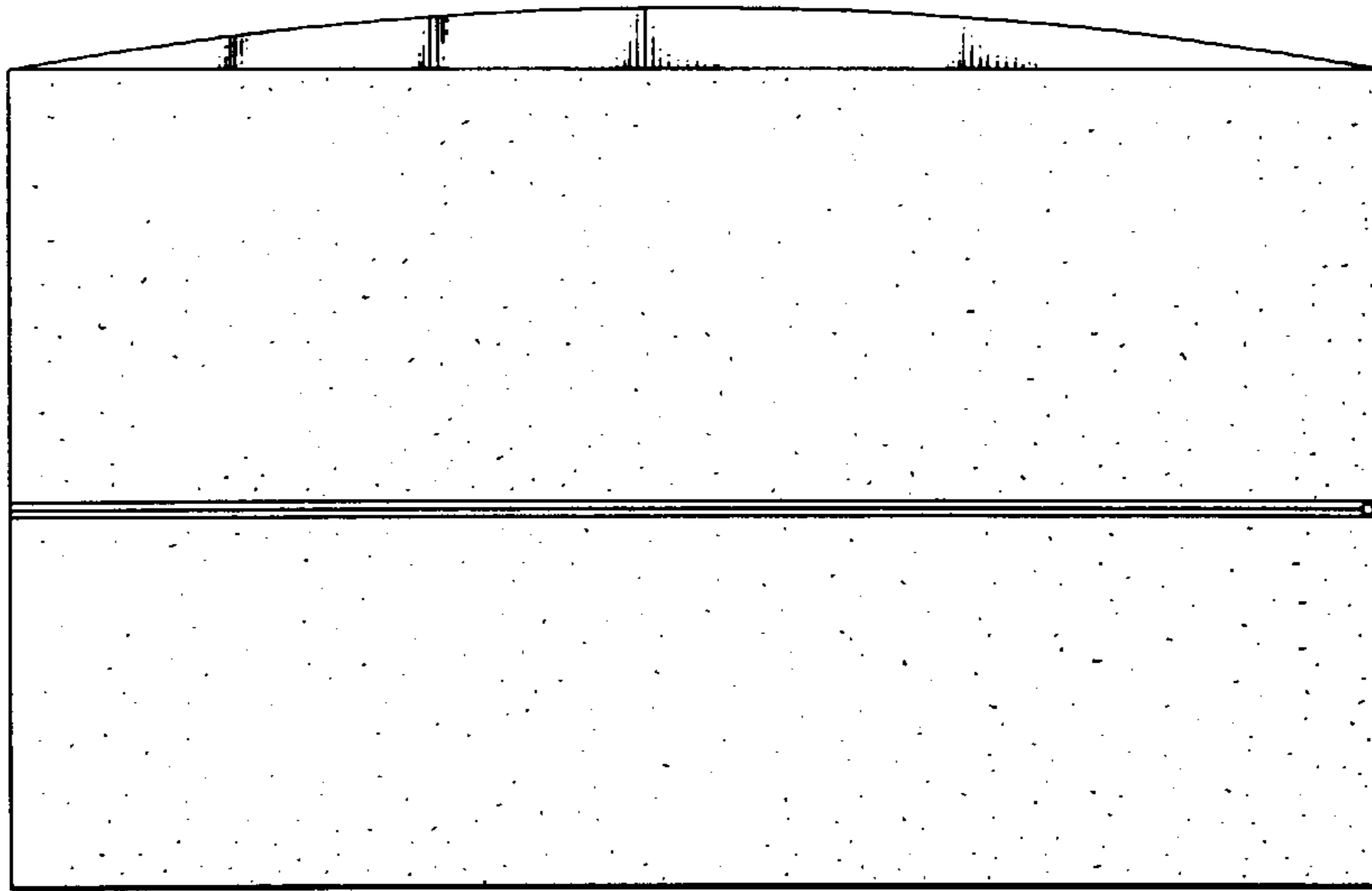


FIG. 26

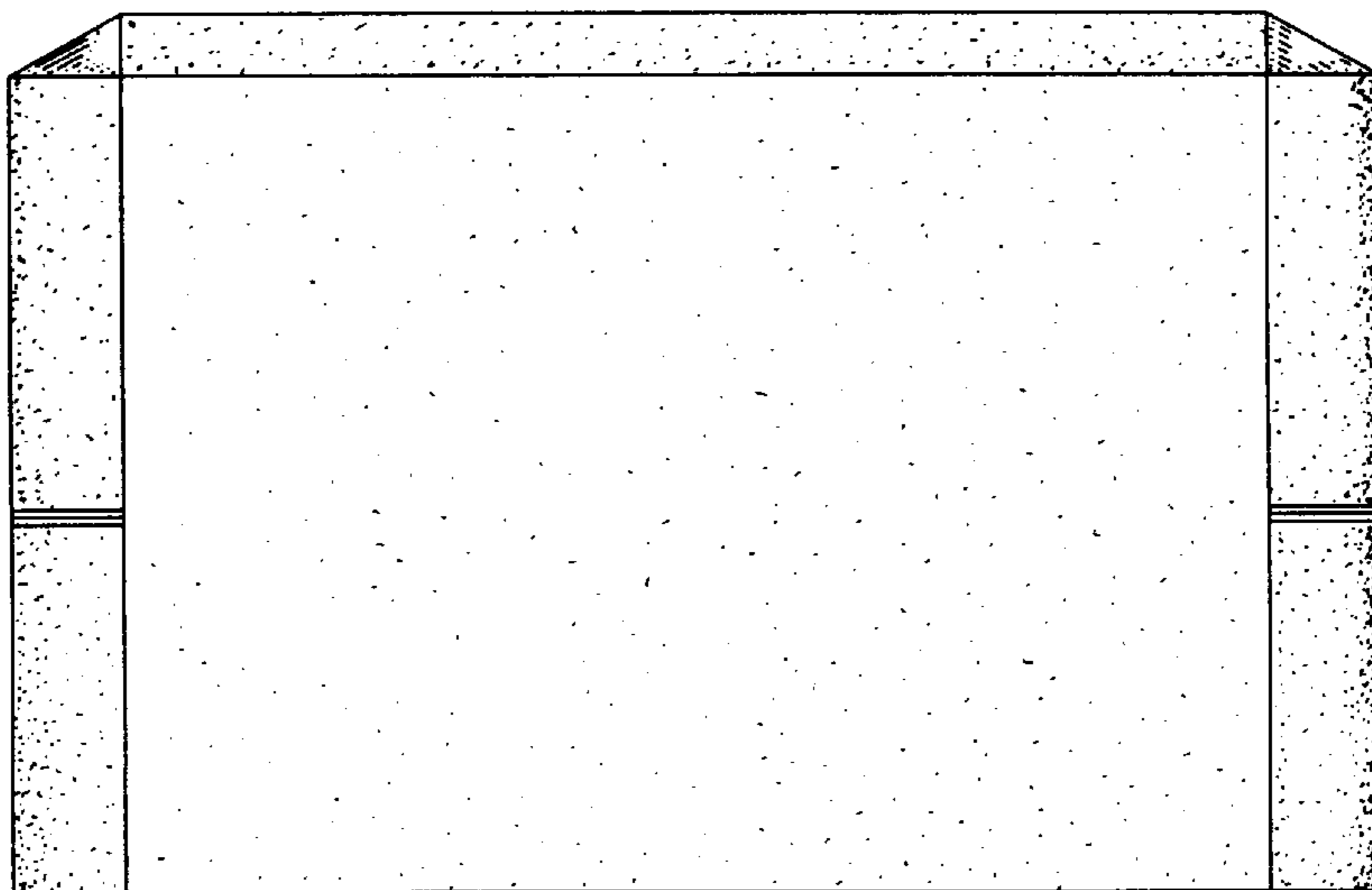


FIG. 27

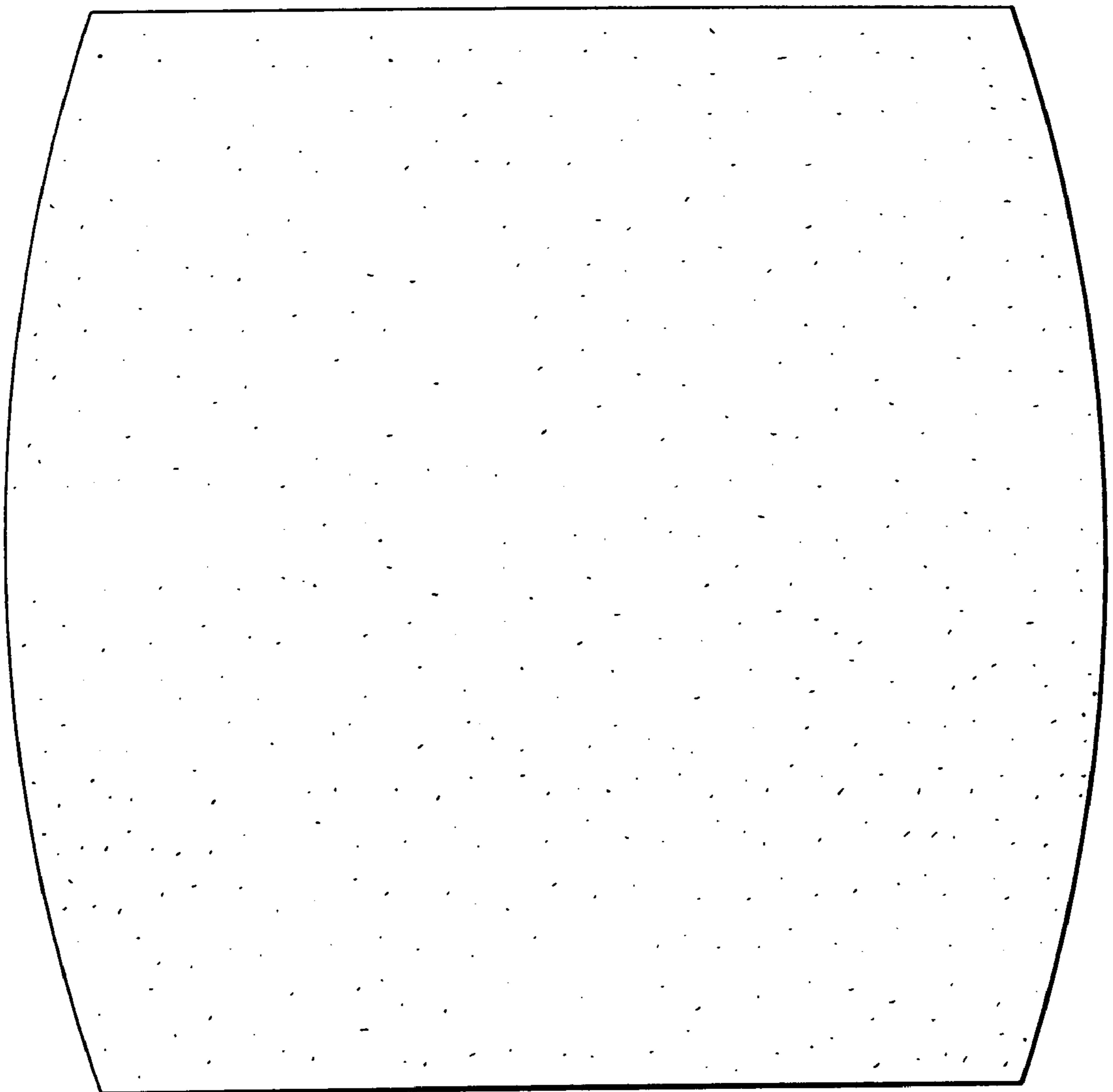


FIG. 28

