



US00D412396S

United States Patent [19]

[11] Patent Number: **Des. 412,396**

Reimers et al.

[45] Date of Patent: **** Aug. 3, 1999**

[54] **SET OF GOLF BAG STRAPS**

[75] Inventors: **Eric W. Reimers; Eugenia Gilligan**,
both of Missoula, Mont.

[73] Assignee: **Izzo Systems, Inc.**, Lakewood, Colo.

[**] Term: **14 Years**

[21] Appl. No.: **29/087,275**

[22] Filed: **Apr. 30, 1998**

4,796,752	1/1989	Reimers	206/315.3
4,911,347	3/1990	Wilhite	224/257
5,038,984	8/1991	Izzo	224/209
5,042,703	8/1991	Izzo	224/209
5,042,704	8/1991	Izzo	224/209
5,064,108	11/1991	Headley	224/253
5,112,068	5/1992	Liao et al.	280/30
5,269,449	12/1993	Sattler	224/258
5,348,205	9/1994	Steurer	224/209
5,419,473	5/1995	Lamar	224/215
5,551,561	9/1996	MacRae et al.	206/315.3

Related U.S. Application Data

[63] Continuation-in-part of application No. 08/660,243, Jun. 7, 1996.

[51] **LOC (6) Cl.** **03-01**

[52] **U.S. Cl.** **D3/255; D3/327**

[58] **Field of Search** 206/315; 224/150,
224/163, 209-216, 202, 258-9, 261, 264,
272, 580, 578, 627, 645, 916-17; 273/32 E;
D3/215, 254, 255, 287, 320, 327, 328;
D21/789, 796; D34/15

References Cited

U.S. PATENT DOCUMENTS

D. 362,752	10/1995	Steurer	D3/255
D. 387,556	12/1997	Beebe et al.	D3/255
1,570,500	1/1926	Kennedy	.
1,753,073	4/1930	Troften	224/148.7
1,816,262	7/1931	Ritter	.
2,224,568	12/1940	Altorfer	224/5
2,820,498	1/1958	Endee	150/1.5
2,853,111	9/1958	Williams	150/1.5
4,018,369	4/1977	Jaeger	224/9
4,487,347	12/1984	Zegar	224/259

FOREIGN PATENT DOCUMENTS

2184332 5/1997 Canada .

Primary Examiner—Louis S. Zarfaz
Assistant Examiner—Robert Delehanty
Attorney, Agent, or Firm—Townsend and Townsend and Crew

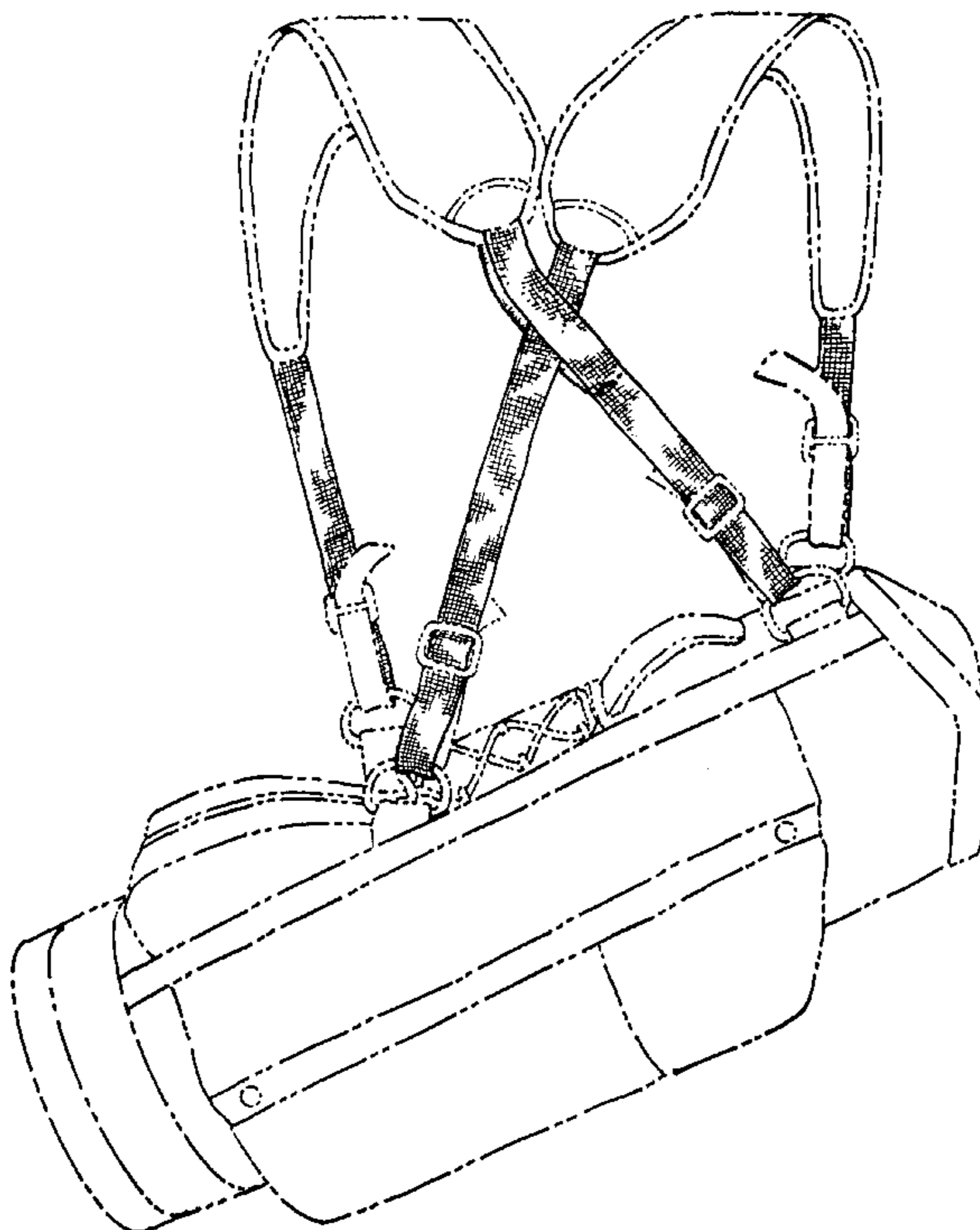
CLAIM

The ornamental design for set of golf bag straps, as shown and described.

DESCRIPTION

FIG. 1 is a perspective view of a strap configuration for a set of golf bag straps showing my new design;
 FIG. 2 is a right side elevational view thereof;
 FIG. 3 is a left side elevational view thereof;
 FIG. 4 is a front elevational view;
 FIG. 5 is a rear elevational view thereof;
 FIG. 6 is a top plan view thereof; and,
 FIG. 7 is a bottom plan view thereof.
 The portions of the drawings shown in phantom line do not constitute a part of the claimed design.

1 Claim, 5 Drawing Sheets



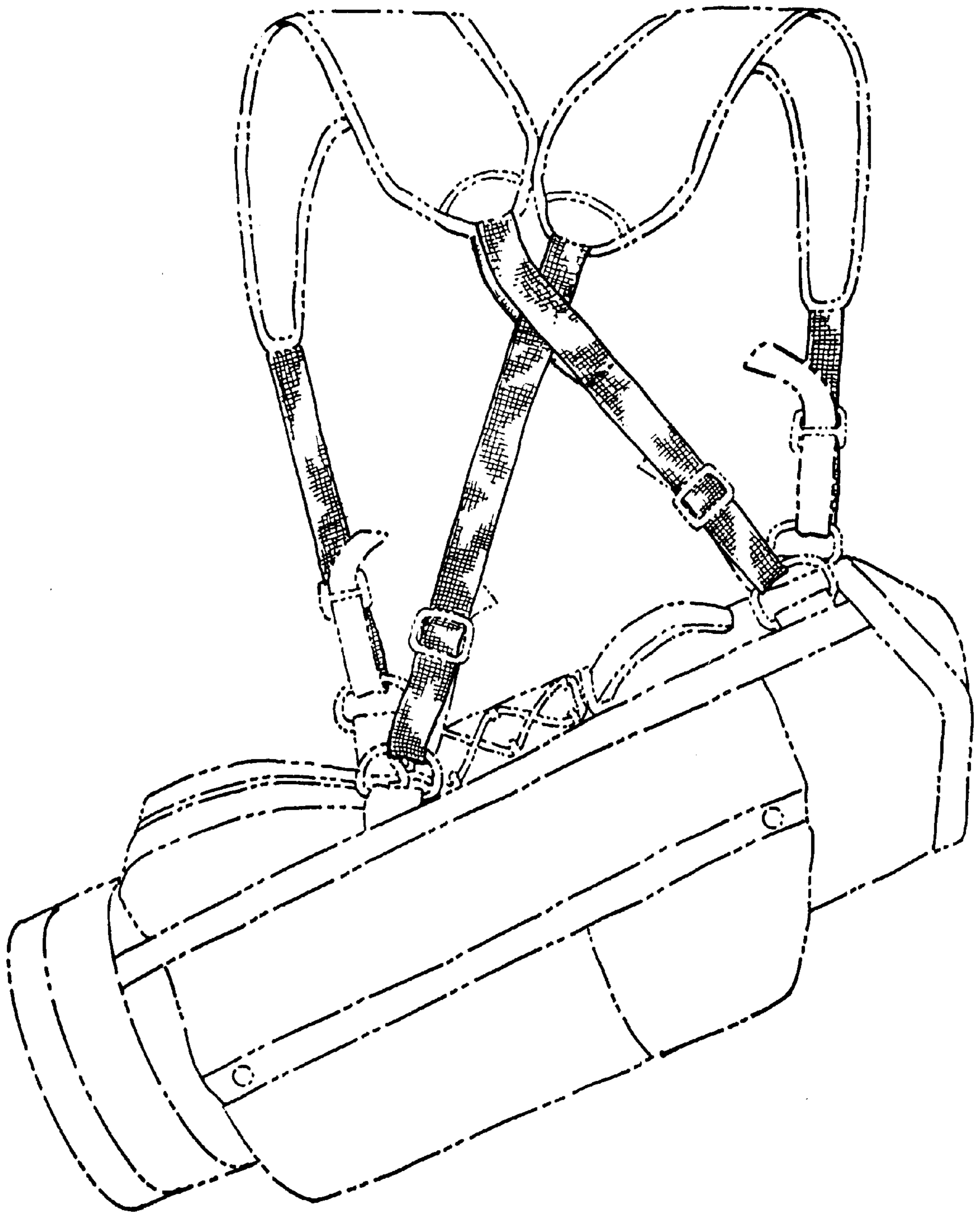


Fig. 1

Fig. 2

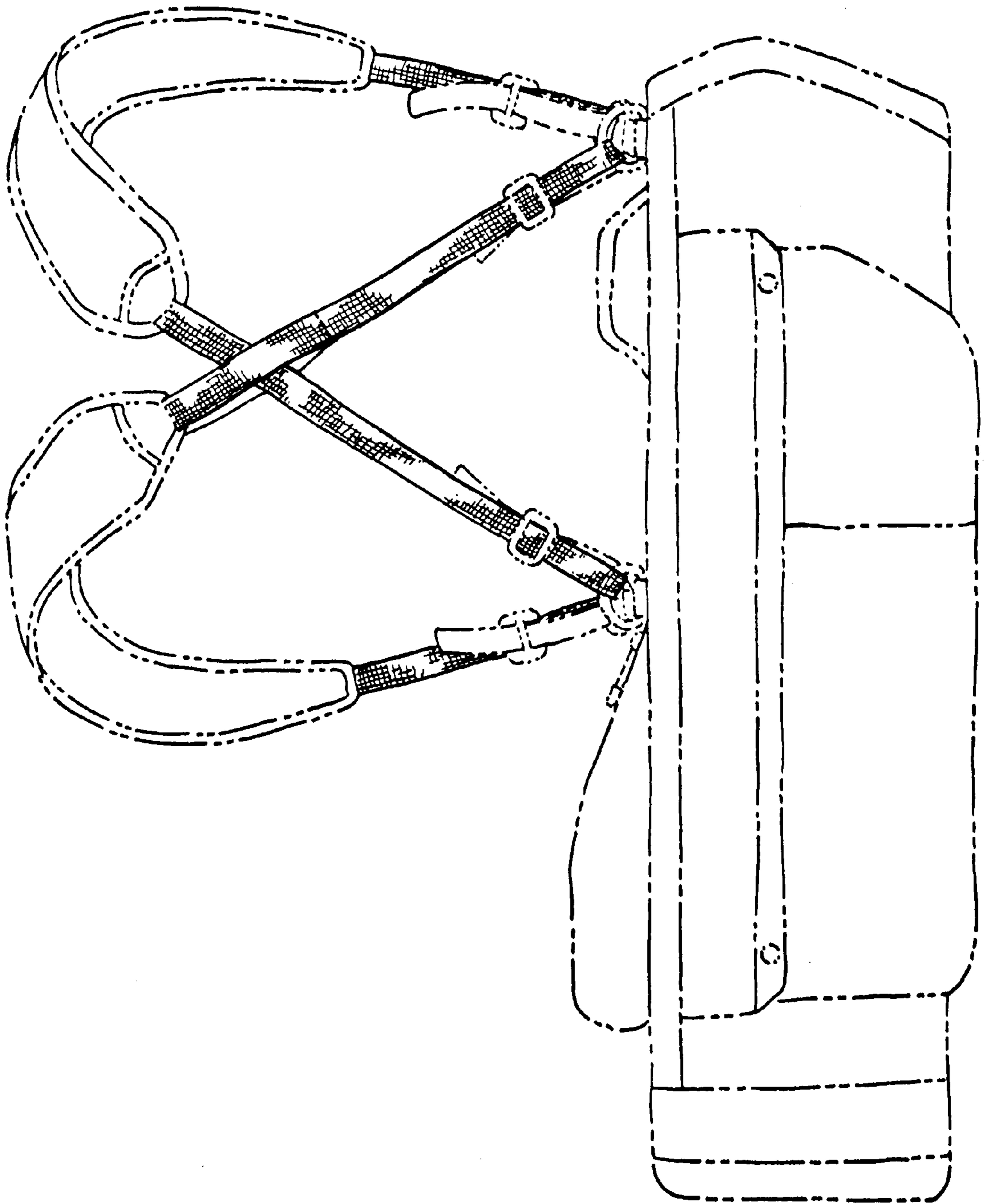


Fig. 3

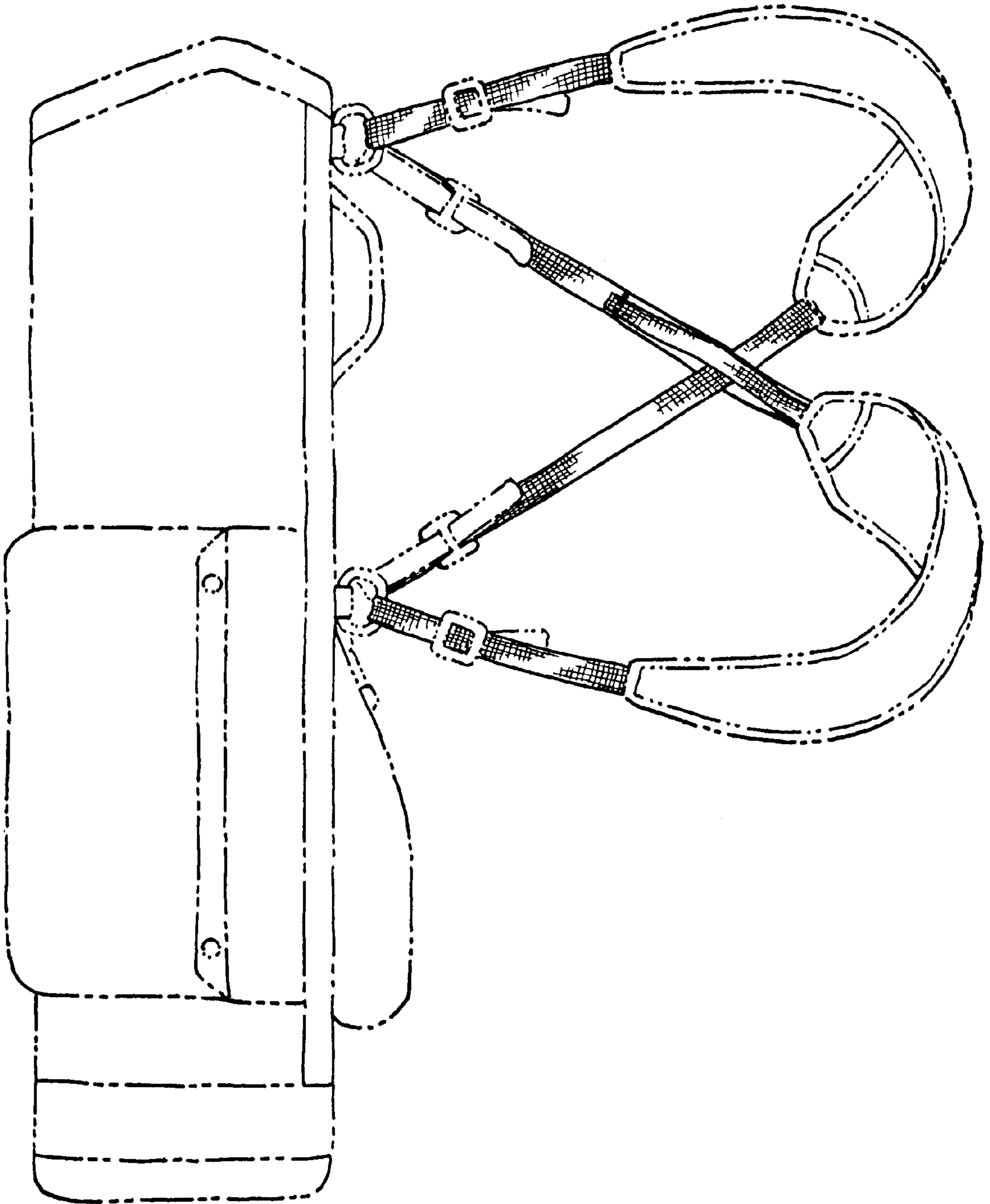


Fig. 4

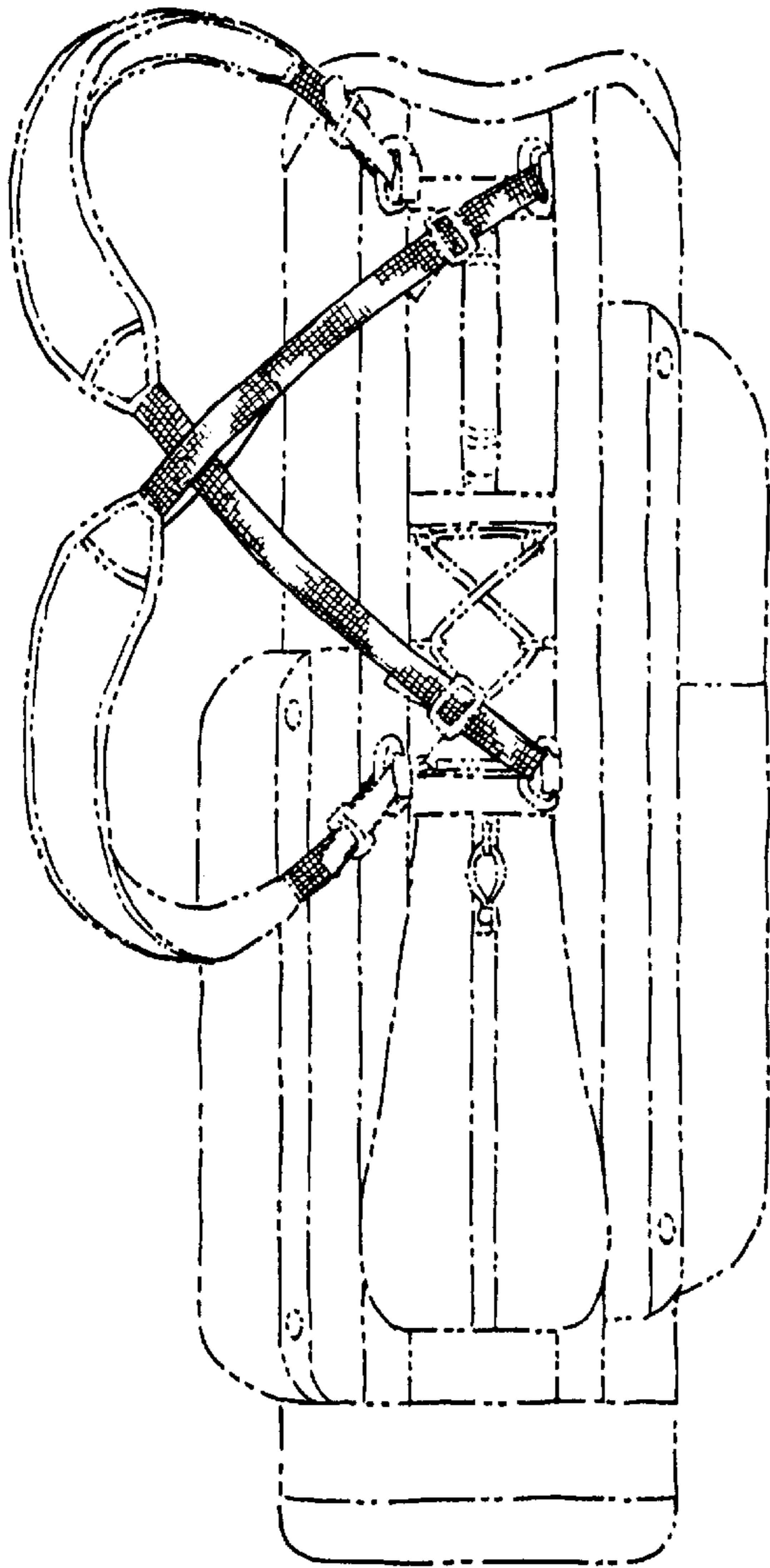


Fig. 5

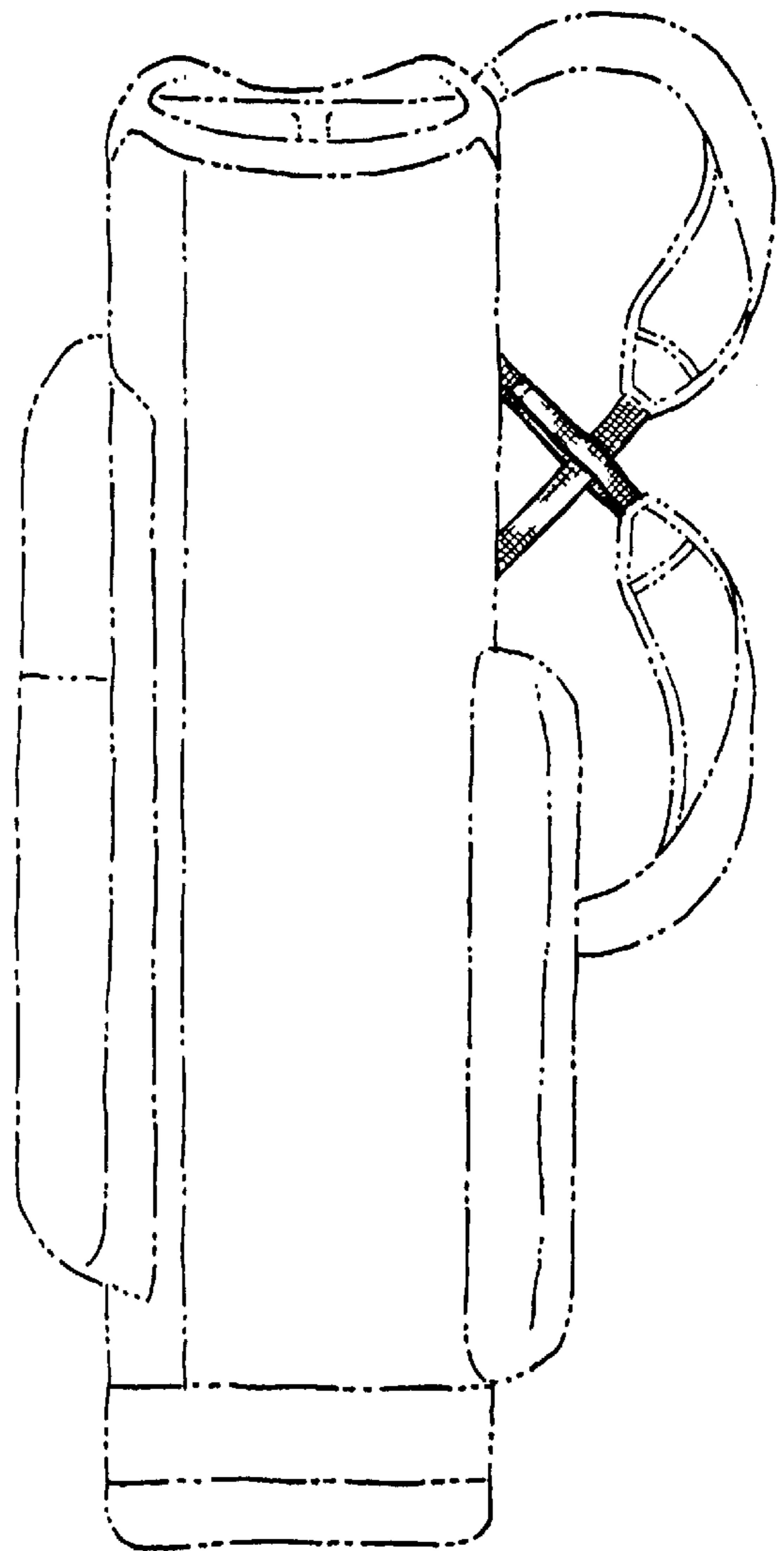


Fig. 6

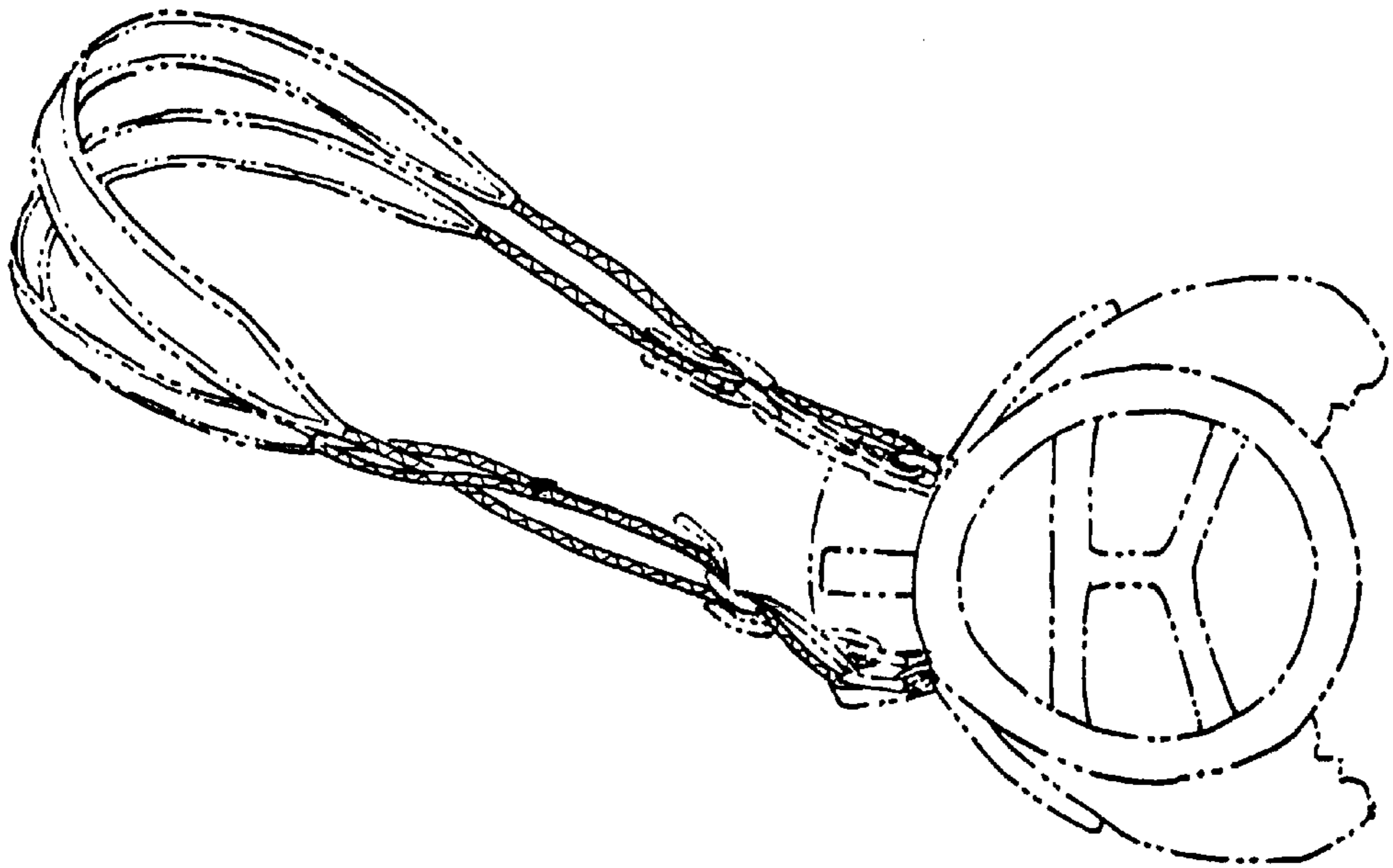


Fig. 7

