



US00D412389S

United States Patent [19]

[11] **Patent Number: Des. 412,389**

Lee

[45] **Date of Patent: ** Aug. 3, 1999**

[54] **DIE CUT HEADWEAR**

[75] Inventor: **Jeun Ho Lee**, Virginia Beach, Va.

[73] Assignee: **Virginia Die & Manufacturing, Inc.**,
Virginia Beach, Va.

[**] Term: **14 Years**

[21] Appl. No.: **29/089,055**

[22] Filed: **Jun. 5, 1998**

Related U.S. Application Data

[63] Continuation-in-part of application No. 29/088,013, May 13, 1998.

[51] **LOC (6) Cl.** **02-03**

[52] **U.S. Cl.** **D2/876; D2/881; D2/882**

[58] **Field of Search** **D2/865, 866, 868, D2/869, 871, 872, 876, 879, 881, 882, 884, 885, 886, 893; 2/171, 171.01, 171.06, 195.1, 195.7, 200.1, 200.3, 200.13, 172, 175.1**

[56] **References Cited**

U.S. PATENT DOCUMENTS

D. 121,457 7/1940 Nu Dell D2/876

D. 136,446	10/1943	Halpern	D2/875
D. 192,158	2/1962	Dorfman	D2/876
D. 196,166	9/1963	Ellis	D2/876
D. 267,364	12/1982	De Lozada	D2/876
D. 319,137	8/1991	Thomas	D2/876
D. 390,689	2/1998	Ochiai	D2/885
625,776	5/1899	Von Klein .	
1,614,231	1/1927	Cosgrove	2/209.7
1,624,727	4/1927	Goldberg	D2/876 X
1,996,254	4/1935	Parlow .	
2,594,906	4/1952	Gardner .	
2,682,668	7/1954	Hoeflich .	
3,041,628	7/1962	Fish et al. .	
3,113,321	12/1963	Siegel	2/174
3,945,050	3/1976	Bohash .	
4,292,689	10/1981	Townsend, Jr. .	
5,129,103	7/1992	Gruneisen .	
5,428,842	7/1995	Wise .	

Primary Examiner—Paula A. Mortimer
Attorney, Agent, or Firm—John F. Carroll, IV

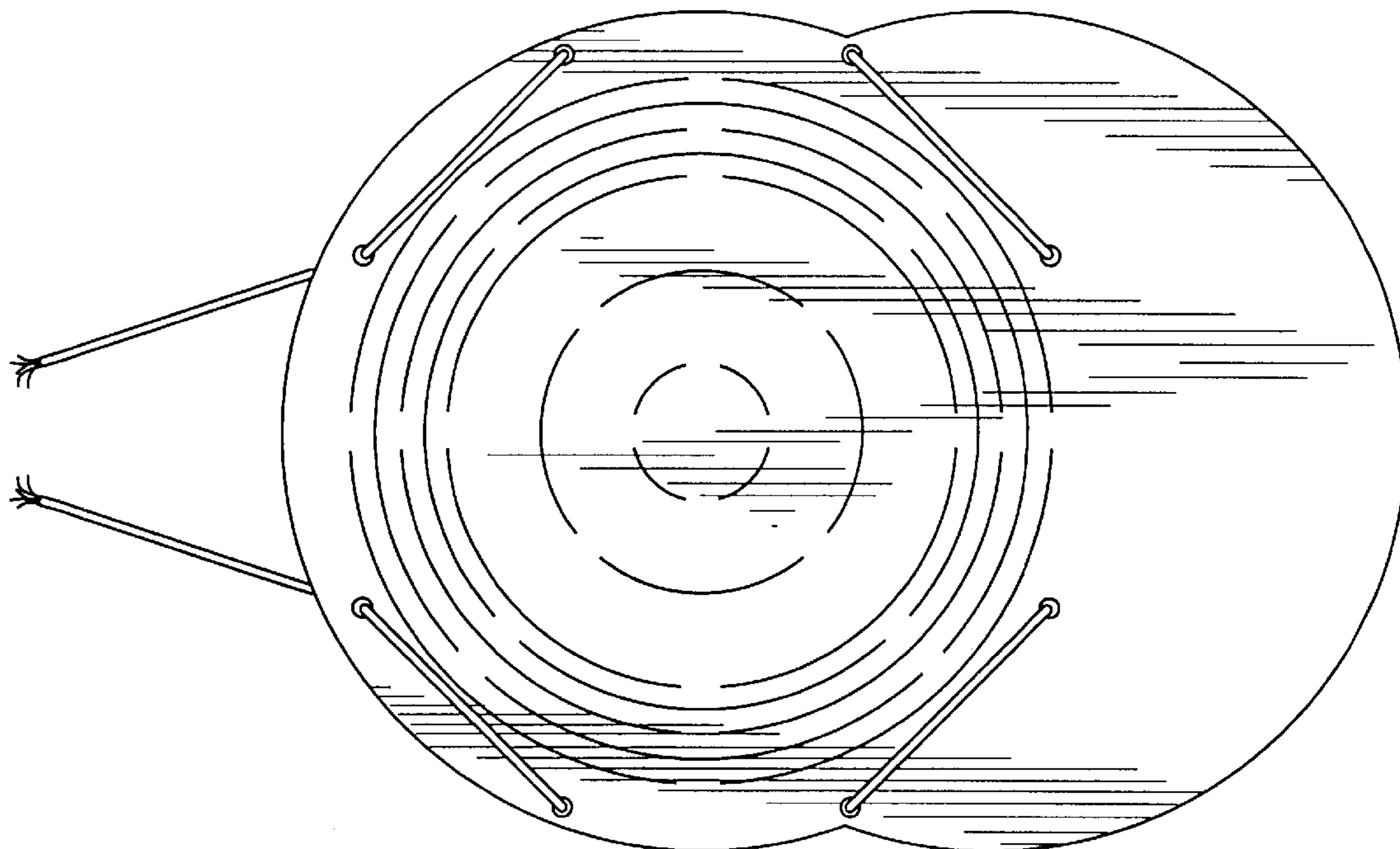
[57] **CLAIM**

The ornamental design for a die cut headwear, as shown.

DESCRIPTION

The FIGURE is a top plan view of a die cut headwear showing my new design, the opposite side is a mirror image.

1 Claim, 1 Drawing Sheet



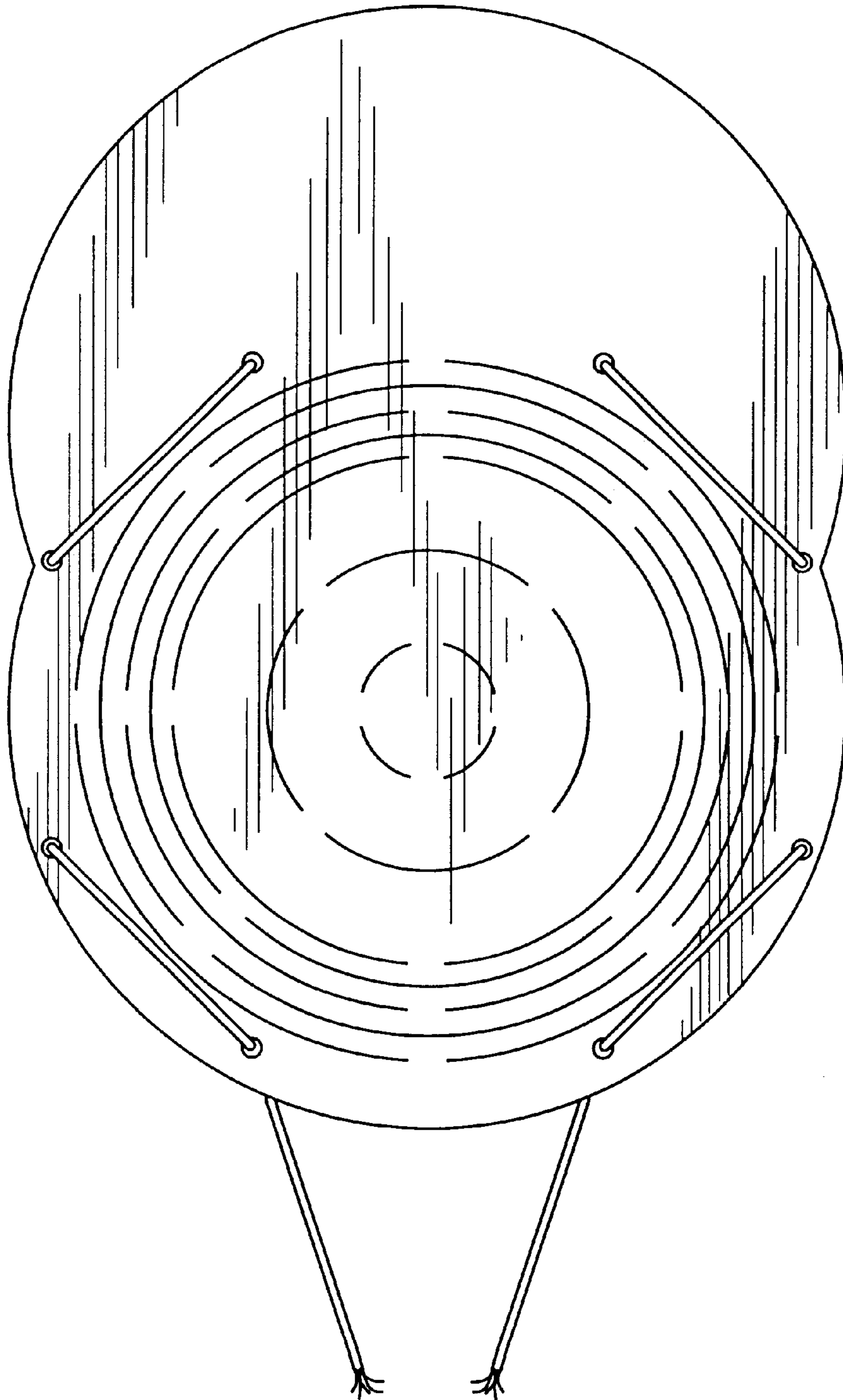


FIG. 1