



US00D412382S

United States Patent [19] Safranyos

[11] Patent Number: **Des. 412,382**

[45] Date of Patent: **** Jul. 27, 1999**

[54] **GOLF CLUB PULL CART**

3,918,735 11/1975 Denzer et al. 280/652

[76] Inventor: **James Safranyos**, 21 Safranyos La.,
Leechburg, Pa. 15656

Primary Examiner—Kay H. Chin

[**] Term: **14 Years**

[57] **CLAIM**

The ornamental design for a golf club pull cart, as shown and described.

[21] Appl. No.: **29/083,276**

[22] Filed: **Feb. 9, 1998**

DESCRIPTION

[51] **LOC (6) Cl.** **12-02**

FIG. 1 is a front elevational view of the golf club pull cart showing my new design;

[52] **U.S. Cl.** **D34/15; D34/24**

FIG. 2 is a rear elevational view thereof;

[58] **Field of Search** D34/12-27; 280/652,
280/655, 37, 47.19, DIG. 6

FIG. 3 is a right side view thereof;

FIG. 4 is a left side view thereof;

FIG. 5 is a top plan view thereof;

FIG. 6 is a bottom plan view thereof; and,

FIG. 7 is a perspective view thereof.

[56] **References Cited**

U.S. PATENT DOCUMENTS

D. 393,131 3/1998 Scandalis D34/24
2,760,782 8/1956 Hartzell 280/655

1 Claim, 4 Drawing Sheets

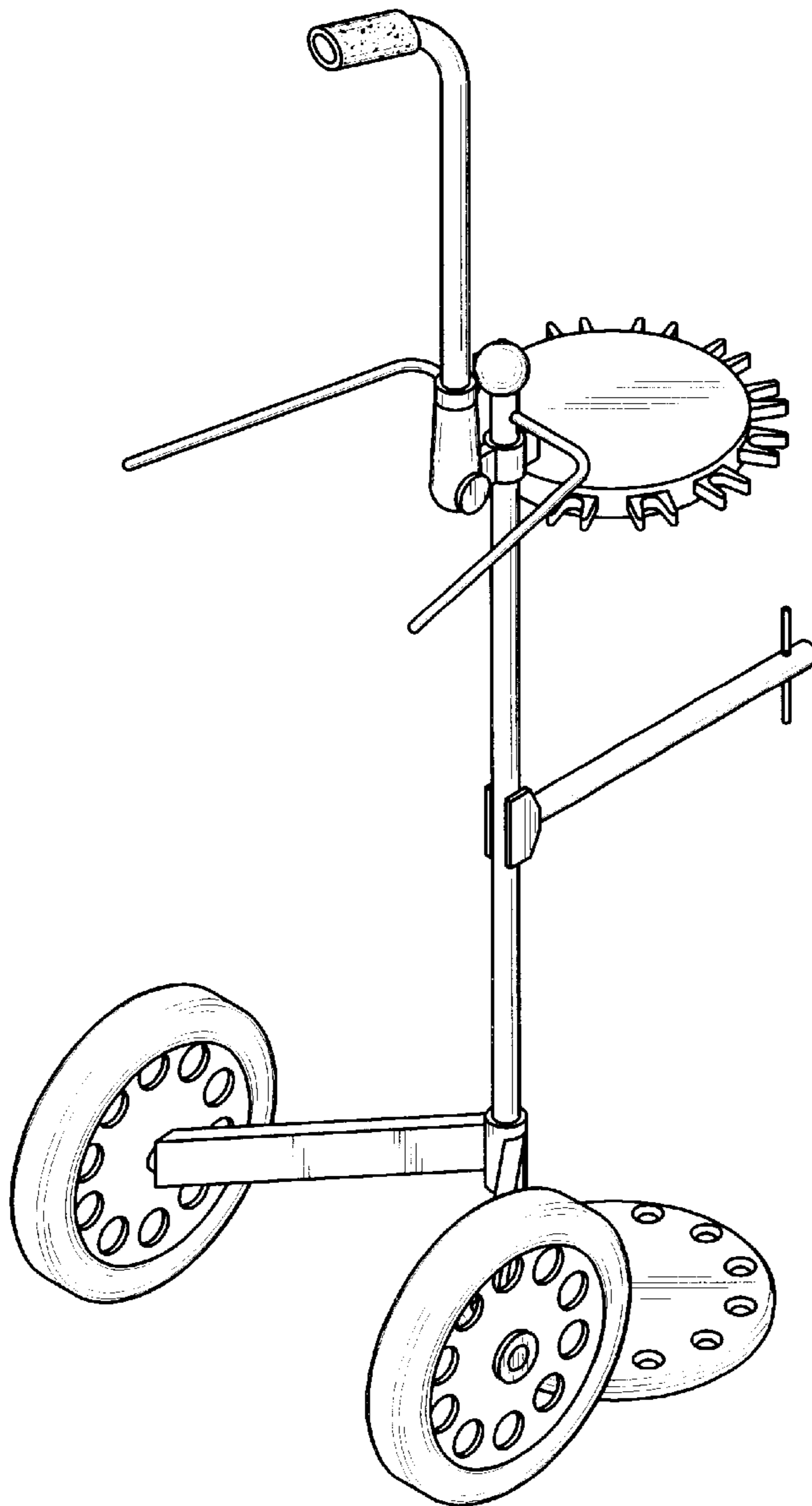


FIG. 1

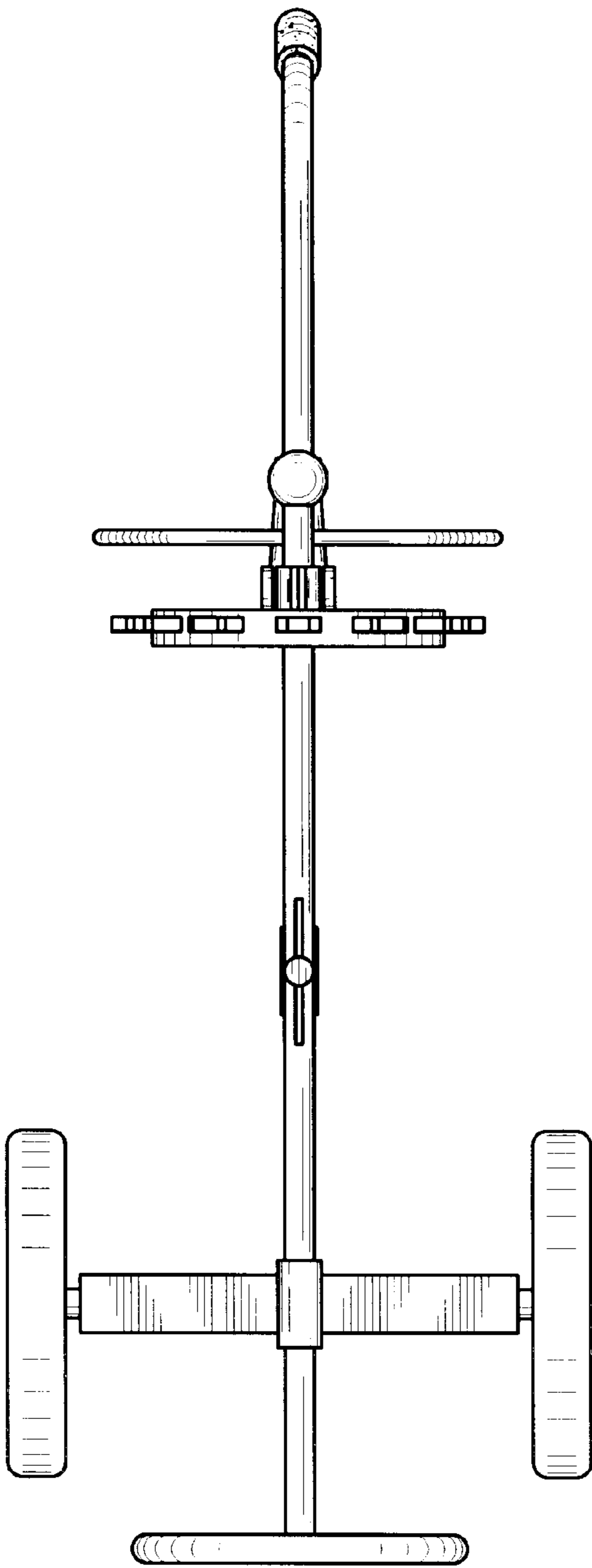
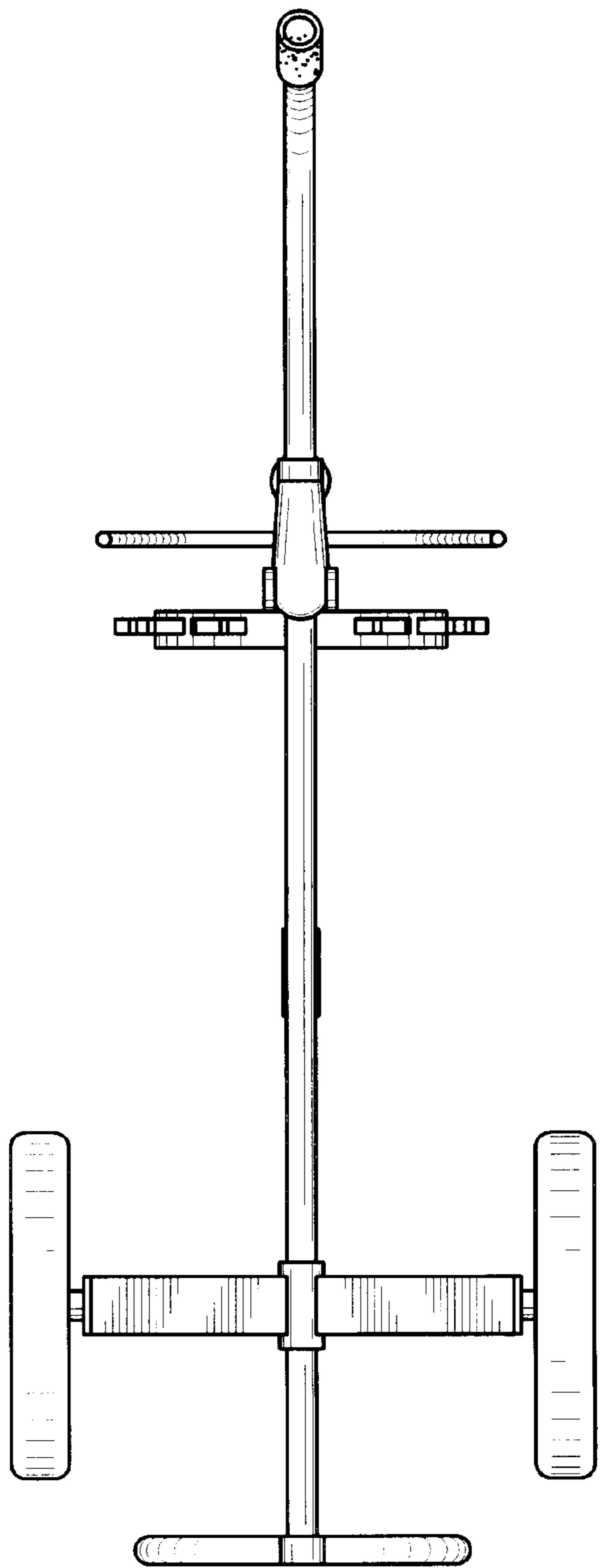


FIG. 2



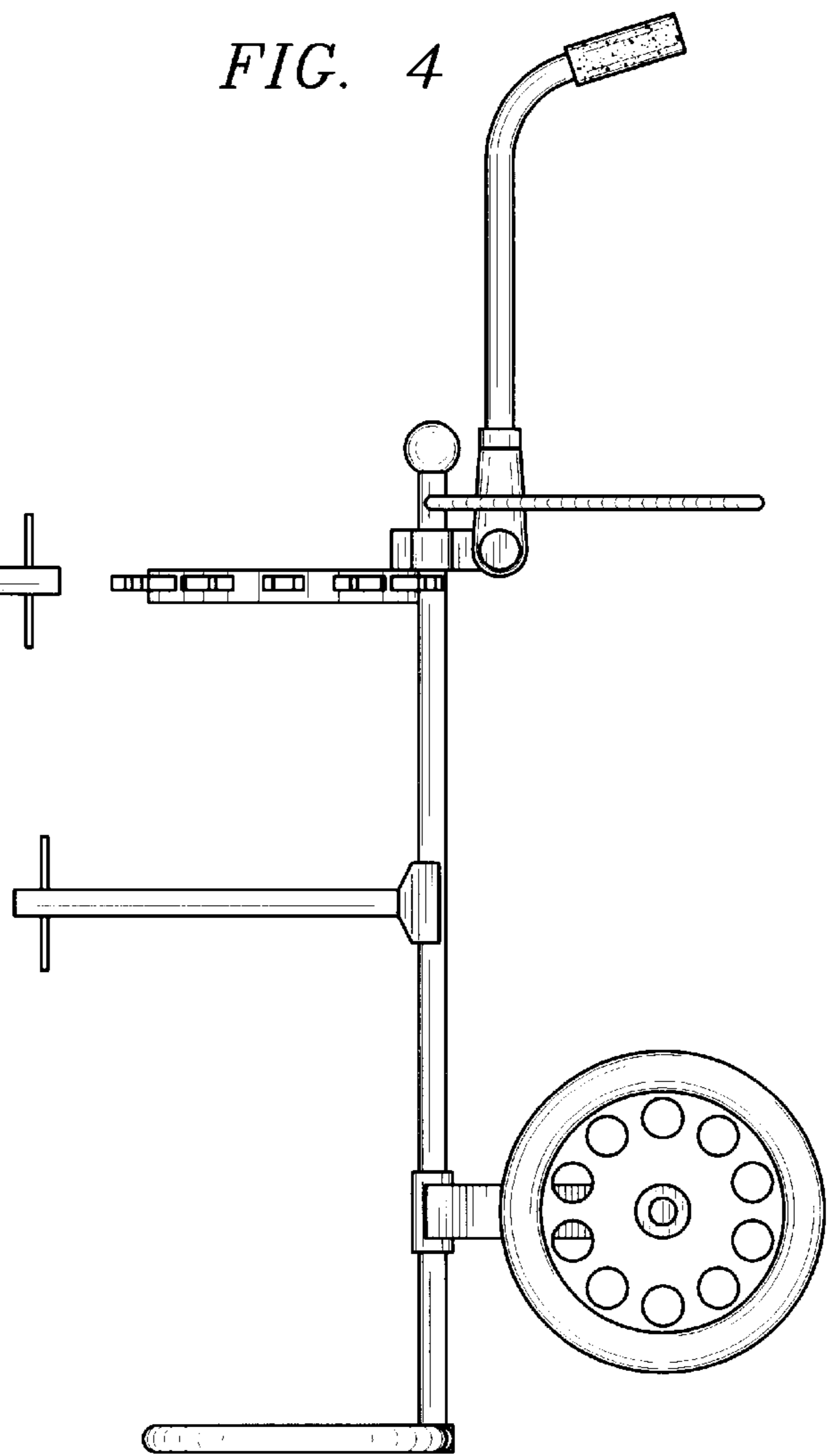
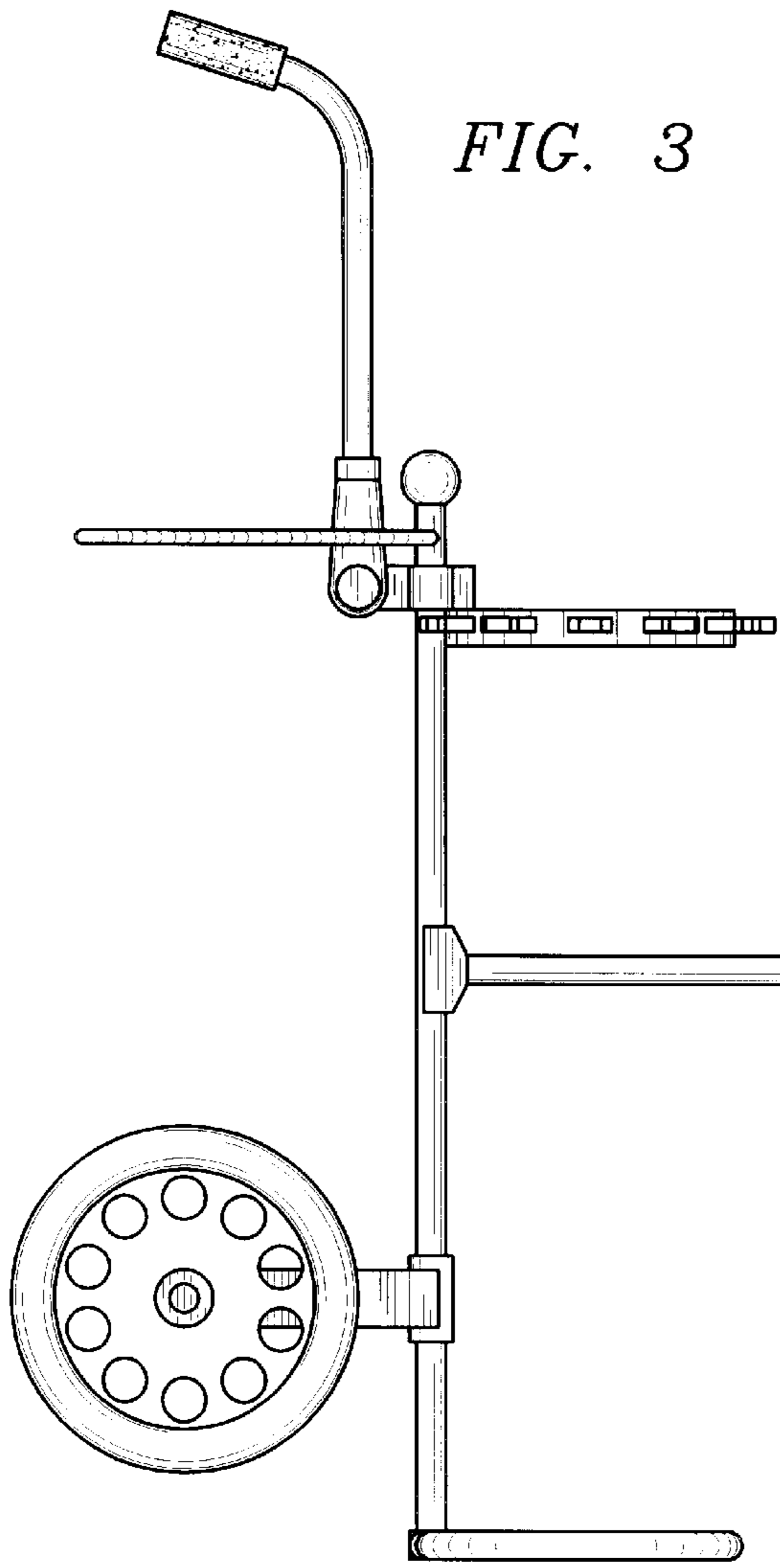


FIG. 5

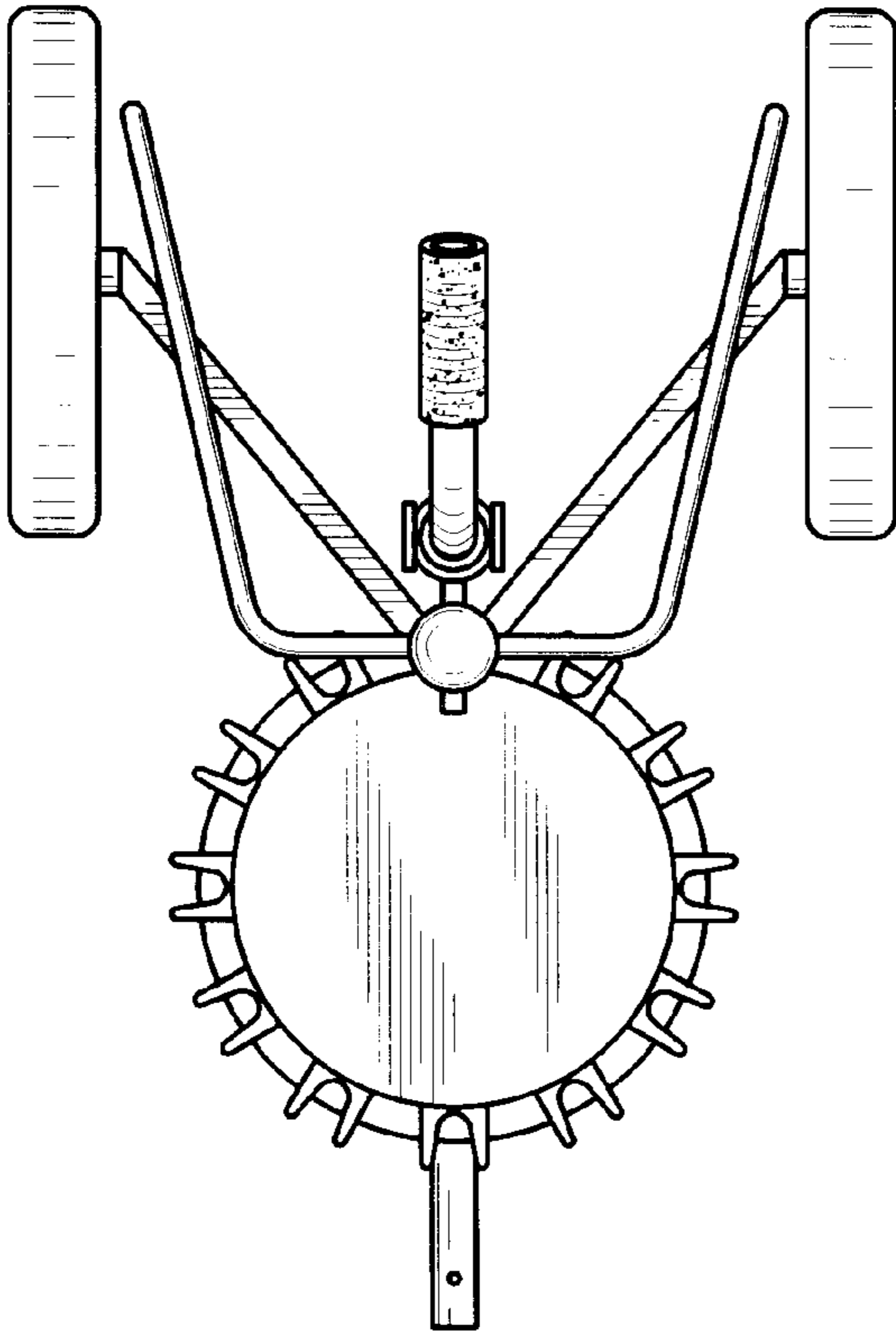


FIG. 6

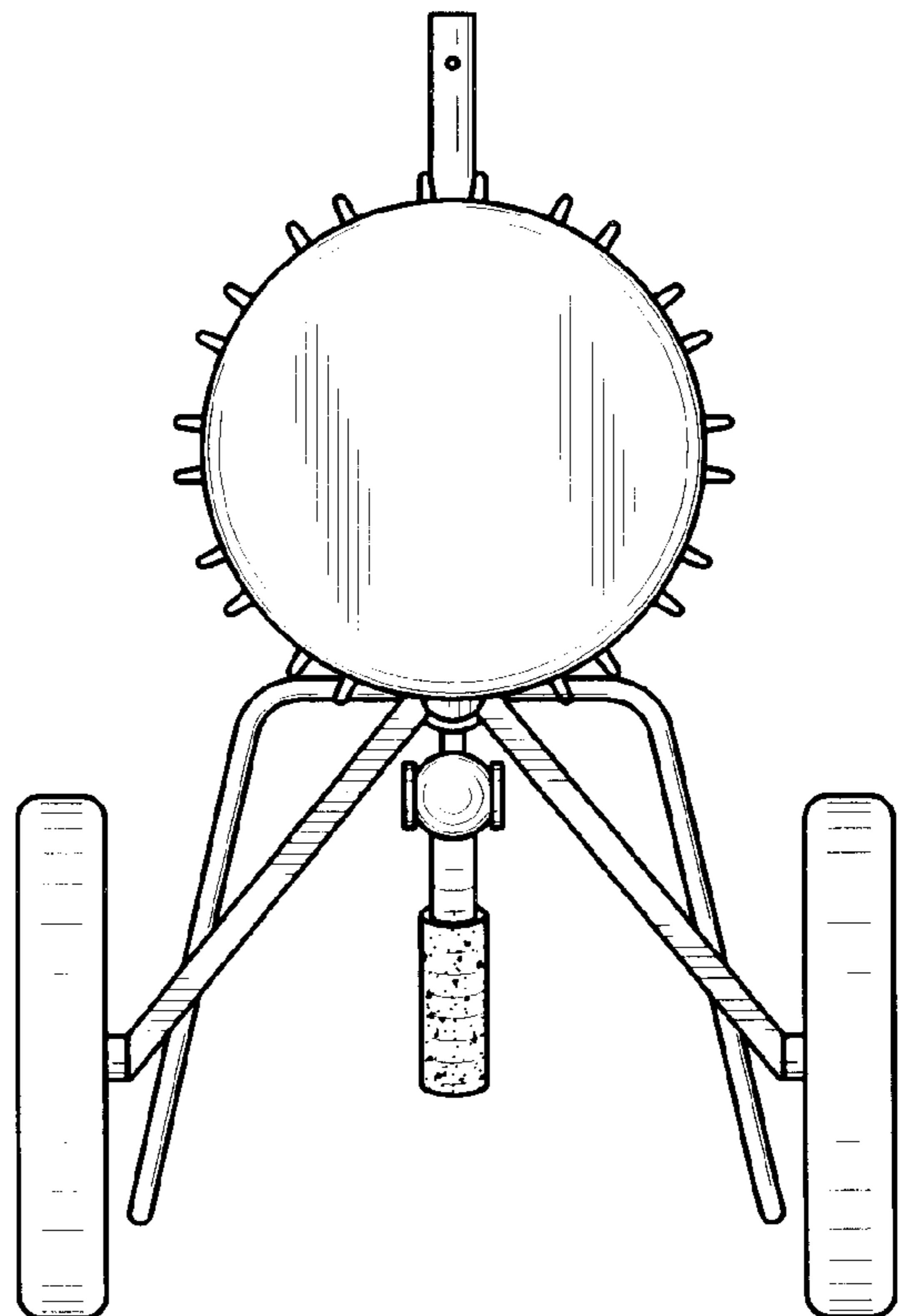


FIG. 7

