



US00D412379S

United States Patent [19]

Stephens et al.

[11] Patent Number: Des. 412,379

[45] Date of Patent: ** Jul. 27, 1999

[54] VACUUM CLEANER UPPER PORTION

[75] Inventors: **Ronald J. Stephens**, Rittman; **Sidney H. Bradd**, Solon; **Richard A. Wareham**, North Canton, all of Ohio

[73] Assignee: **The Hoover Company**, North Canton, Ohio

[**] Term: **14 Years**

[21] Appl. No.: **29/085,334**

[22] Filed: **Mar. 20, 1998**

[51] LOC (6) Cl. **15-05**

[52] U.S. Cl. **D32/31**

[58] Field of Search D32/17, 18, 21-22, D32/31-34; 15/320-323, 329, 335, 344, 347, 350-351, 352, 361, 410, 412

[56] References Cited

U.S. PATENT DOCUMENTS

D. 153,974	5/1949	Petersen	D9/2
D. 155,903	11/1949	Kelly	D9/2
D. 314,847	2/1991	Shouji et al.	D32/22
D. 315,042	2/1991	Ikeda	D32/22
D. 325,657	4/1992	Brewin	D32/22
D. 325,658	4/1992	Brewin	D32/22
D. 328,372	7/1992	Kieft	D32/31
D. 335,556	5/1993	Kuriya	D32/22
D. 344,821	3/1994	McKnight	D32/31
D. 354,593	1/1995	Koike	.	
D. 357,096	4/1995	Wareham	D32/31
D. 358,913	5/1995	Sugiyama et al.	D32/22
D. 361,181	8/1995	Wareham et al.	D32/31

D. 379,254	5/1997	Roberts et al.	D32/31
D. 387,518	12/1997	Medema	D32/22
D. 388,915	1/1998	Wareham	D32/31
D. 391,702	3/1998	Wareham et al.	D32/31
D. 400,324	1/1997	Bobrosky et al.	D32/31

OTHER PUBLICATIONS

Royal Dirt Devil Platinum, Model A500K, Introduced Aug. 1995 (see photograph).
 Fantom Fury, Model 10051, (see photograph).
 Electrolux AB Air Clean 1200, (see photograph).
 Panasonic, Model MC6855, Introduced Nov. 1992 (see photograph).
 Royal Dirt Devil Ultra MVP, Model D89200, (see photograph).
 Sharp Twin Energy, Model EL-T2650, (see photograph).

Primary Examiner—Ruth McInroy
Attorney, Agent, or Firm—A. Burgess Lowe; Bruce P. Watson

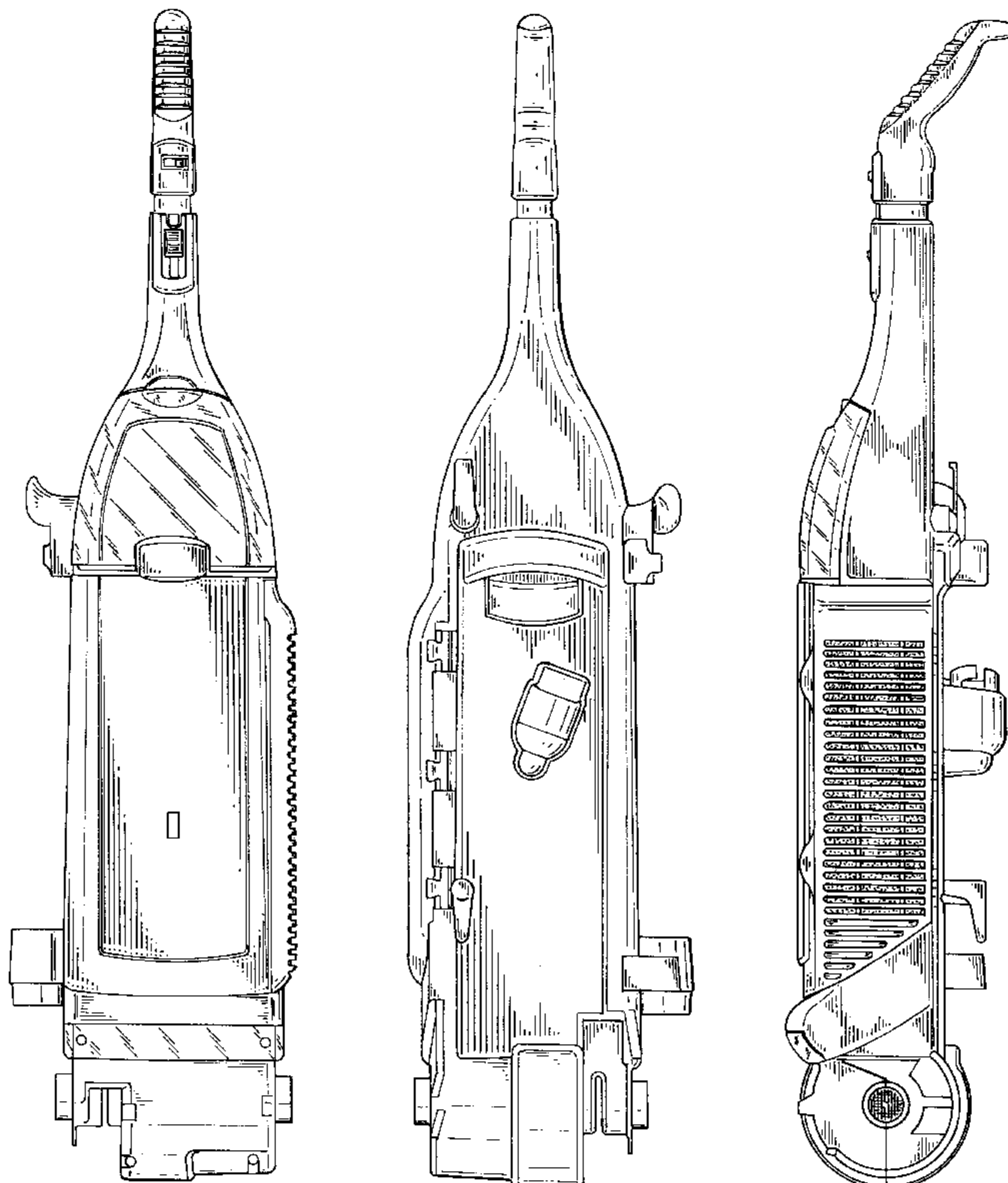
[57] CLAIM

The ornamental design for a vacuum cleaner upper portion, as shown and described.

DESCRIPTION

FIG. 1 is a front elevational view of a design for a vacuum cleaner upper portion showing our new design; FIG. 2 is a rear elevational view thereof; FIG. 3 is a right side elevational view thereof; FIG. 4 is a left side elevational view thereof; FIG. 5 is a top plan view thereof; and, FIG. 6 is a bottom plan view thereof.

1 Claim, 3 Drawing Sheets



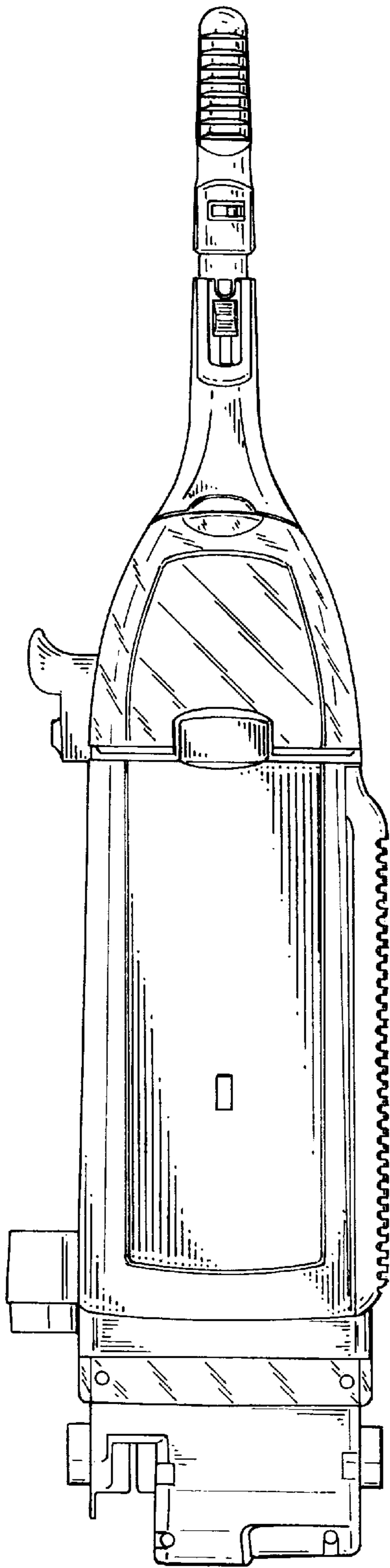


FIG. - 1

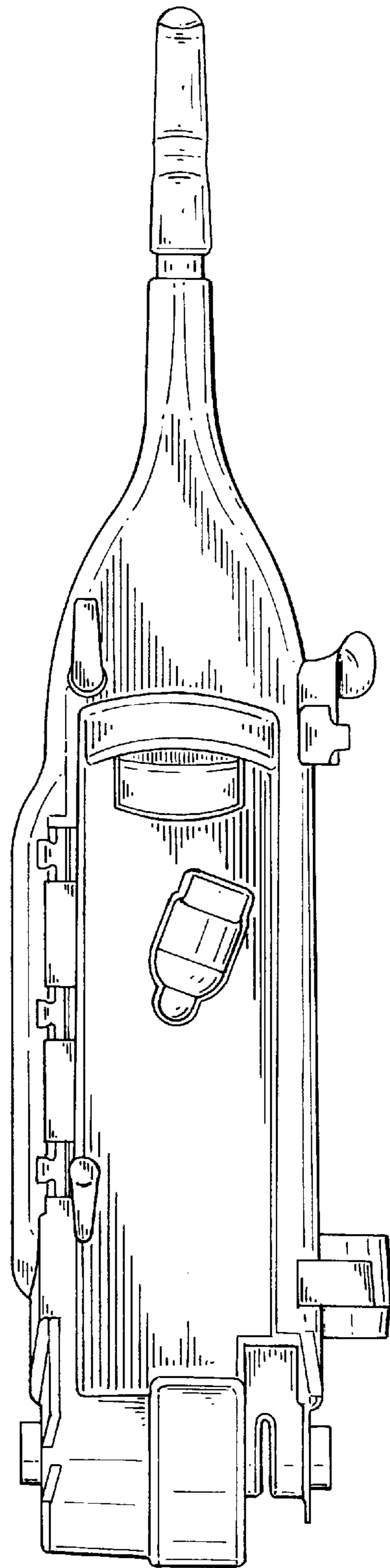


FIG. - 2

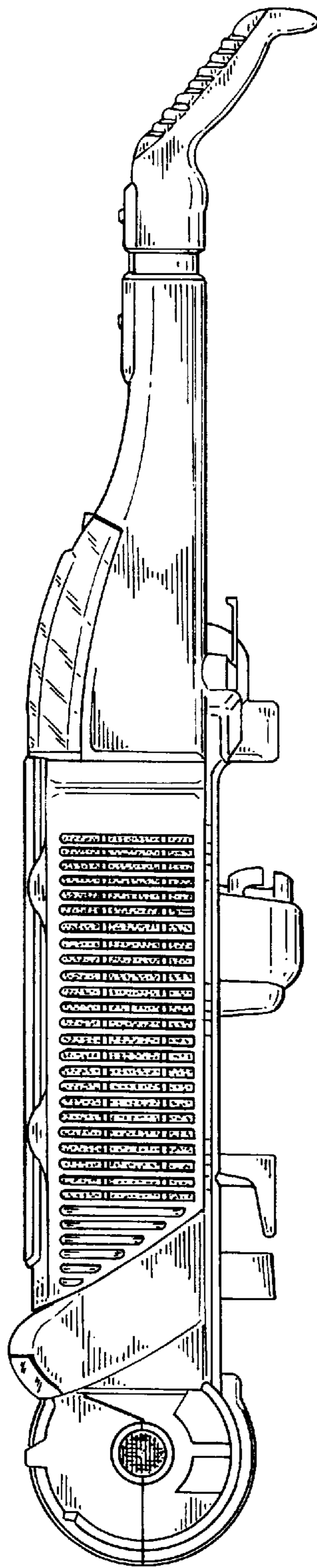


FIG. - 3

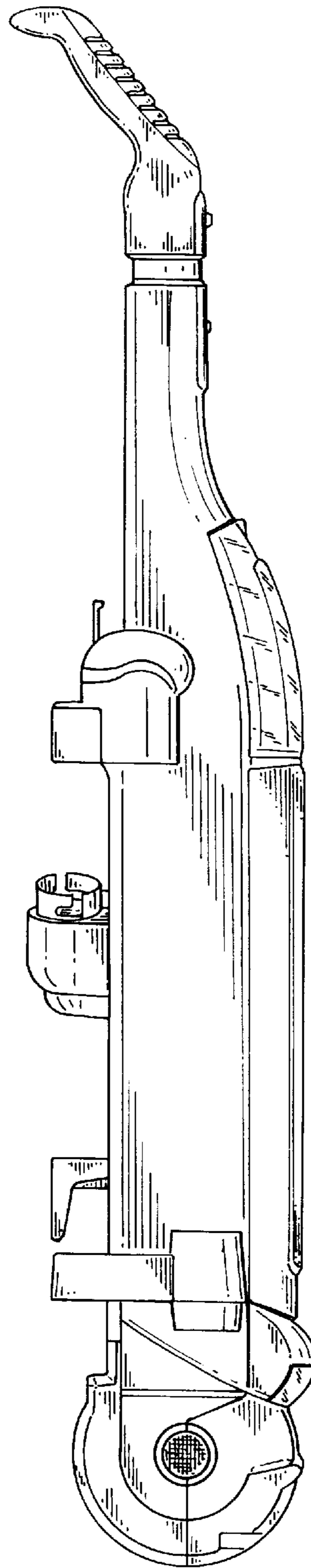


FIG. - 4

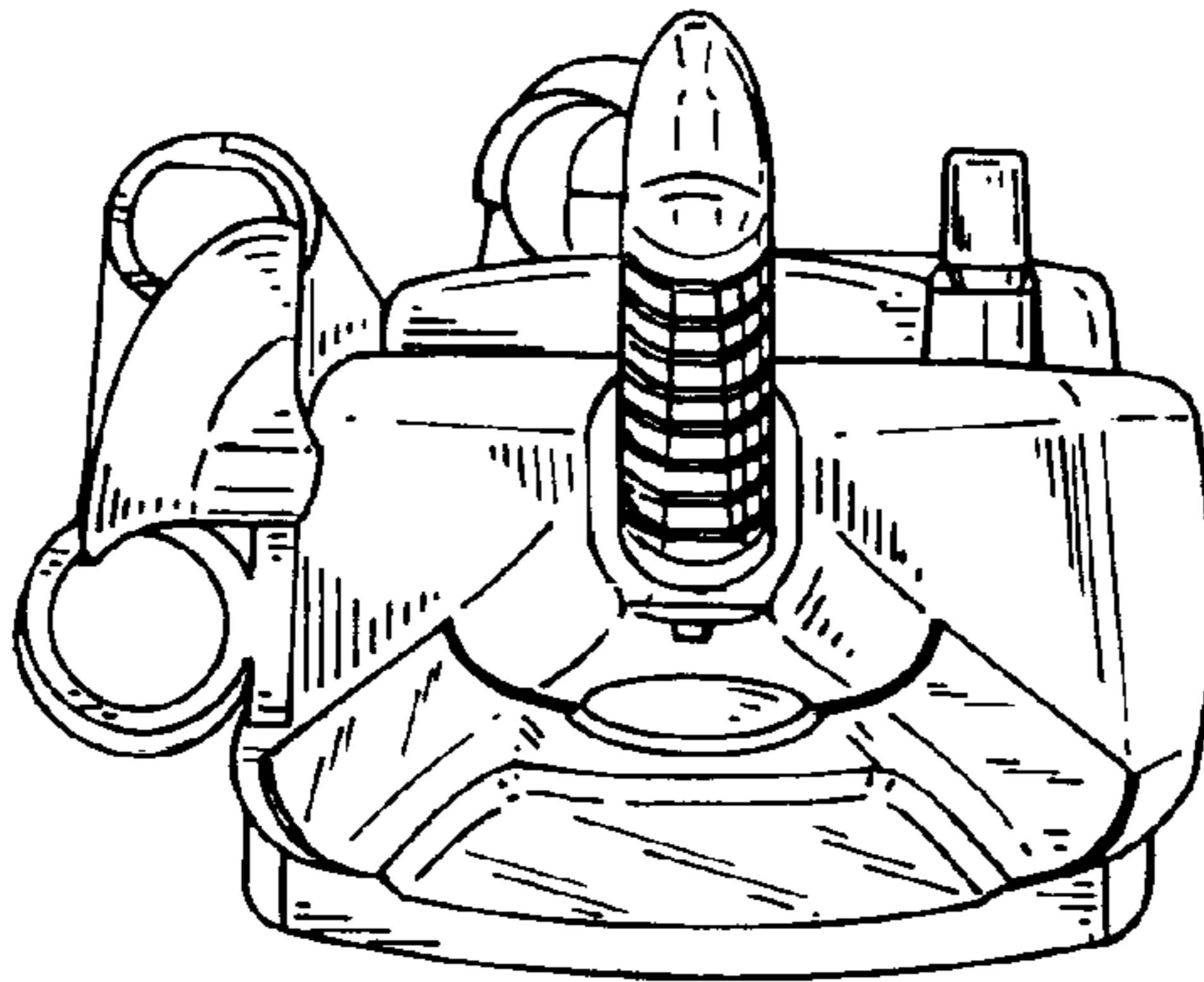


FIG. - 5

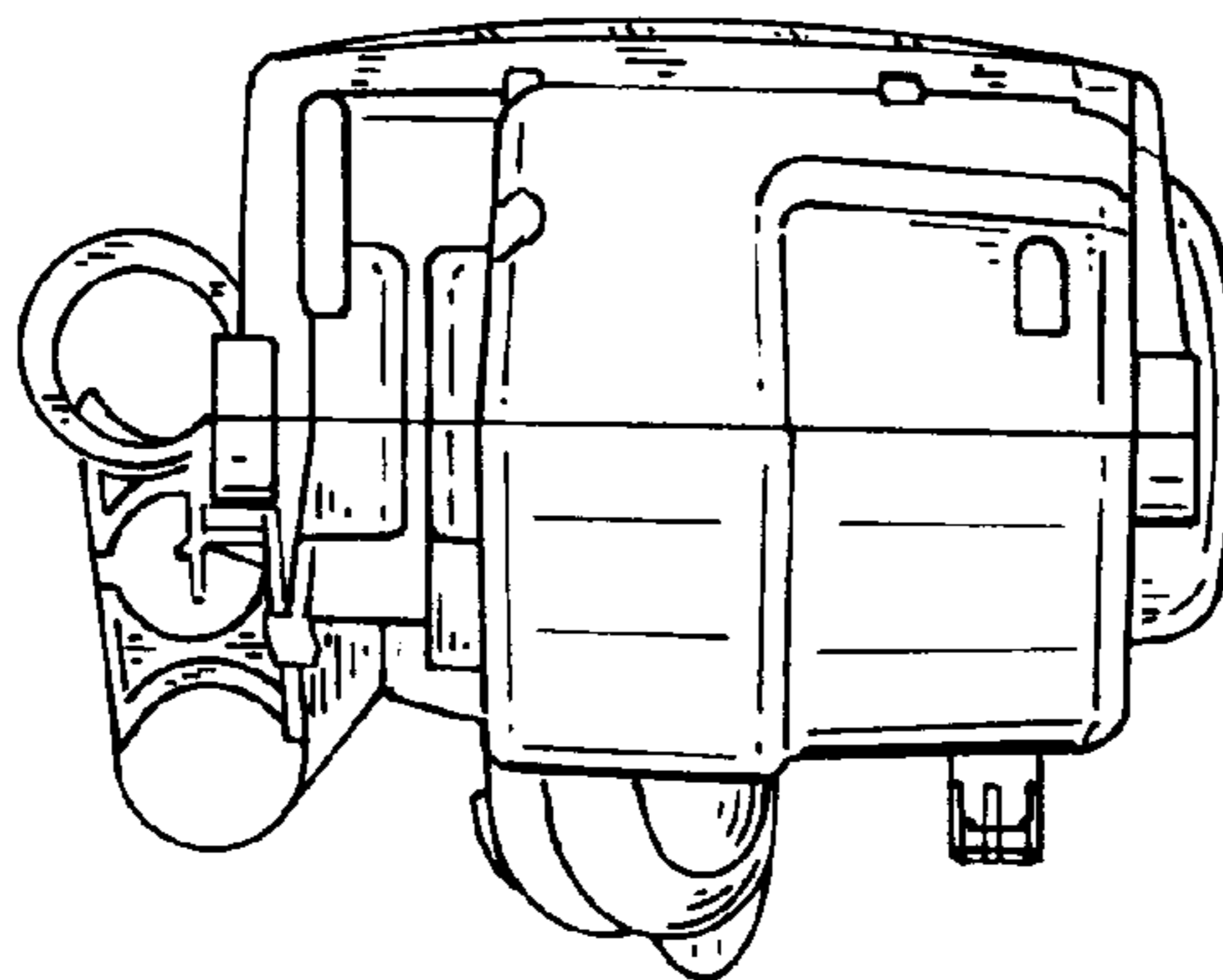


FIG. - 6