



US00D412378S

**United States Patent** [19]  
**Richardson**

[11] **Patent Number: Des. 412,378**

[45] **Date of Patent: \*\* Jul. 27, 1999**

[54] **ACCESS TOP COVER**

D. 373,664 9/1996 Jackson ..... D32/25  
3,166,112 1/1965 Fidher ..... D6/610 X

[75] Inventor: **Curtis G. Richardson, Herrin, Ill.**

[73] Assignee: **Maytag Corporation, Newton, Iowa**

[\*\*] Term: **14 Years**

*Primary Examiner*—Mitchell I Siegel  
*Attorney, Agent, or Firm*—Zarley, McKee, Thomte,  
Voorhees & Sease

[21] Appl. No.: **29/086,618**

[22] Filed: **Apr. 16, 1998**

[57] **CLAIM**

I claim the ornamental design for an access top cover, as shown and described.

[51] **LOC (6) Cl.** ..... **15-05**

[52] **U.S. Cl.** ..... **D32/25**

[58] **Field of Search** ..... D32/25; D6/610,  
D6/617; 68/196

**DESCRIPTION**

FIG. 1 is a perspective view of the design for an improved access top cover

FIG. 2 is a front elevational view thereof.

FIG. 3 is a rear elevational view thereof.

FIG. 4 is a side elevational view thereof.

FIG. 5 is a top plan view thereof; and,

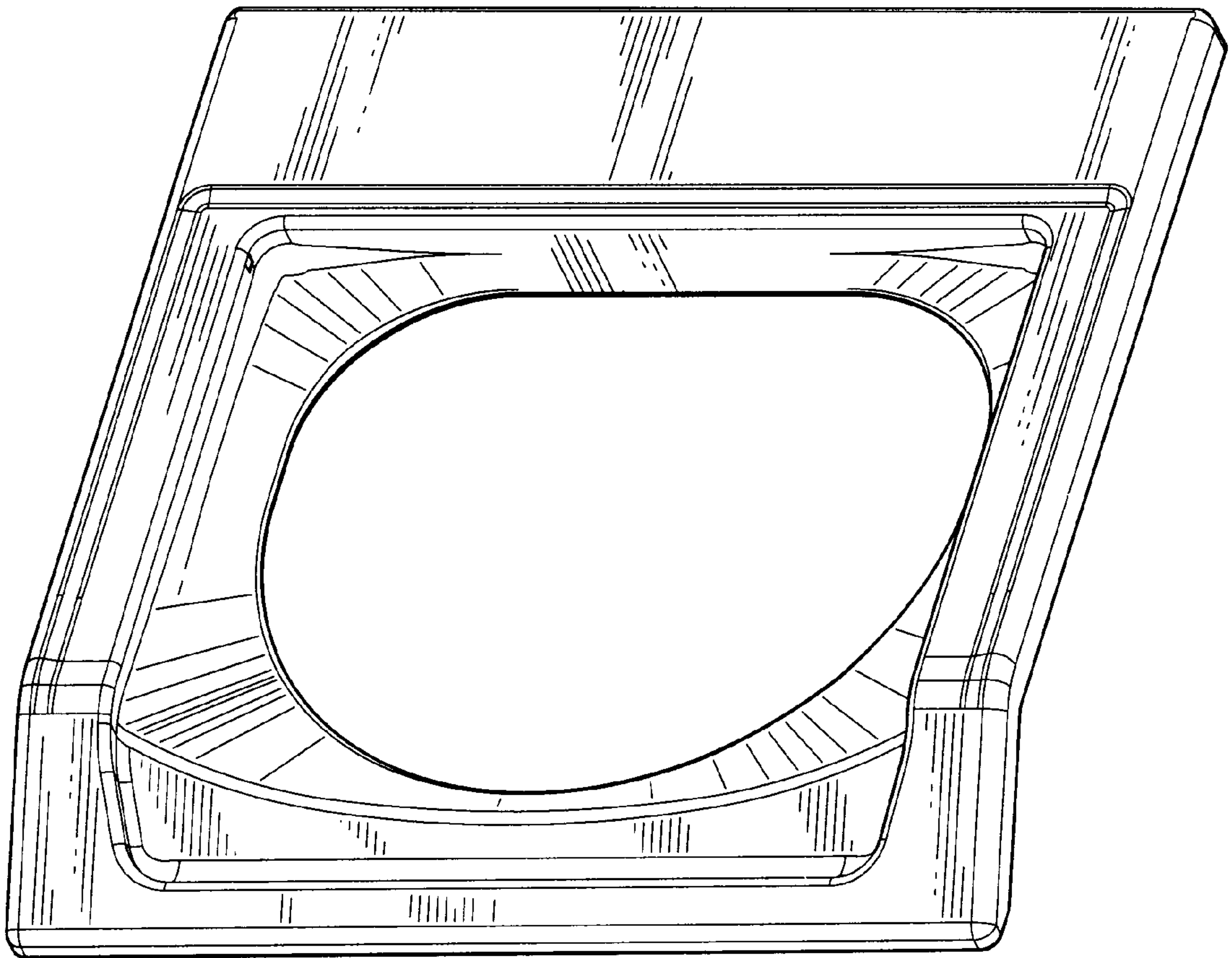
FIG. 6 is a bottom plan view thereof.

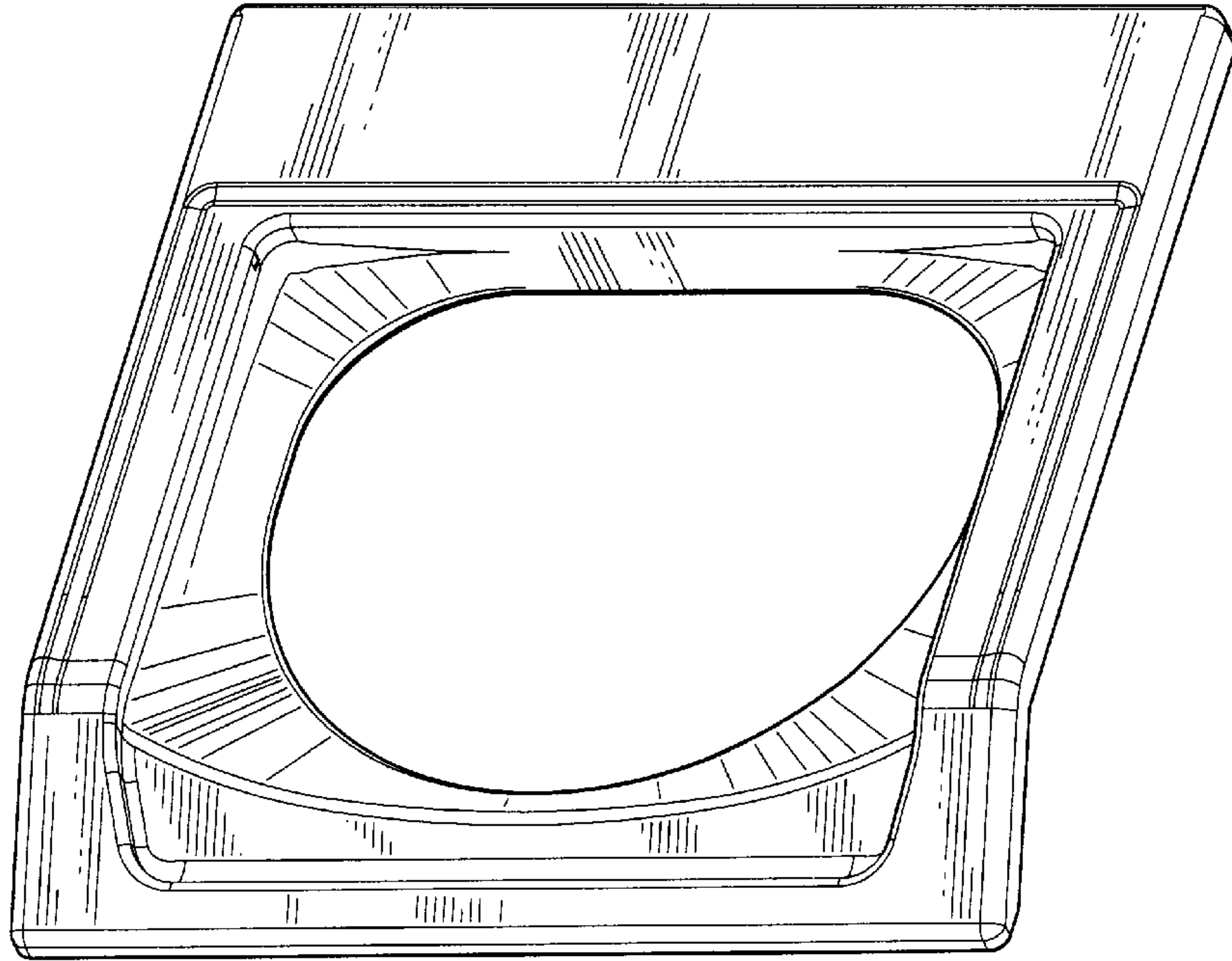
[56] **References Cited**

**U.S. PATENT DOCUMENTS**

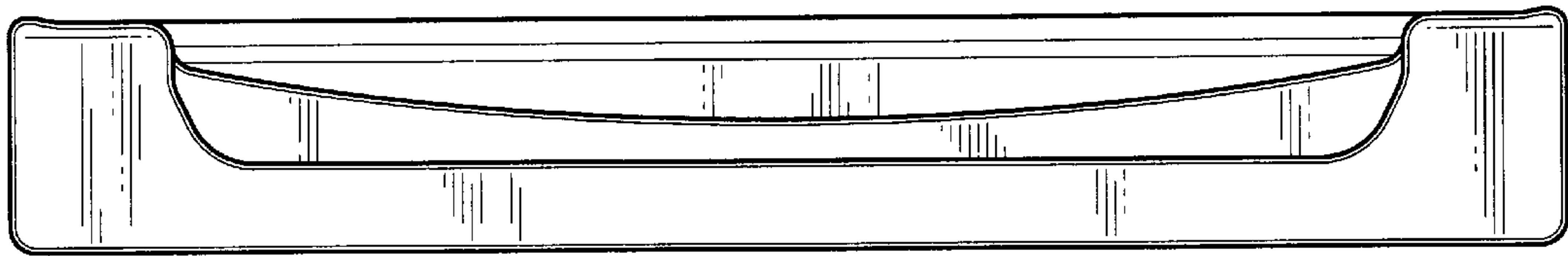
D. 119,513 3/1940 Wolff ..... D32/25  
D. 240,882 8/1976 Knight ..... D32/25  
D. 322,192 12/1991 Alvey ..... D6/610

**1 Claim, 3 Drawing Sheets**

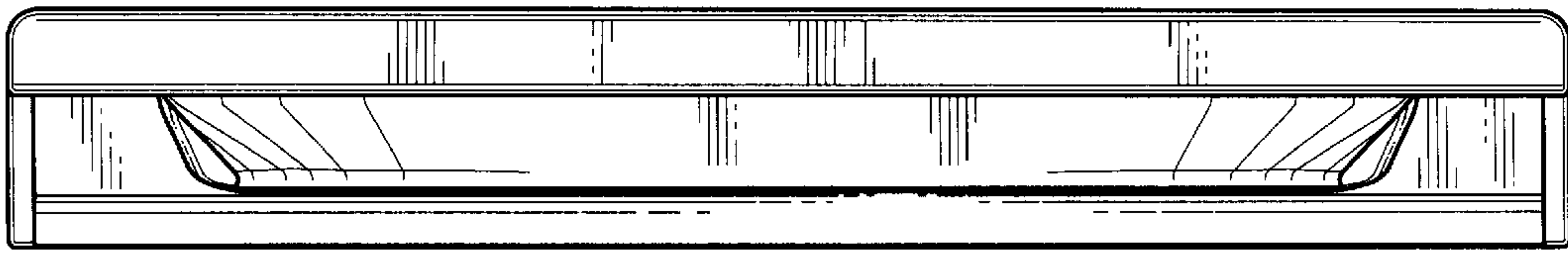




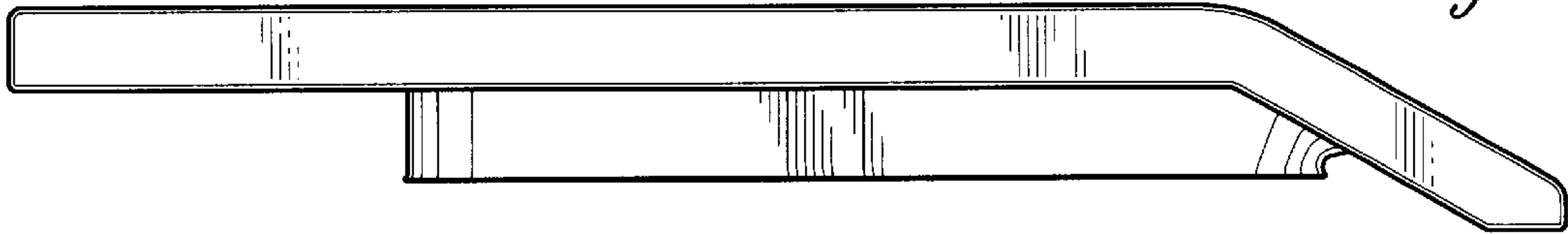
*Fig. 1*



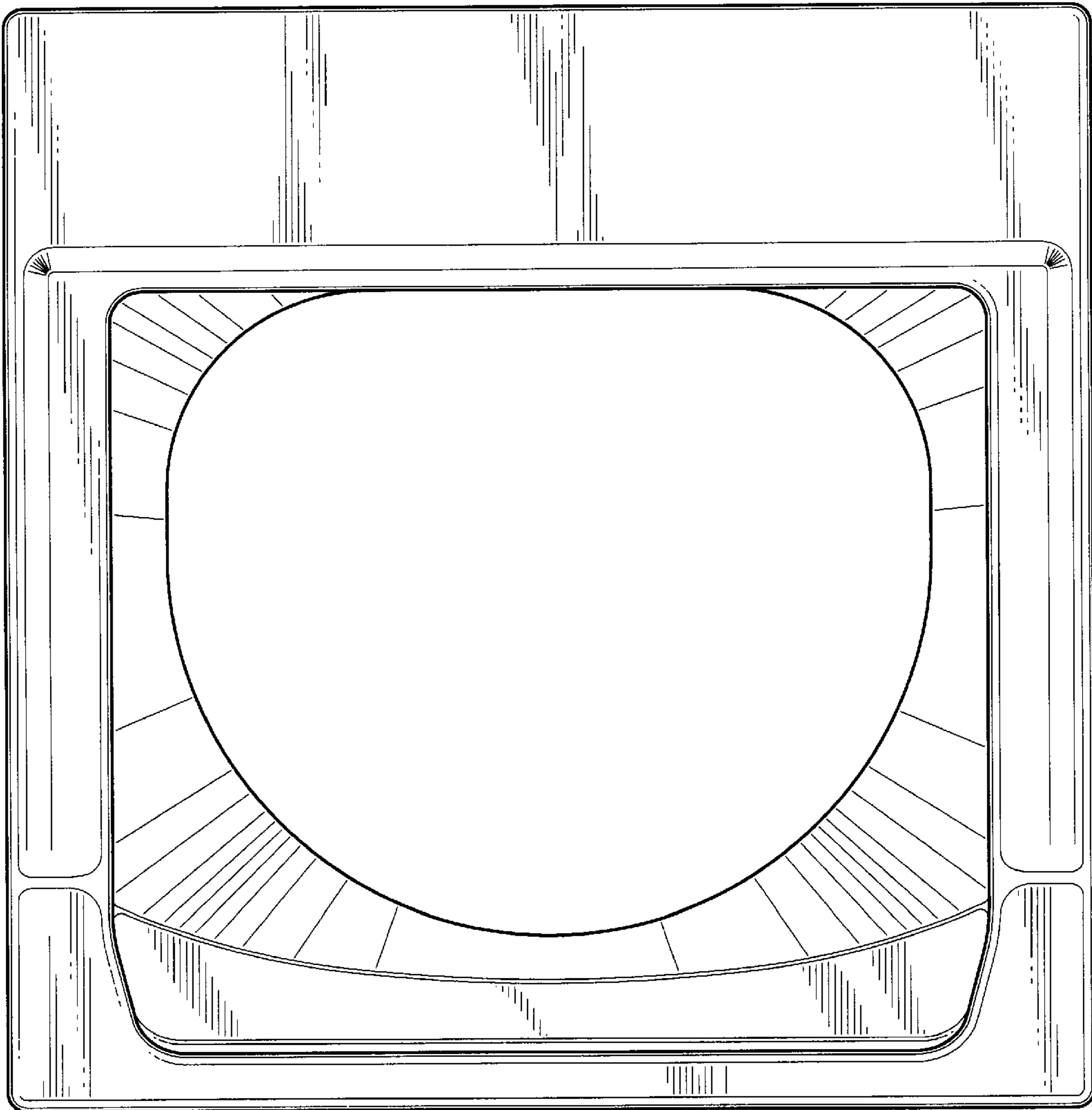
*Fig. 2*



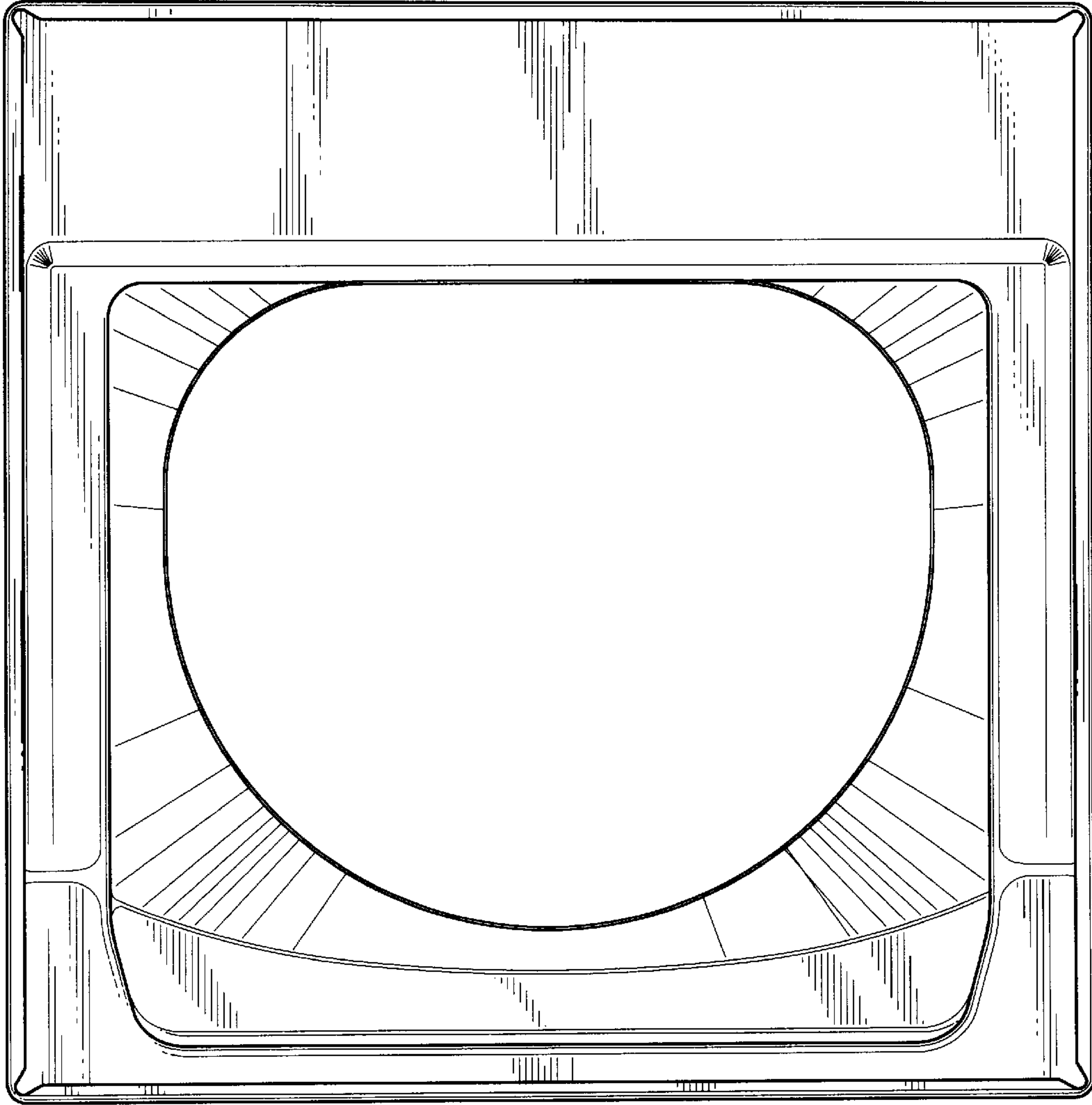
*Fig. 3*



*Fig. 4*



*Fig. 5*



*Fig. 6*