



US00D412377S

# United States Patent [19]

Sharon

[11] Patent Number: **Des. 412,377**

[45] Date of Patent: **\*\* Jul. 27, 1999**

[54] **ELEVATED PET FEEDER**

[76] Inventor: **Arie Sharon**, 7302 Shawn Dr., Rowlett, Tex. 75088

[\*\*] Term: **14 Years**

[21] Appl. No.: **29/083,625**

[22] Filed: **Feb. 13, 1998**

[51] **LOC (6) Cl.** ..... **30-03**

[52] **U.S. Cl.** ..... **D30/130**

[58] **Field of Search** ..... D30/121-122, D30/129-133; 119/71, 51.11, 51.5, 74, 77, 52.1, 60-61; D7/500, 560, 543, 545, 360, 354

D. 313,489	1/1991	Conner	.....	D30/130
D. 315,974	4/1991	Setiner	.....	D30/131
D. 340,552	10/1993	Smith	.....	D30/121
D. 374,513	10/1996	Melvin	.....	D30/121
D. 374,517	10/1996	Morrill	.....	D30/133
D. 377,244	1/1997	Steininger	.....	D30/133
3,405,685	10/1968	Harrell	.....	119/61
3,995,595	12/1976	Williams	.	
4,532,891	8/1985	Jones	.....	119/61

*Primary Examiner*—Cathy Anne MacCormac  
*Attorney, Agent, or Firm*—Patrick J. Glynn

### [57] CLAIM

The ornamental design for elevated pet feeder, as shown and described.

### DESCRIPTION

FIG. 1 is a top plan view of the elevated pet feeder showing my new design;  
FIG. 2 is a front elevational view thereof, the rear being a mirror image of the front;  
FIG. 3 is a bottom plan view thereof; and,  
FIG. 4 is a side elevational view thereof.

### [56] References Cited

#### U.S. PATENT DOCUMENTS

D. 105,450	5/1937	Clifton	.	
D. 209,677	12/1967	Robert	.	
D. 217,360	4/1970	Robert	.	
D. 237,787	11/1975	Weyrich, Jr.	.....	D30/133
D. 257,494	11/1980	Imhoff	.	
D. 289,807	5/1987	Russell	.	

**1 Claim, 1 Drawing Sheet**

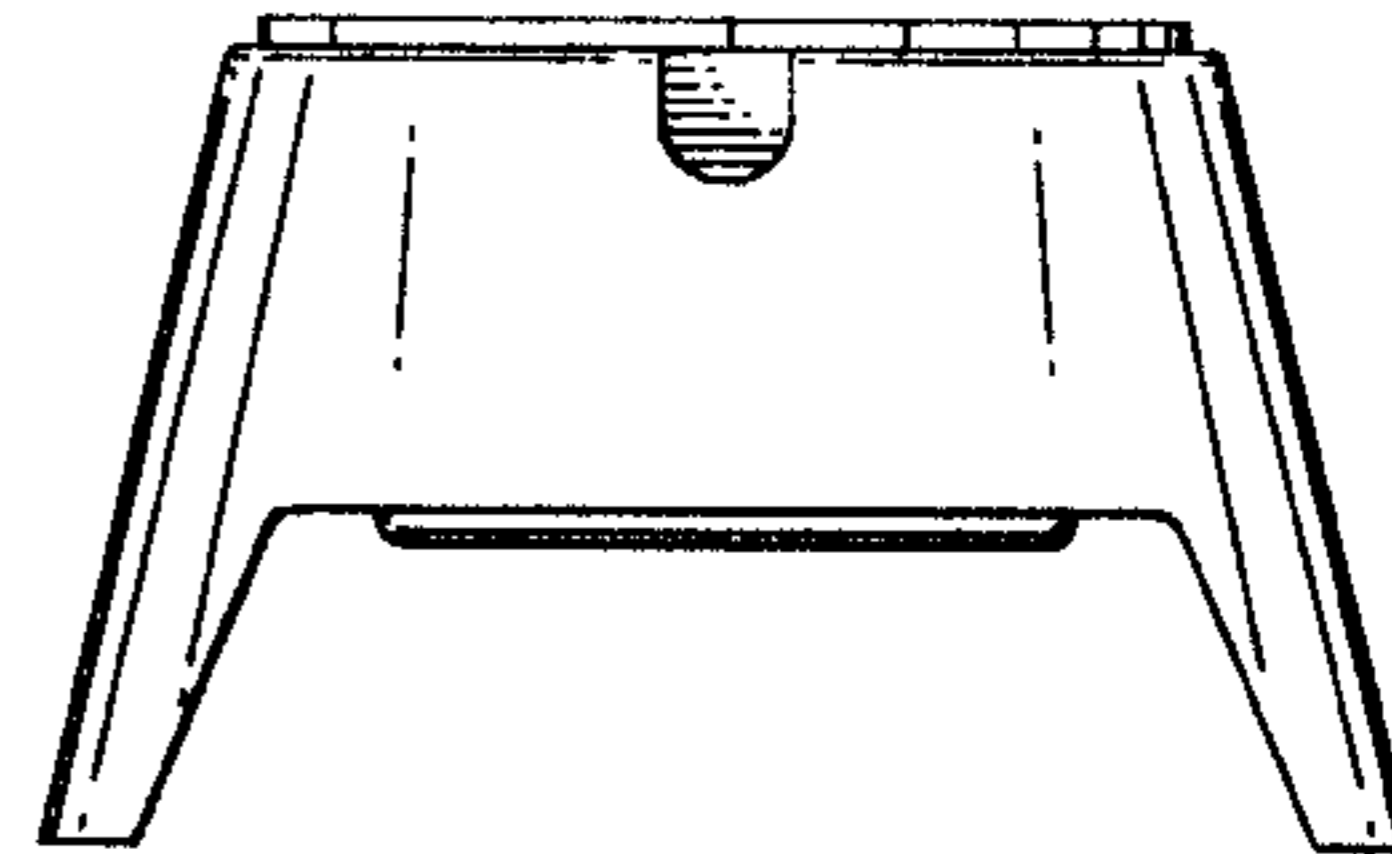
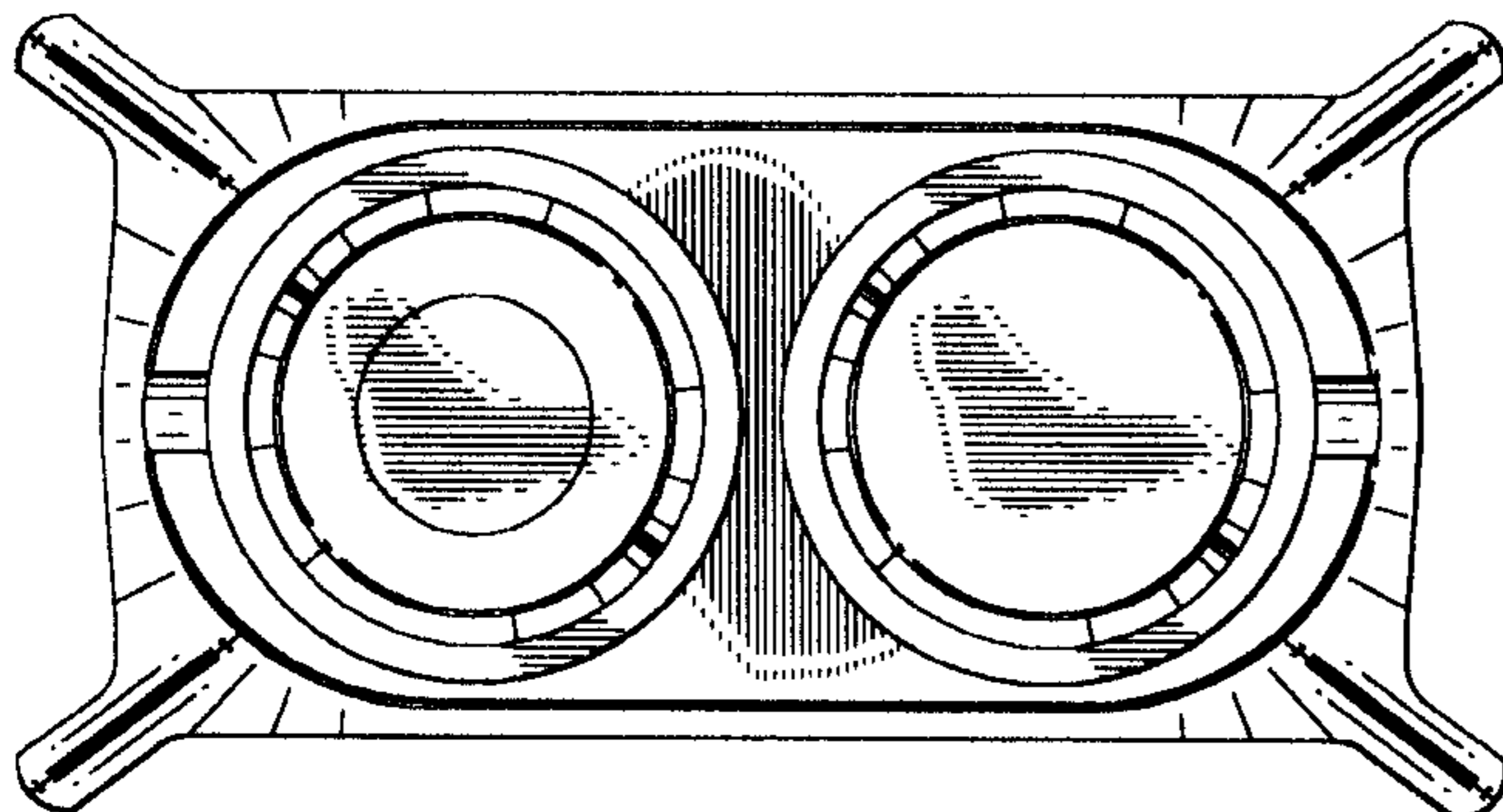


FIG. 1

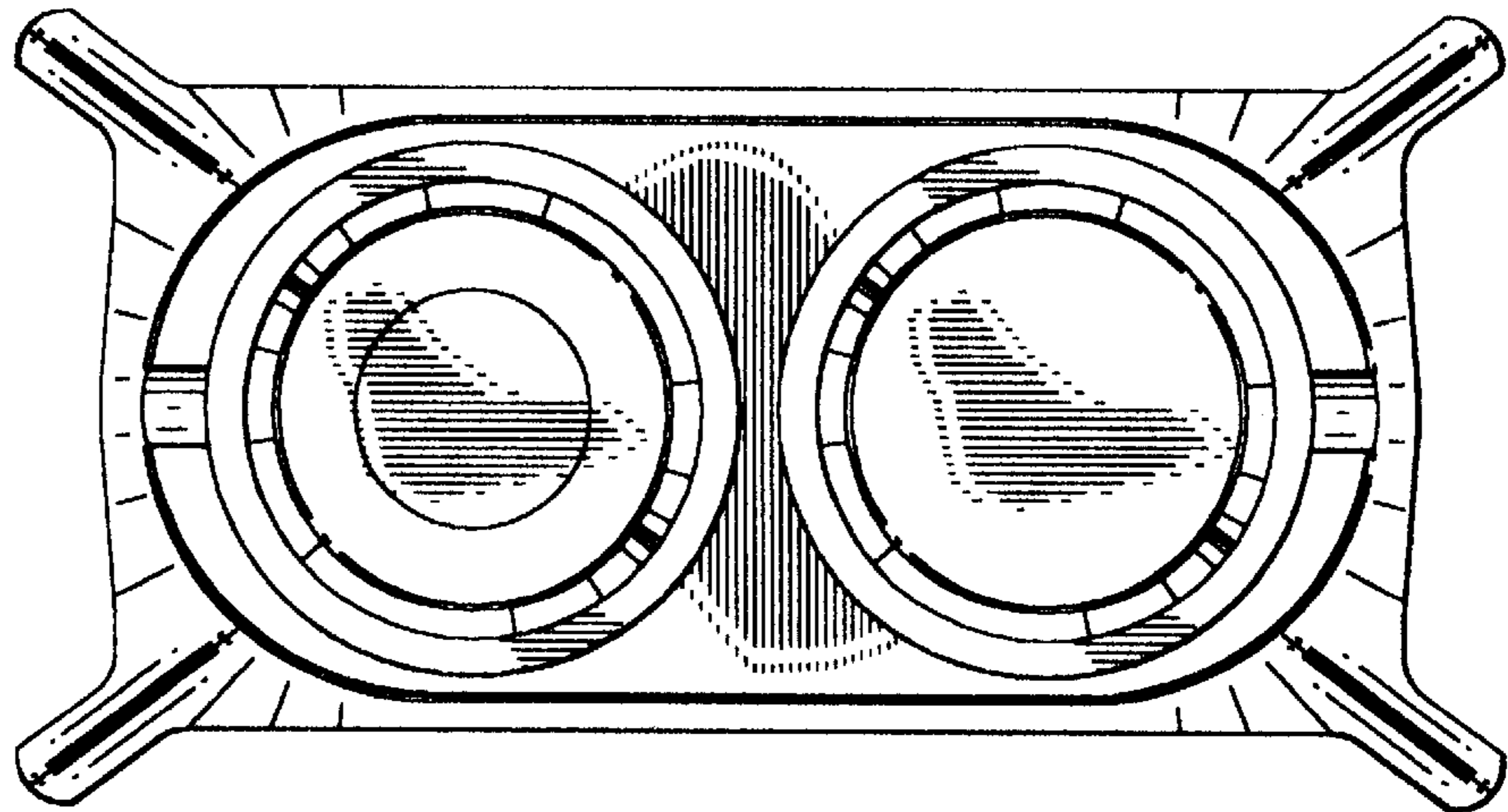


FIG. 2

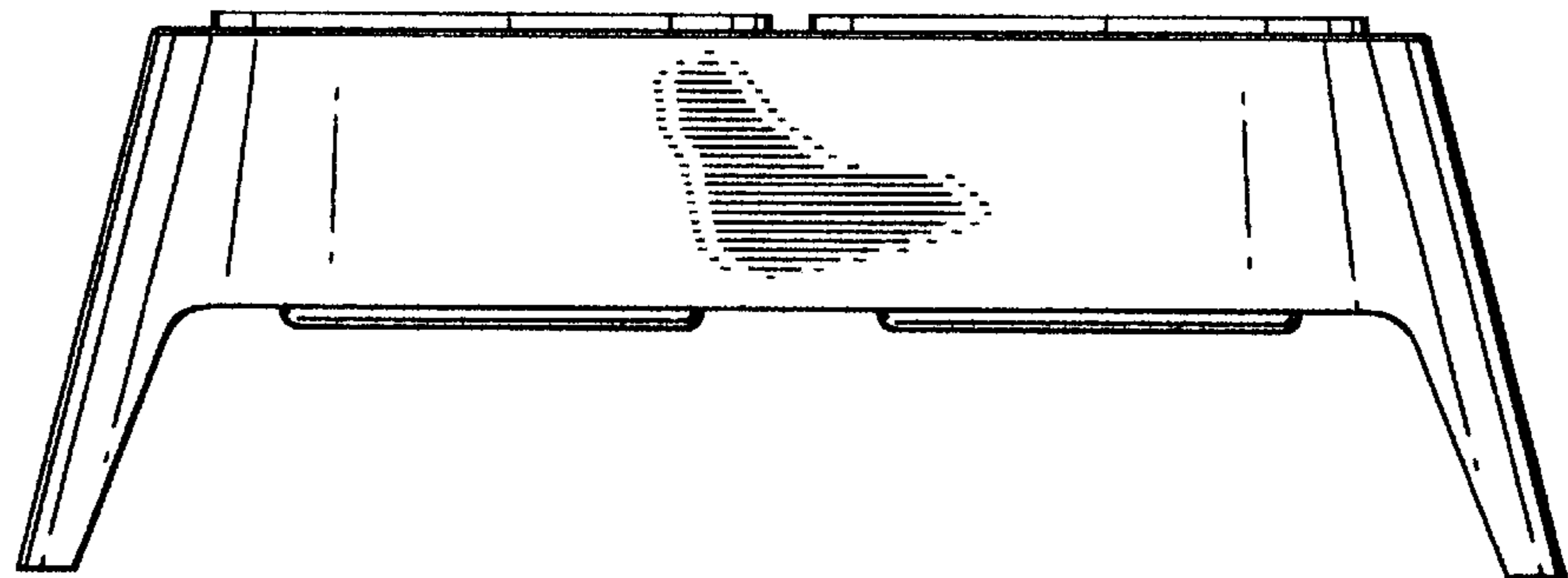


FIG. 3

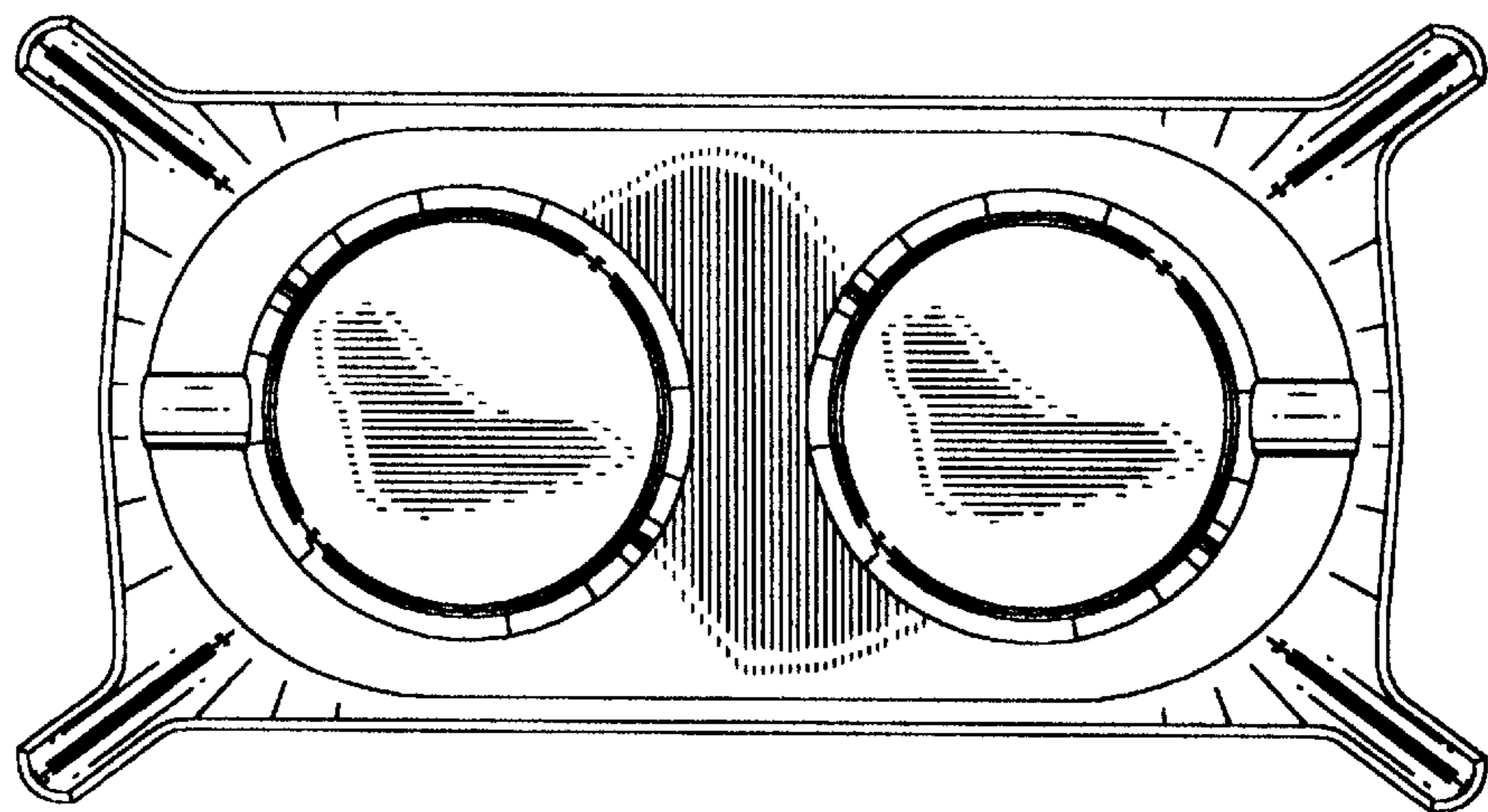


FIG. 4

