



US00D412371S

United States Patent [19]
Yuen

[11] **Patent Number: Des. 412,371**
[45] **Date of Patent: ** Jul. 27, 1999**

[54] **COMBINED LIGHT, EMERGENCY
BLINKING LIGHT AND TOOL BOX**

D. 376,908 12/1996 Hsu D26/38
4,855,881 8/1989 Pence 362/154
5,301,829 4/1994 Chrisco 306/373

[75] Inventor: **John Se-Kit Yuen**, Kowloon, The Hong
Kong Special Administrative Region of
the People's Republic of China

FOREIGN PATENT DOCUMENTS

2000654 9/1990 United Kingdom .
2031296 5/1993 United Kingdom .

[73] Assignee: **John Manufacturing Limited**,
Kowloon, The Hong Kong Special
Administrative Region of the People's
Republic of China

Primary Examiner—Marcus A. Jackson
Attorney, Agent, or Firm—Fay, Sharpe, Beall, Fagan,
Minnich & McKee

[**] Term: **14 Years**

[57] **CLAIM**

[21] Appl. No.: **29/081,092**

The ornamental design for a combined light, emergency
blinking light and tool box, as shown and described.

[22] Filed: **Dec. 19, 1997**

DESCRIPTION

[30] **Foreign Application Priority Data**

Jul. 2, 1997 [GB] United Kingdom 2 067 091

FIG. 1 is a rear perspective view with parts shown in open
position of a combined light emergency blinking light and
tool box;

[51] **LOC (6) Cl.** **26-02**

FIG. 2 is a top plan view thereof;

[52] **U.S. Cl.** **D26/38; D3/274**

FIG. 3 is an underneath plan view thereof;

[58] **Field of Search** **D26/37-50; D3/274,**

FIG. 4 is a right side elevational view thereof;

D3/905; 362/109, 154, 183-208; 206/349,

FIG. 5 is a left side elevational view thereof;

372, 373

FIG. 6 is a front elevational view thereof; and,

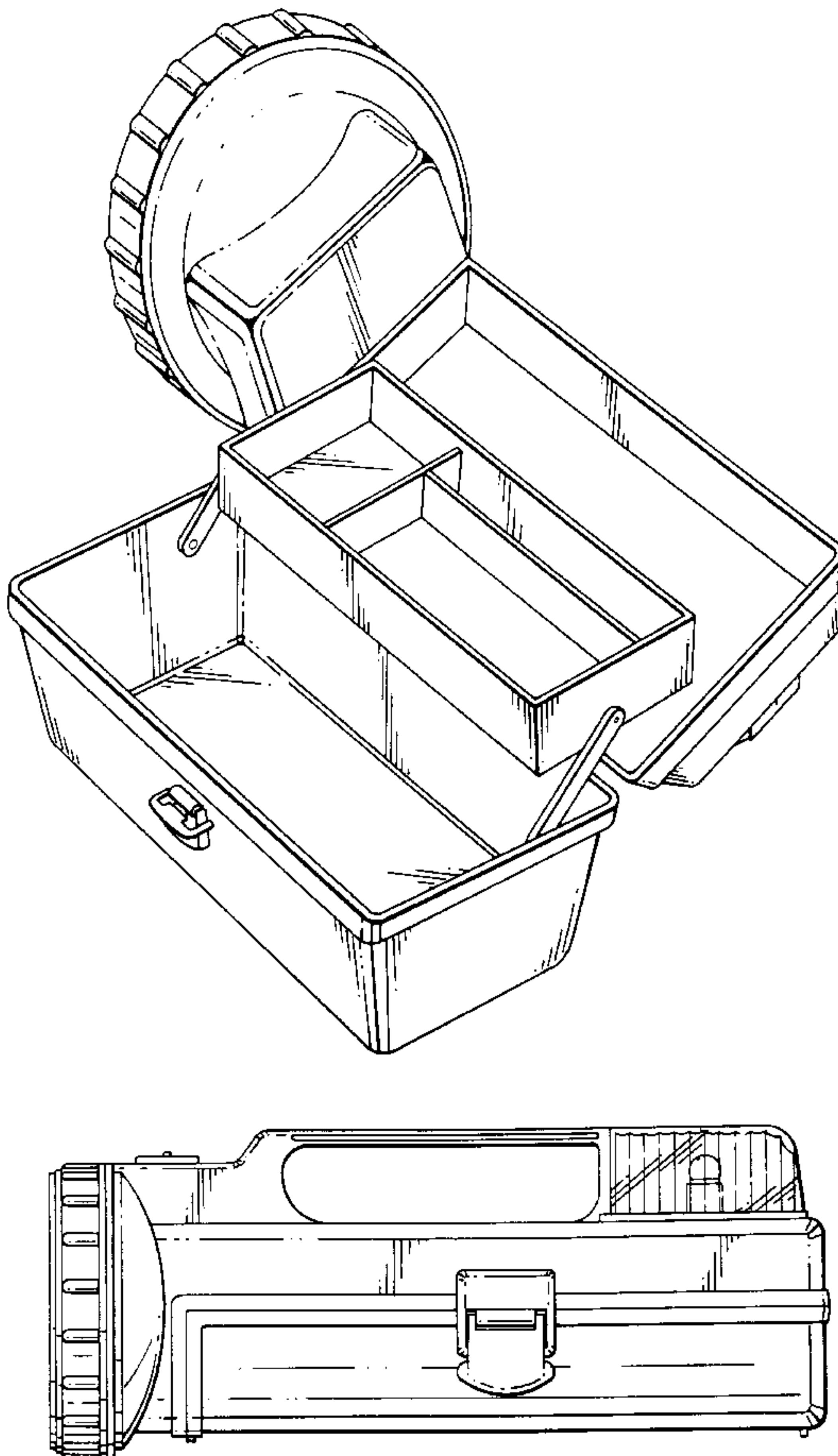
FIG. 7 is a rear elevational view thereof.

[56] **References Cited**

U.S. PATENT DOCUMENTS

D. 339,228 9/1993 Moos et al. D76/38

1 Claim, 3 Drawing Sheets



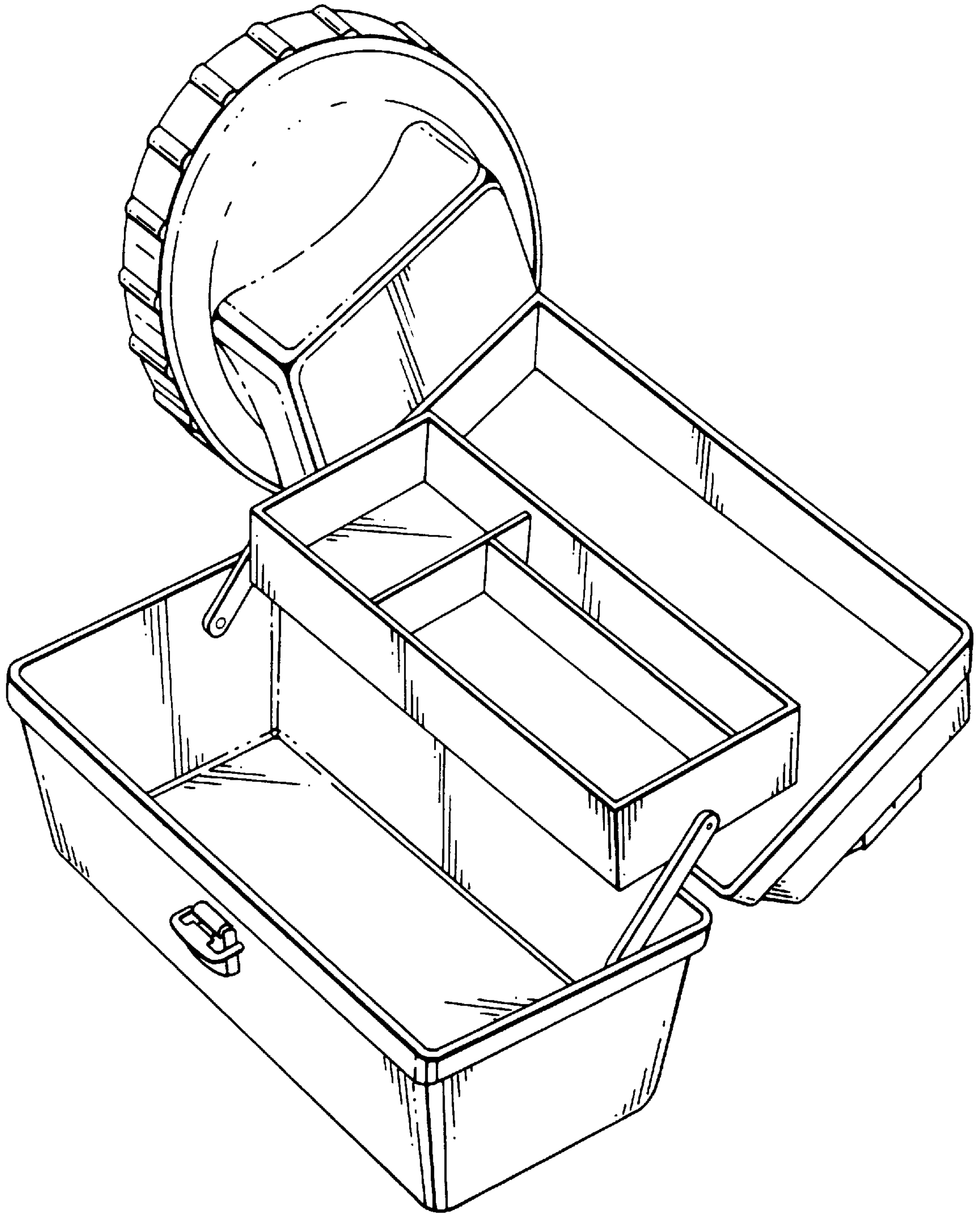


FIG. 1

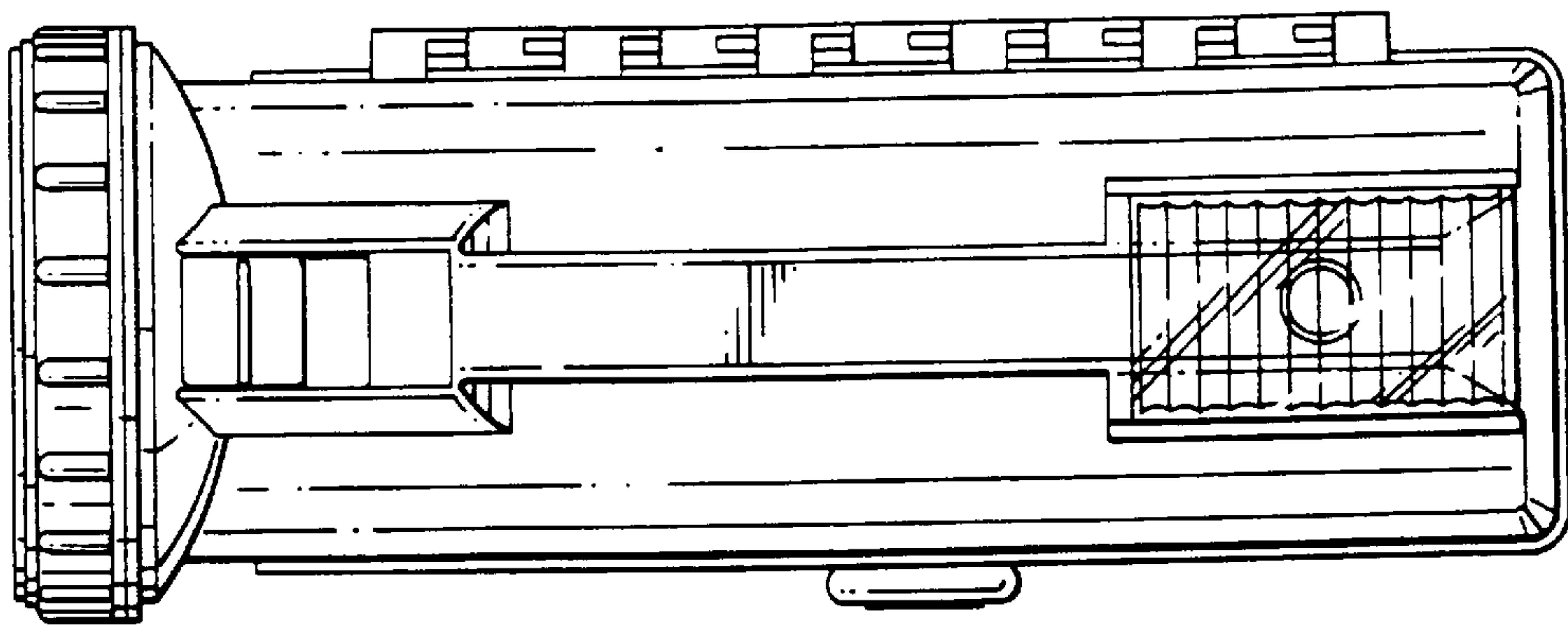


FIG. 2

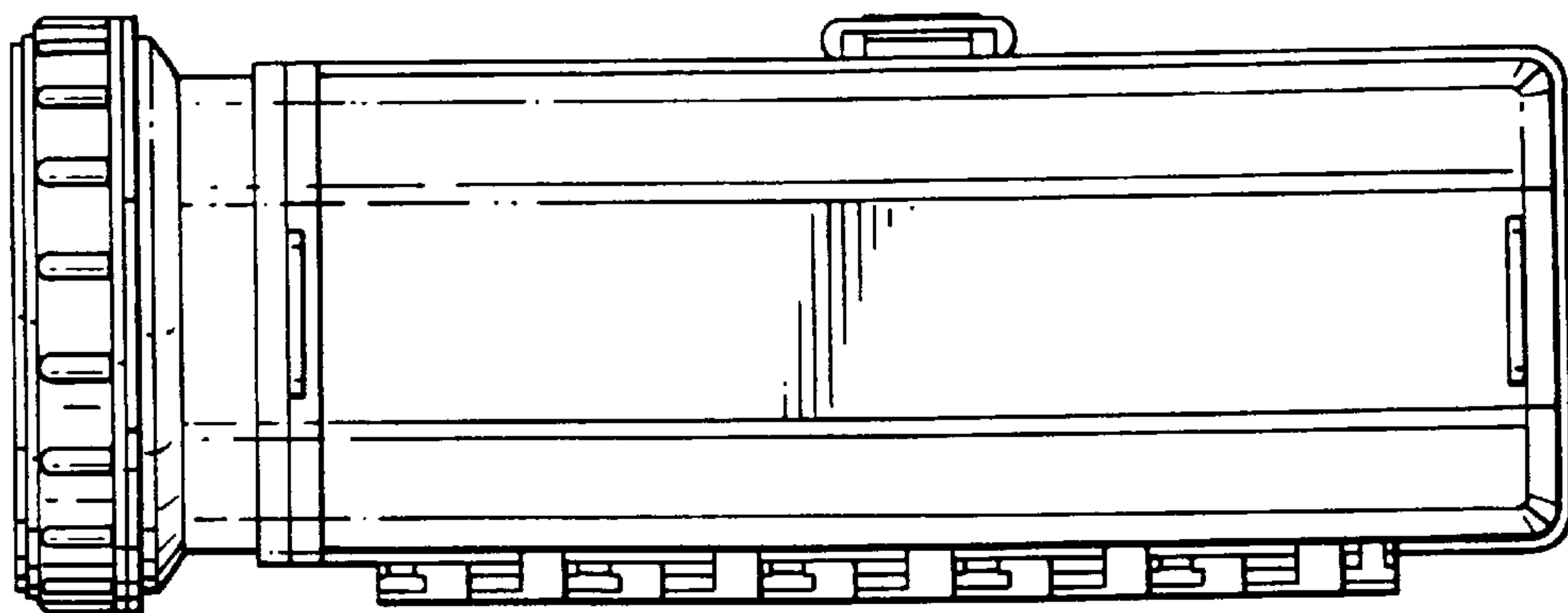


FIG. 3

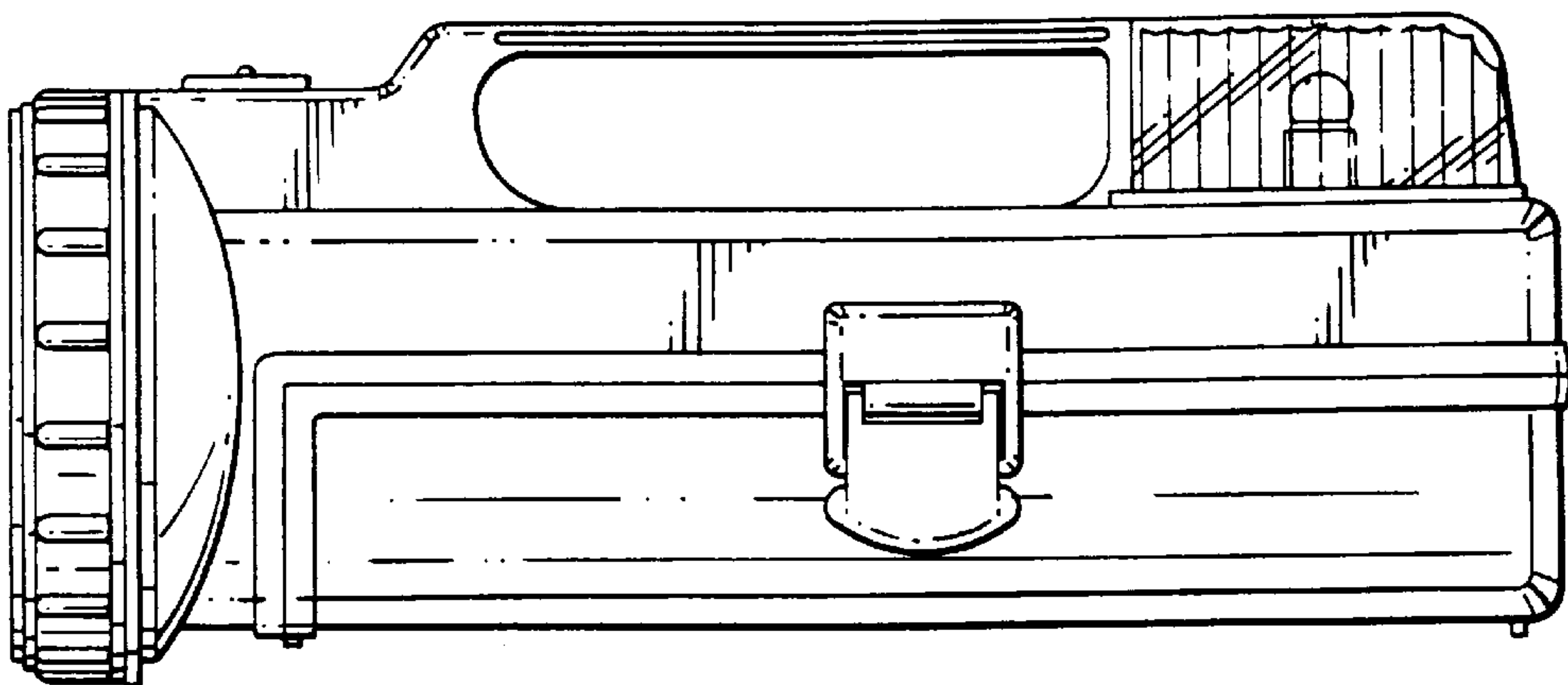


FIG. 4

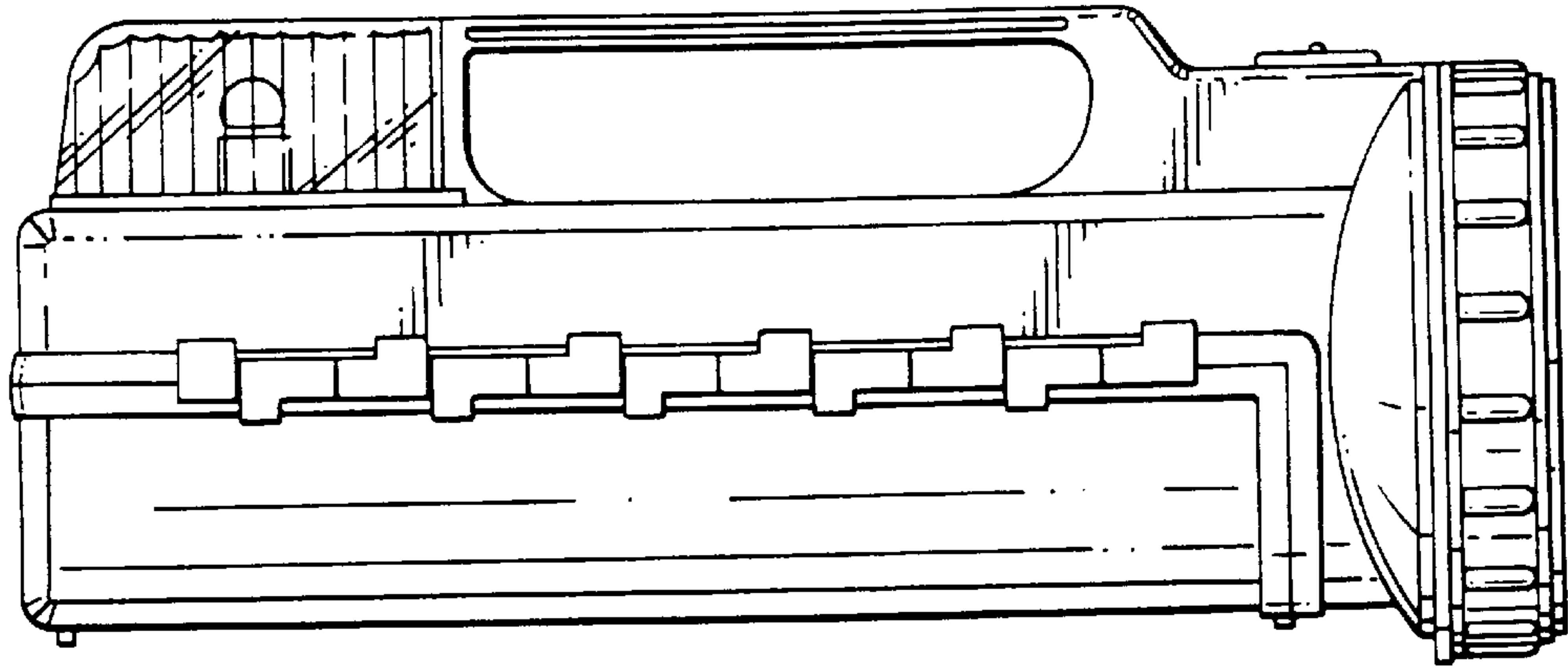


FIG. 5

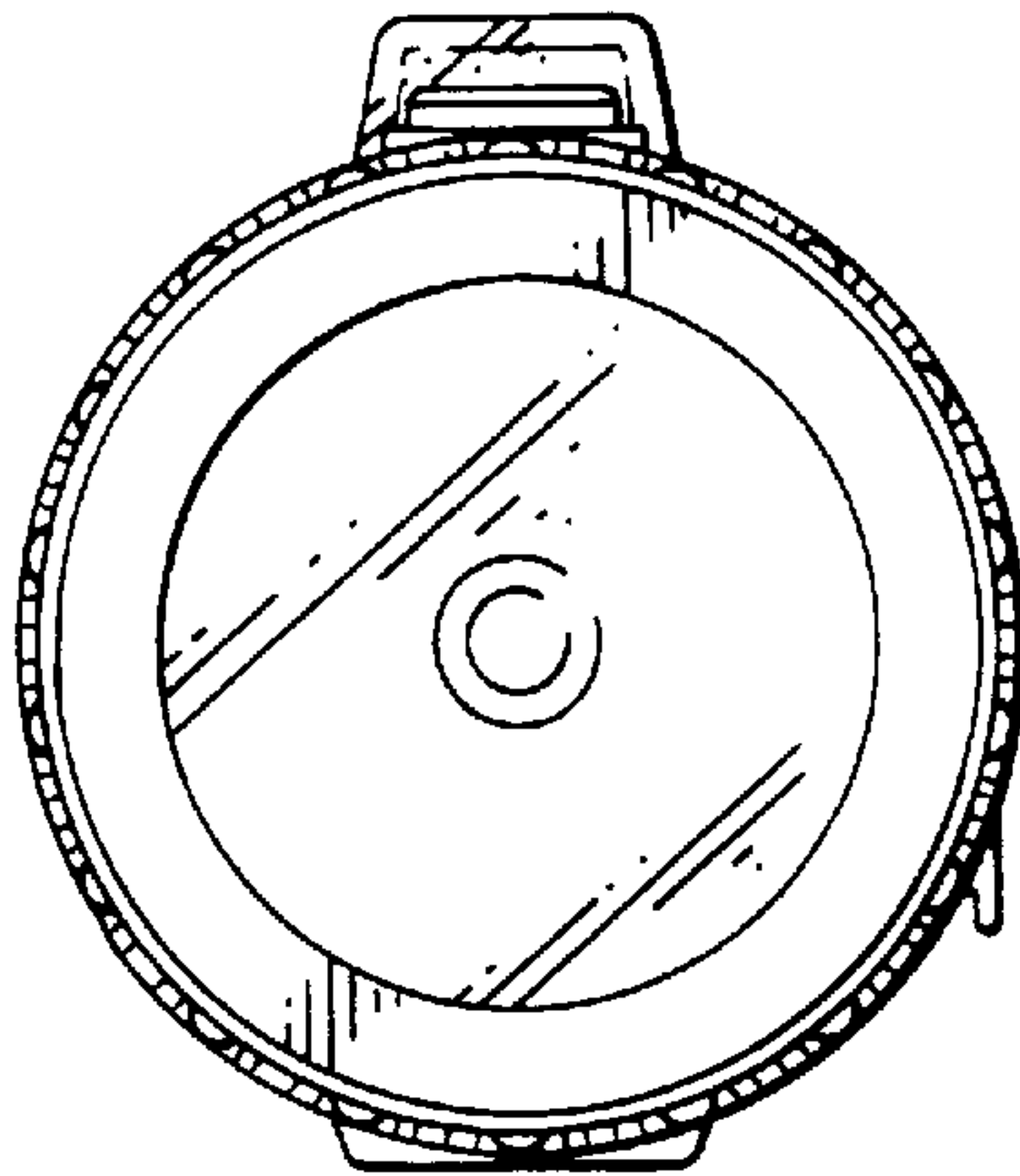


FIG. 6

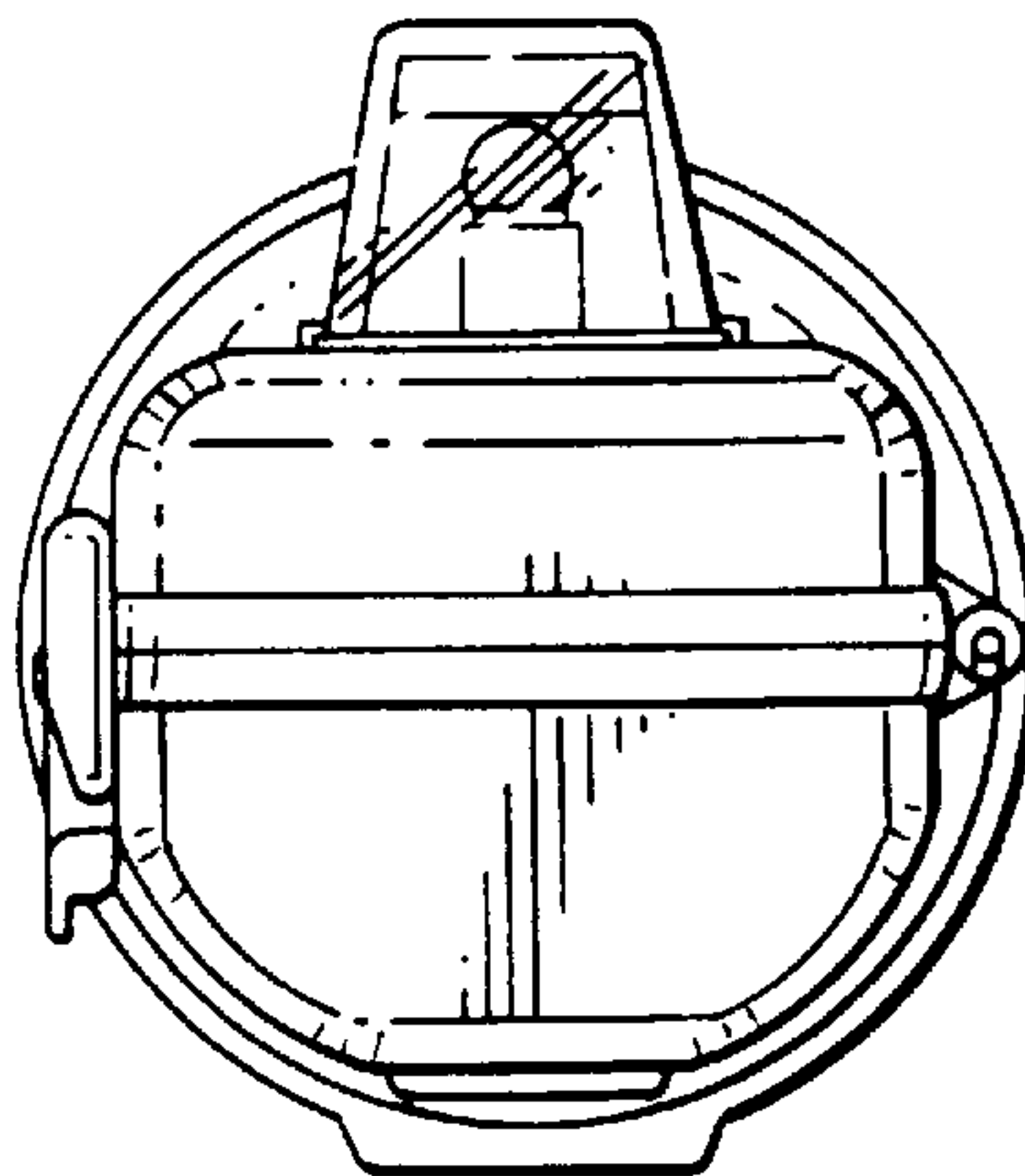


FIG. 7