



US00D412370S

United States Patent [19]
Cece

[11] **Patent Number: Des. 412,370**
[45] **Date of Patent: ** Jul. 27, 1999**

[54] **VEHICLE LAMP**

[75] Inventor: **Dennis F. Cece**, Granger, Ind.

[73] Assignee: **Ramco Industries, Inc.**, Elkhart, Ind.

[**] Term: **14 Years**

[21] Appl. No.: **29/094,027**

[22] Filed: **Sep. 24, 1998**

[51] **LOC (6) Cl.** **26-06**

[52] **U.S. Cl.** **D26/28**

[58] **Field of Search** D26/28-36, 72,
D26/80-92; 362/61, 74, 147, 362, 363,
404, 432

[56] **References Cited**

U.S. PATENT DOCUMENTS

- D. 301,628 6/1989 Fuller D26/28
- D. 382,659 8/1997 Kaloustian D26/28
- D. 393,729 4/1998 Tuttle D26/28

Primary Examiner—Marcus A. Jackson

Attorney, Agent, or Firm—Price, Heneveld, Cooper, DeWitt & Litton

[57] **CLAIM**

I claim the ornamental design for the vehicle lamp, as shown and described.

DESCRIPTION

FIG. 1 is a bottom perspective view of a vehicle lamp, showing my new design, with a broken-line showing of the lamp housing being for illustrative purposes only and forming no part of the claimed design;

FIG. 2 is a bottom plan view thereof;

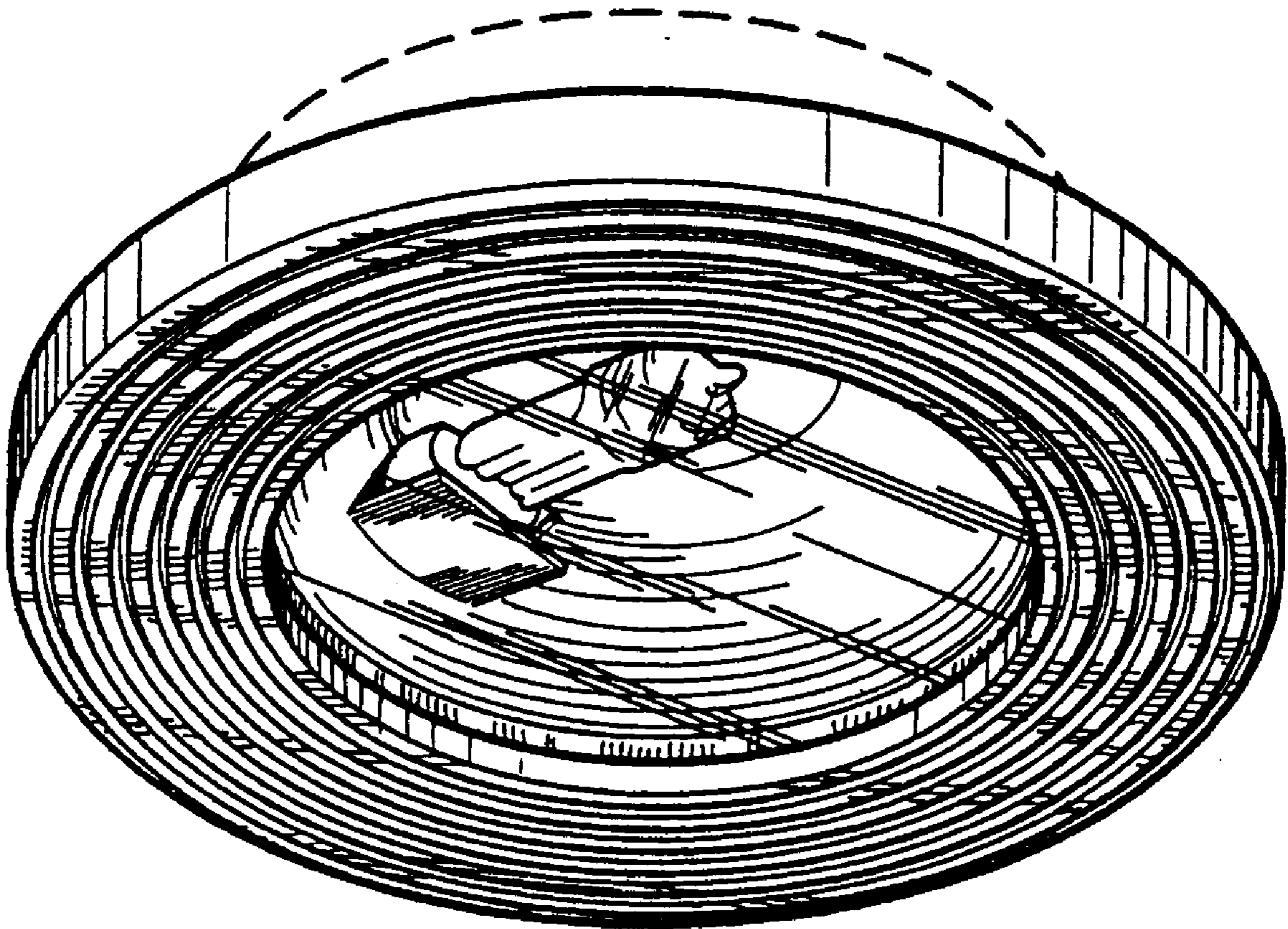
FIG. 3 is an elevational view thereof, and representative of all elevational views;

FIG. 4 is a bottom perspective view of an alternative embodiment, showing my new design, with a broken-line showing of the lamp housing being for illustrative purposes only and forming no part of the claimed design;

FIG. 5 is a bottom plan view thereof, and,

FIG. 6 is an elevational view thereof, and representative of all elevational views.

1 Claim, 2 Drawing Sheets



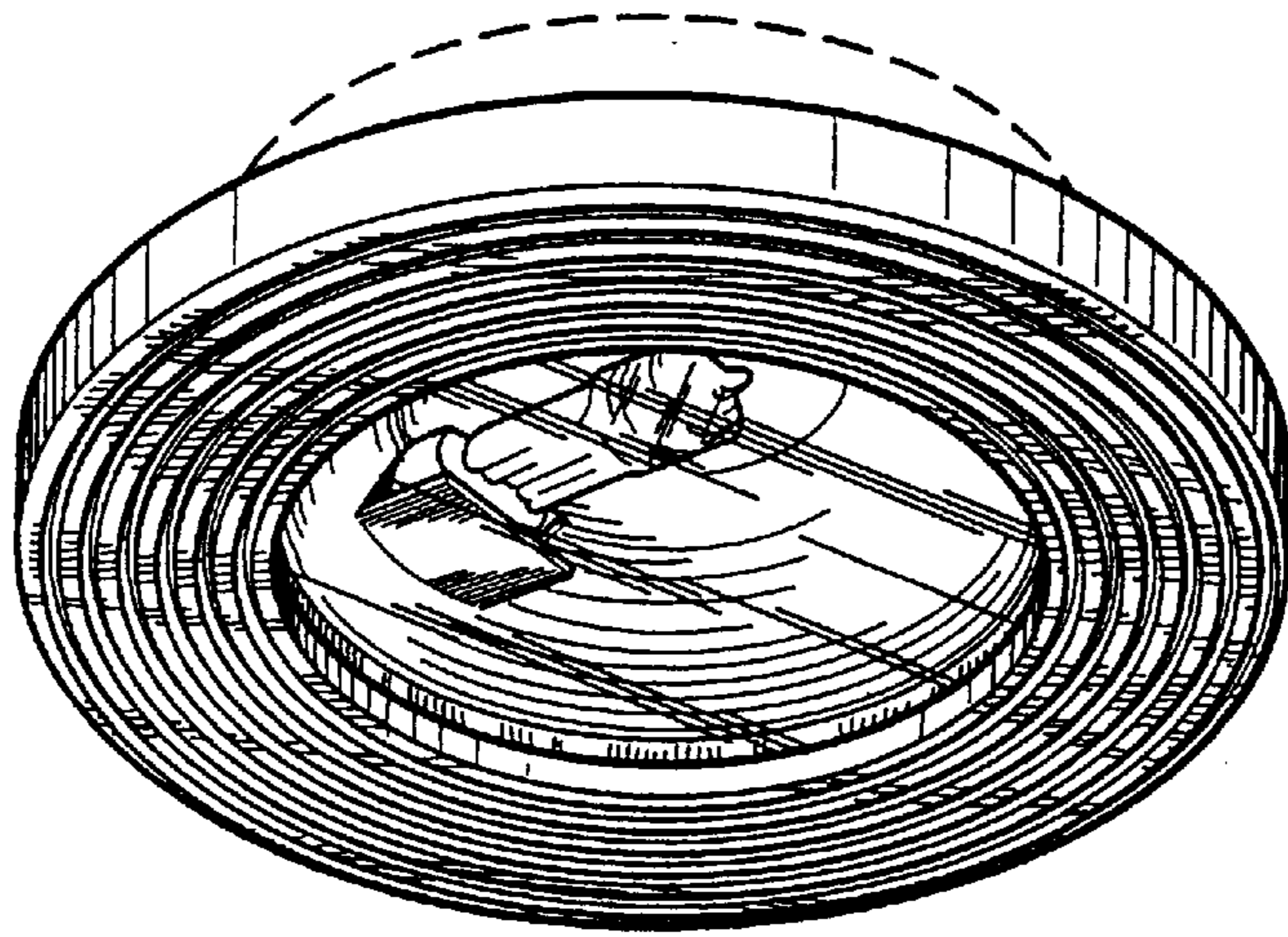


Fig. 1

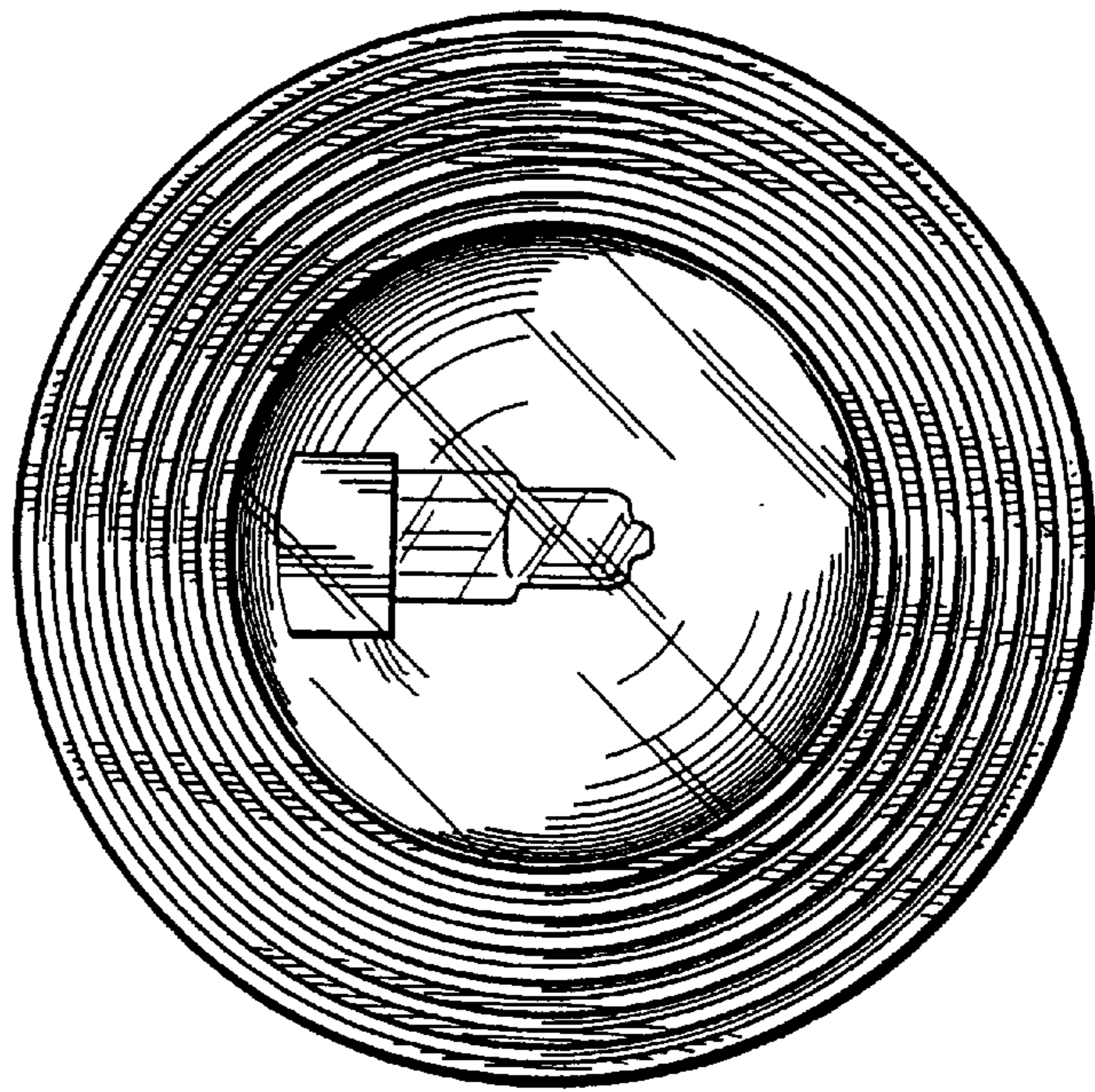


Fig. 2

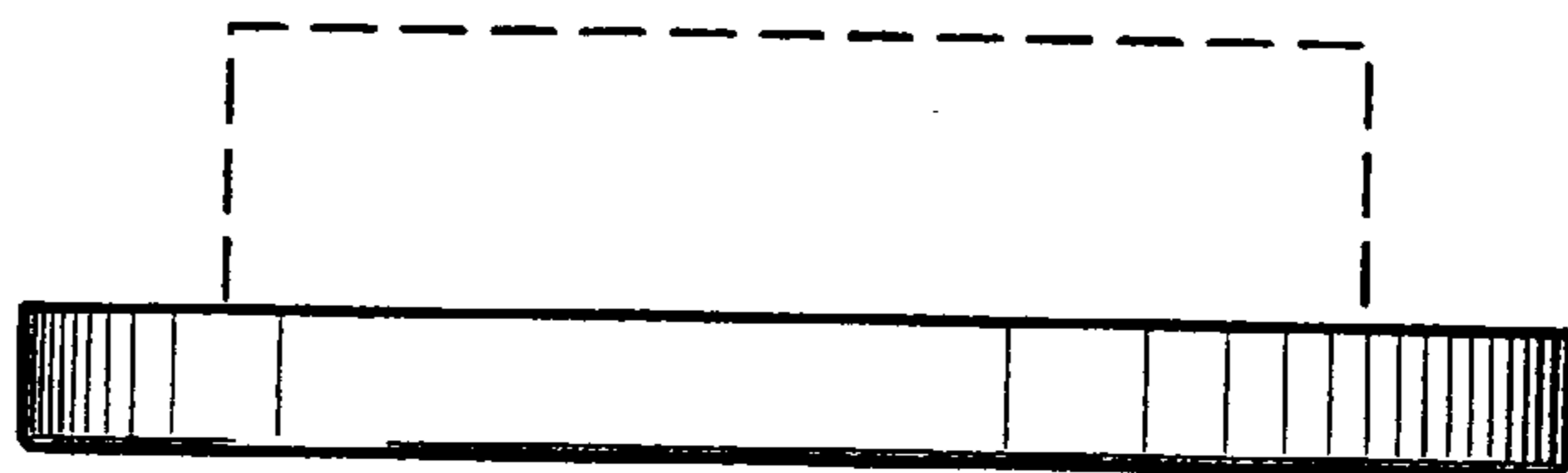


Fig. 3

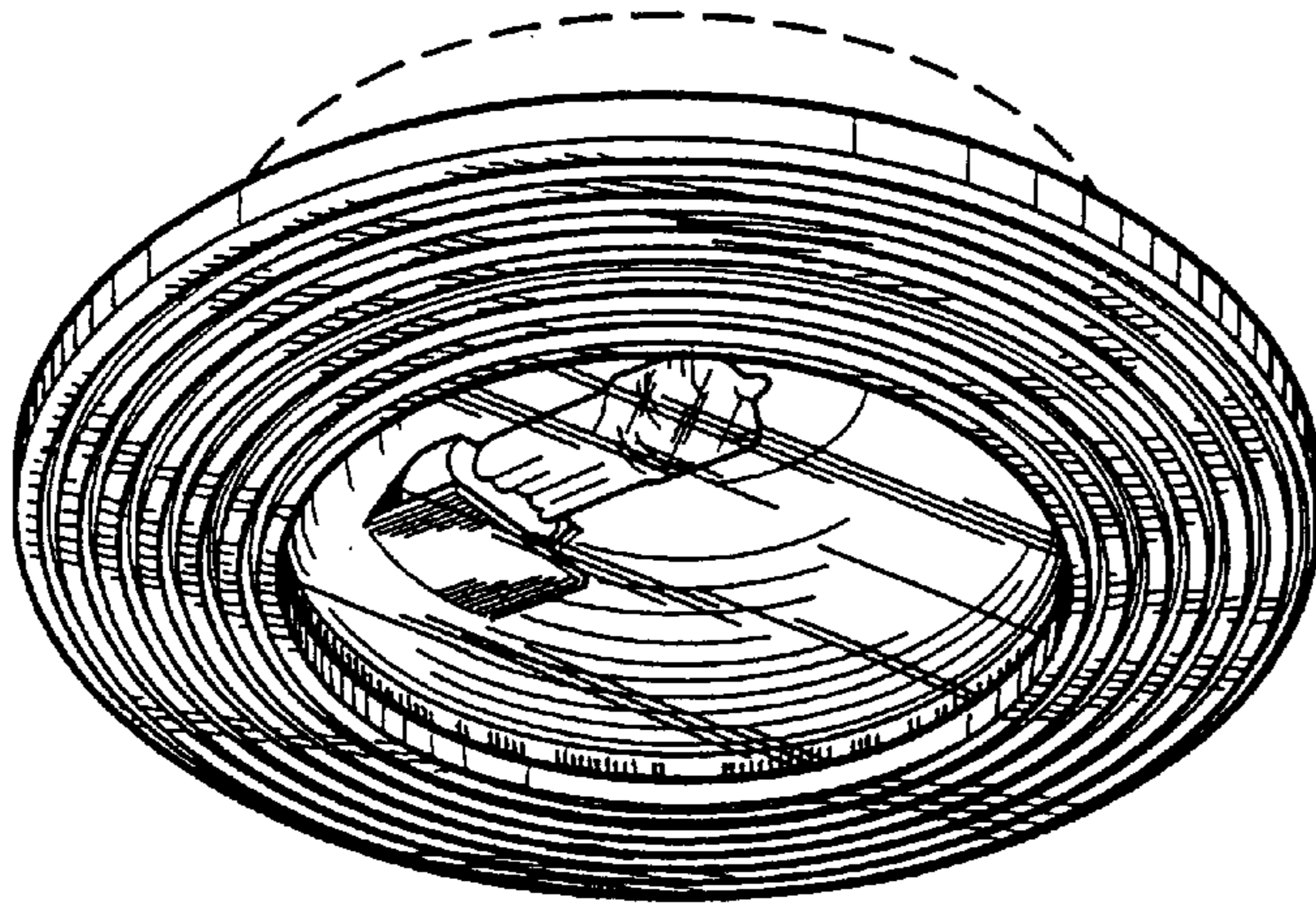


Fig. 4

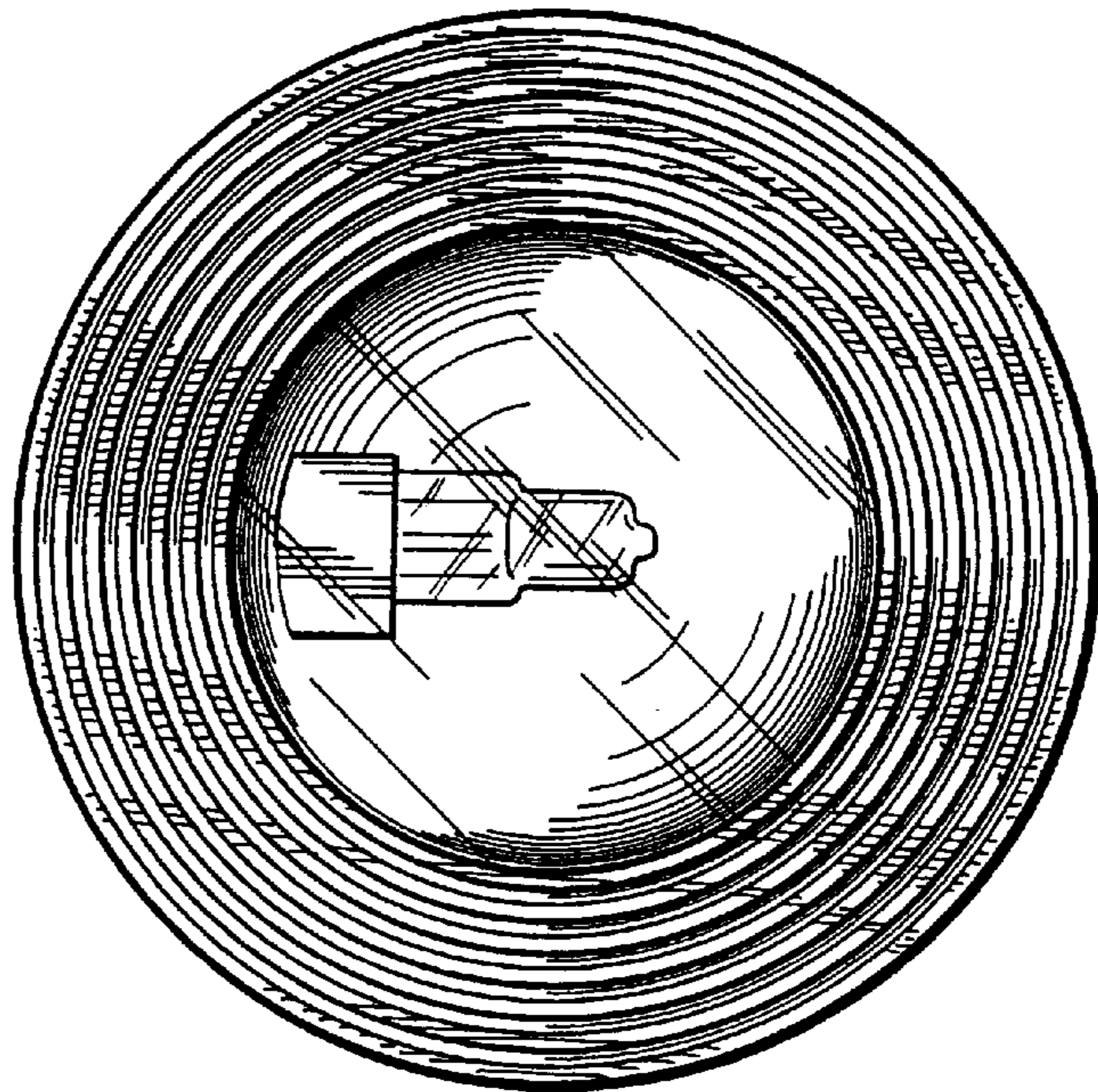


Fig. 5

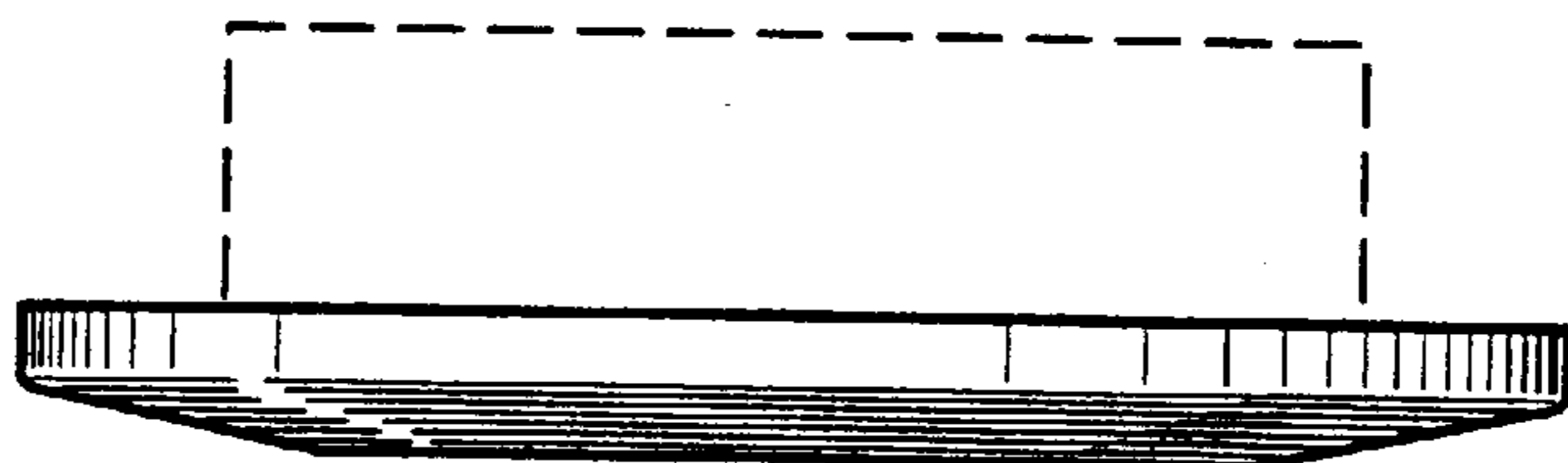


Fig. 6