



US00D412366S

United States Patent [19]

Devine et al.

[11] Patent Number: Des. 412,366

[45] Date of Patent: ** Jul. 27, 1999

[54] INSULATED PROTECTIVE ENCLOSURE

5,036,634 8/1991 Lessard et al. 52/79.1

[75] Inventors: Michael J. Devine; Paul H. Harrington, both of Jacksonville, Fla.

Primary Examiner—Philip S. Hyder
Attorney, Agent, or Firm—Arthur G. Yeager

[73] Assignee: NFE, Inc., Jacksonville, Fla.

[57] CLAIM

[**] Term: 14 Years

The ornamental design of the insulated protective enclosure, as shown and described.

[21] Appl. No.: 29/086,382

DESCRIPTION

[22] Filed: Apr. 13, 1998

FIG. 1 is a rear elevational view of the insulated protective enclosure according to our design;
FIG. 2 is a front elevational view thereof;
FIG. 3 is a left side elevational view thereof;
FIG. 4 is a right side elevational view thereof;
FIG. 5 is a top plan view thereof;
FIG. 6 is a bottom plan view thereof;
FIG. 7 is a front perspective view thereof; and,
FIG. 8 is a front perspective view with the front door and top in open condition.

[51] LOC (6) Cl. 25-03

[52] U.S. Cl. D25/16; D3/272

[58] Field of Search D3/272, 273, 274;
D25/16; D6/440, 446; 52/79.1, 90.1, 94

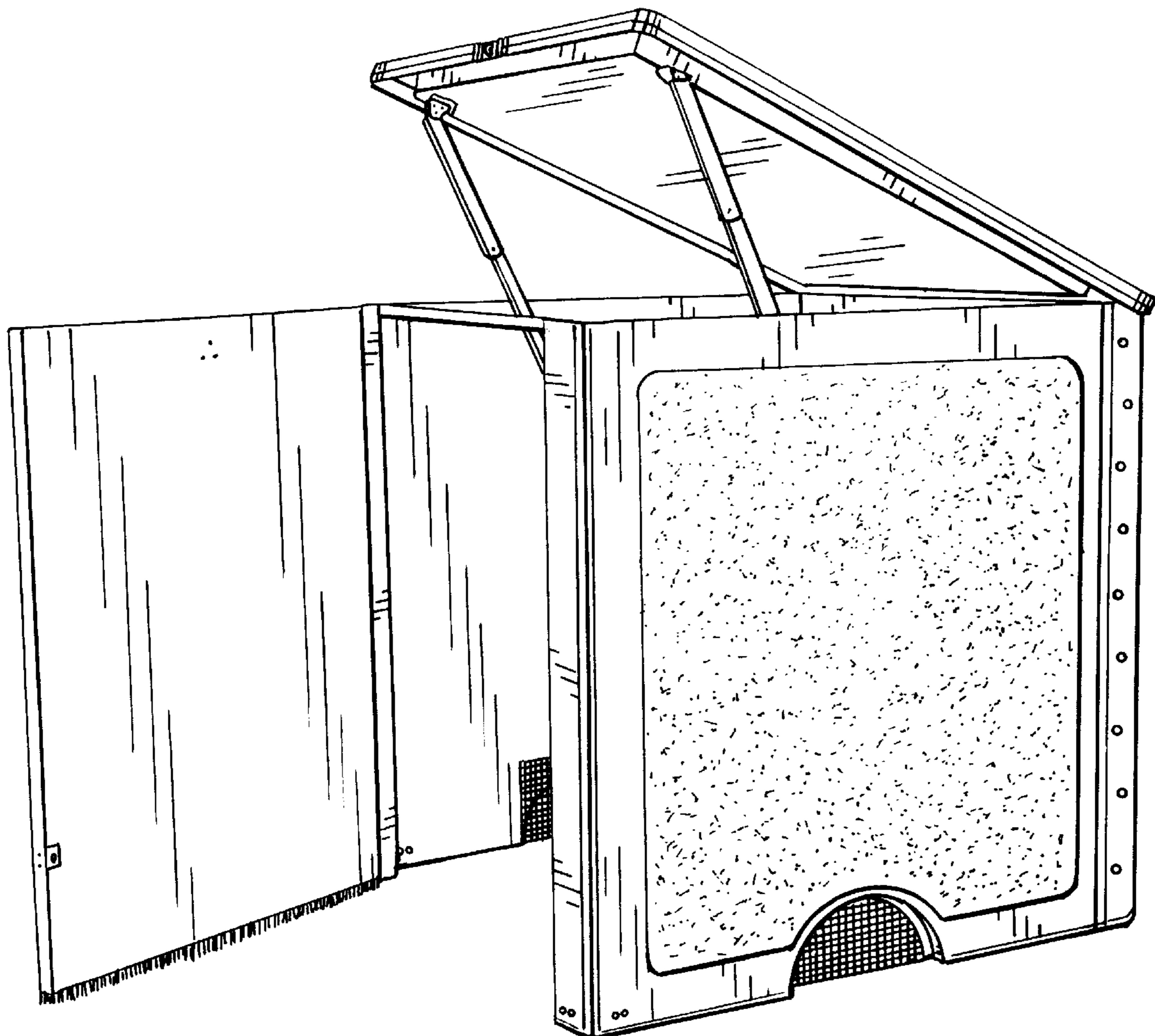
[56] References Cited

U.S. PATENT DOCUMENTS

D. 260,062	8/1981	Knaack et al.	D6/440
D. 365,154	12/1995	Maple	D25/16
D. 375,168	10/1996	Hunt et al.	D25/16
D. 384,419	9/1997	Dickinson et al.	D25/16
D. 393,724	4/1998	Sagol	D25/16

The stippled portions of the doors top and side walls depict random textured slightly raised portions of the enclosure; and the rear door is hinged similar to the front door.

1 Claim, 8 Drawing Sheets



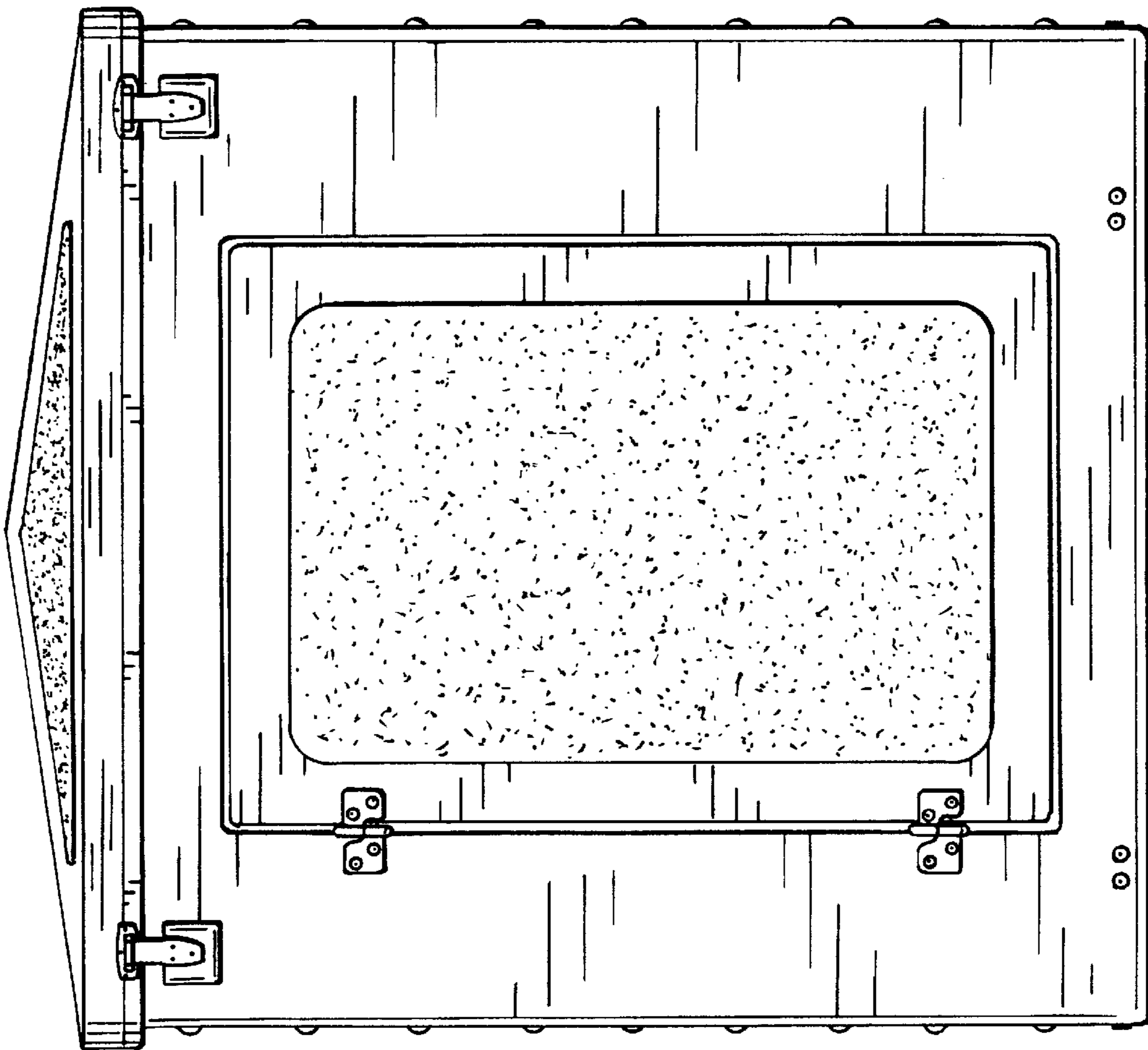


FIG. 1

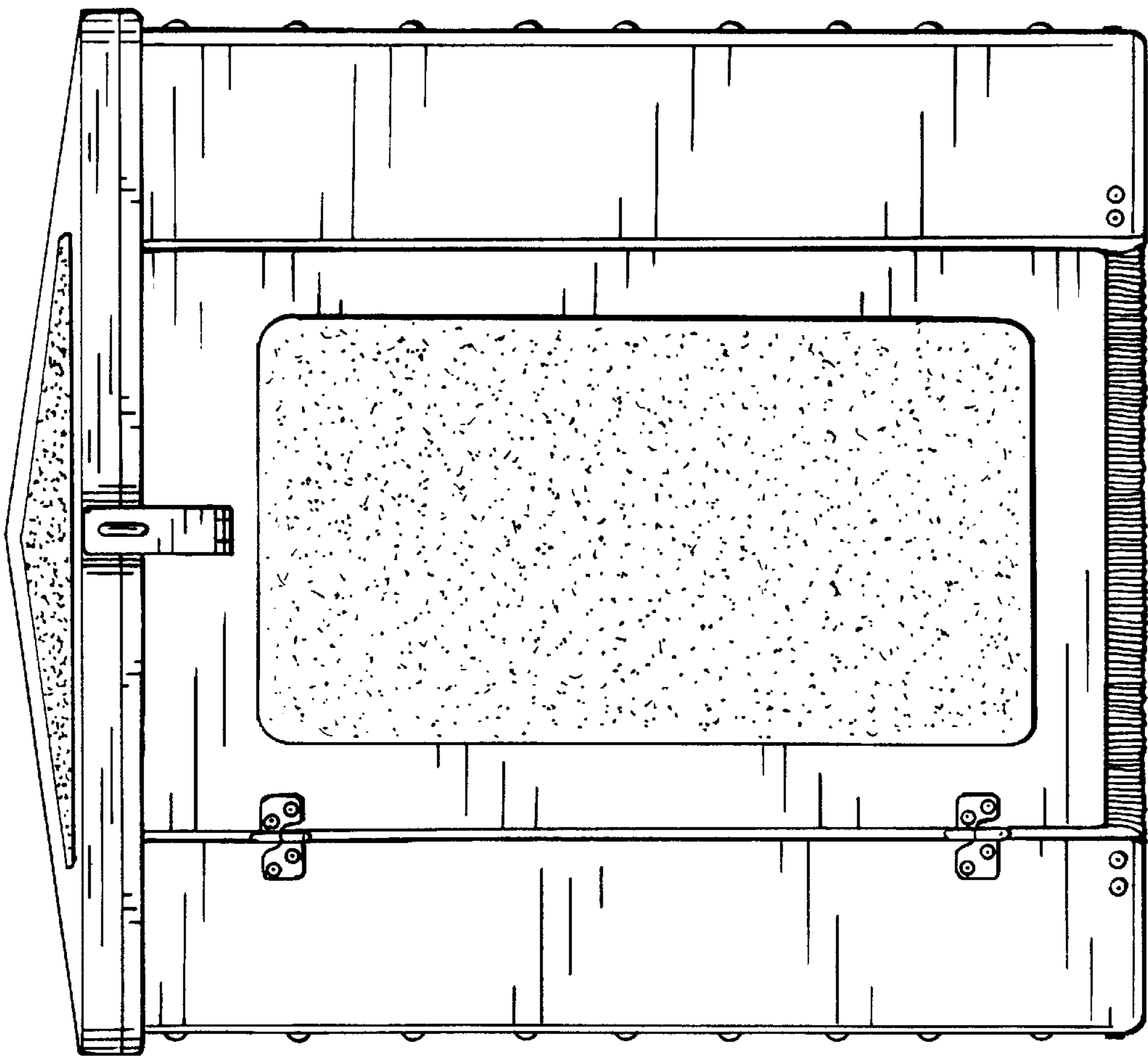


FIG. 2

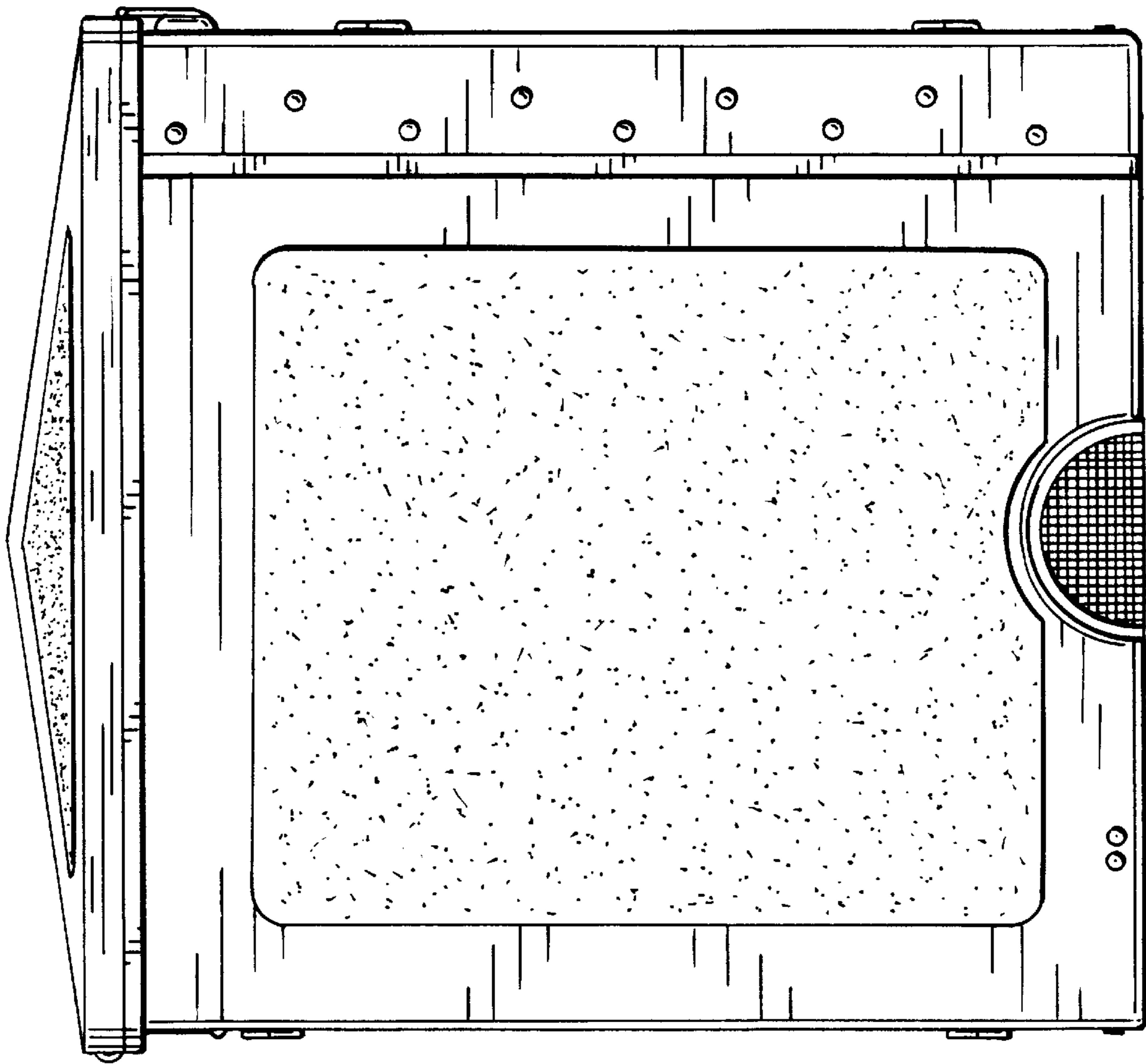


FIG. 3

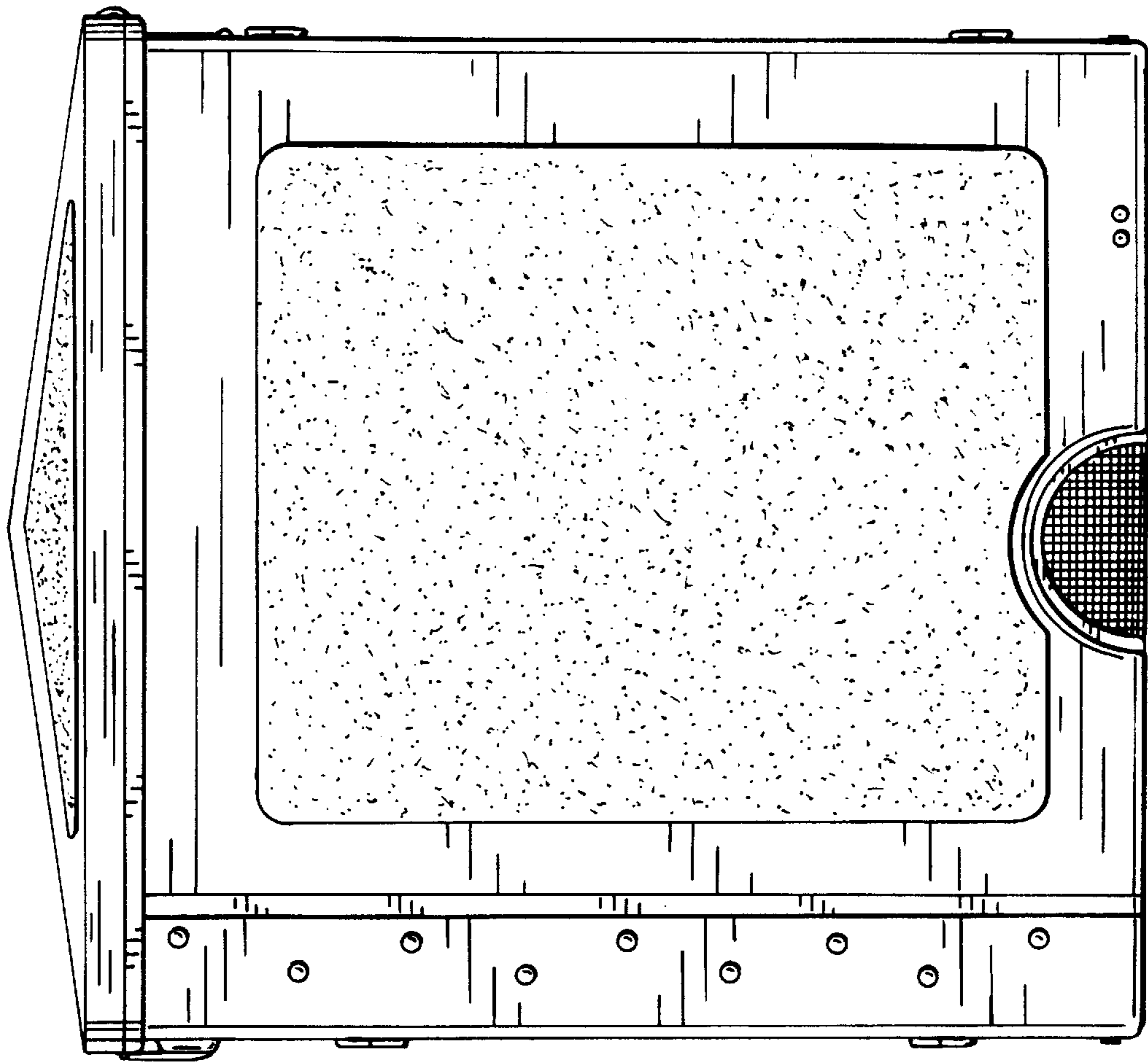


FIG. 4

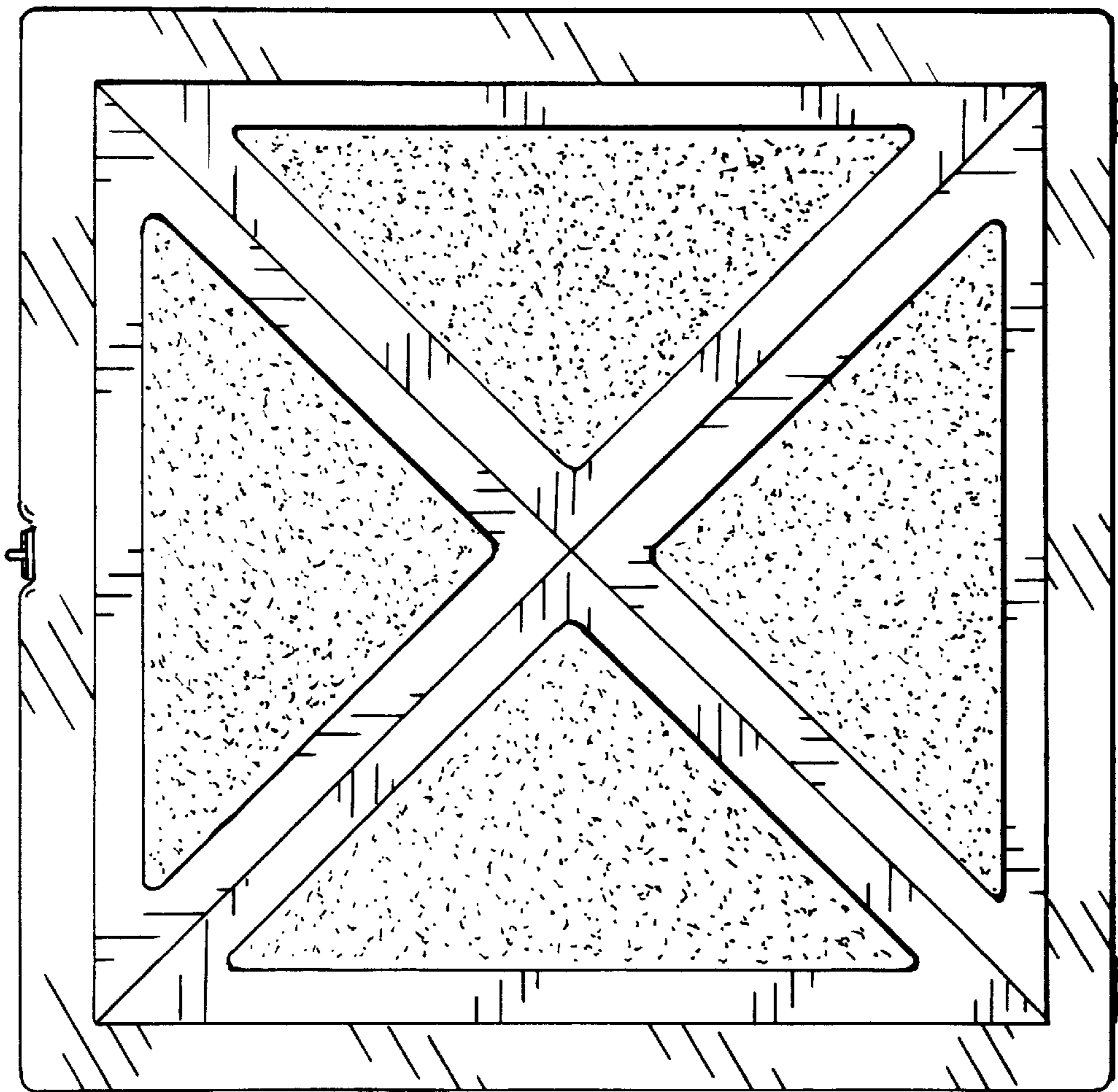


FIG. 5

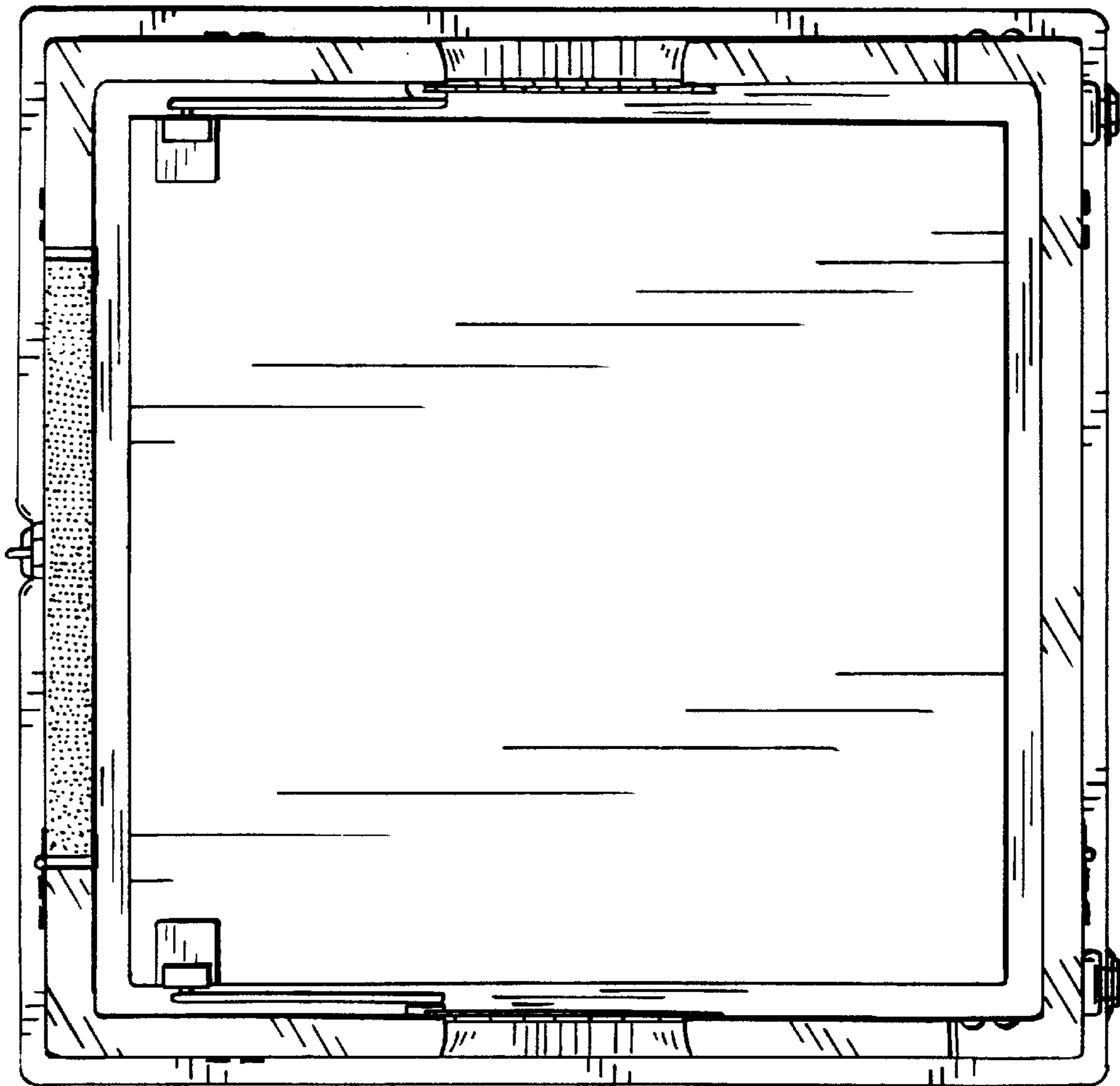


FIG. 6

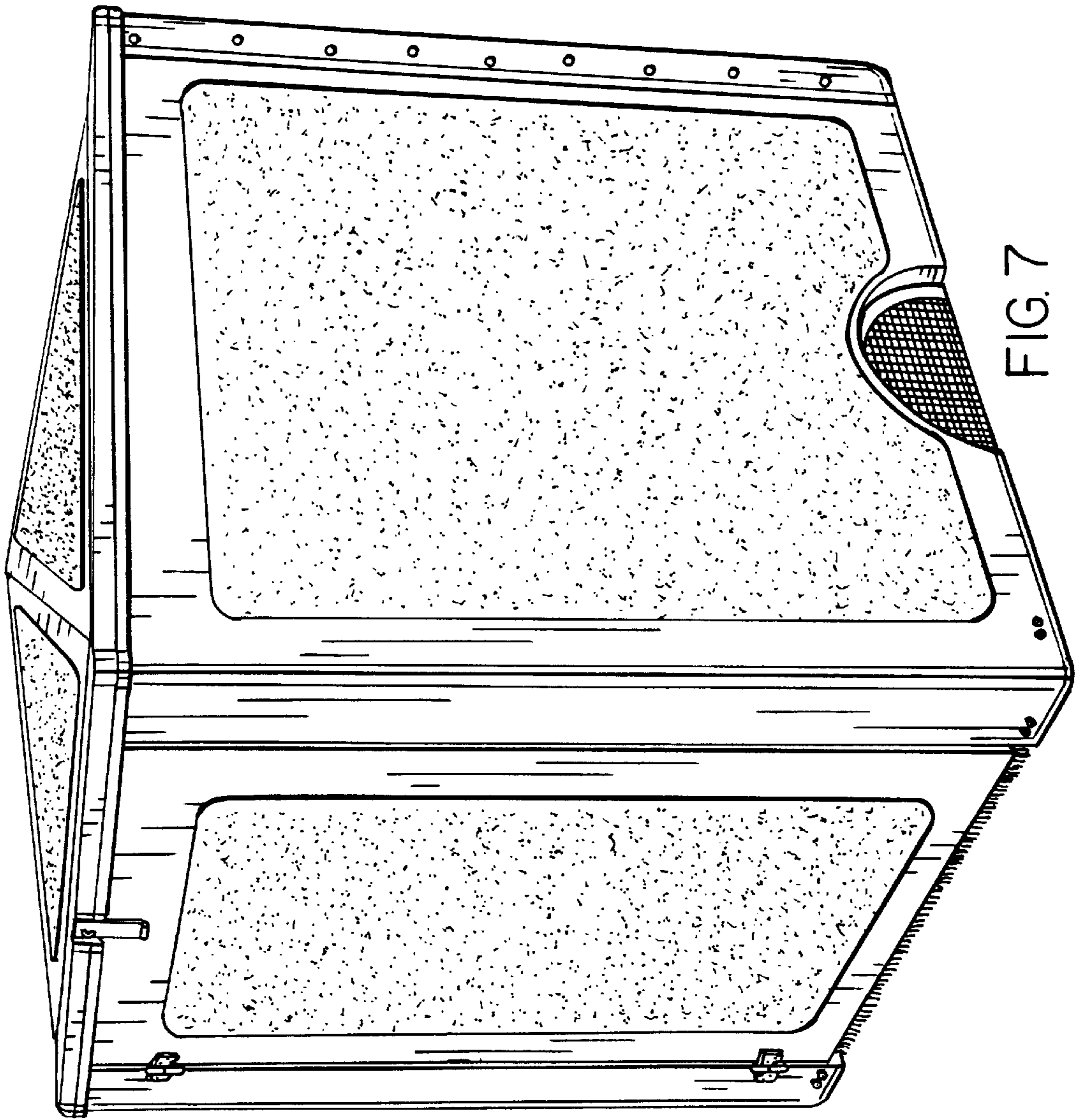


FIG. 7

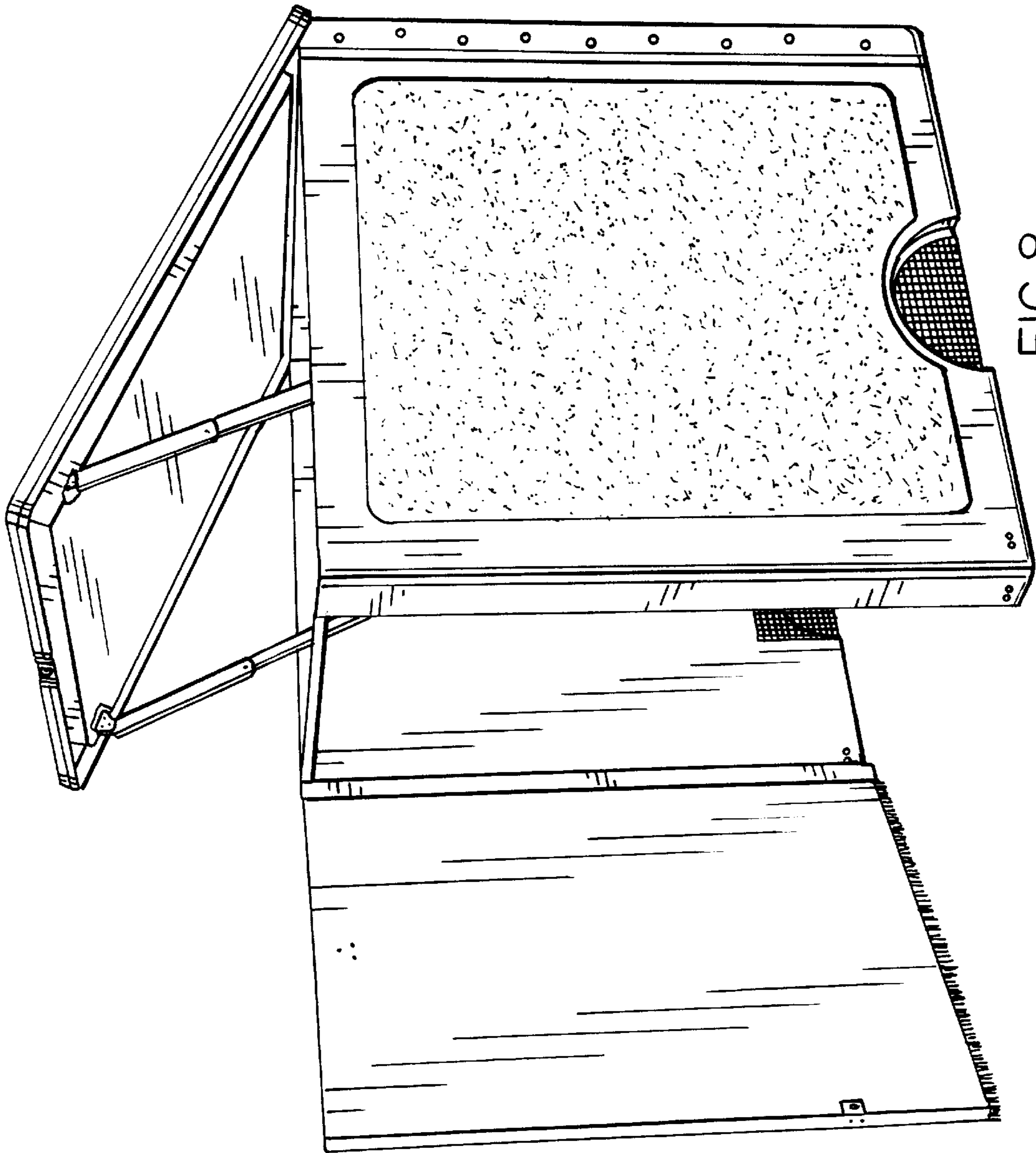


FIG. 8