



US00D412359S

**United States Patent** [19]  
**Lobermeier**

[11] **Patent Number: Des. 412,359**

[45] **Date of Patent: \*\* Jul. 27, 1999**

[54] **COMBINED HANDLE AND ESCUTCHEON**

[75] Inventor: **Hans Lobermeier**, Menden, Germany

[73] Assignee: **Friedrich Grohe AG**, Hemer, Germany

[\*\*] Term: **14 Years**

D. 302,850 8/1989 Lathrop ..... D23/254  
D. 319,294 8/1991 Kohler, Jr. et al. .... D23/254  
D. 344,128 2/1994 Bengston .  
D. 345,004 3/1994 Bengston ..... D23/254

*Primary Examiner*—Louis S. Zarfes  
*Assistant Examiner*—Eric Watterson  
*Attorney, Agent, or Firm*—Herbert Dubno

[21] Appl. No.: **29/093,813**

[22] Filed: **Sep. 18, 1998**

[30] **Foreign Application Priority Data**

Apr. 16, 1998 [DE] Germany ..... M98 03 680

[51] **LOC (6) Cl.** ..... **23-01**

[52] **U.S. Cl.** ..... **D23/254**

[58] **Field of Search** ..... D23/238–243,  
D23/250–257; D8/300–310; 4/675–678

[56] **References Cited**

**U.S. PATENT DOCUMENTS**

D. 291,239 8/1987 Haug et al. .... D23/252

[57] **CLAIM**

The ornamental design for a combined handle and escutcheon, as shown and described.

**DESCRIPTION**

FIG. 1 is a top, front, left-side elevational view of a combined handle and escutcheon showing my new design; FIG. 2 is a left side elevational view thereof, the right side elevational view being mirror symmetrical thereto; FIG. 3 is a front view thereof; FIG. 4 is a bottom view thereof; FIG. 5 is a top view thereof; and, FIG. 6 is a rear view thereof.

**1 Claim, 3 Drawing Sheets**

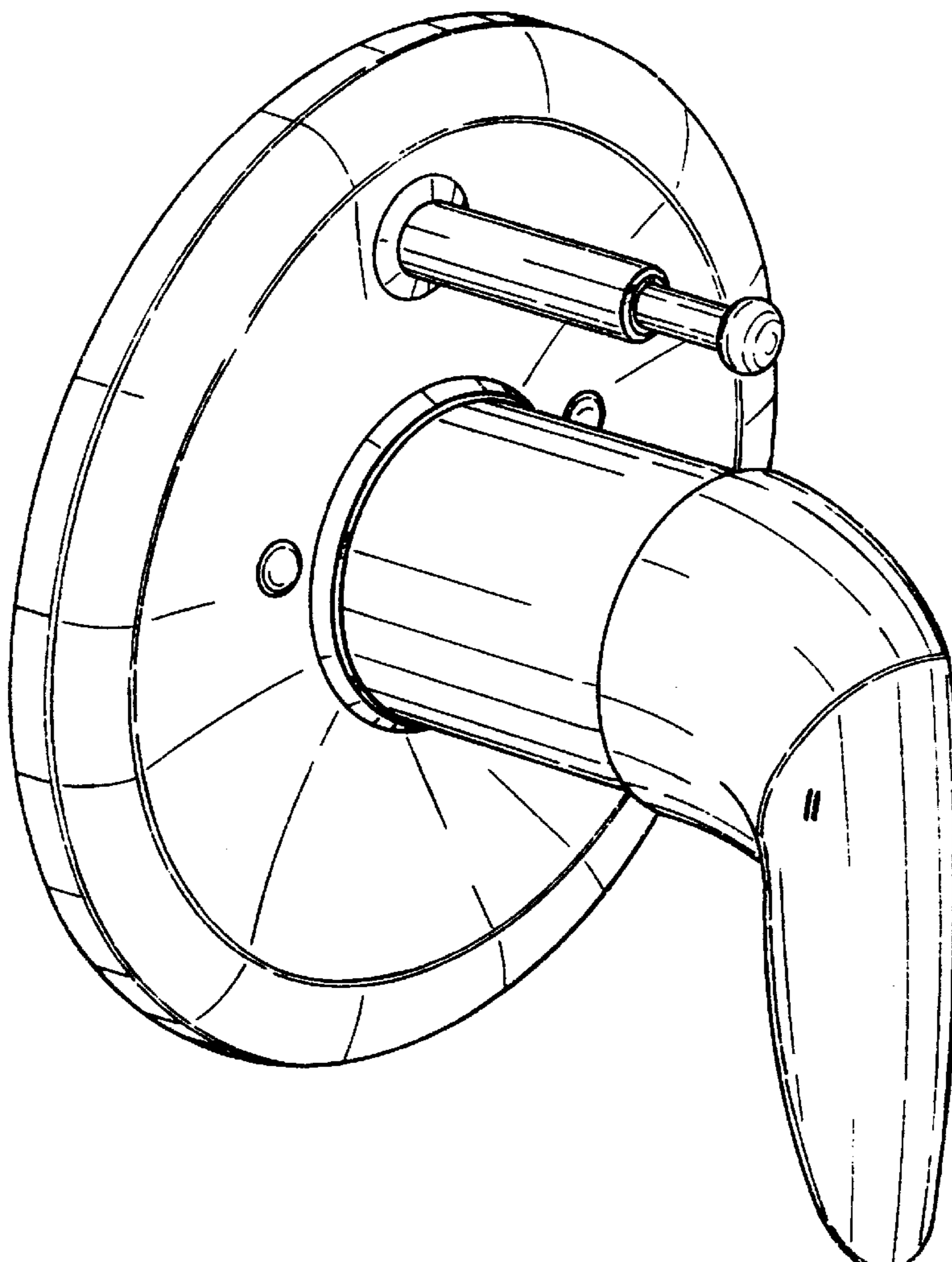


FIG. 1

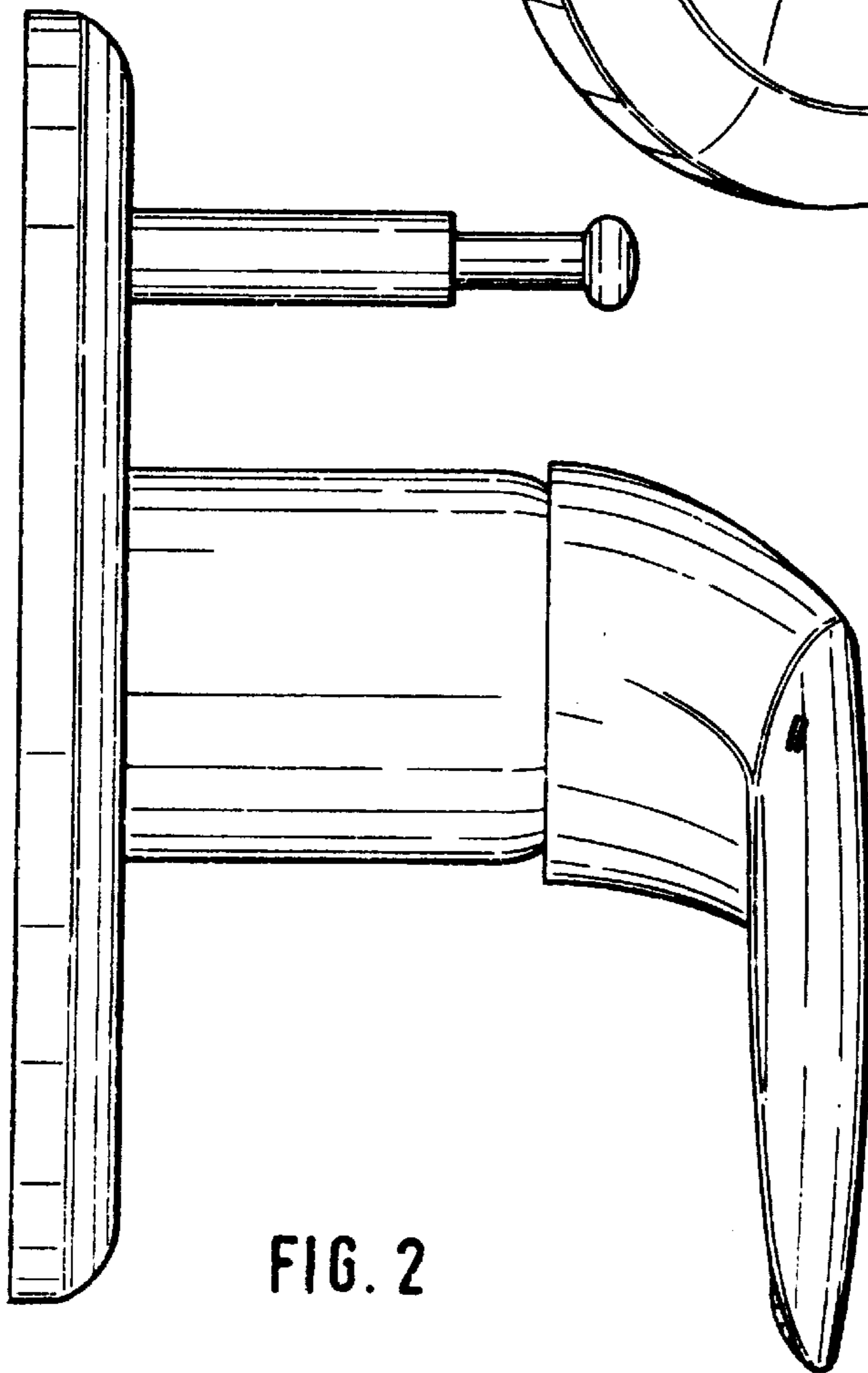
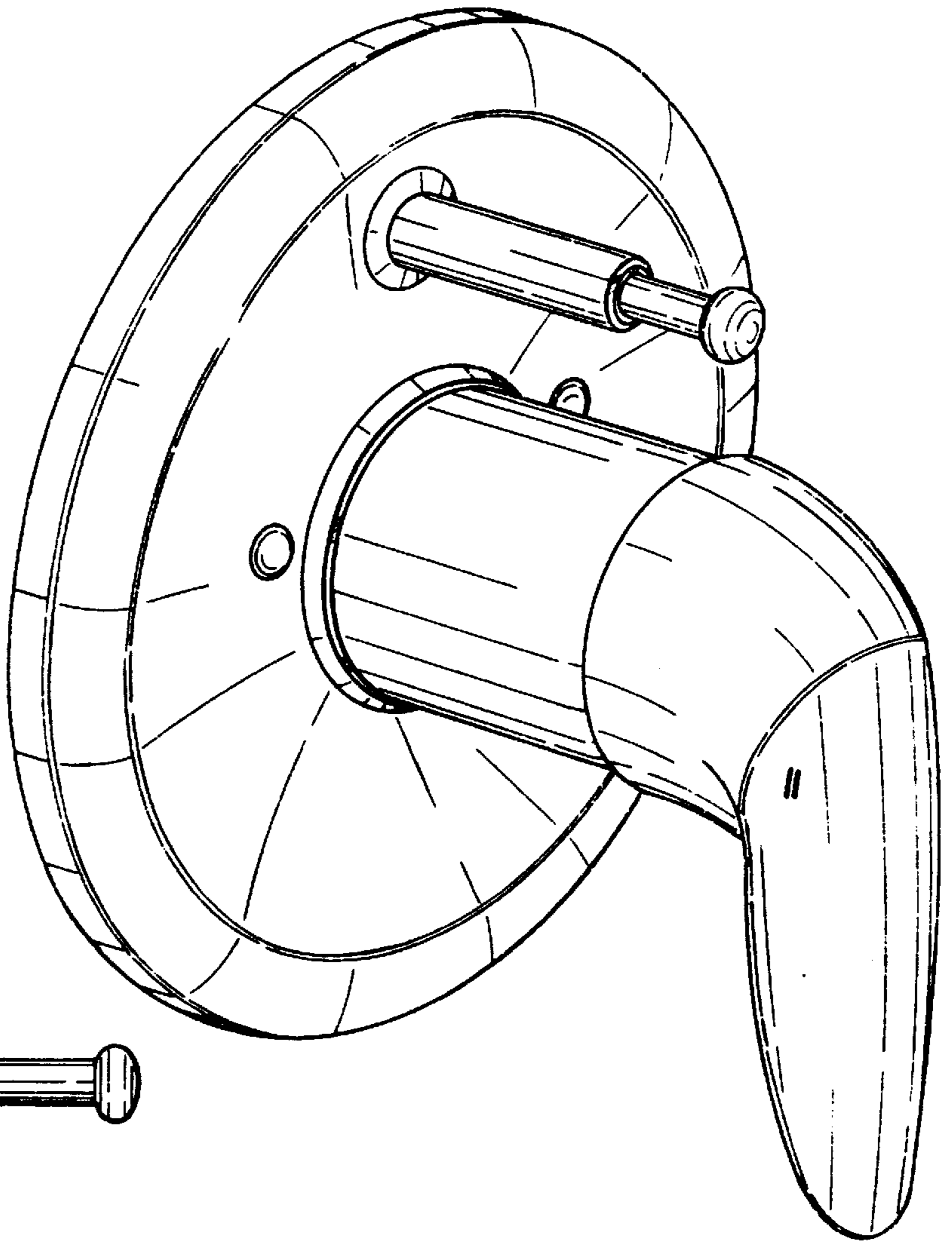


FIG. 2

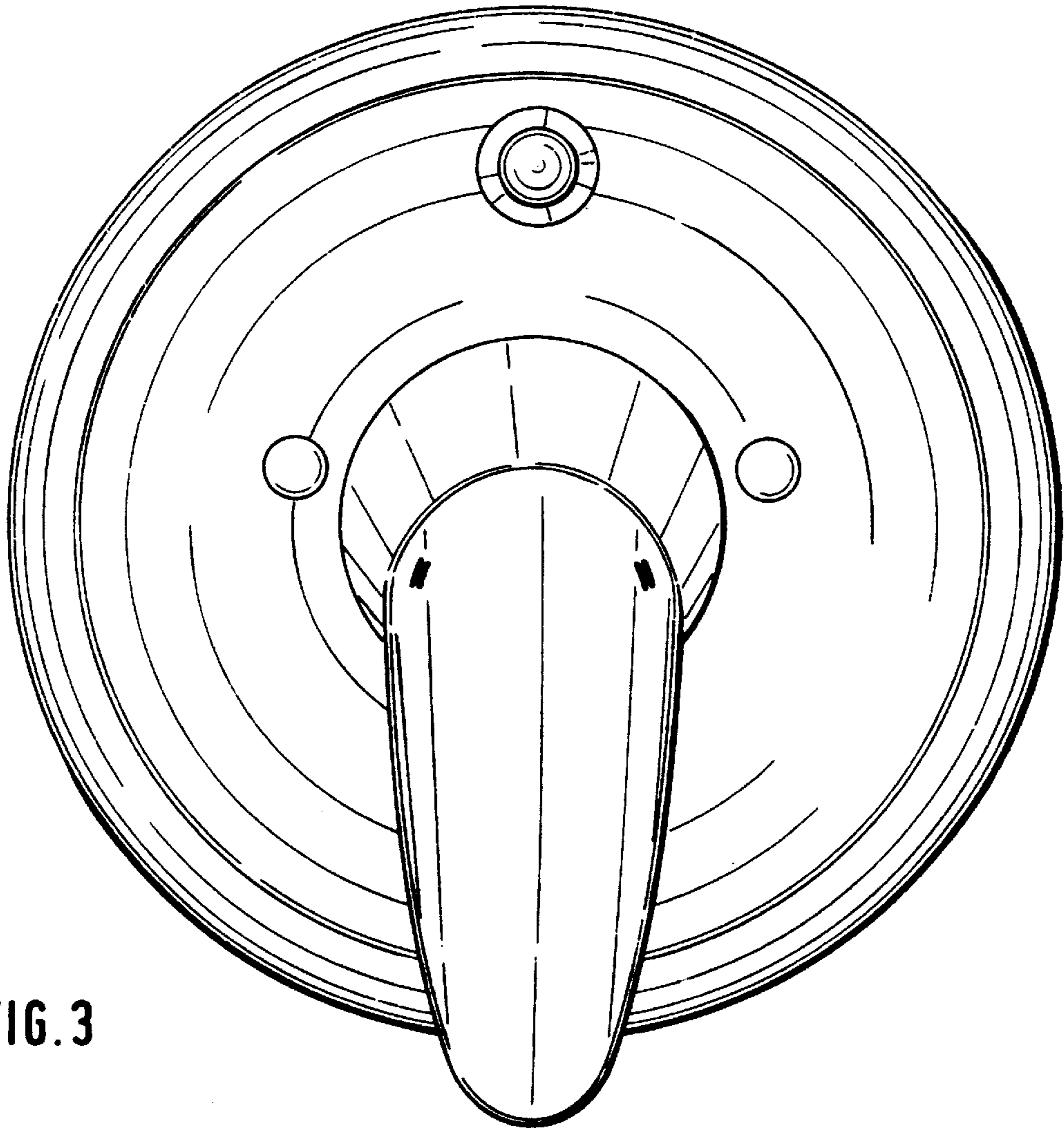


FIG. 3

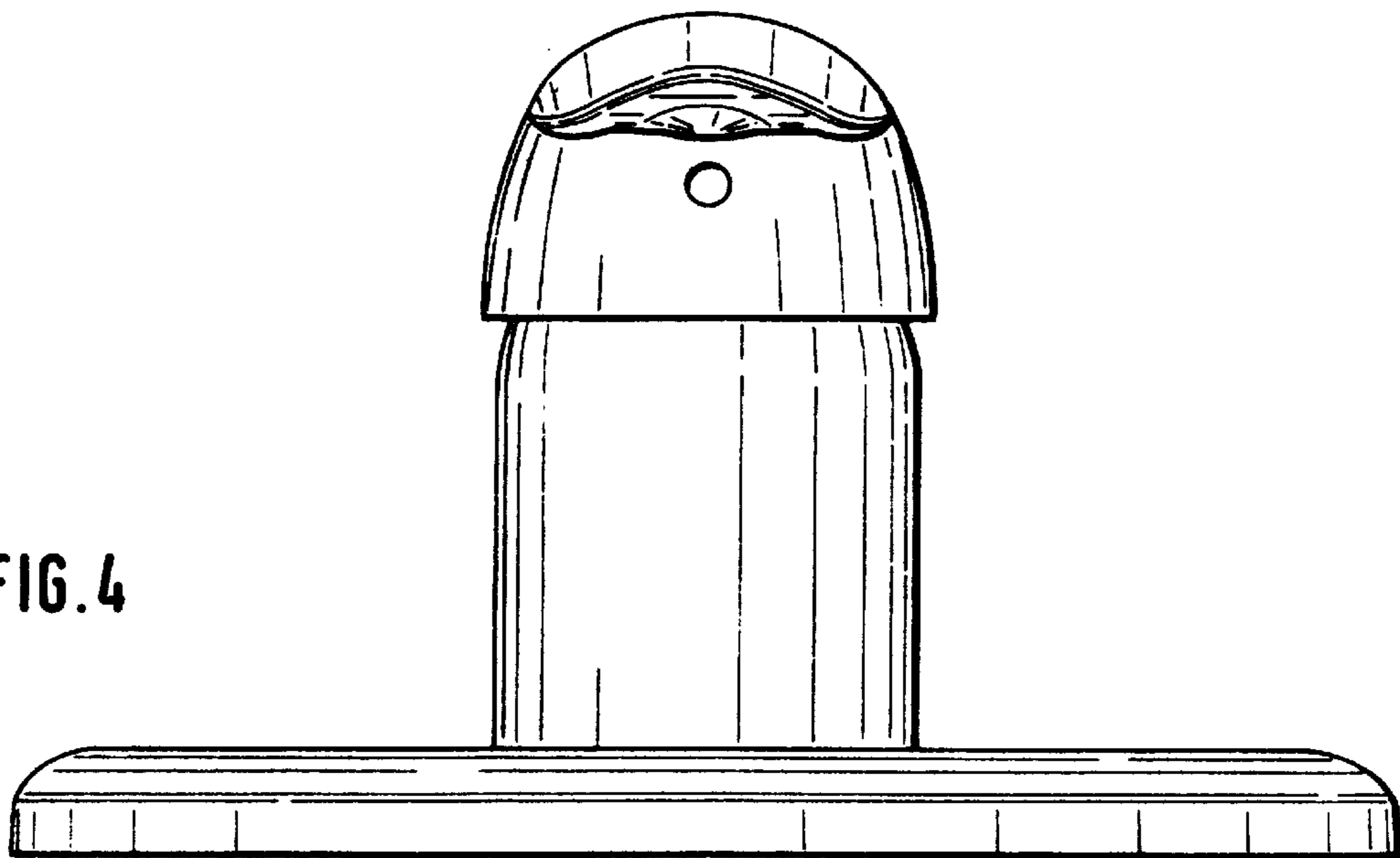


FIG. 4

FIG. 5

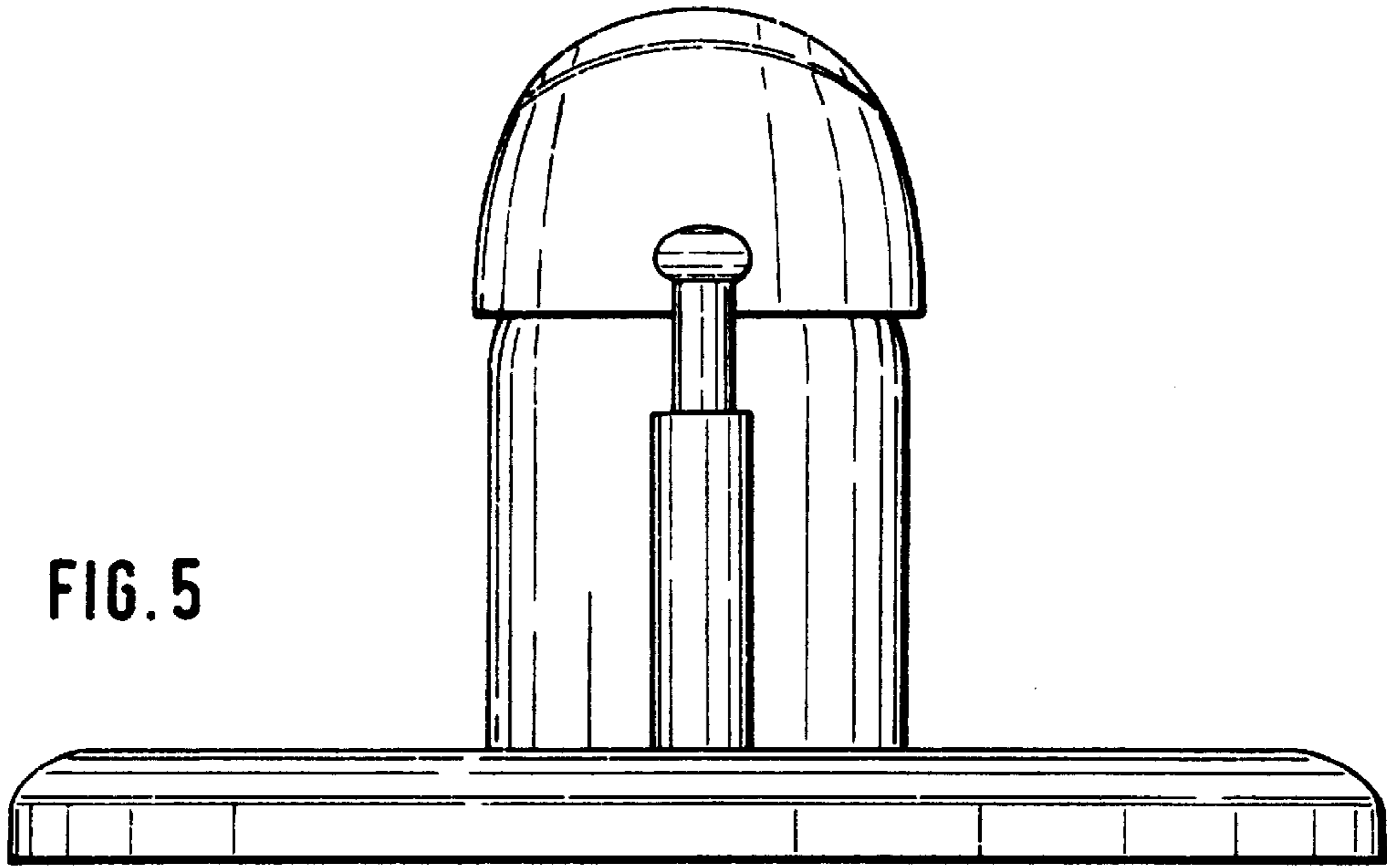


FIG. 6

