



US00D412357S

# United States Patent [19] Marshall

[11] Patent Number: Des. 412,357  
[45] Date of Patent: \*\* Jul. 27, 1999

[54] **SHOWERHEAD**

[75] Inventor: **Christopher Marshall**, Cumming, Ga.

[73] Assignee: **Masco Corporation of Indiana**,  
Indianapolis, Ind.

[\*] Notice: This patent is subject to a terminal disclaimer.

[\*\*] Term: **14 Years**

[21] Appl. No.: **29/086,298**

[22] Filed: **Apr. 9, 1998**

[51] **LOC (6) Cl.** ..... **23-01**

[52] **U.S. Cl.** ..... **D23/229**

[58] **Field of Search** ..... D23/213, 214,  
D23/223, 226, 229, 230; 239/459-462,  
587.1

- D. 337,810 7/1993 Bengtson et al. .
- D. 339,627 9/1993 Klose .
- D. 355,951 2/1995 Ran .
- D. 363,114 10/1995 Andrus .
- D. 364,915 12/1995 Huang ..... D23/213
- D. 366,307 1/1996 Doughty et al. .... D23/229
- D. 367,696 3/1996 Andrus .
- D. 368,761 4/1996 Andrus .
- D. 369,203 4/1996 Andrus .
- D. 369,204 4/1996 Andrus .
- D. 369,205 4/1996 Andrus .
- D. 377,965 2/1997 Andrus .
- D. 393,047 3/1998 Andrus et al. .
- 3,180,579 4/1965 Tomaso .
- 3,468,483 9/1969 Parkison .
- 4,203,550 5/1980 On .
- 4,303,201 12/1981 Elkins et al. .
- 4,588,130 5/1986 Trenary et al. .
- 4,629,125 12/1986 Liu .
- 5,297,735 3/1994 Heimann et al. .

[56] **References Cited**

**U.S. PATENT DOCUMENTS**

- D. 113,439 2/1939 Reinecke .
- D. 118,419 1/1940 Rockwood .
- D. 208,526 9/1967 Delamater .
- D. 245,859 9/1977 Grube .
- D. 261,300 10/1981 Klose .
- D. 261,417 10/1981 Klose .
- D. 267,582 1/1983 Mackay et al. .
- D. 268,359 3/1983 Klose .
- D. 269,540 6/1983 Larsson .
- D. 290,497 6/1987 Huen ..... D23/229
- D. 295,437 4/1988 Fabian .
- D. 299,050 12/1988 Gonzalez ..... D23/229
- D. 313,456 1/1991 Presman .
- D. 313,833 1/1991 Presman .
- D. 314,608 2/1991 Presman .
- D. 315,191 3/1991 Mikol .
- D. 320,064 9/1991 Presman .
- D. 323,545 1/1992 Ward ..... D23/213
- D. 327,115 6/1992 Rogers .
- D. 327,729 7/1992 Rogers .
- D. 332,303 1/1993 Klose .
- D. 333,338 2/1993 Klose .
- D. 334,046 3/1993 Klose .
- D. 334,048 3/1993 Ben-Zur .

**OTHER PUBLICATIONS**

Advertisement "Great Vibrations", Hardware Age, Mar. 1997.

*Primary Examiner*—Robin V. Taylor  
*Attorney, Agent, or Firm*—Myron B. Kapustij; Leon E. Redman

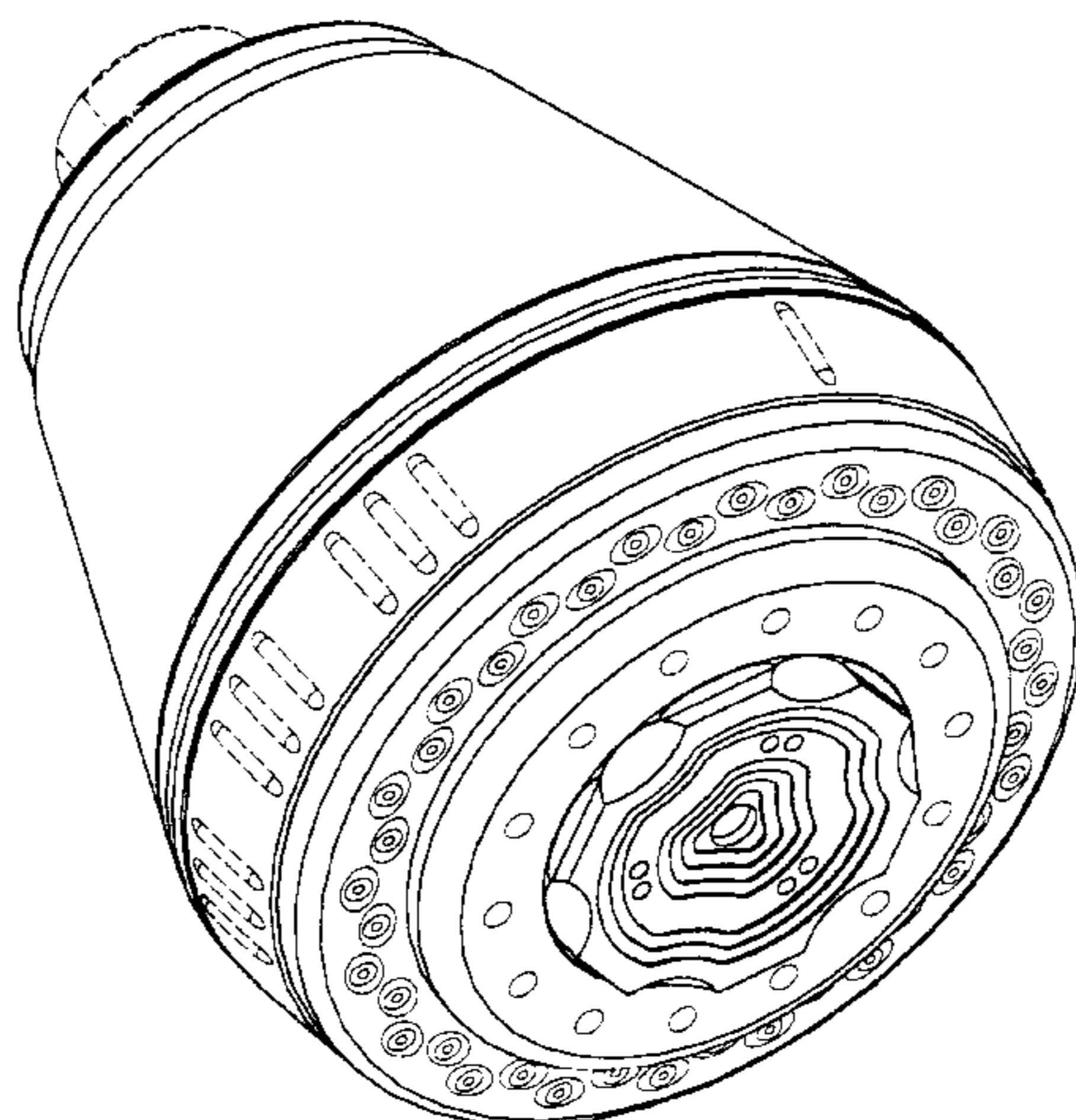
[57] **CLAIM**

The ornamental design for a showerhead, as shown and described.

**DESCRIPTION**

FIG. 1 is a front perspective view of a showerhead showing my new design;  
FIG. 2 is a rear perspective view thereof;  
FIG. 3 is a front elevational view thereof;  
FIG. 4 is a side elevational view thereof, the opposite side being a mirror image; and,  
FIG. 5 is a rear elevational view thereof.  
The broken line representation of the swivel attachment socket at the rear of the showerhead in FIG. 1, 2, 4 and 5 and of the ribs around the periphery of the faceplate in FIGS. 1-5 are for purposes of illustration only and form no part of the claimed design.

**1 Claim, 2 Drawing Sheets**



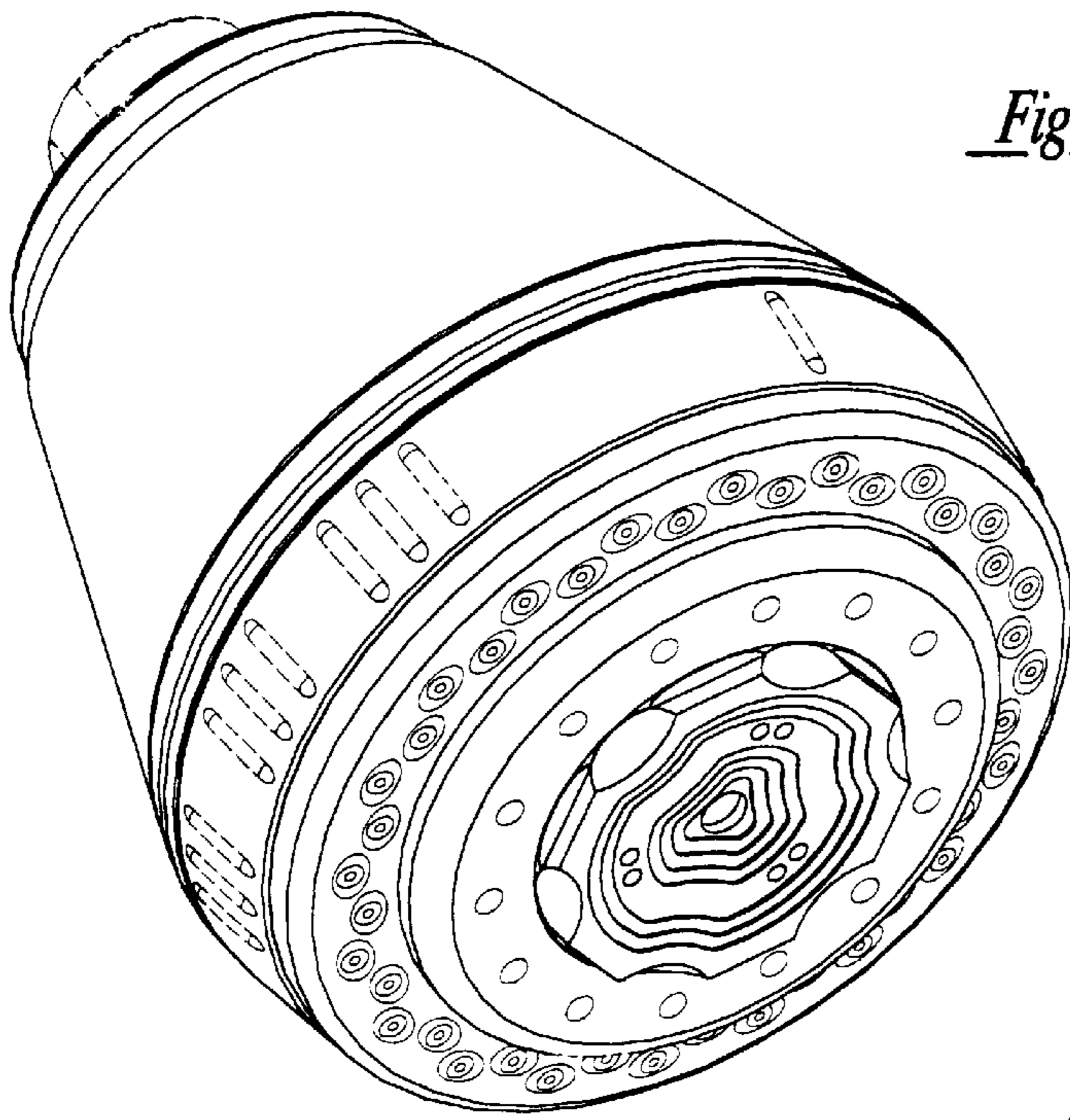


Fig-1

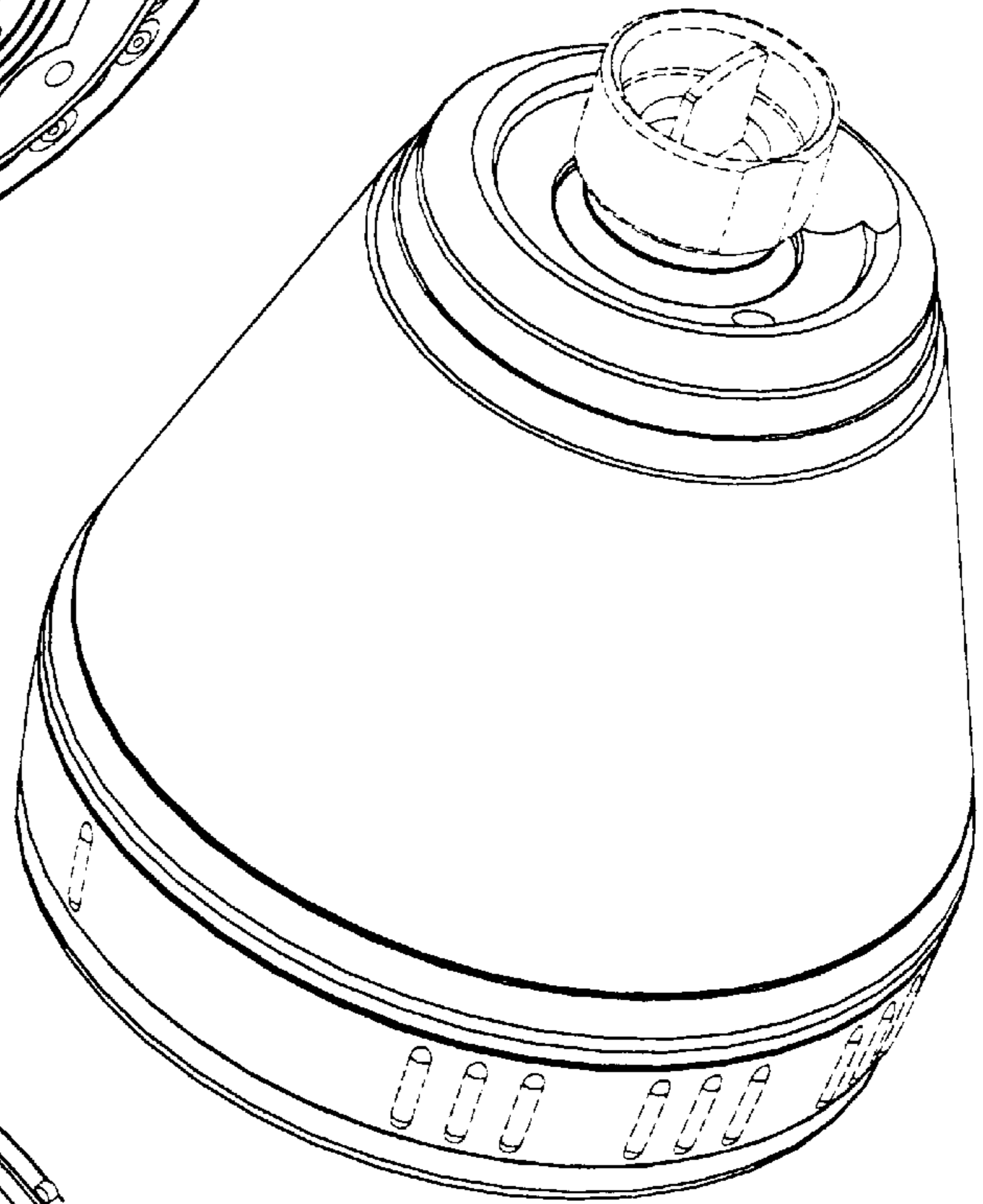


Fig-2

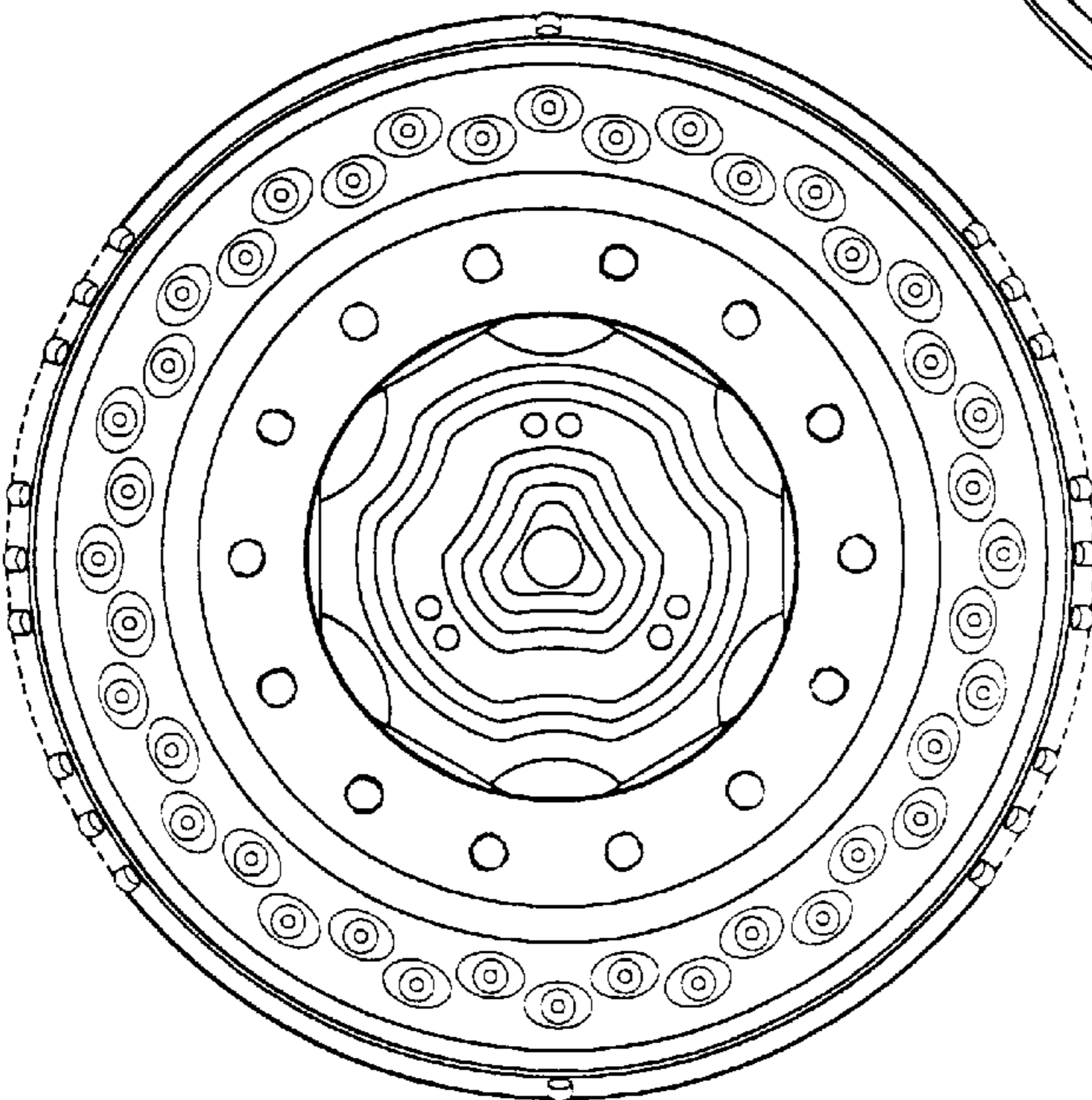


Fig-3

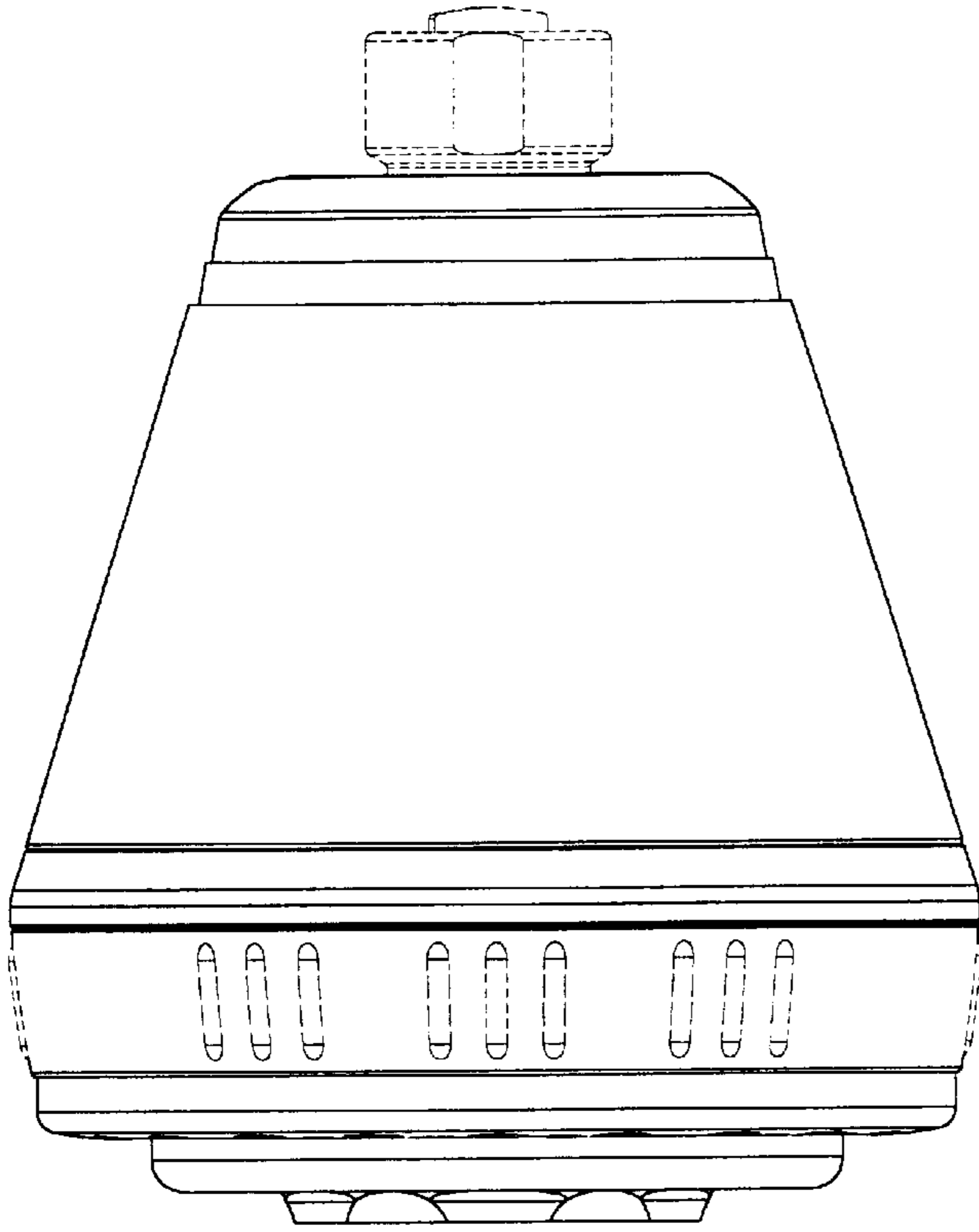


Fig-4

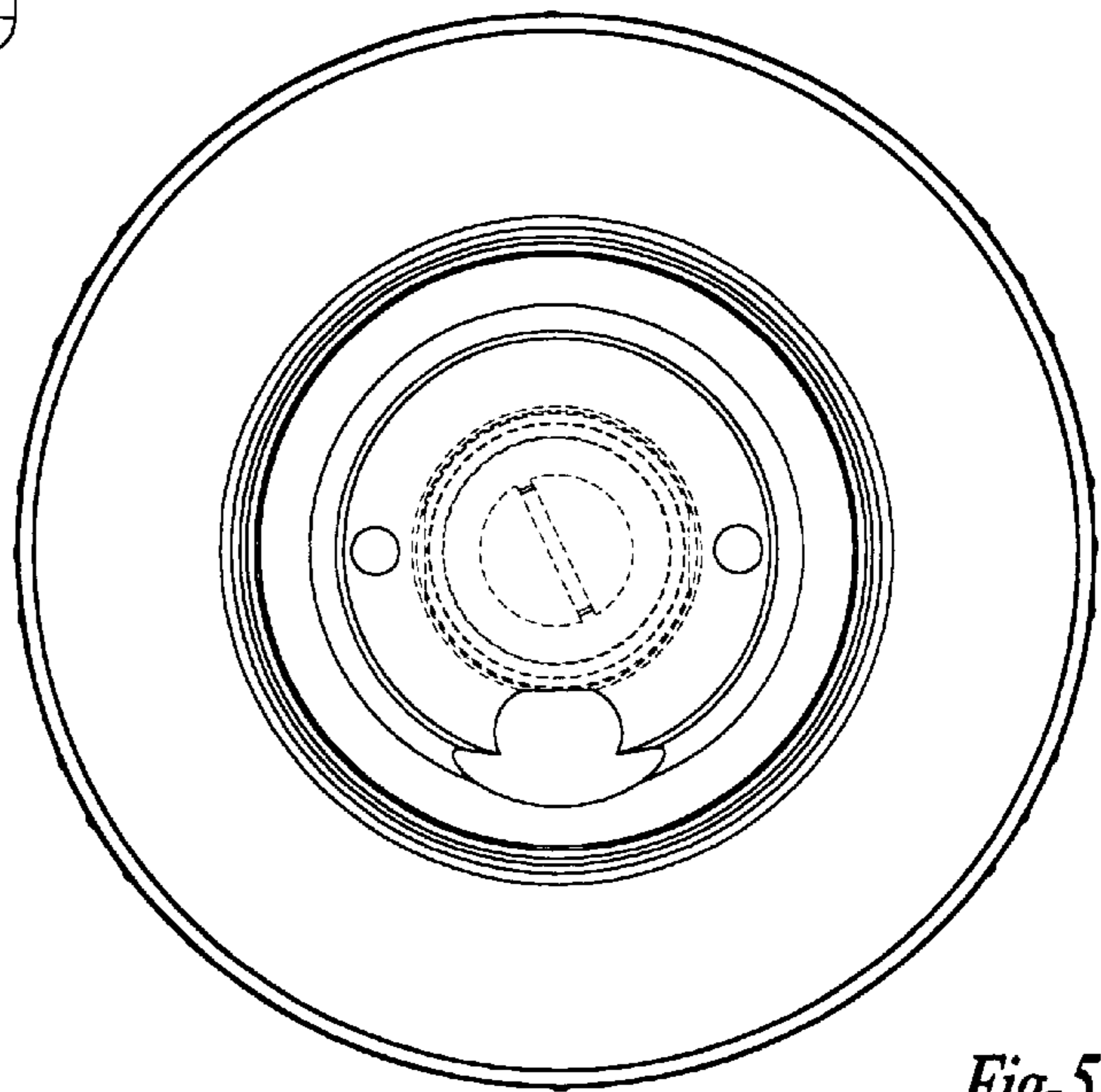


Fig-5