



US00D412349S

United States Patent [19] O'Sullivan

[11] **Patent Number: Des. 412,349**
[45] **Date of Patent: ** Jul. 27, 1999**

[54] **YO-YO**
[76] **Inventor: Brendon M. O'Sullivan, 18 Belson St., East Malvern, Victoria, Australia, 3145**
[**] **Term: 14 Years**
[21] **Appl. No.: 29/095,633**
[22] **Filed: Oct. 27, 1998**

3,036,835 5/1962 Gartner 446/221 X
3,175,326 3/1965 Isaacson .
3,256,635 6/1966 Radovan .
4,130,962 12/1978 Ennis .
4,207,701 6/1980 Kuhn .
4,332,102 6/1982 Caffrey .
4,895,547 1/1990 Amaral .

Related U.S. Application Data

[60] Division of application No. 09/114,791, Jul. 13, 1998, which is a continuation-in-part of application No. 08/950,947, Oct. 15, 1997.

Primary Examiner—Dominic Simone
Attorney, Agent, or Firm—Alix, Yale & Ristas, LLP

Foreign Application Priority Data

Jul. 14, 1997 [AU] Australia PO 7872
Aug. 19, 1997 [AU] Australia 34257/97
Sep. 5, 1997 [AU] Australia 36832/97

[57] CLAIM

The ornamental design for a yo-yo, as shown.

[51] **LOC (6) Cl. 21-01**
[52] **U.S. Cl. D21/464**
[58] **Field of Search D21/460, 464; 446/261**

DESCRIPTION

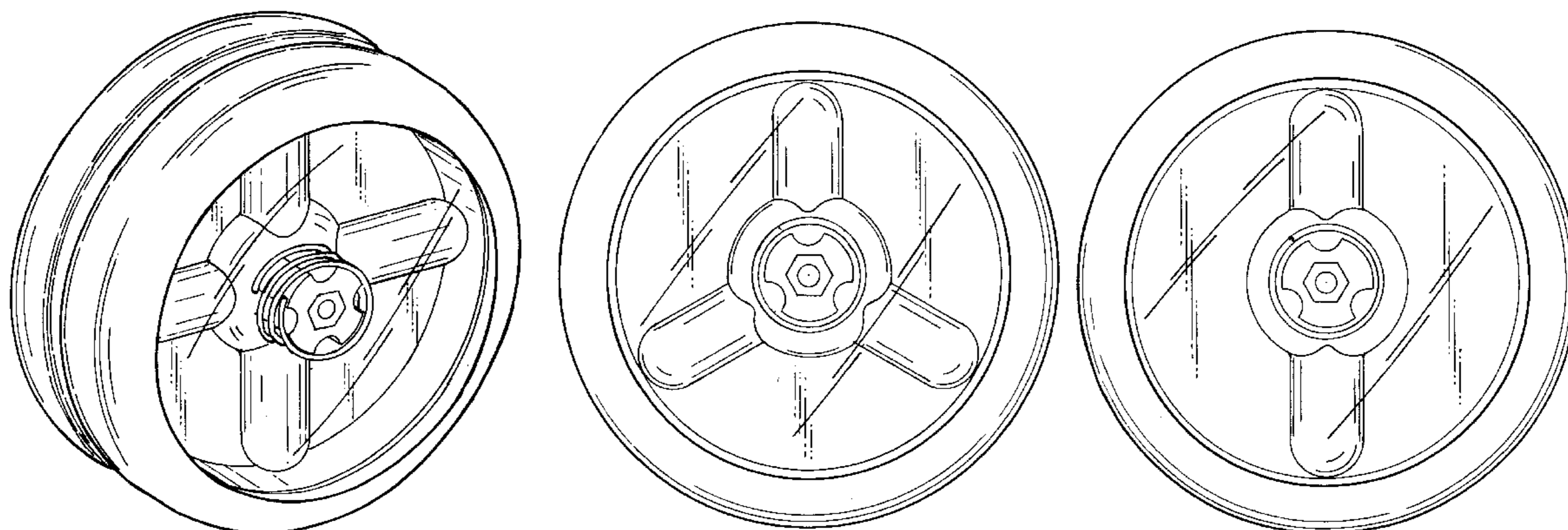
FIG. 1 is a perspective view of a yo-yo embodying my design;
FIG. 2 is a right side-elevation view thereof, the left side-elevation view being identical thereto;
FIG. 3 is a front elevation view thereof, the rear elevation view, the top plan view and the bottom plan view being identical thereto;
FIG. 4 is a right side-elevation view of a second embodiment of my new design, the left side-elevation view being identical thereto and the front elevation, rear elevation, top plan and bottom plan views being identical to FIG. 3; and,
FIG. 5 is a right side-elevation view of a third embodiment of my new design, the left side-elevation view being identical thereto, the front elevation, rear elevation, top plan and bottom plan views being identical to FIG. 3.

[56] References Cited

U.S. PATENT DOCUMENTS

D. 156,582 12/1949 Tomarin D21/464
D. 167,723 9/1952 Scott D21/464
D. 247,386 2/1978 Hellman D21/464

1 Claim, 3 Drawing Sheets



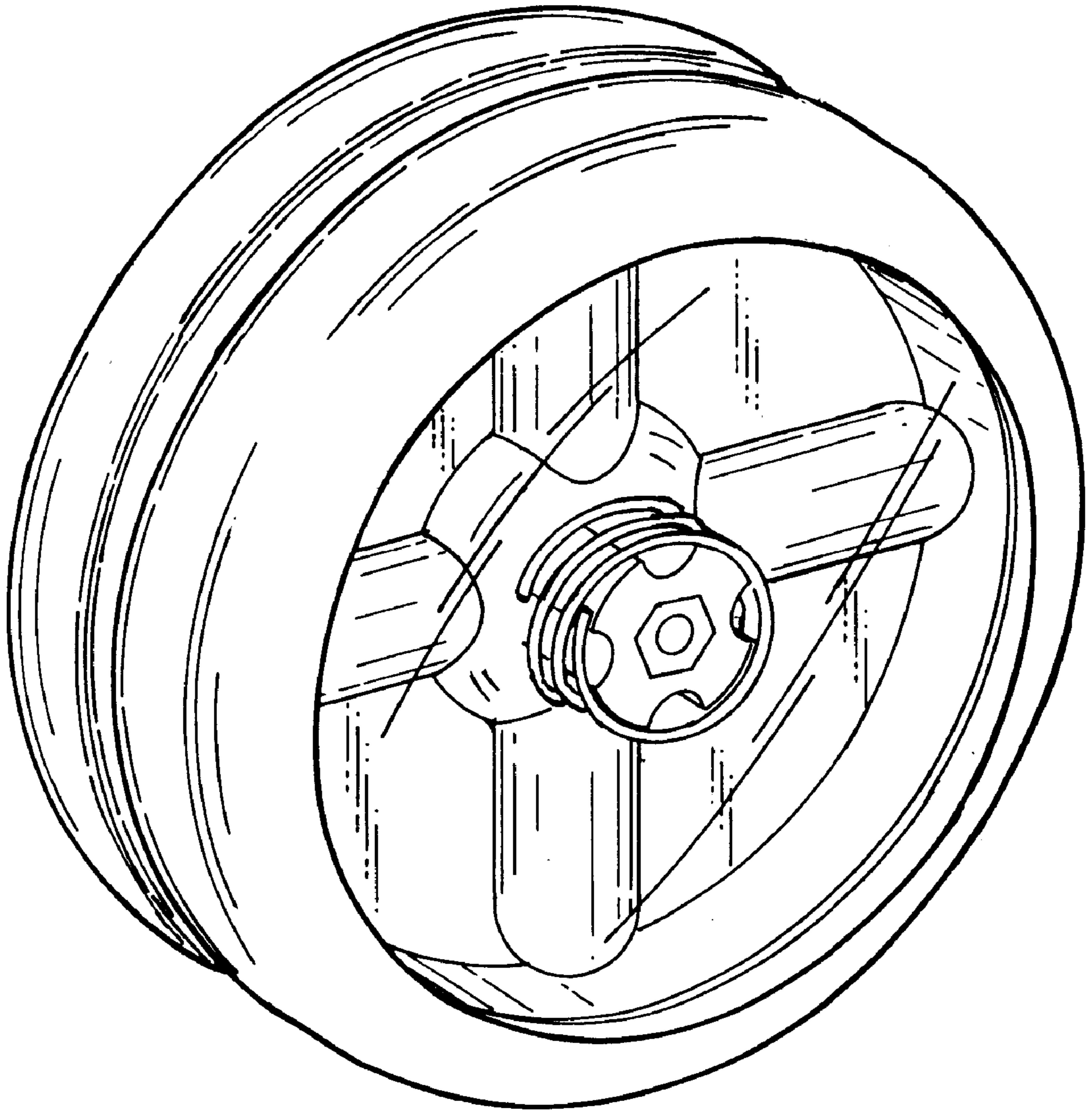


FIG. 1

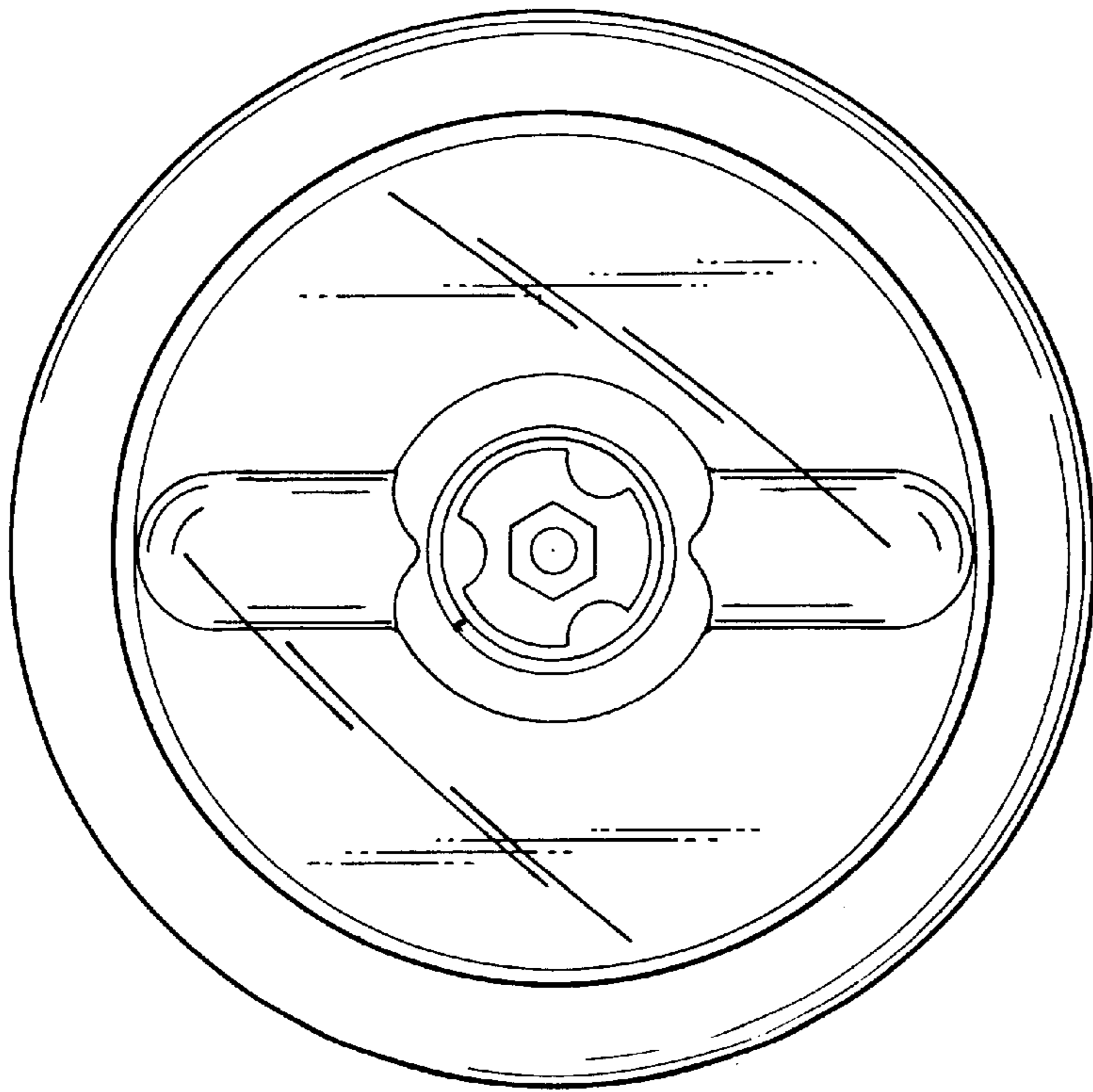


FIG. 5

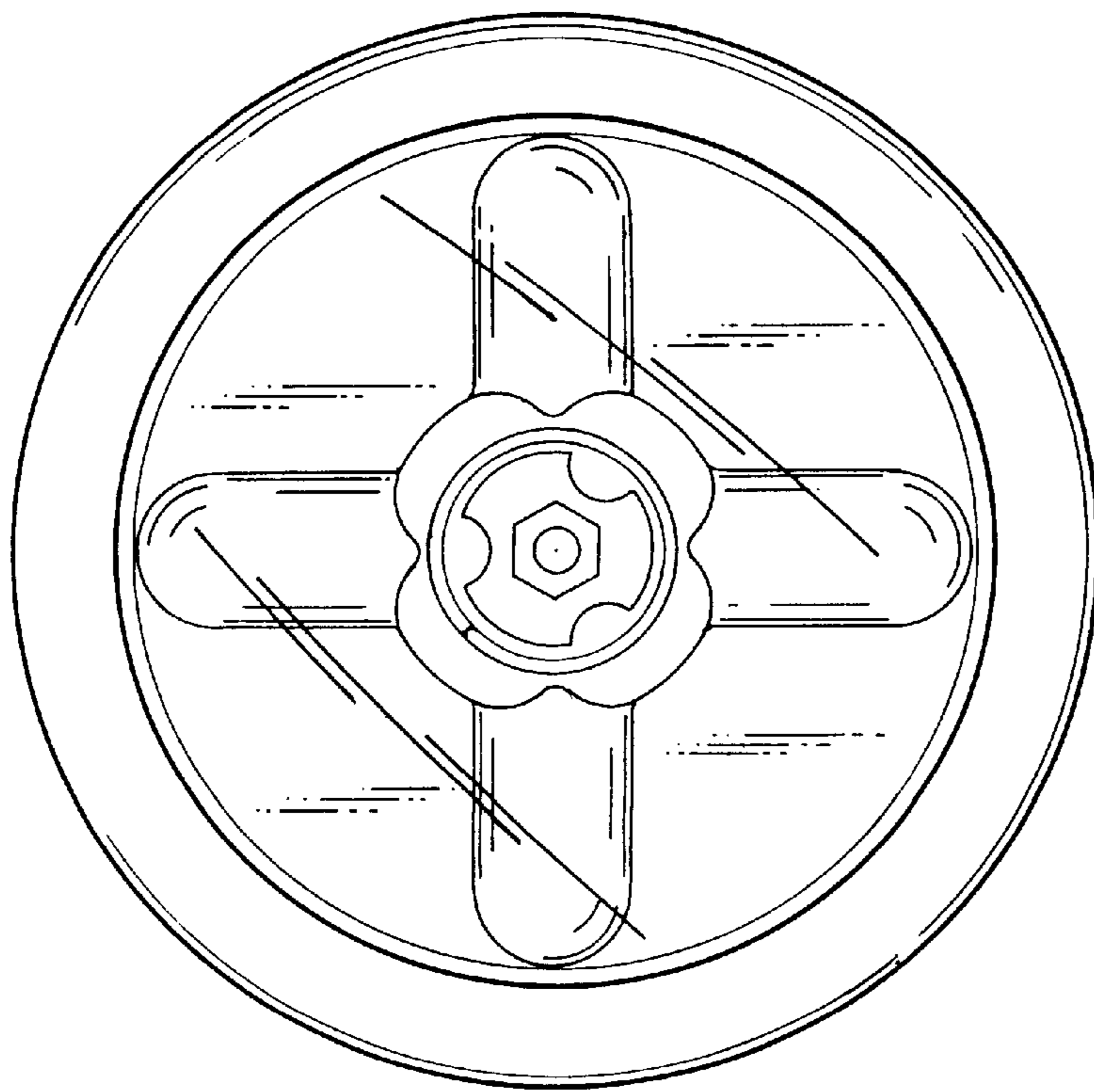


FIG. 2

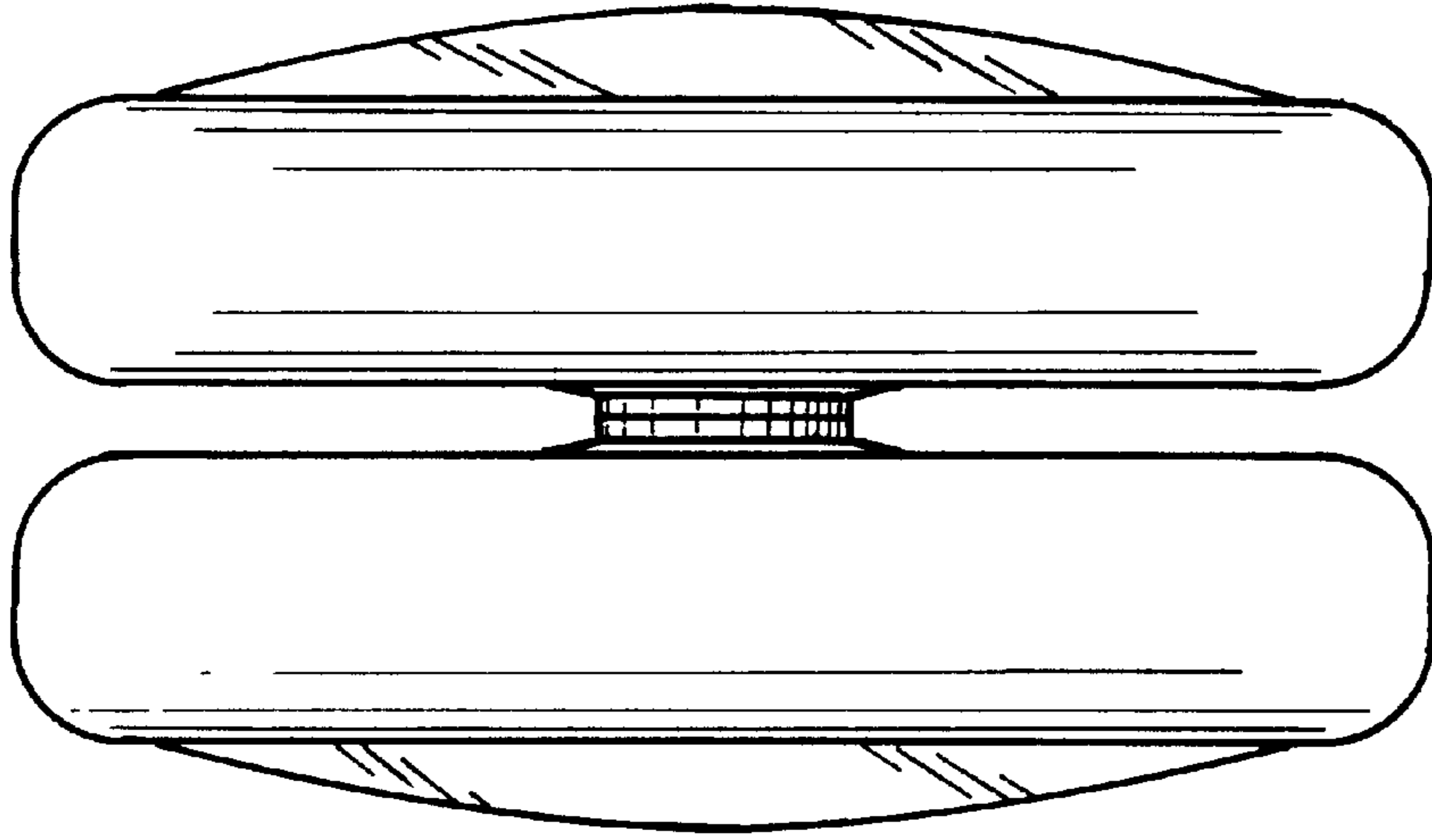


FIG. 3

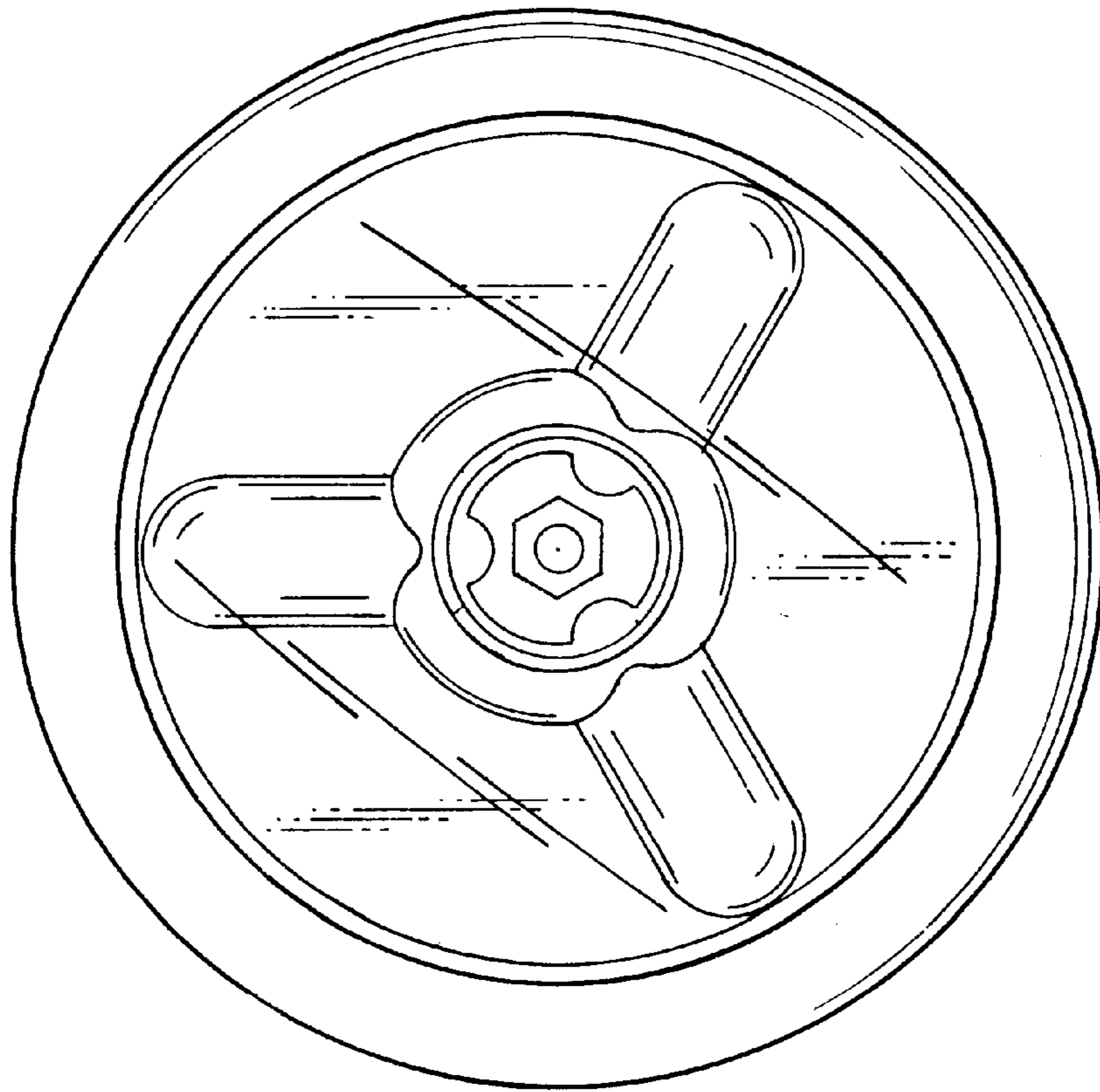


FIG. 4