



US00D412348S

United States Patent [19]

Gebauer et al.

[11] Patent Number: Des. 412,348

[45] Date of Patent: ** Jul. 27, 1999

[54] ATTACHABLE KEG TABLE FOR GAMES

[76] Inventors: **Kenneth Gebauer**, 633 Franklin Ave., Suite 280, Nutley, N.J. 07110;
Kenneth Cenicola, 2994 Olden Oak La., Apt. 104, Auburn Hills, Mich. 48326

[**] Term: 14 Years

[21] Appl. No.: 29/088,508

[22] Filed: May 26, 1998

[51] LOC (6) Cl. 21-01

[52] U.S. Cl. D21/397; D6/511

[58] Field of Search D21/334-368,
D21/397; 273/236-285; D6/486, 511; 108/147.18,
150; 248/605, 608

[56] **References Cited**

U.S. PATENT DOCUMENTS

D. 31,157	7/1899	Stover	D6/511
D. 216,713	3/1970	Buchwach	D6/486
D. 291,635	9/1987	Dickman	D6/511
D. 324,148	2/1992	Dickman	D6/511
D. 324,887	3/1992	Cecalek	D21/341

D. 351,300	10/1994	Cox	D6/511
351,649	10/1886	Newman	108/150
D. 357,149	4/1995	Uselman	D6/511
D. 379,727	6/1997	Rylen	D6/511
2,805,109	9/1957	Kopmar	D6/511
2,838,351	6/1958	Siconolfi et al.	D6/486
4,428,305	1/1984	Creske	108/150
5,638,758	6/1997	Carr	108/150

Primary Examiner—Sandra L. Morris
Attorney, Agent, or Firm—Frank Cozzarelli, Jr.; Cozzarelli & Mautone Attorneys at Law

[57] **CLAIM**

The ornamental design for an attachable keg table for games.

DESCRIPTION

FIG. 1 is a front perspective view of the attachable keg table for games showing our design;
FIG. 2 is a front elevational view thereof;
FIG. 3 is a top view thereof;
FIG. 4 is a bottom view thereof; and,
FIG. 5 is a side elevational view thereof.

The broken line showing in FIG. 1 is for illustrative purposes only, and forms no part of the claimed design.

1 Claim, 2 Drawing Sheets

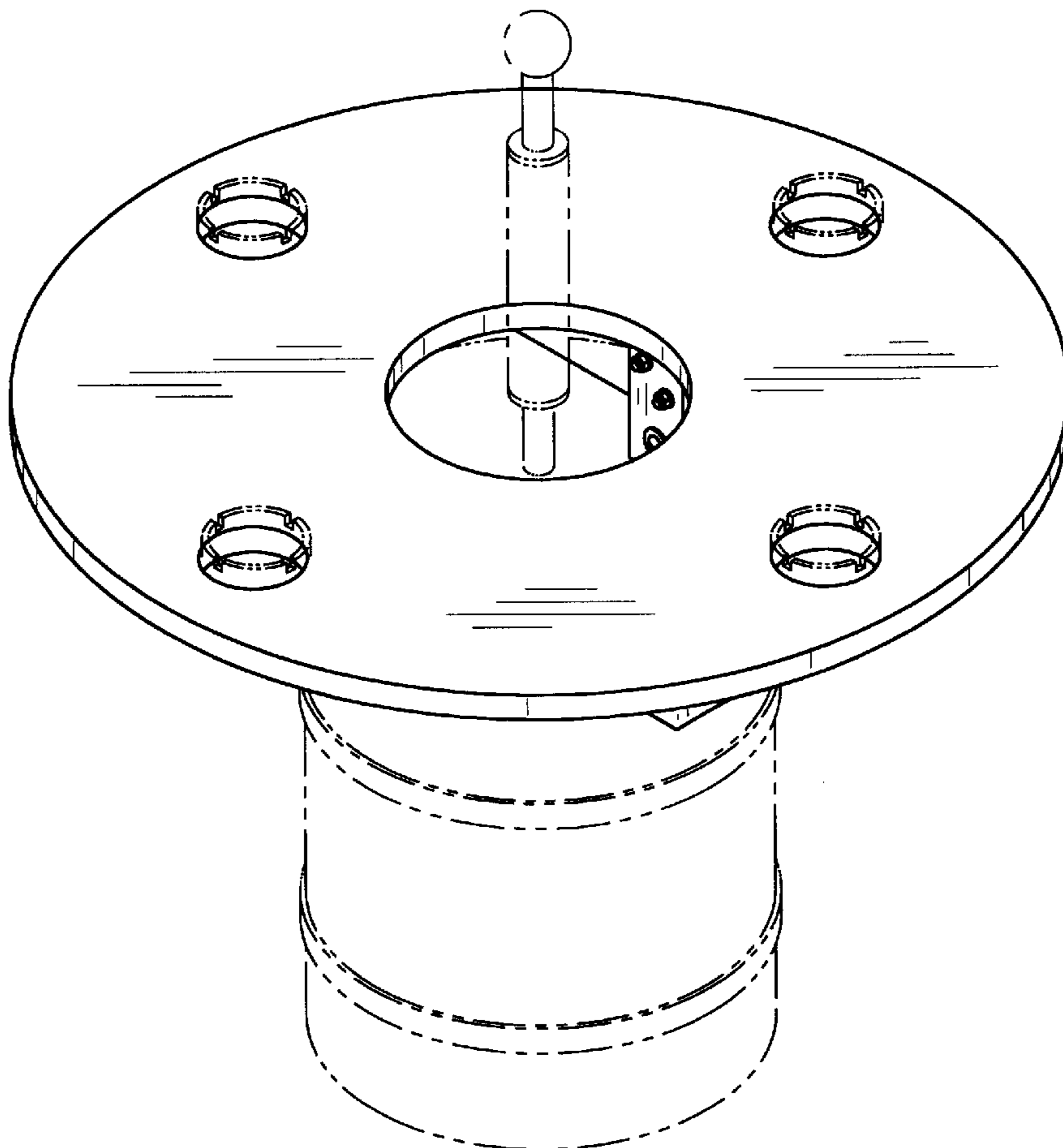


FIG. 1

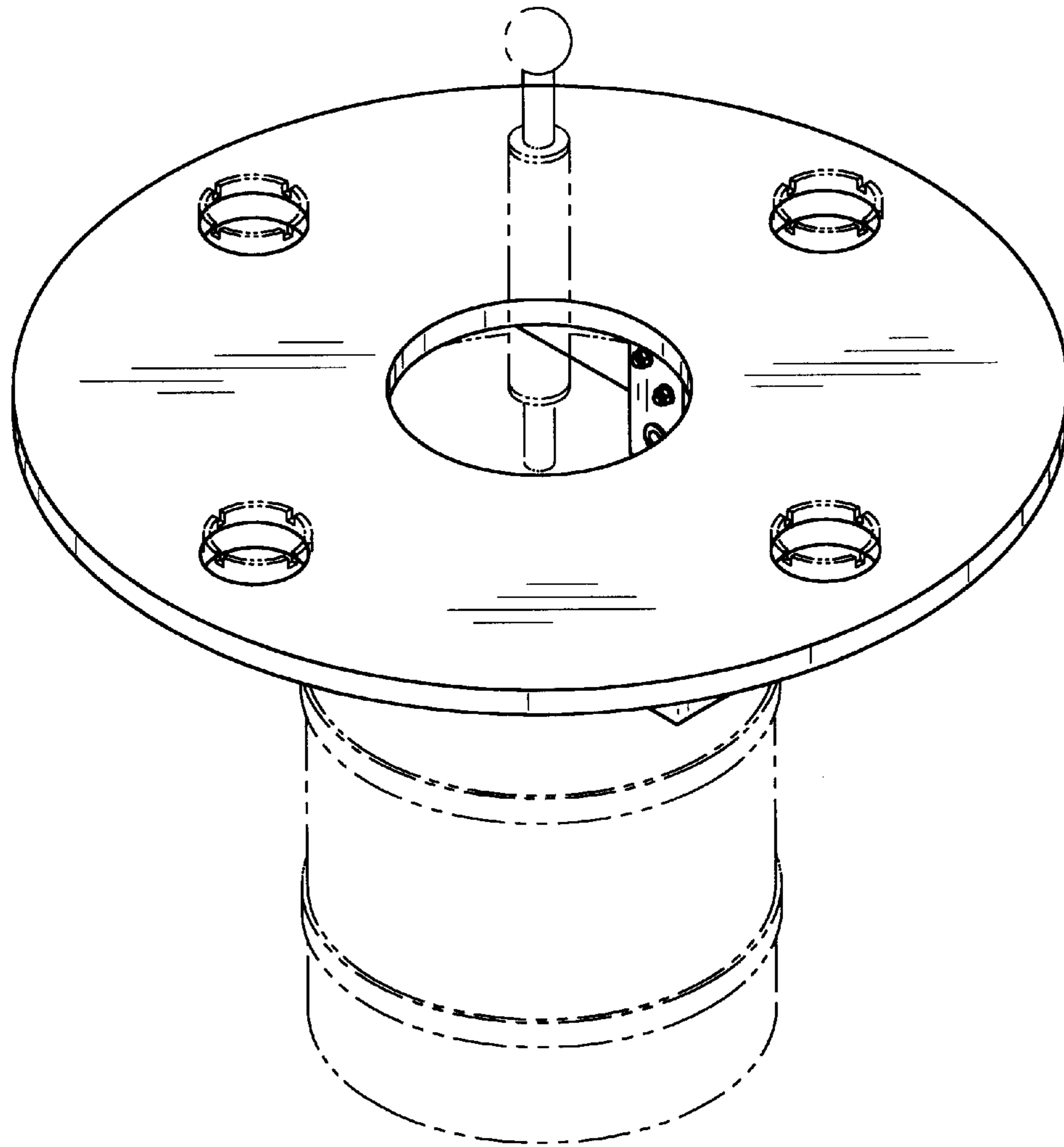


FIG. 2

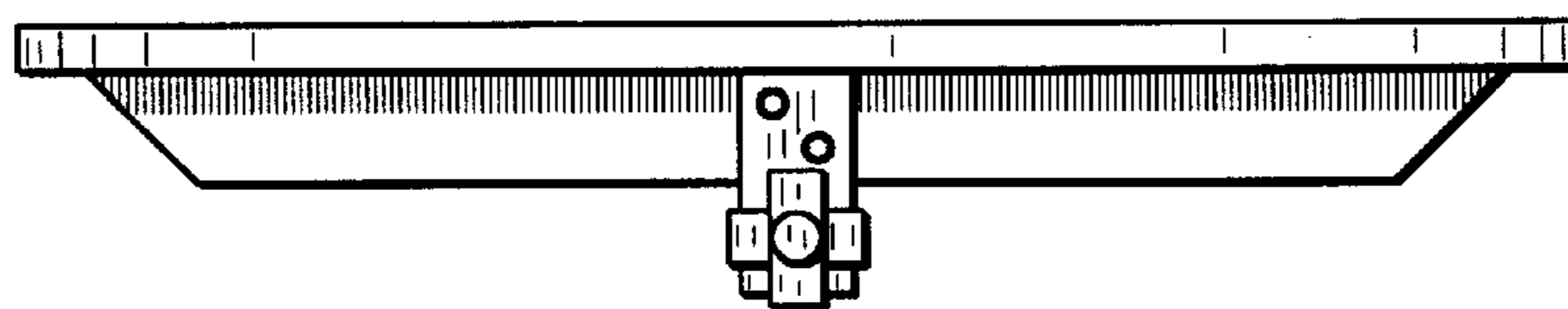


FIG. 3

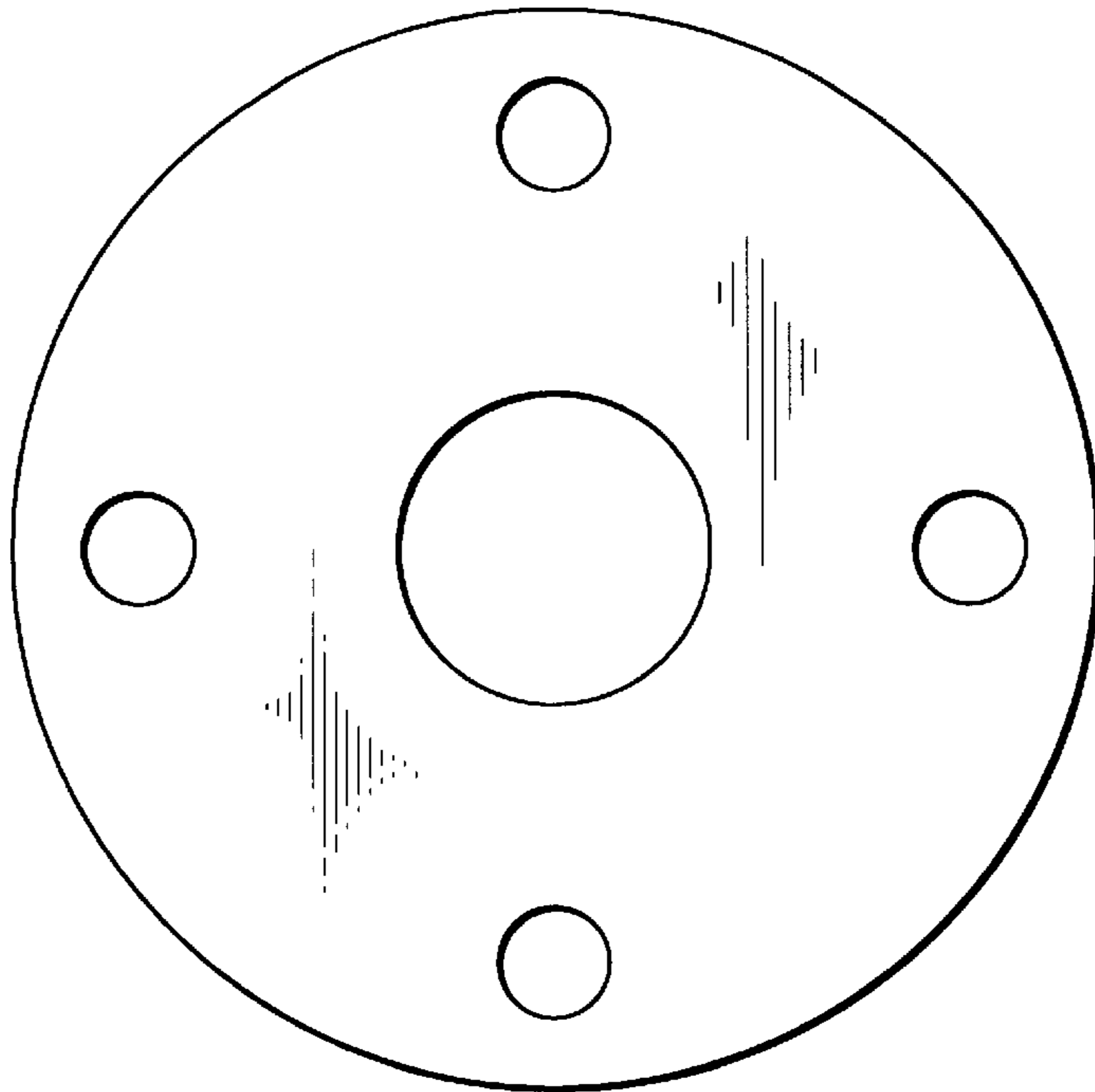


FIG. 4

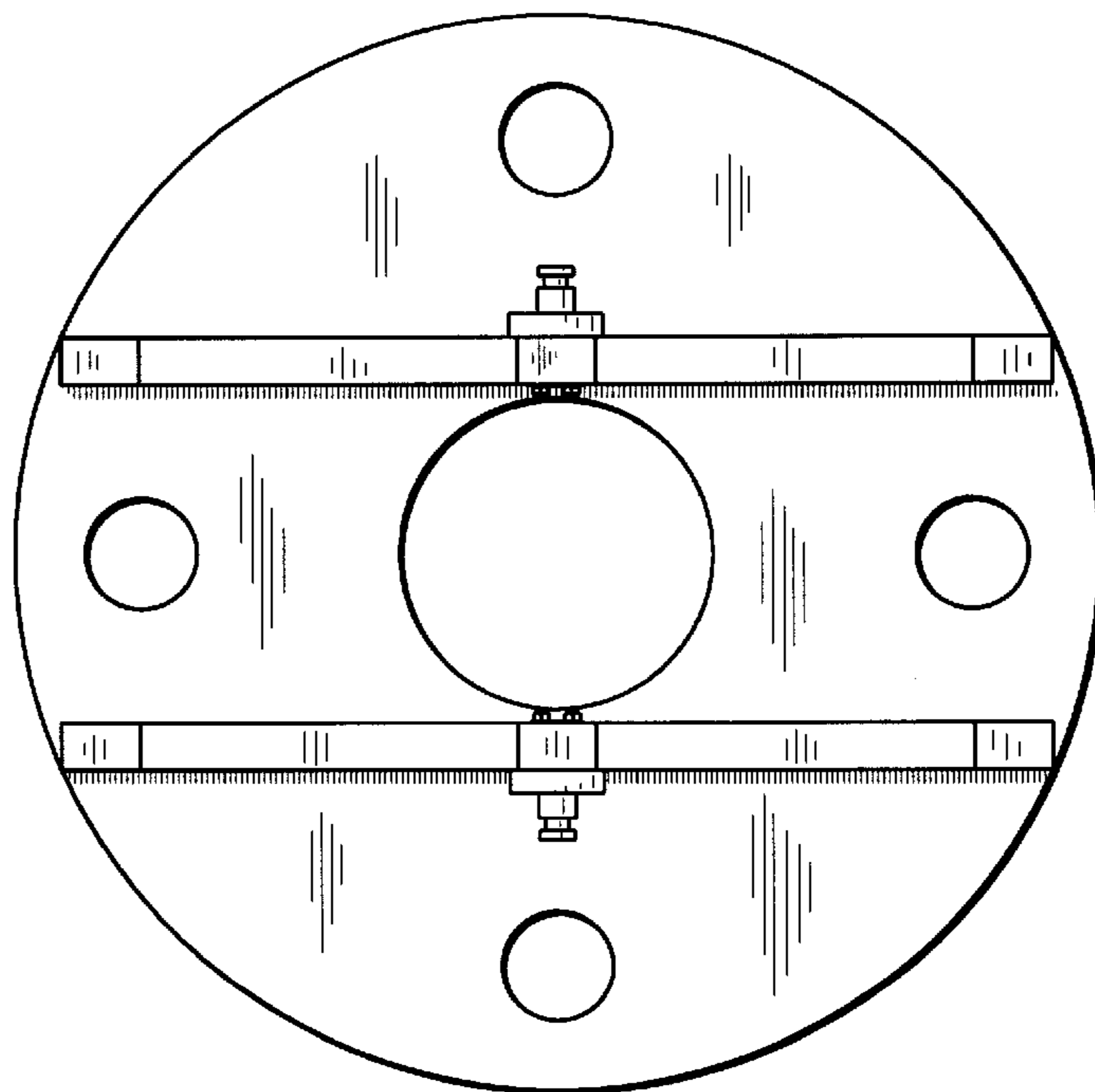


FIG. 5

