



US00D412347S

# United States Patent [19]

DeSimone et al.

[11] Patent Number: Des. 412,347

[45] Date of Patent: \*\* Jul. 27, 1999

## [54] SLOT MACHINE CABINET

[75] Inventors: Frank DeSimone, Las Vegas; Darren L. DeWall, Henderson, both of Nev.

[73] Assignee: Sigma Game Inc., Las Vegas, Nev.

[\*\*] Term: 14 Years

[21] Appl. No.: 29/085,293

[22] Filed: May 30, 1997

[51] LOC (6) Cl. .... 21-03

[52] U.S. Cl. .... D21/370; D21/385

[58] Field of Search ..... D21/369, 370, D21/385; D20/11, 19, 21; 463/46, 47

## [56] References Cited

### U.S. PATENT DOCUMENTS

D. 164,309	8/1951	McManus	.....	D21/370
D. 202,461	10/1965	Sederquist	.....	D20/19
D. 379,202	5/1997	Takemoto	.....	D21/370
D. 383,802	9/1997	Levy	.....	D21/385

## OTHER PUBLICATIONS

Photocopy of Circa 1970, Bally Circus (1 p.).

Primary Examiner—Sandra L. Morris  
Attorney, Agent, or Firm—Skjerven, Morrill, MacPherson, Franklin & Friel LLP; Brian D. Ogonowsky

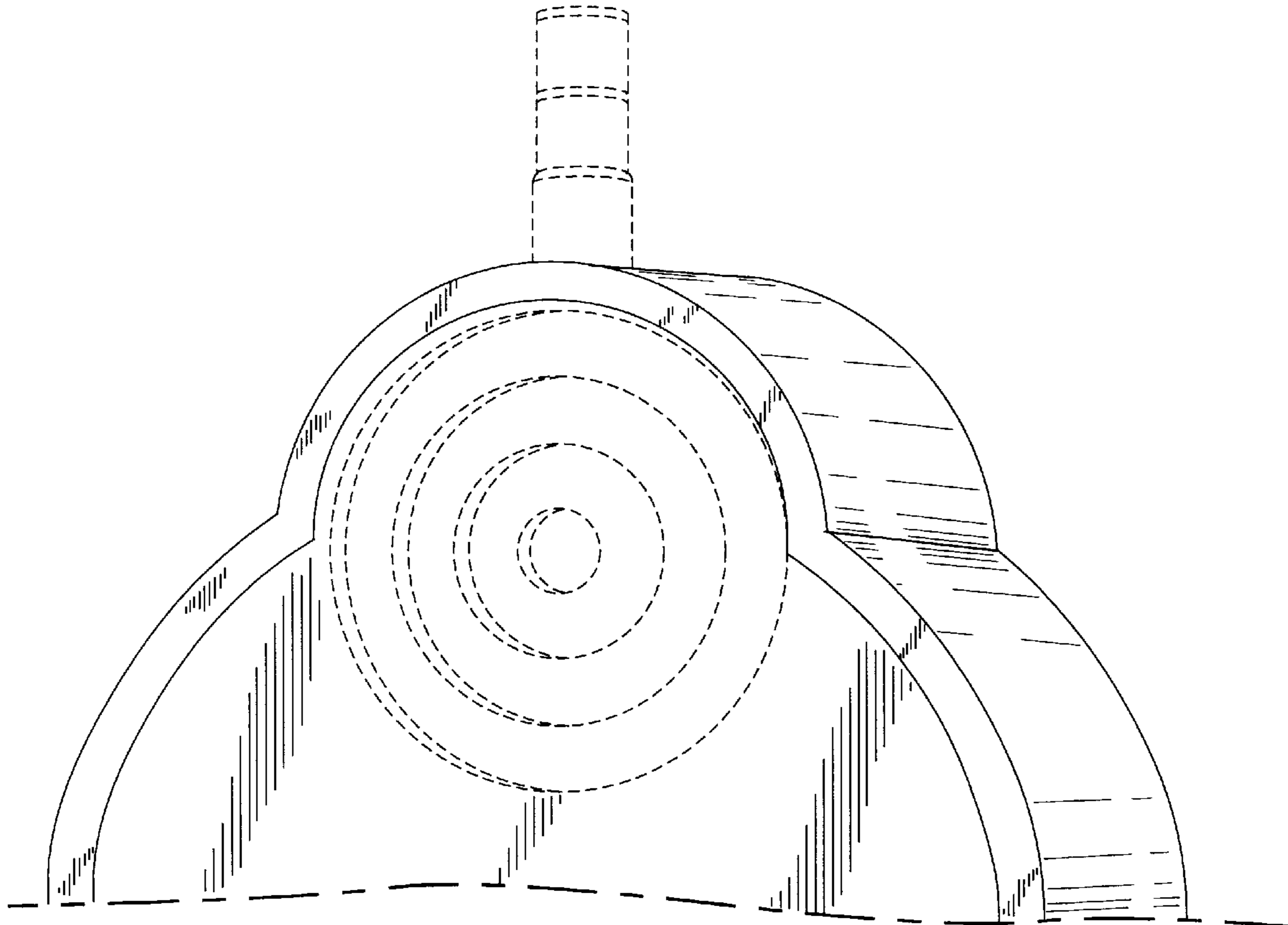
## [57] CLAIM

We claim the ornamental design for a slot machine cabinet, as shown and described.

## DESCRIPTION

FIG. 1 is a right front perspective view of a slot machine cabinet, showing our new design; FIG. 2 is a rear view thereof; FIG. 3 is a top view thereof; FIG. 4 is a left side view thereof; and, FIG. 5 is a right side view thereof. FIGS. 2-5 are shown on a reduced scale. The broken line drawings of the gaming machine, including portions of the display portion, are to show environment only and such environment is not being claimed.

1 Claim, 3 Drawing Sheets



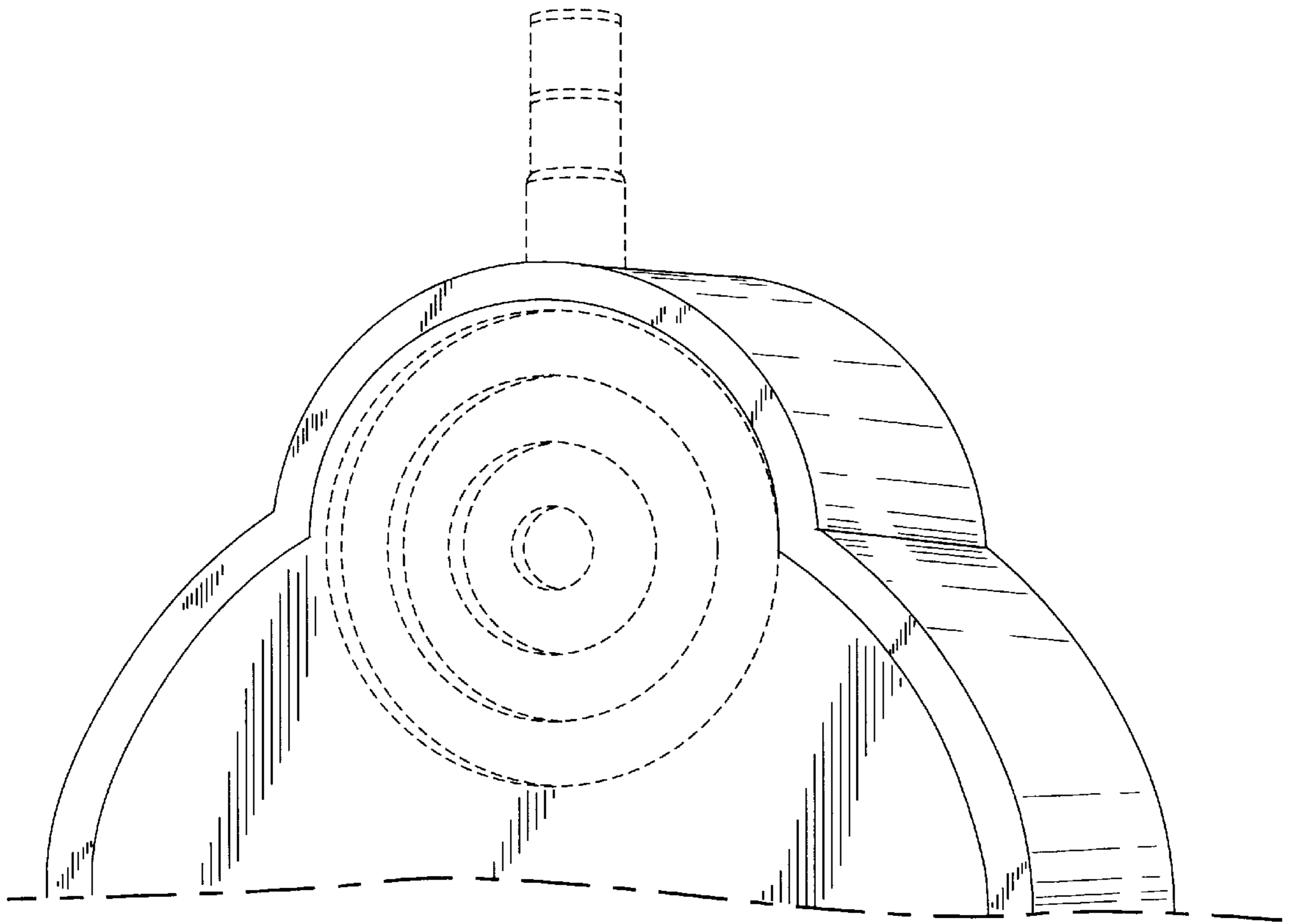


FIG. 1

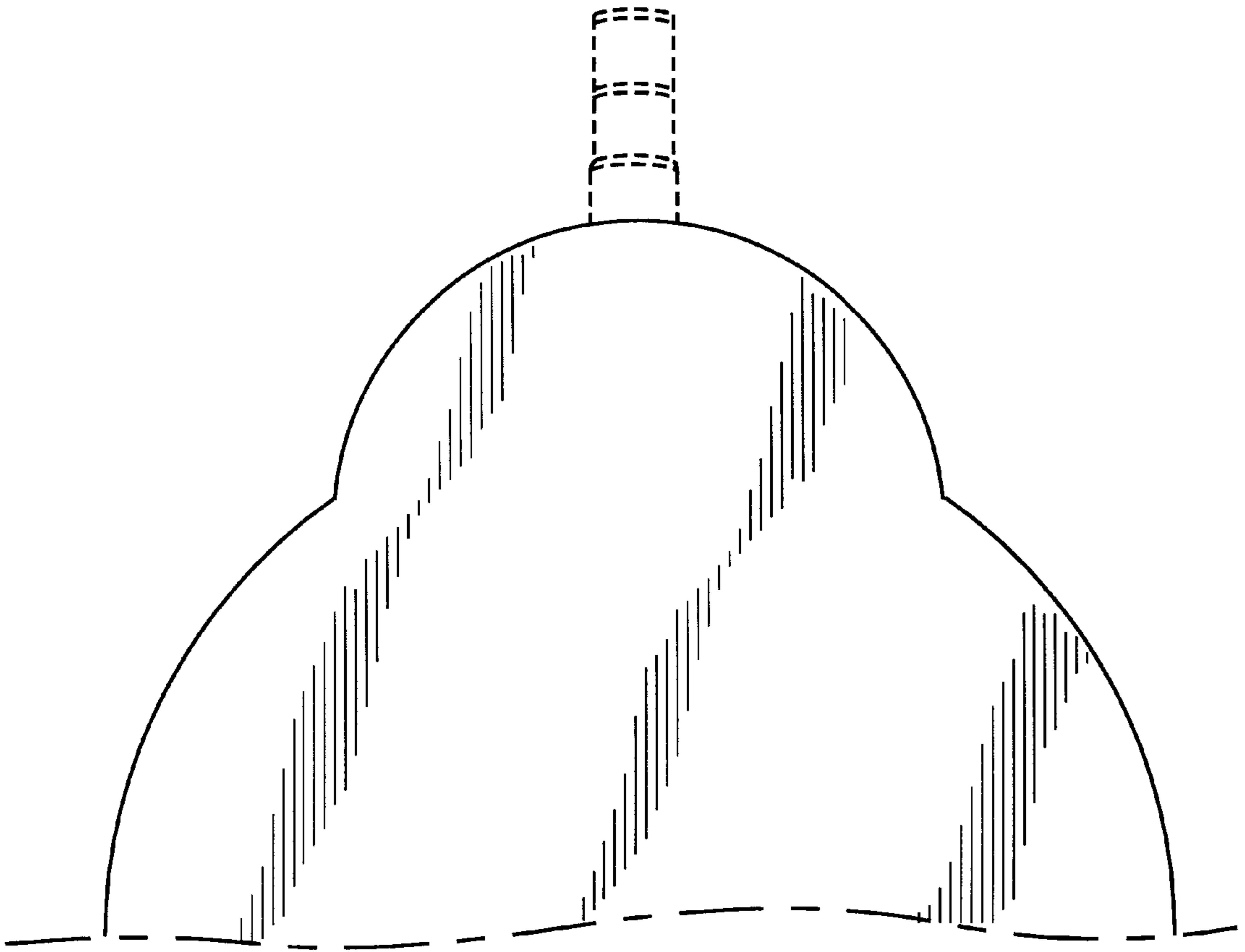


FIG. 2

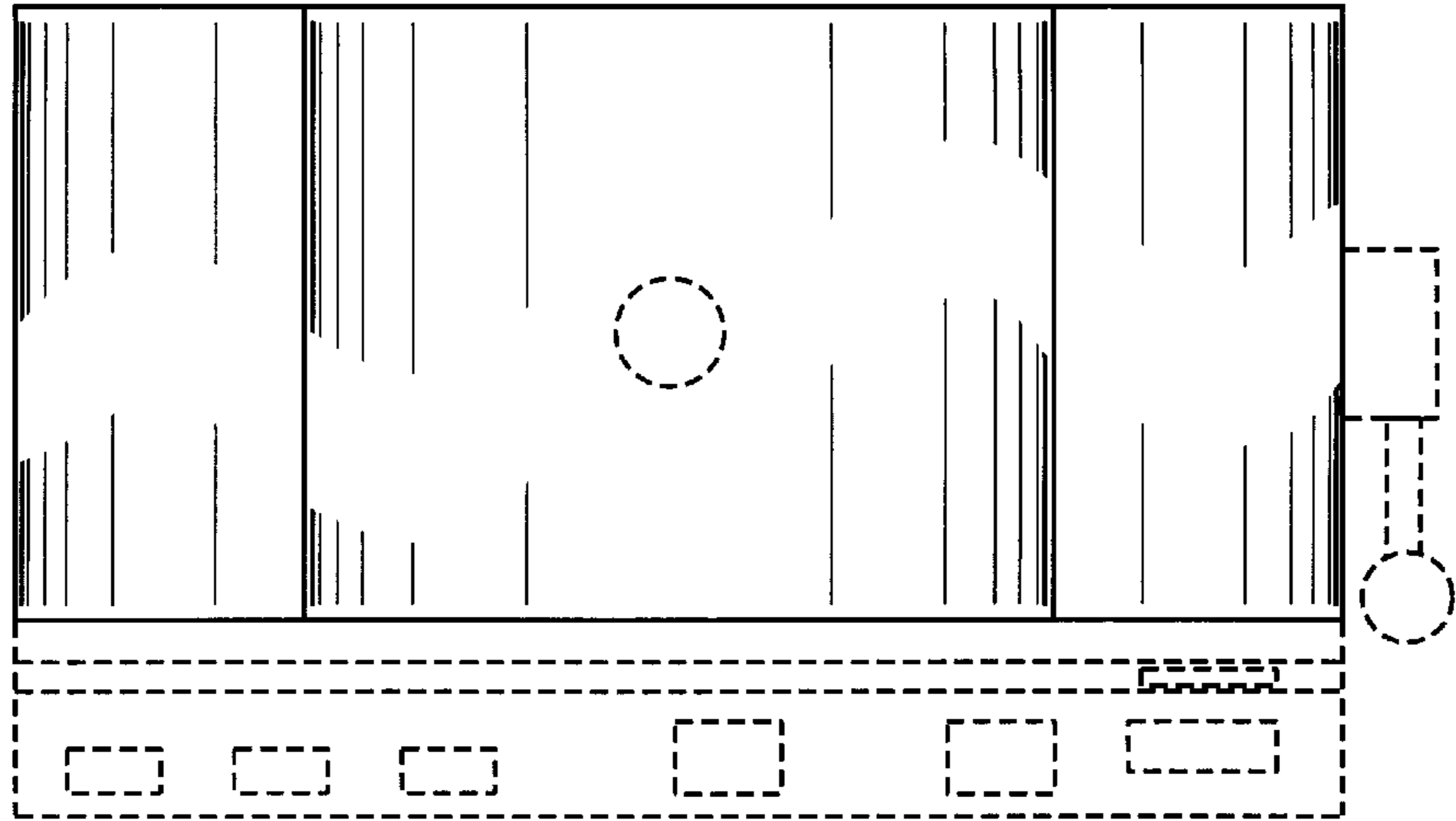


FIG. 3

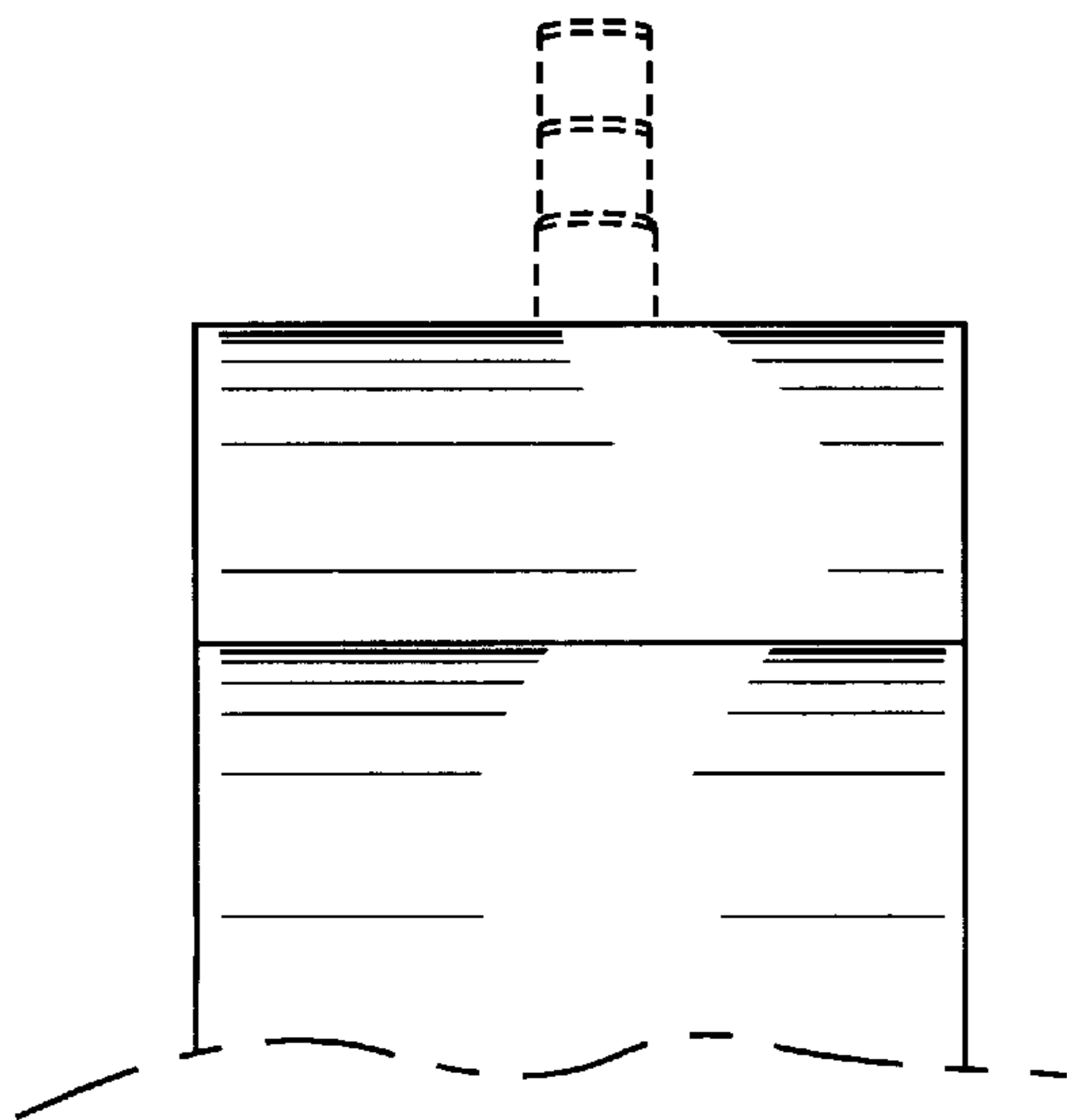


FIG. 4

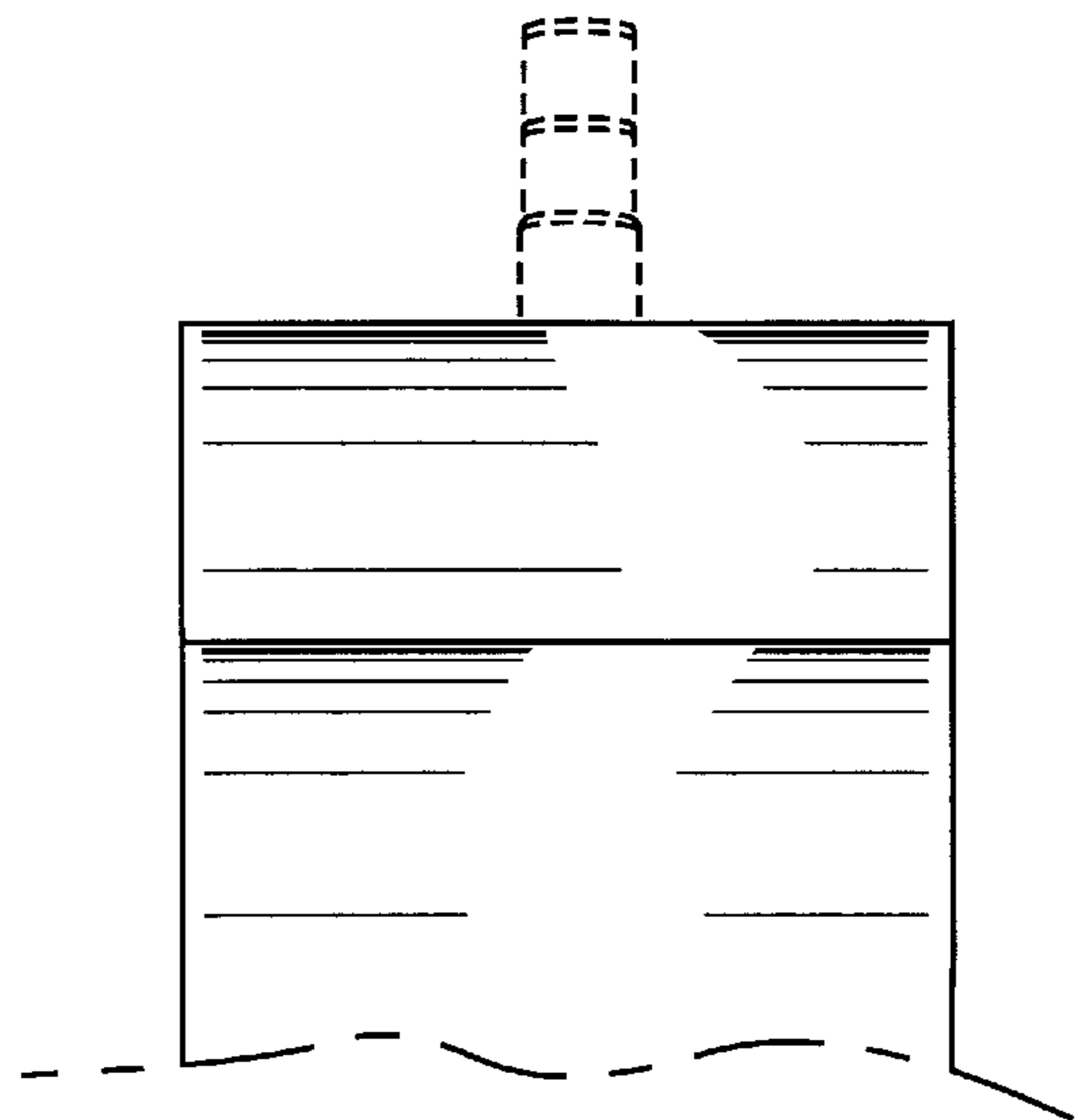


FIG. 5