



US00D412338S

United States Patent [19]

Goto et al.

[11] Patent Number: **Des. 412,338**

[45] Date of Patent: **** Jul. 27, 1999**

[54] **STROBE FOR DIGITAL STILL CAMERA**

3,364,829 1/1968 Ackerman 362/3
5,708,874 1/1998 Schrock et al. 396/174

[75] Inventors: **Masaaki Goto; Koji Masano**, both of Ehime, Japan

OTHER PUBLICATIONS

Shutterbug Magazine, p. 75 (Camera Flash, Mocol 110), Apr. 1986.
Sony HVL-FDH and HVL-S3D Models, Catalog page issued before Oct. 29, 1997.

[73] Assignee: **Matsushita Electric Industrial Co., Ltd.**, Osaka, Japan

[**] Term: **14 Years**

Primary Examiner—Adir Aronovich
Attorney, Agent, or Firm—Saidman DesignLaw Group

[21] Appl. No.: **29/086,960**

[22] Filed: **Apr. 23, 1998**

[57] CLAIM

Related U.S. Application Data

The ornamental design for a strobe for digital still camera, as shown and described.

[30] Foreign Application Priority Data

DESCRIPTION

Oct. 29, 1997 [JP] Japan 9-73277

[51] **LOC (6) Cl.** **16-05**

FIG. 1 is a perspective view of the top, front and right side of a strobe for digital still camera showing our new design; FIG. 2 is a perspective view of the top, rear and left side thereof;

[52] **U.S. Cl.** **D16/239; D26/24**

FIG. 3 is a top plan view thereof;
FIG. 4 is a bottom view thereof;
FIG. 5 is a front elevational view thereof;
FIG. 6 is a right side view thereof;
FIG. 7 is a rear elevational view thereof; and,
FIG. 8 is a left side view thereof.

[58] **Field of Search** D16/237, 239, D16/240; D26/24, 37, 38; 362/3, 8, 16-18; 396/155, 174

[56] References Cited

U.S. PATENT DOCUMENTS

D. 250,893 1/1979 Ozawa D16/239
D. 255,689 7/1980 Ap et al. D16/239
D. 265,831 8/1982 Schultes et al. D16/239

1 Claim, 2 Drawing Sheets

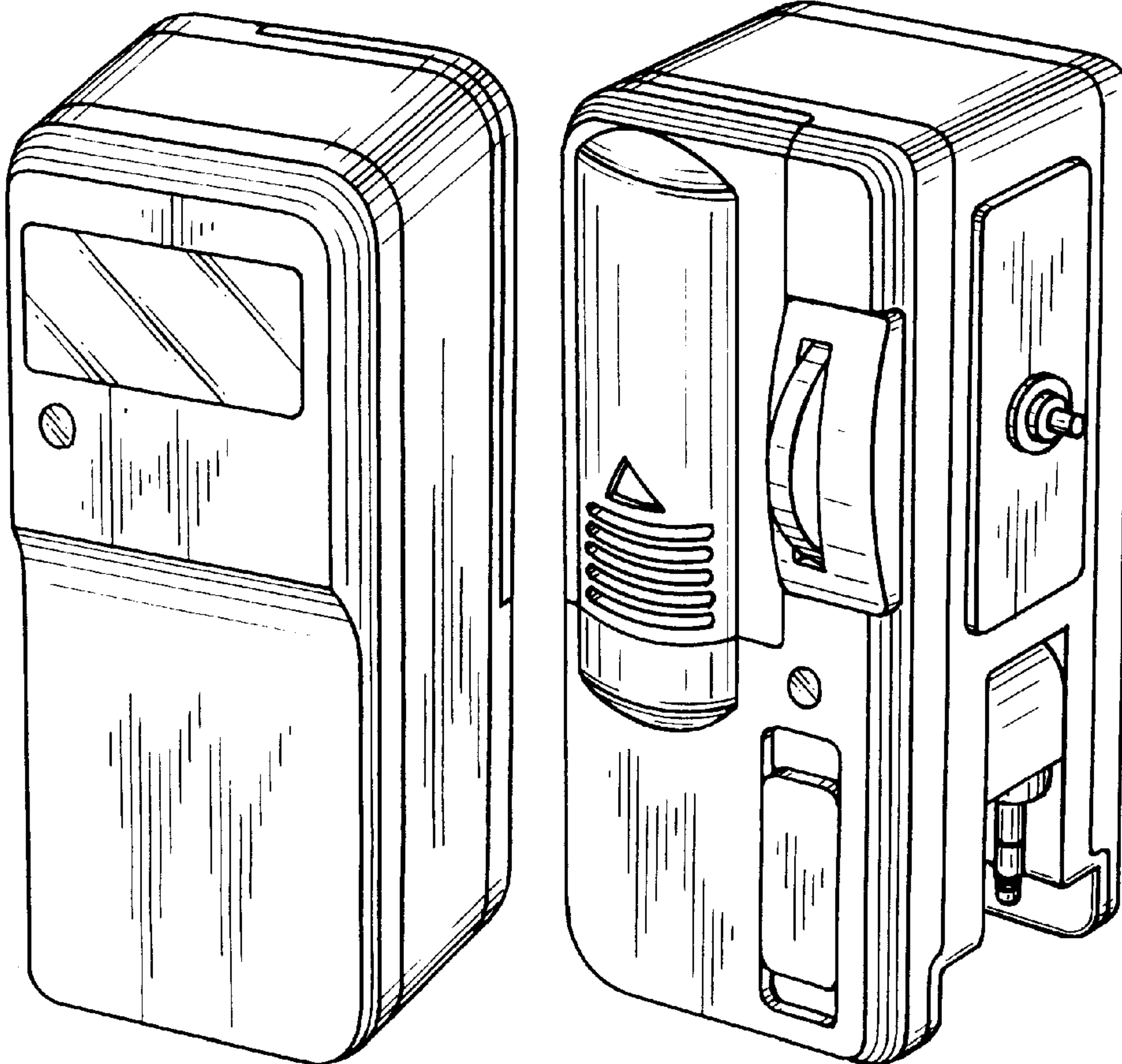


FIG. 1

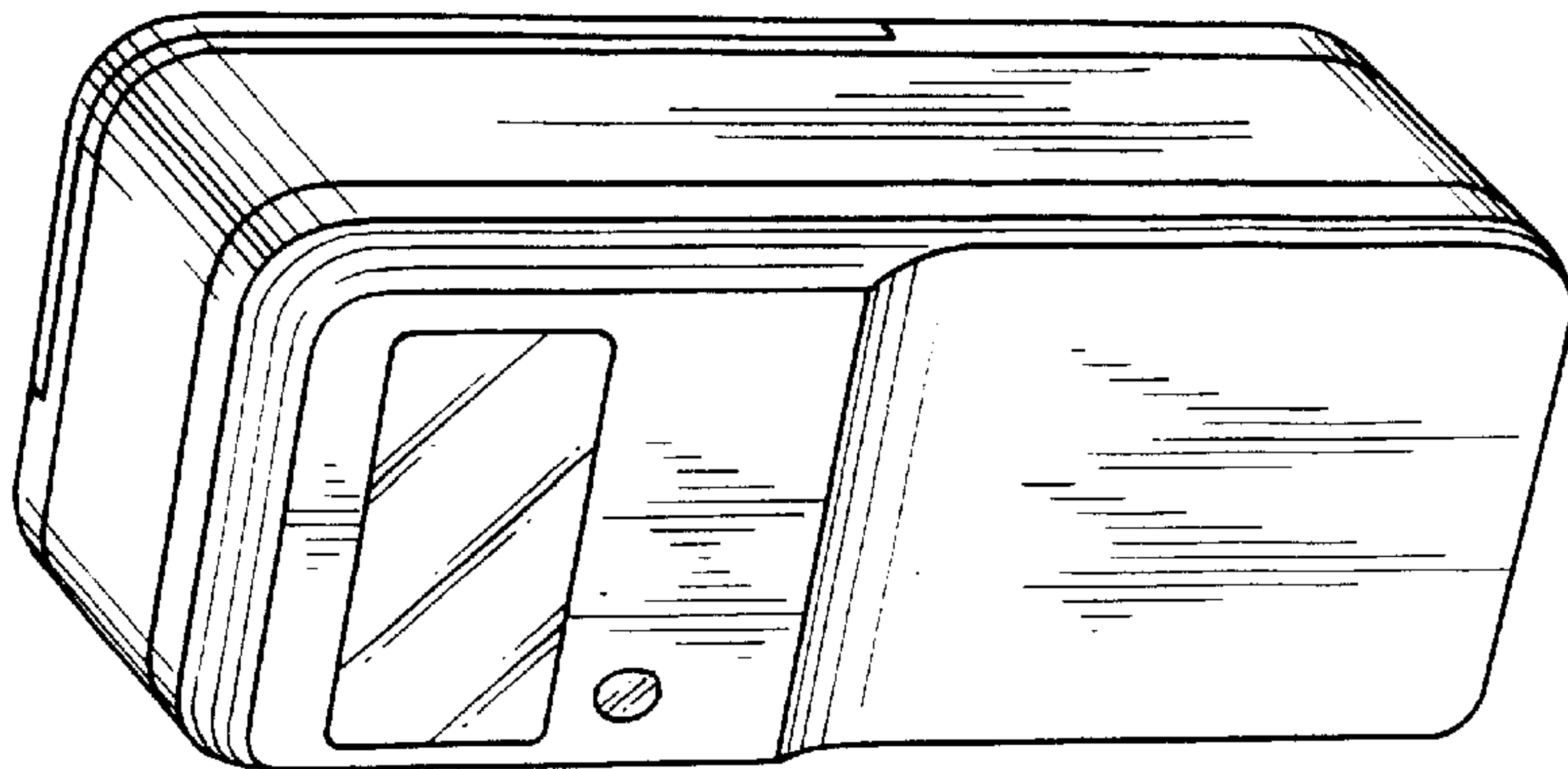


FIG. 2

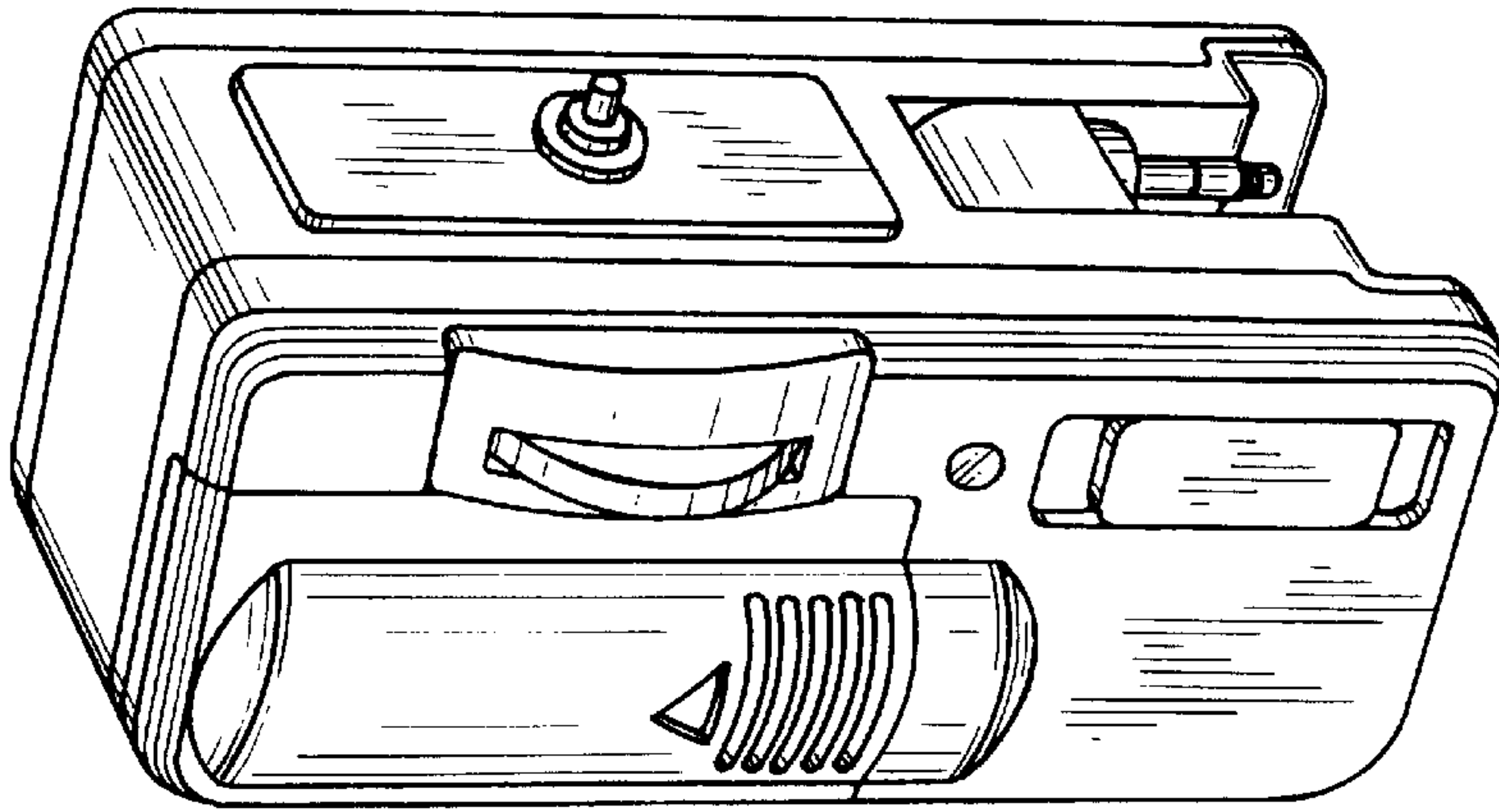


FIG. 3

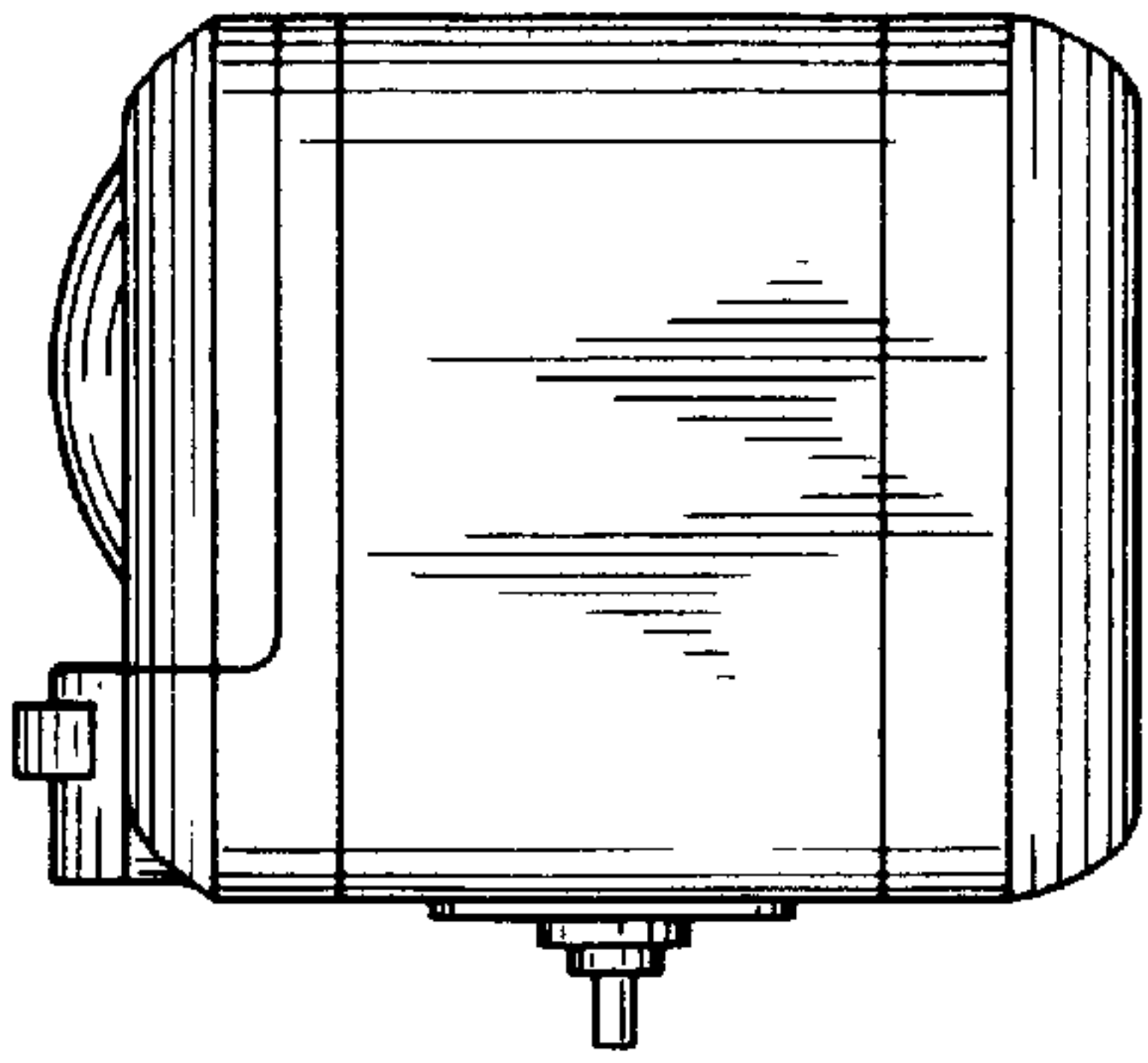


FIG. 4

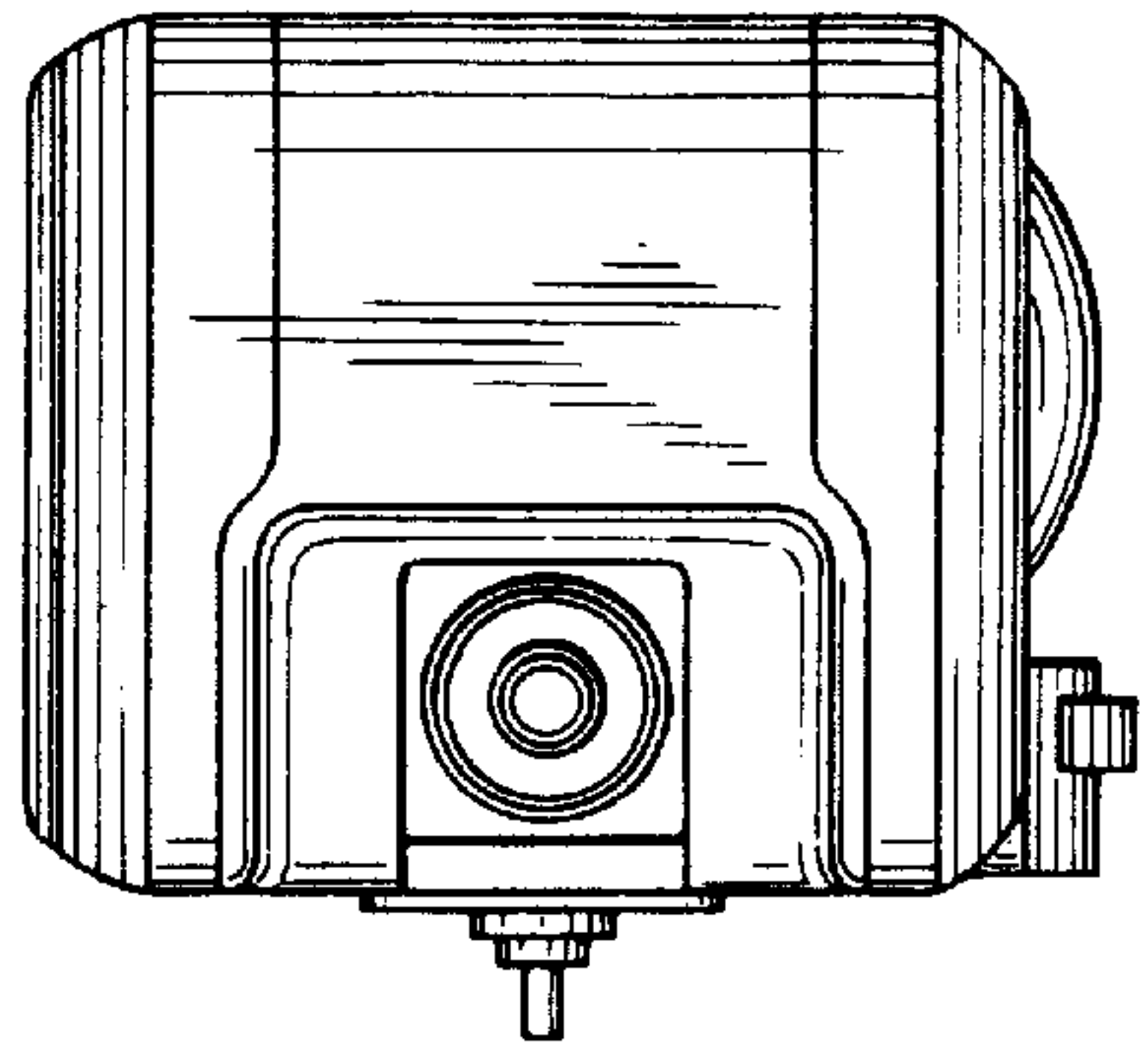


FIG. 8

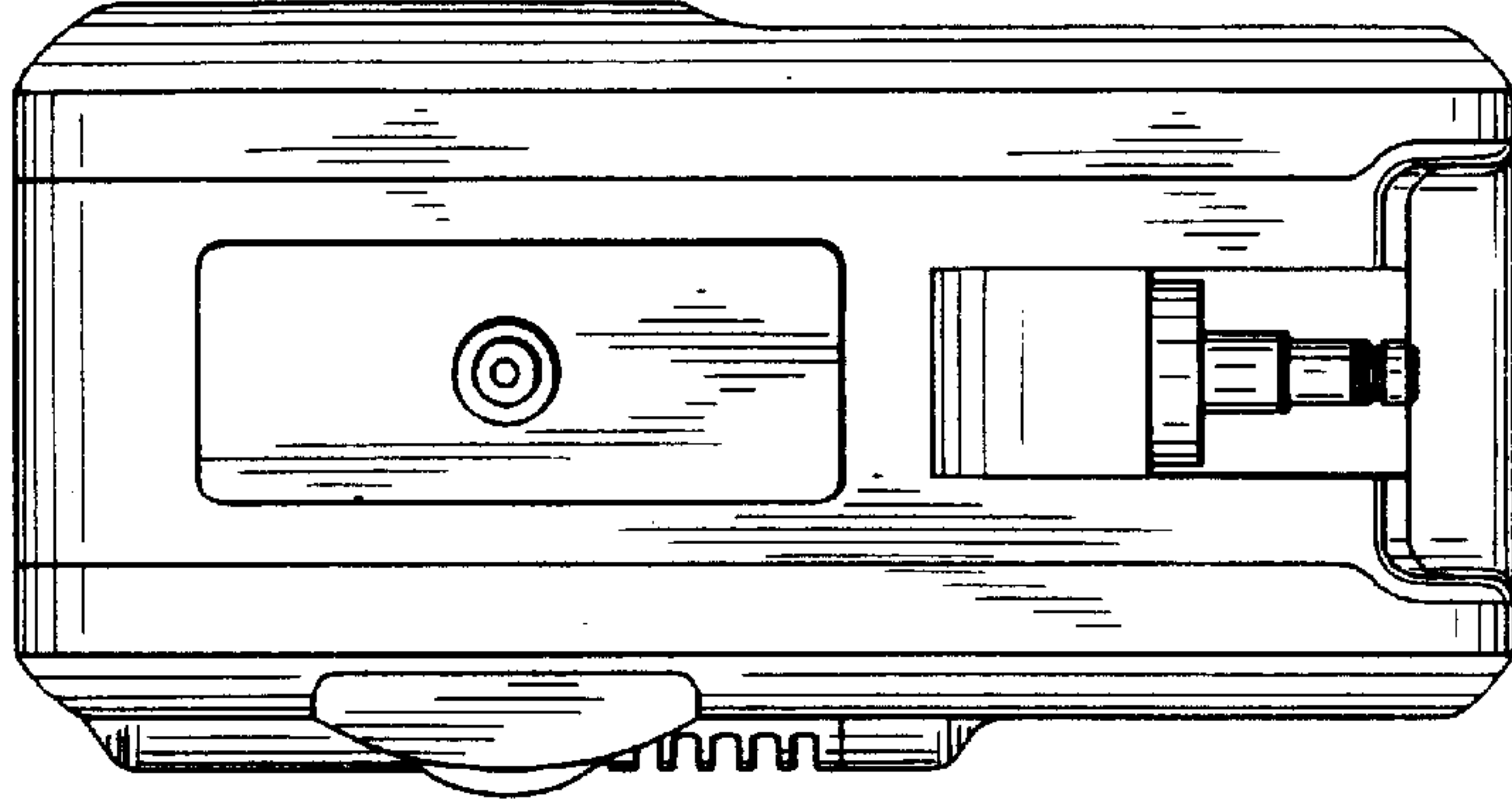


FIG. 7

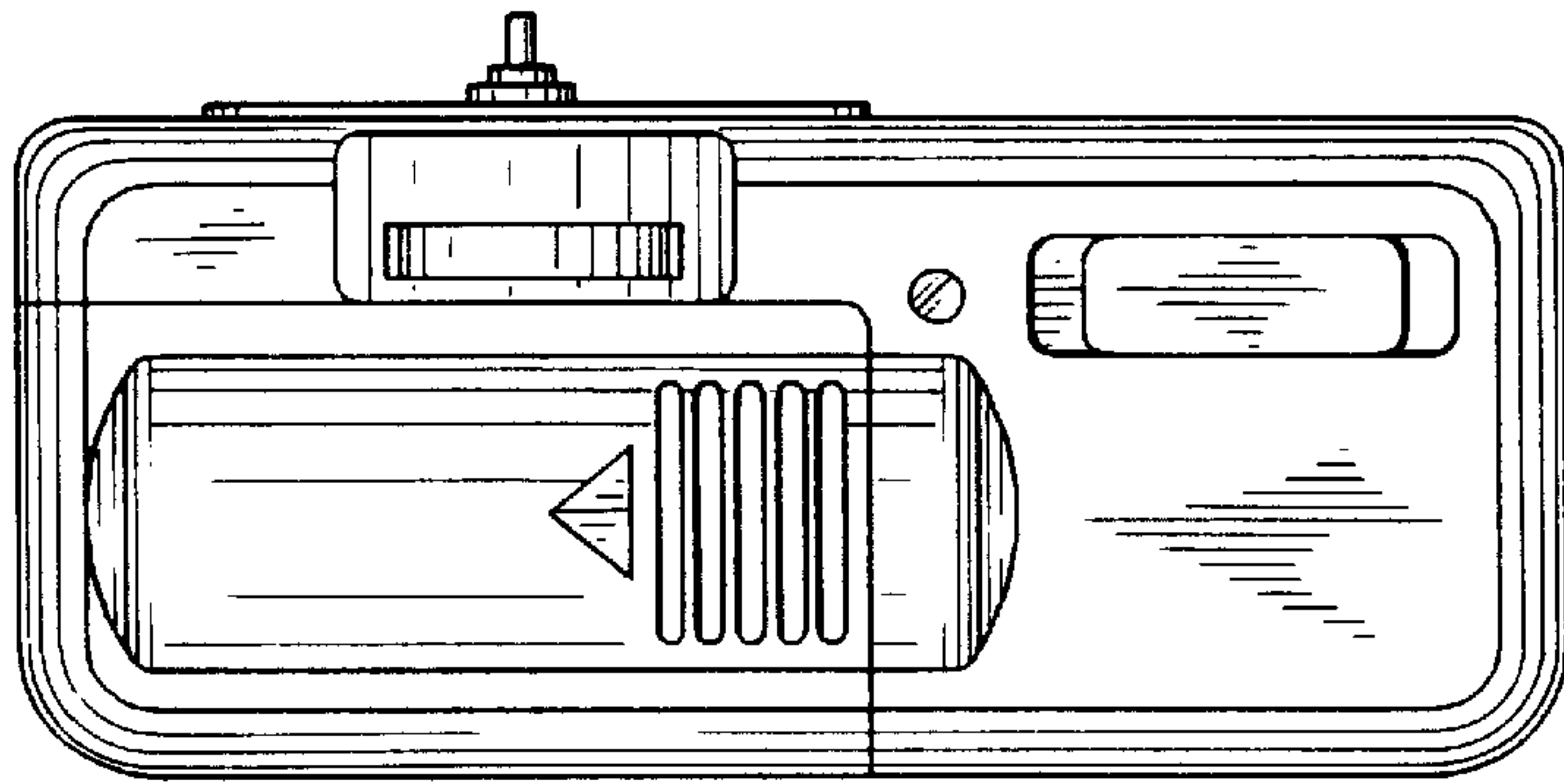


FIG. 6

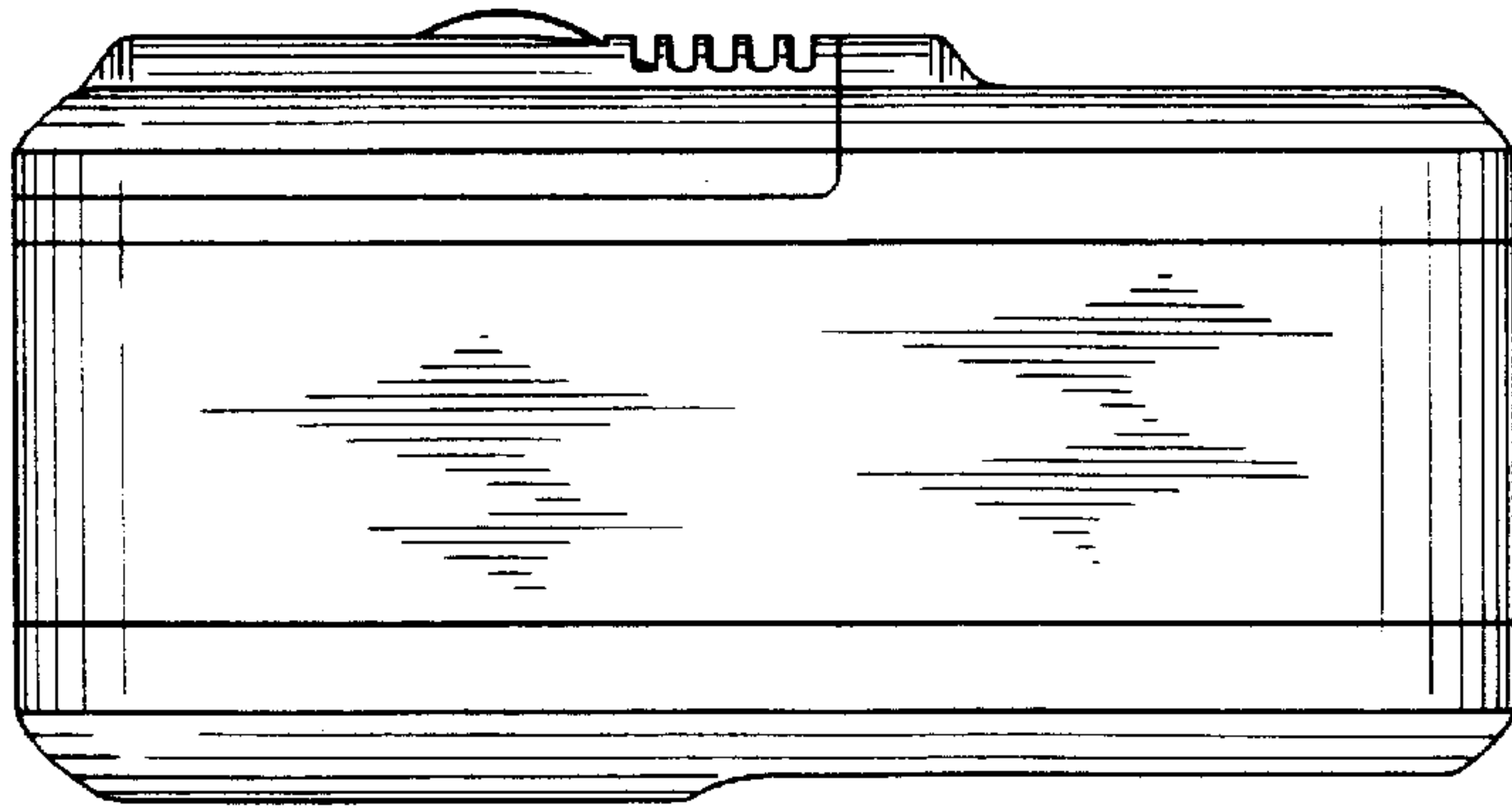


FIG. 5

