



US00D412337S

# United States Patent [19] Hamano

[11] **Patent Number: Des. 412,337**  
[45] **Date of Patent: \*\* Jul. 27, 1999**

[54] **CONTROLLER FOR A MONITOR CAMERA**

[75] Inventor: **Masataka Hamano**, Shizuoka, Japan

[73] Assignee: **Star Micronics Co., Ltd.**, Shizuoka, Japan

[\*\*] Term: **14 Years**

[21] Appl. No.: **29/092,842**

[22] Filed: **Aug. 27, 1998**

[30] **Foreign Application Priority Data**

Mar. 2, 1998 [JP] Japan ..... 10-5892

[51] **LOC (6) Cl.** ..... **16-05**

[52] **U.S. Cl.** ..... **D16/237; D13/164**

[58] **Field of Search** ..... D10/103; D13/164,  
D13/168; D16/203, 237, 238; D14/299;  
348/143; 396/57, 300, 427

[56] **References Cited**

**U.S. PATENT DOCUMENTS**

D. 273,581 4/1984 Rosenbaum et al. .... D13/164  
D. 276,507 11/1984 Nocon ..... D16/237

D. 306,998 4/1990 Mintz et al. .... D13/164  
D. 352,025 11/1994 Dellavecchia et al. .... D13/164  
5,430,511 7/1995 Paff et al. .... 396/427

**FOREIGN PATENT DOCUMENTS**

904925 5/1994 Japan .

*Primary Examiner*—Adir Aronovich  
*Attorney, Agent, or Firm*—Sughrue, Mion, Zinn, Macpeak & Seas, PLLC

[57] **CLAIM**

The ornamental design for a controller for a monitor camera, as shown.

**DESCRIPTION**

FIG. 1 is a perspective view of the top, front and left side of a controller for a monitor camera showing my new design; FIG. 2 is a front elevational view thereof; FIG. 3 is a top plan view thereof; FIG. 4 is a left side elevational view thereof; FIG. 5 is a right side elevational view thereof; FIG. 6 is a rear elevational view thereof; and, FIG. 7 is a bottom plan view thereof.

**1 Claim, 4 Drawing Sheets**

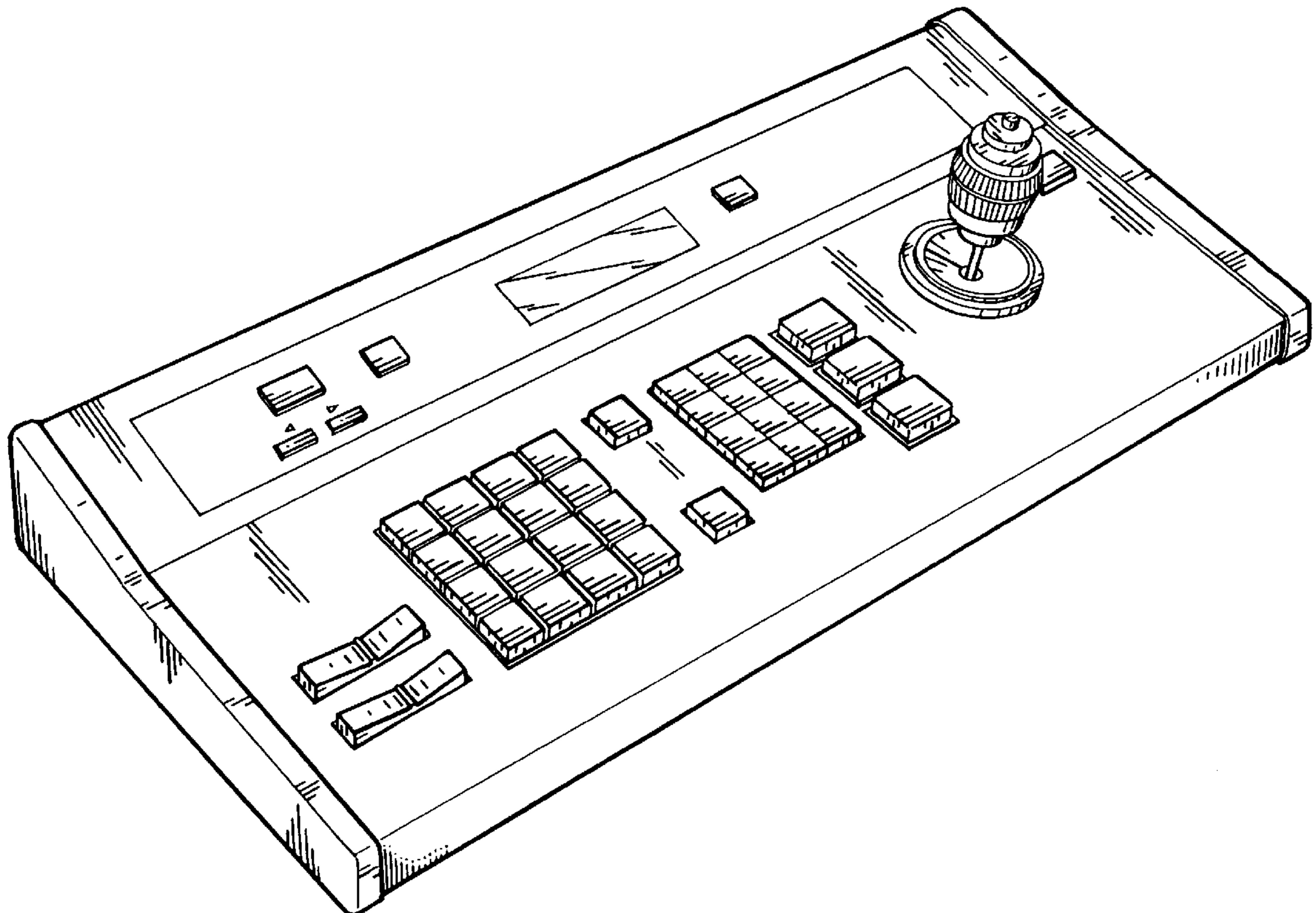
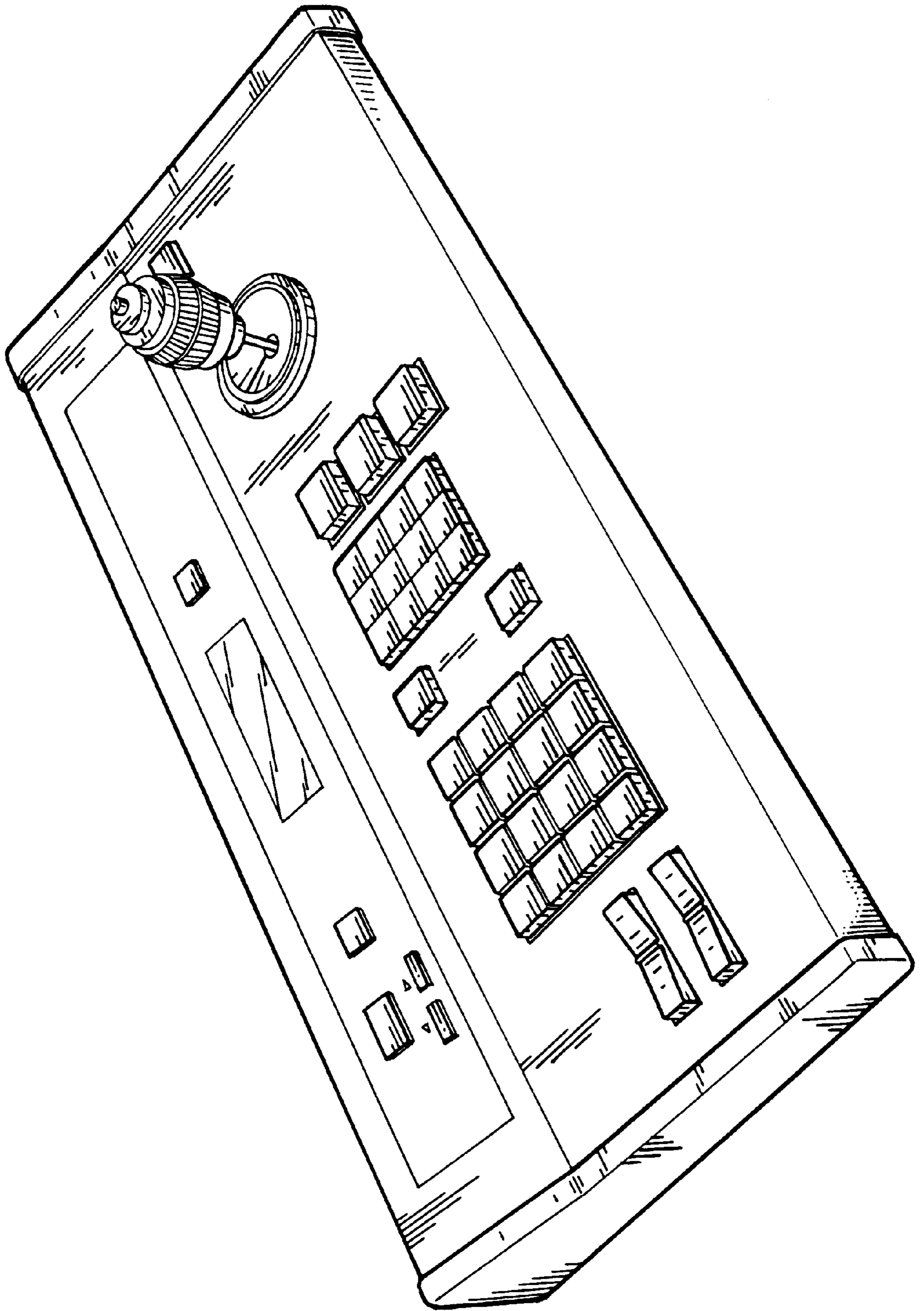


FIG. 1



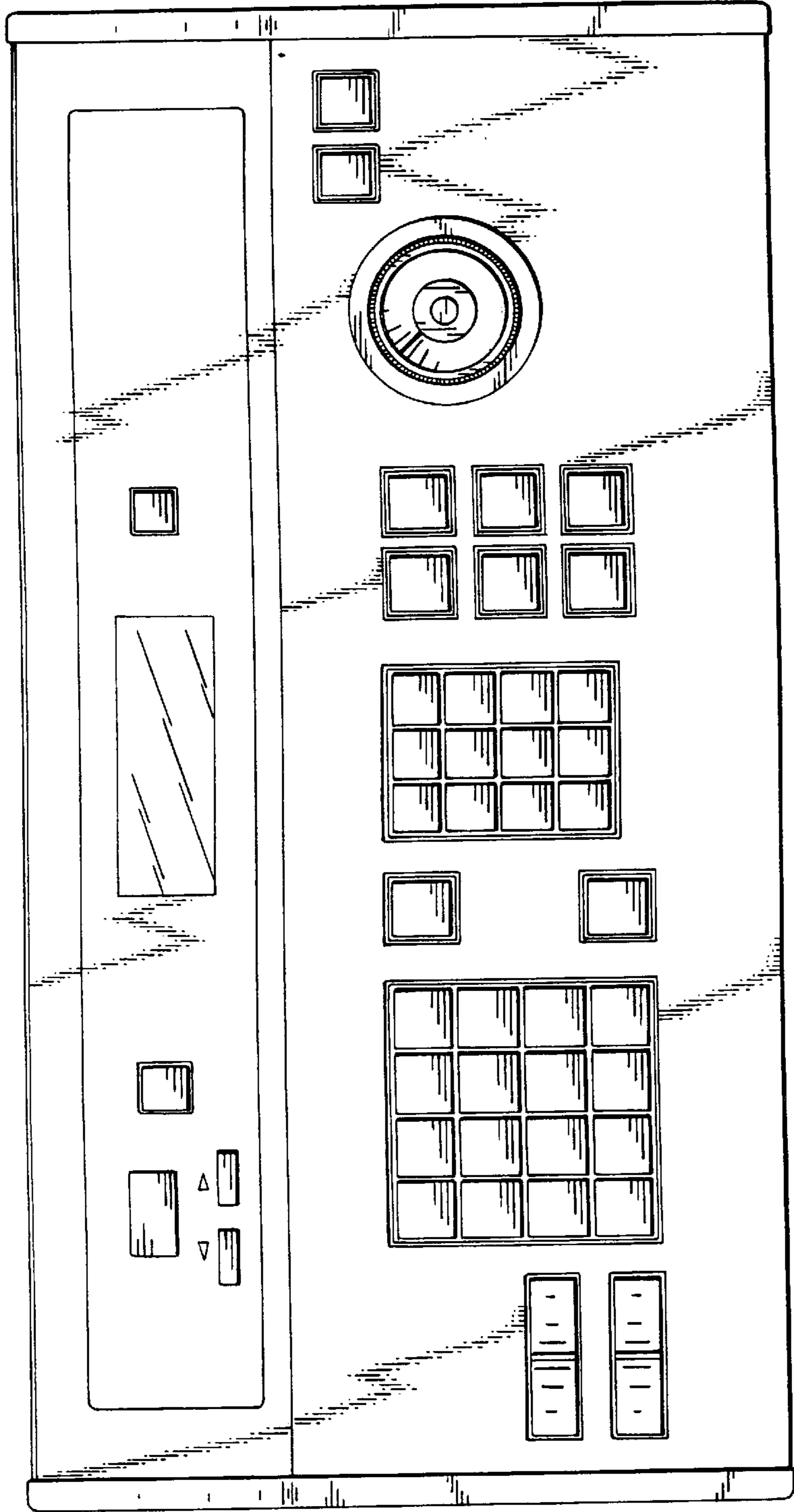


FIG. 3

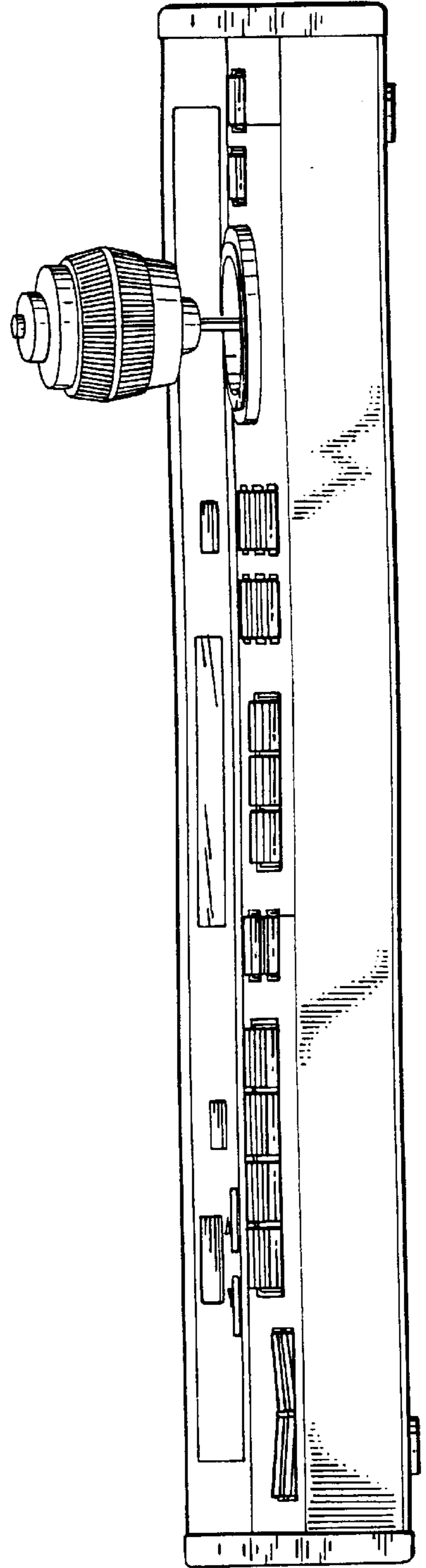


FIG. 2

FIG. 4

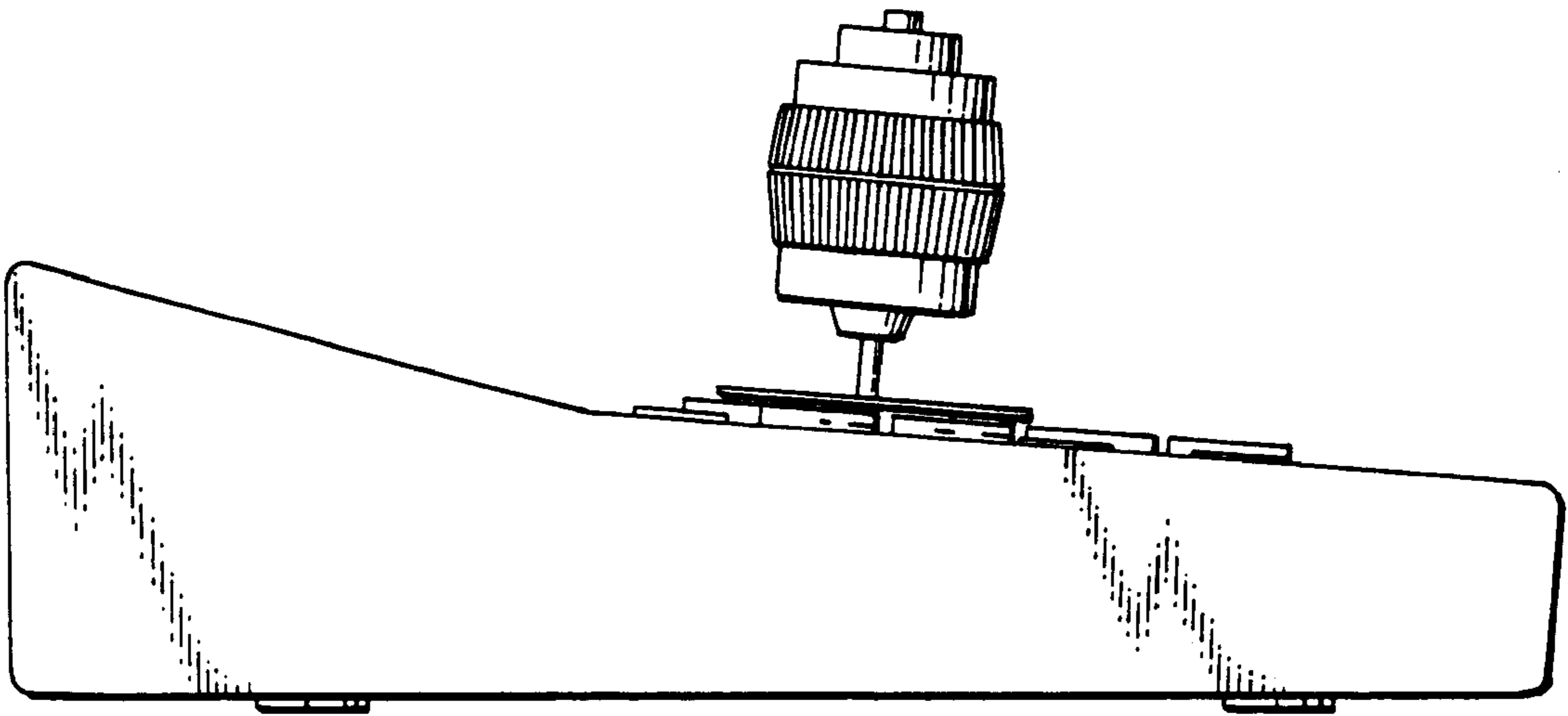
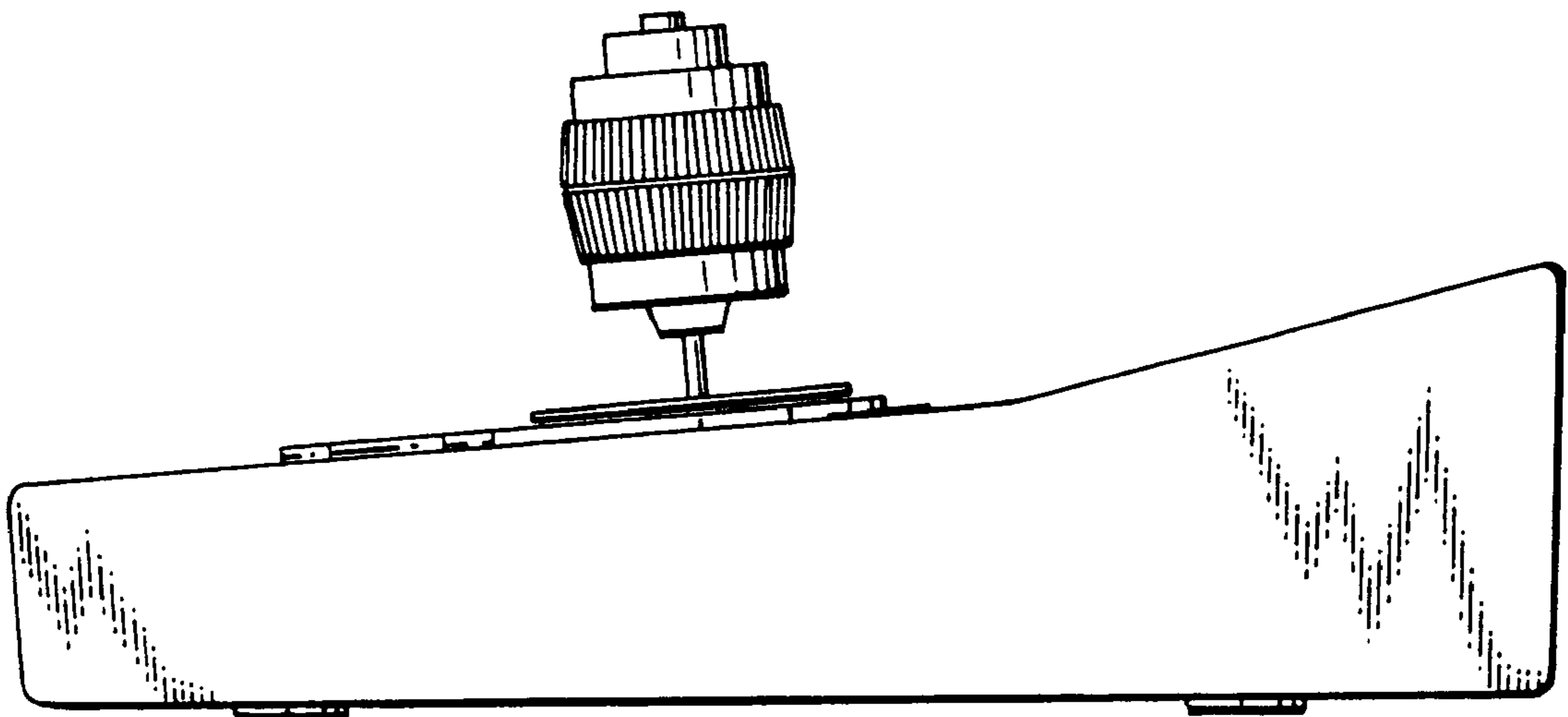


FIG. 5



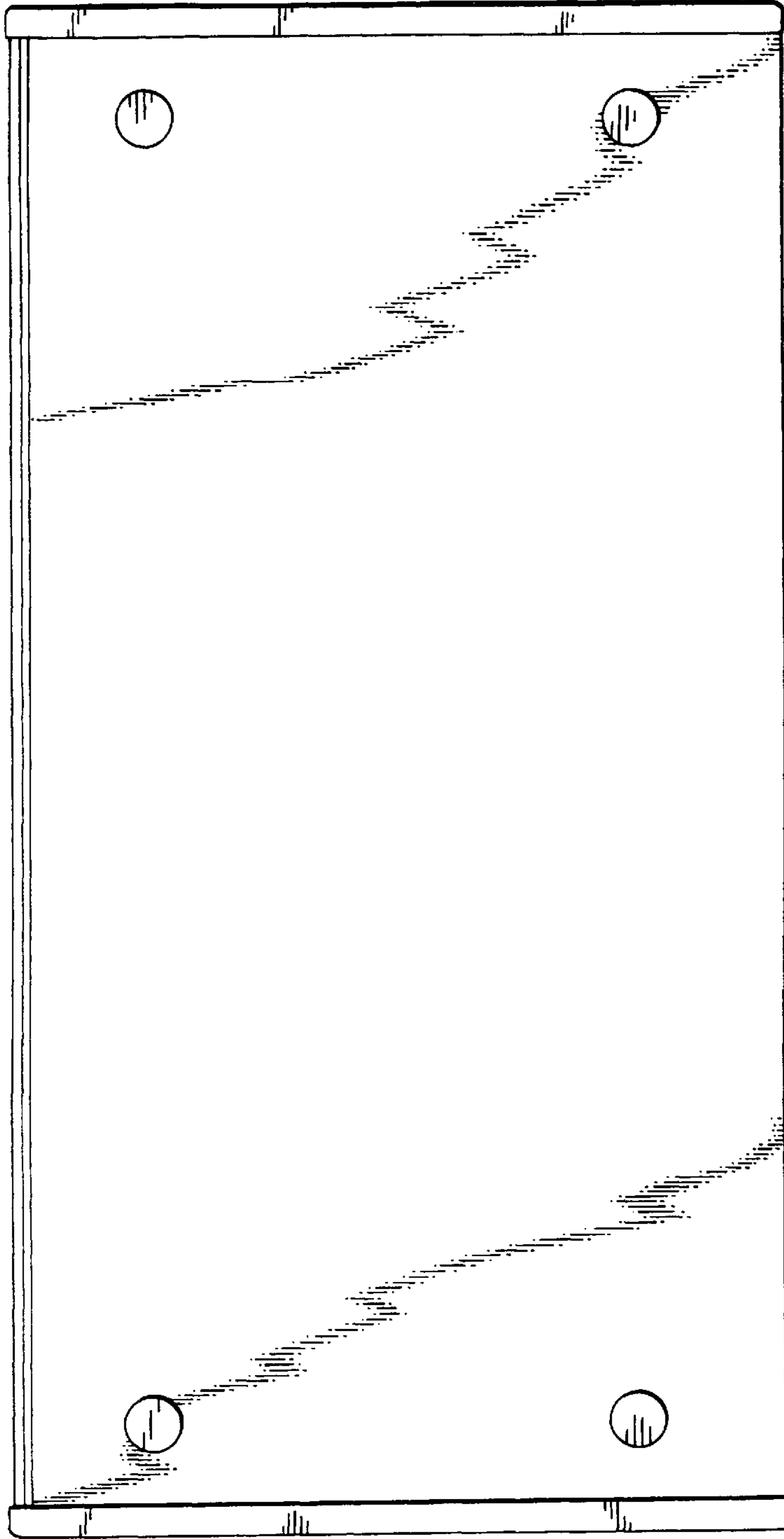


FIG. 7

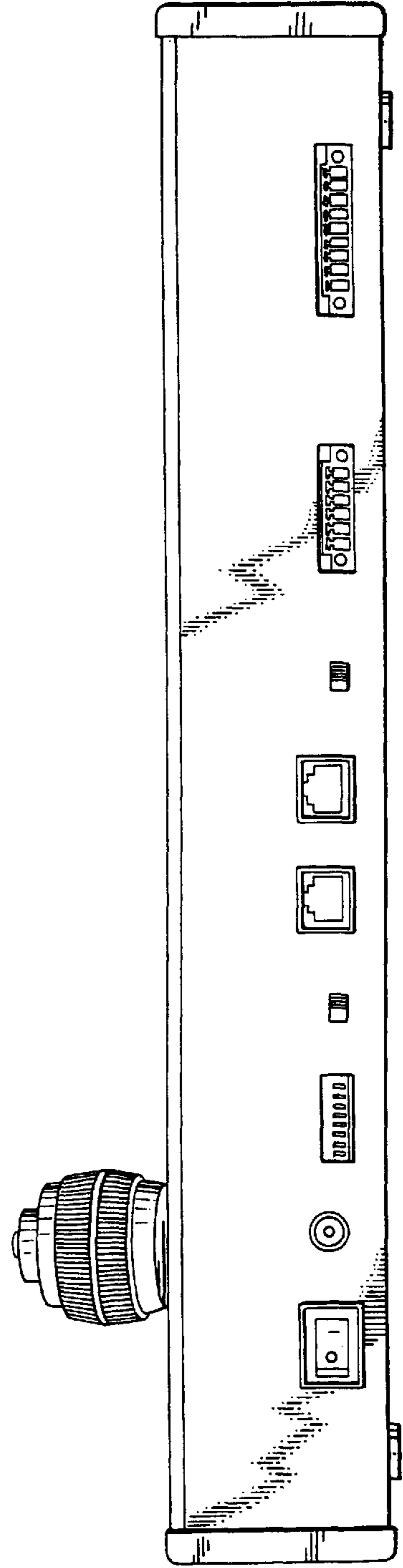


FIG. 6