



US00D412334S

United States Patent [19]
DiSabatino et al.

[11] **Patent Number: Des. 412,334**
[45] **Date of Patent: ** Jul. 27, 1999**

[54] **DISC SAW FELLING HEAD**

Primary Examiner—Antoine Duval Davis
Attorney, Agent, or Firm—Quarles & Brady

[75] Inventors: **Benjamin DiSabatino**, Brantford; **Eric J. Hartsell**; **Maurice Micacchi**, both of Woodstock, all of Canada

[57] **CLAIM**

[73] Assignee: **Timberjack Inc.**, Ontario, Canada

The ornamental design for a disc saw felling head, as shown and described.

[**] Term: **14 Years**

DESCRIPTION

[21] Appl. No.: **29/088,450**

FIG. 1 is a perspective view of a disc saw felling head showing my new design;

[22] Filed: **May 22, 1998**

FIG. 2 is a front elevational view thereof;

[51] **LOC (6) Cl.** **15-09**

[52] **U.S. Cl.** **D15/133**

FIG. 3 is a top plan view thereof;

[58] **Field of Search** D15/133; 144/34.1, 144/4.1, 336; 83/840

FIG. 4 is a left side elevational view thereof;

[56] **References Cited**

U.S. PATENT DOCUMENTS

4,987,935 1/1991 Corcoran et al. 144/34.1
5,671,788 9/1997 Rewis 144/34.1

FIG. 5 is a right side elevational view thereof; and,

FIG. 6 is a rear elevational view thereof.

OTHER PUBLICATIONS

The broken line showing a saw disc is for illustrative purposes only and forms no part of the claimed design.

Applicant's Exhibit A—Page showing Timberjack Model D536 Feller Buncher.

Applicant's Exhibit B—Page showing Timberjack Model D566 Feller Buncher.

1 Claim, 5 Drawing Sheets

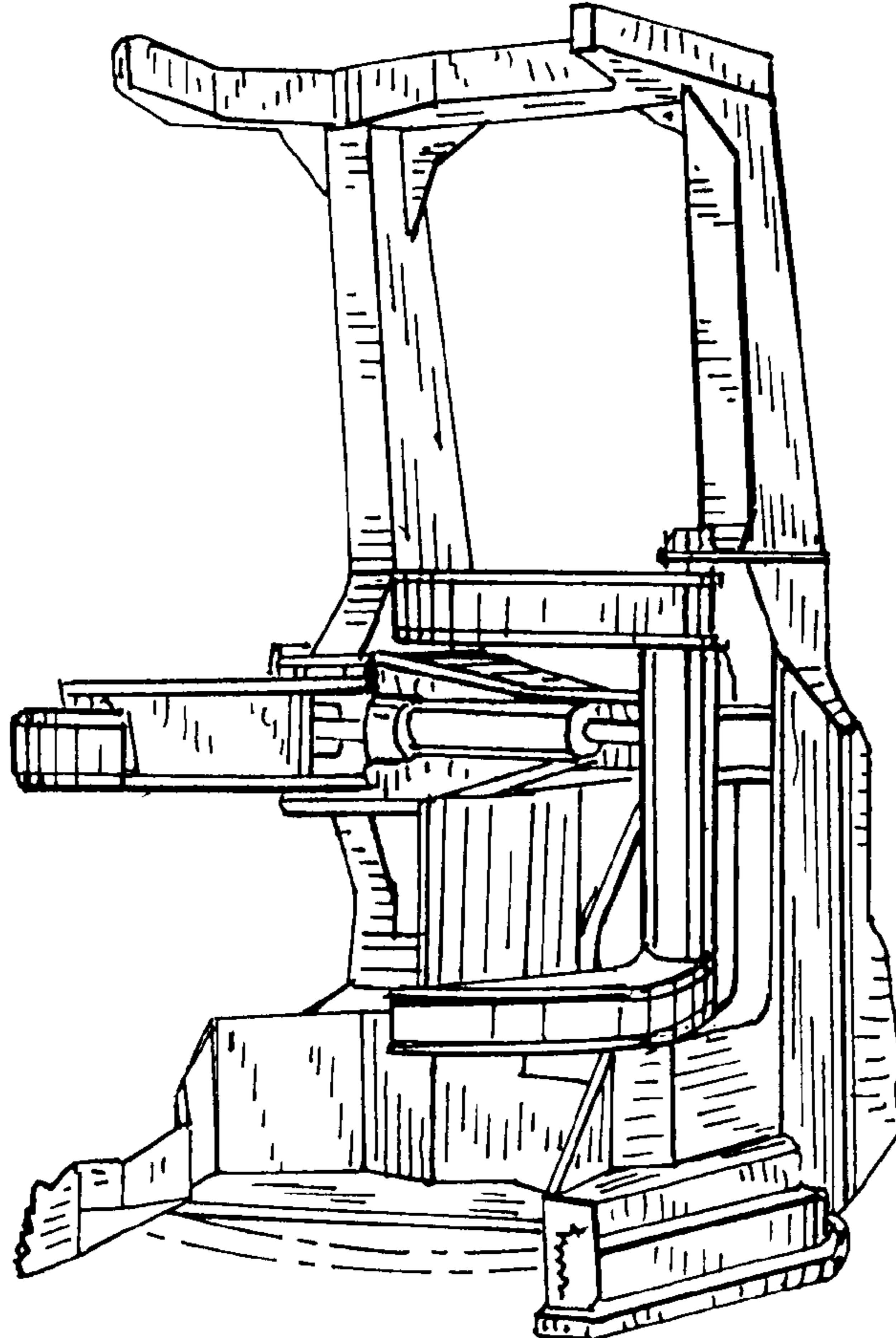


FIG. 1

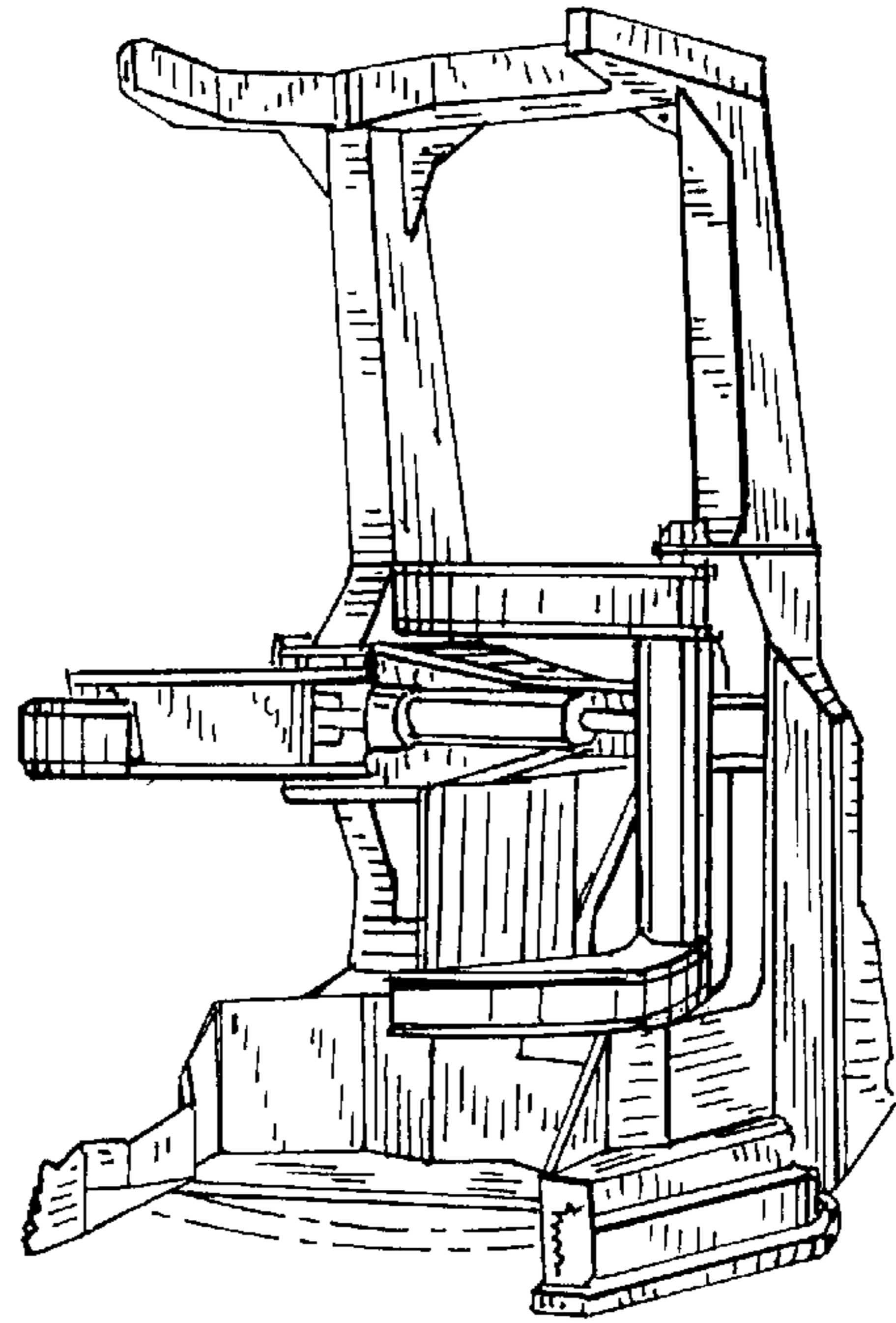


FIG. 3

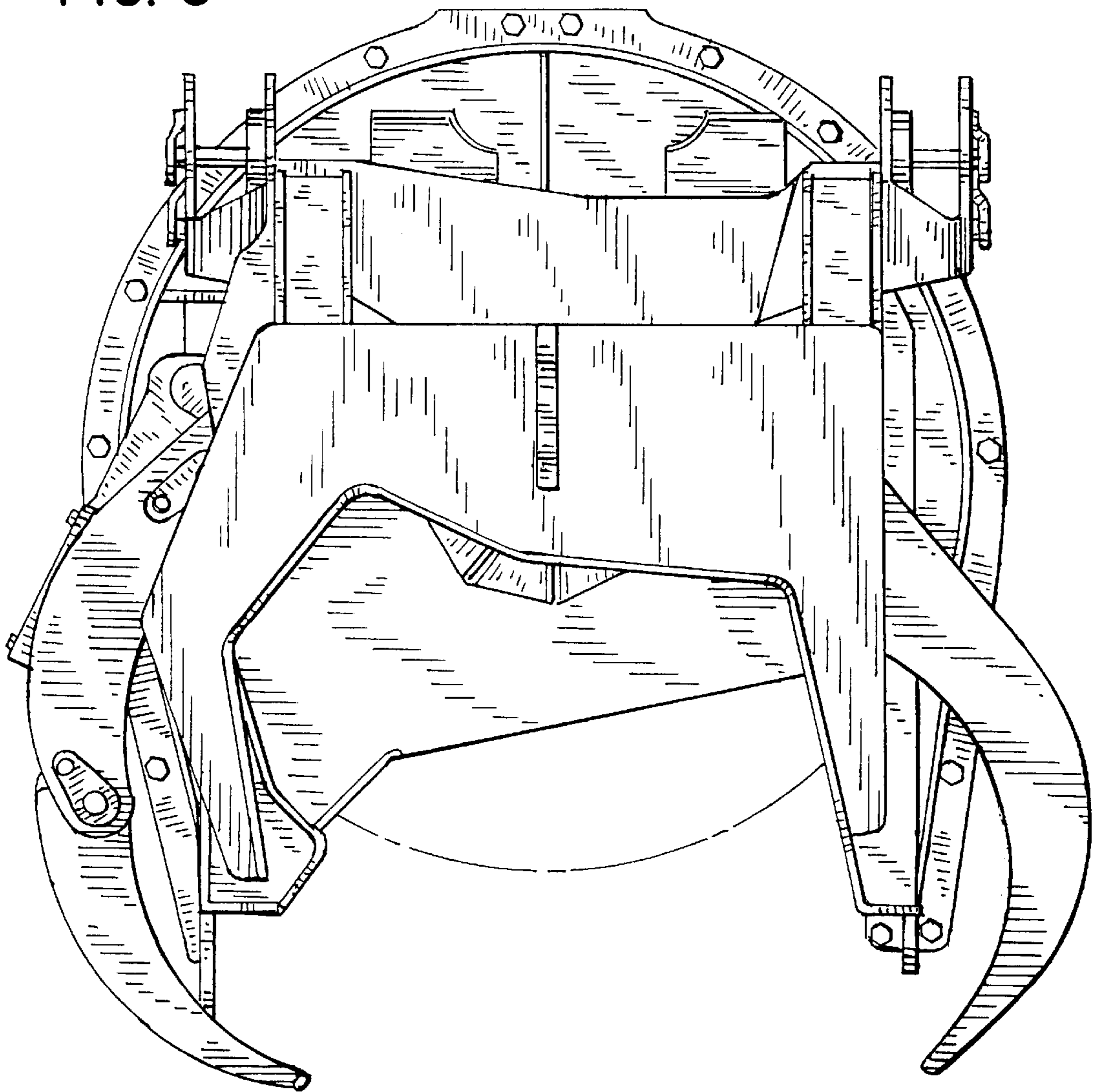


FIG. 2

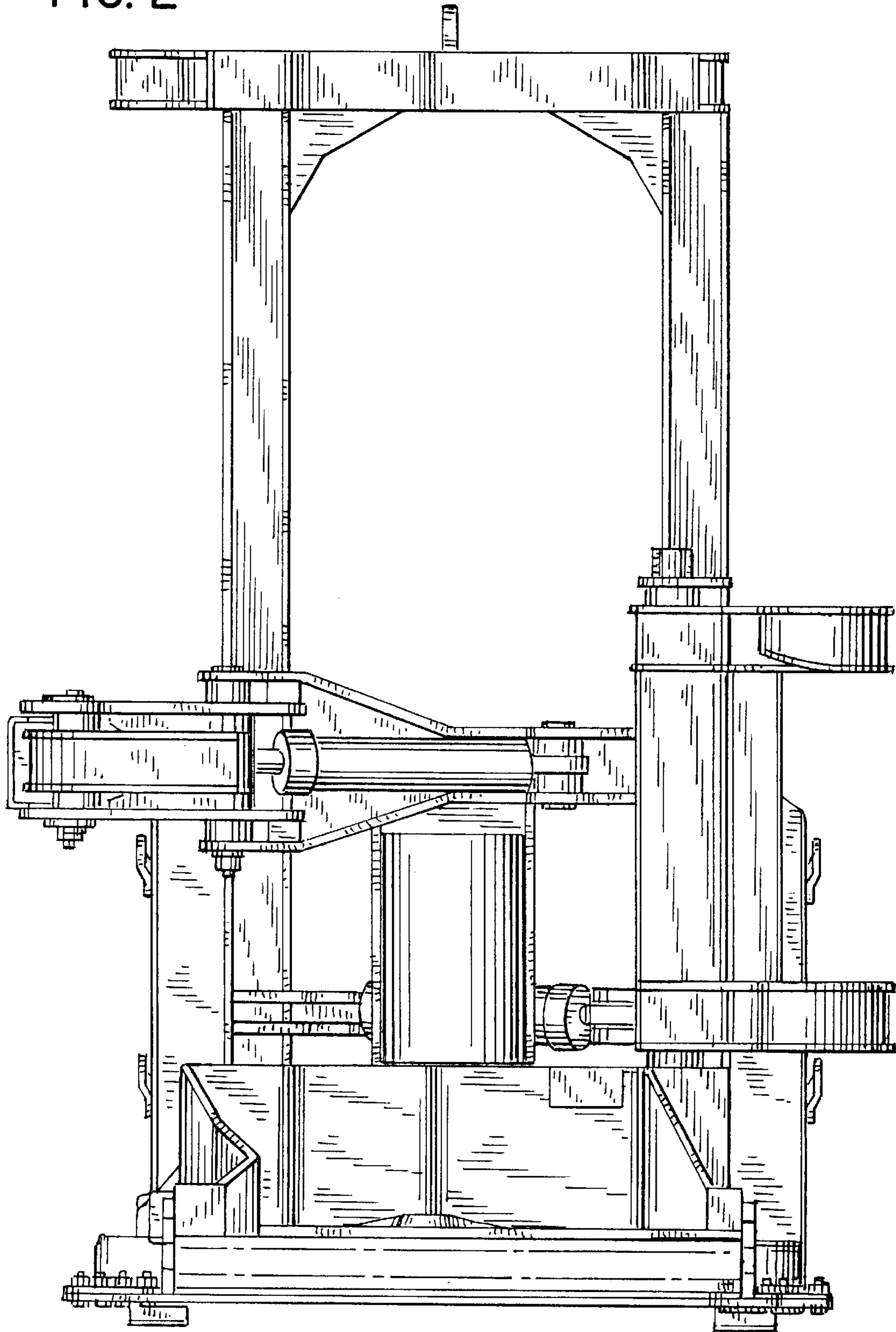


FIG. 4

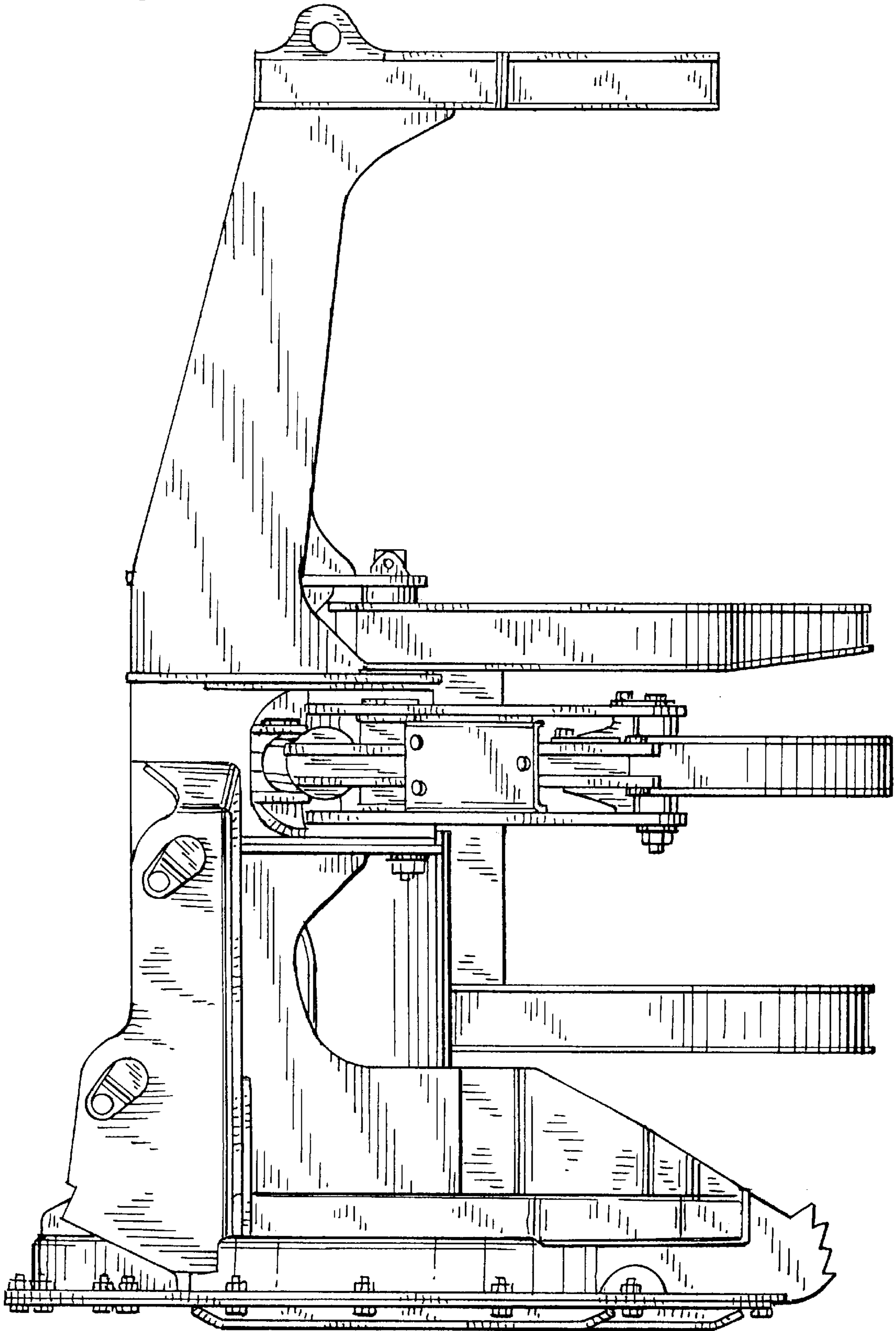


FIG. 5

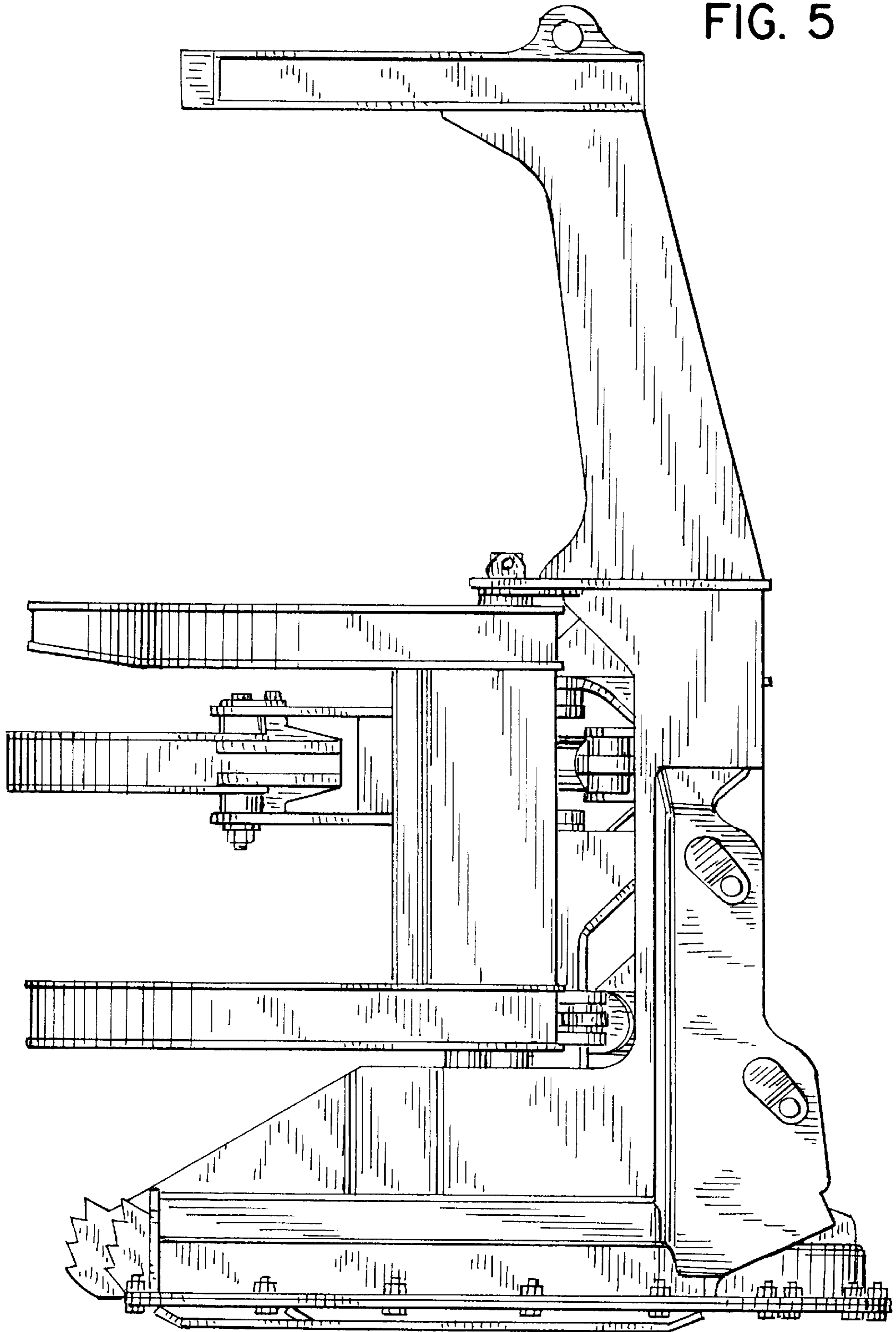


FIG. 6

