



US00D412333S

United States Patent [19] Stumpf et al.

[11] **Patent Number: Des. 412,333**
[45] **Date of Patent: ** Jul. 27, 1999**

[54] **SUPPORT ARM FOR A SLIDING COMPOUND MITER SAW**
[75] Inventors: **William R. Stumpf**, Kingsville, Md.;
Scott Price, Singapore, Singapore
[73] Assignee: **Black & Decker Inc.**, Newark, Del.
[**] Term: **14 Years**
[21] Appl. No.: **29/087,854**
[22] Filed: **May 11, 1998**

5,437,214 8/1995 Sasake et al. .

FOREIGN PATENT DOCUMENTS

0570903 A1 11/1993 European Pat. Off. .
0570904 A1 11/1993 European Pat. Off. .
0585841 A1 3/1994 European Pat. Off. .
3744716 C2 12/1990 Germany .

Primary Examiner—Antoine Duval Davis
Attorney, Agent, or Firm—Harness, Dickey & Pierce, P.L.C.

Related U.S. Application Data

[63] Continuation-in-part of application No. 29/072,687, Jun. 19, 1997, Pat. No. Des. 401,599.
[51] **LOC (6) Cl.** **15-09**
[52] **U.S. Cl.** **D15/133**
[58] **Field of Search** D15/133; 83/468.3,
83/471.1, 471.2, 471.3, 477, 581, 859,
776-783

[57] CLAIM

The ornamental design for a support arm for a sliding compound miter saw, as shown and described.

DESCRIPTION

FIG. 1 is a perspective view of the design for a support arm for a sliding compound miter saw according to the present invention;
FIG. 2 is a front elevational view thereof;
FIG. 3 is a left side elevational view thereof;
FIG. 4 is a right side elevational view thereof;
FIG. 5 is a rear elevational view thereof;
FIG. 6 is a top plan view thereof; and,
FIG. 7 is a bottom plan view thereof.

The broken line showing of the sliding compound miter saw is for illustrative purposes only and forms no part of the claimed design.

The ornamental design for a support arm for a sliding compound miter saw, as shown and described.

[56] References Cited

U.S. PATENT DOCUMENTS

D. 334,576 4/1993 Kawakami et al. D15/133
D. 351,393 10/1994 Sasaki et al. D15/133
D. 389,494 1/1998 Chen D15/133
4,869,142 9/1989 Sato et al. .
5,241,888 9/1993 Chen 83/471.3

1 Claim, 2 Drawing Sheets

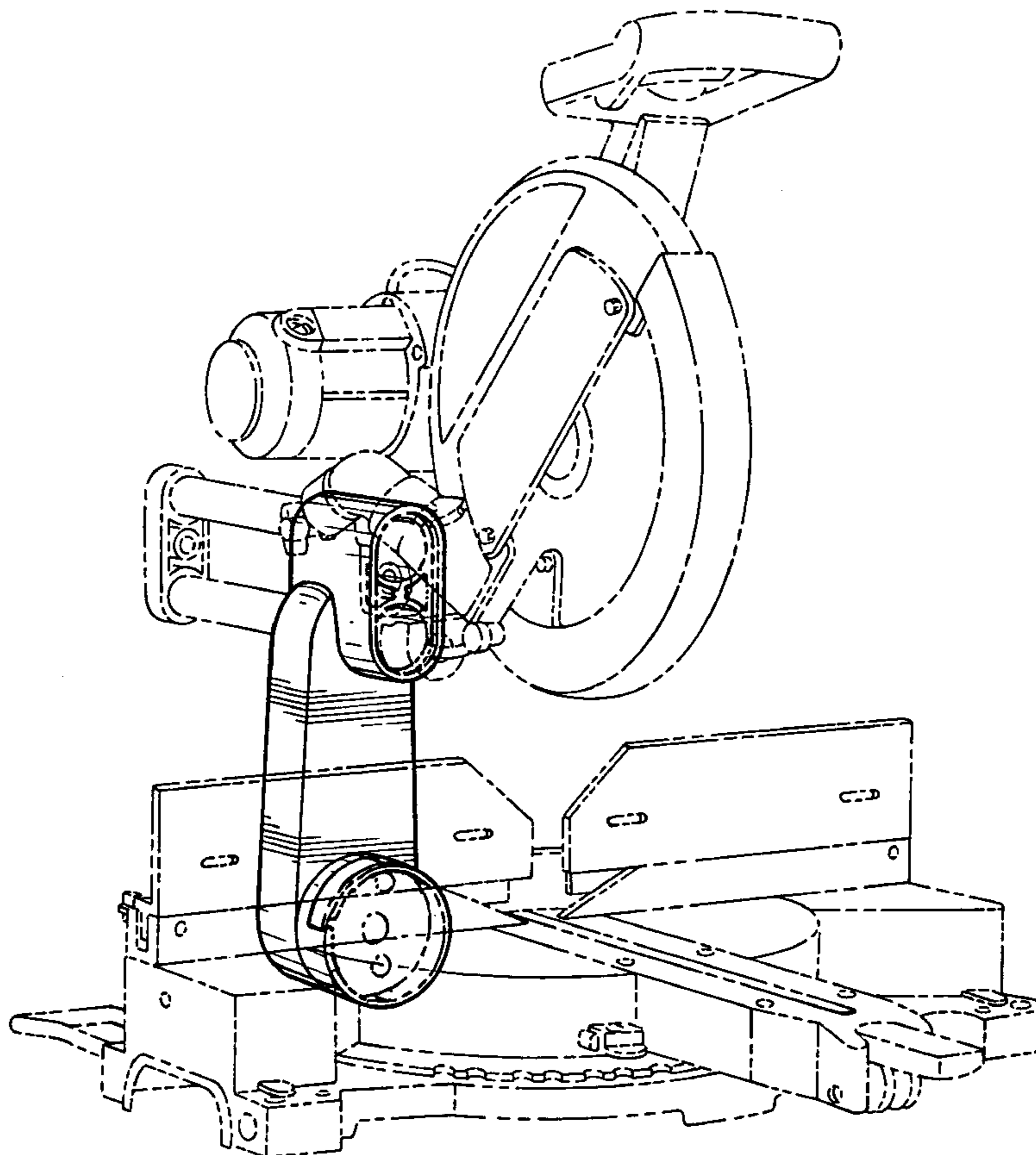
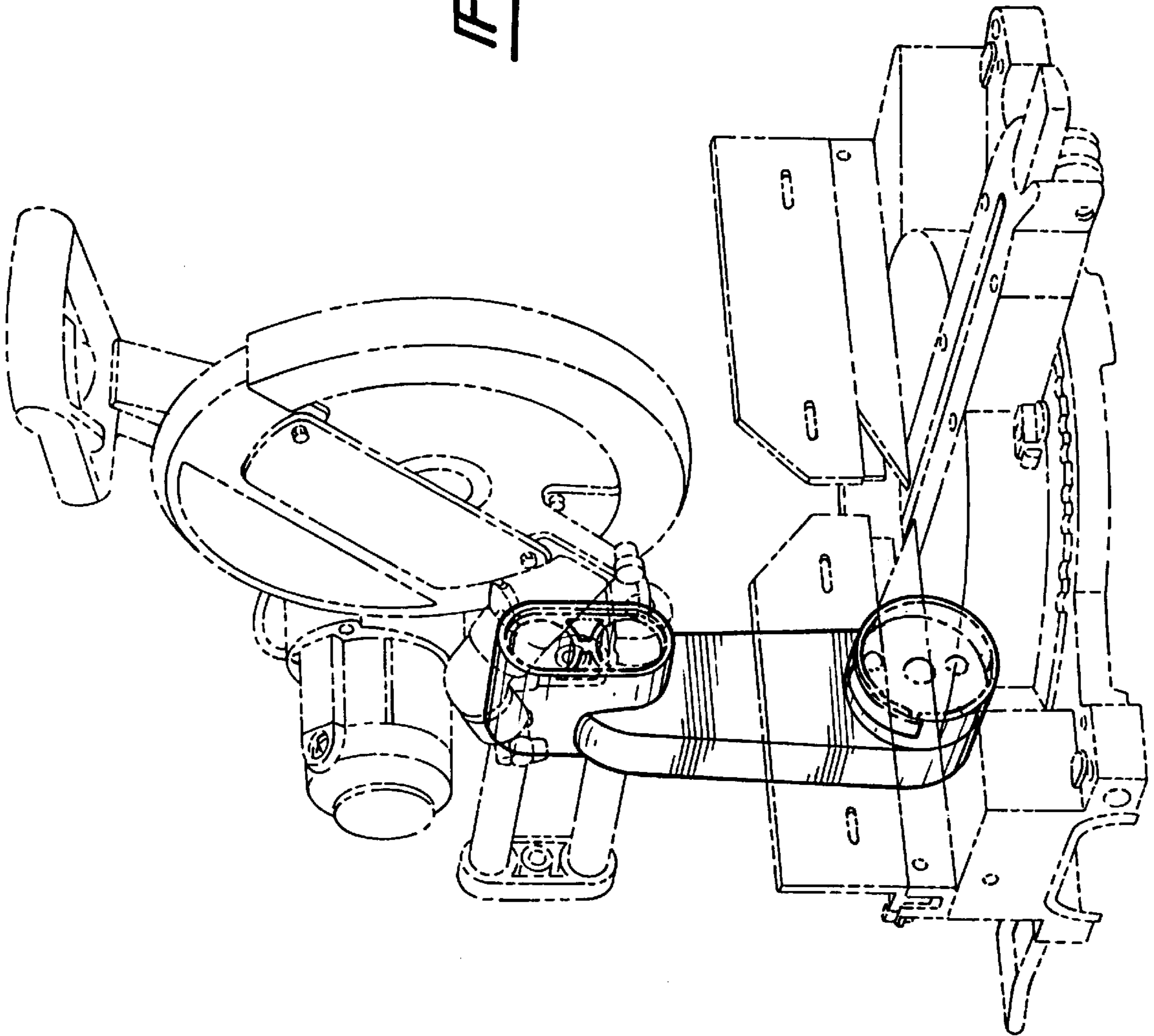


Fig-1



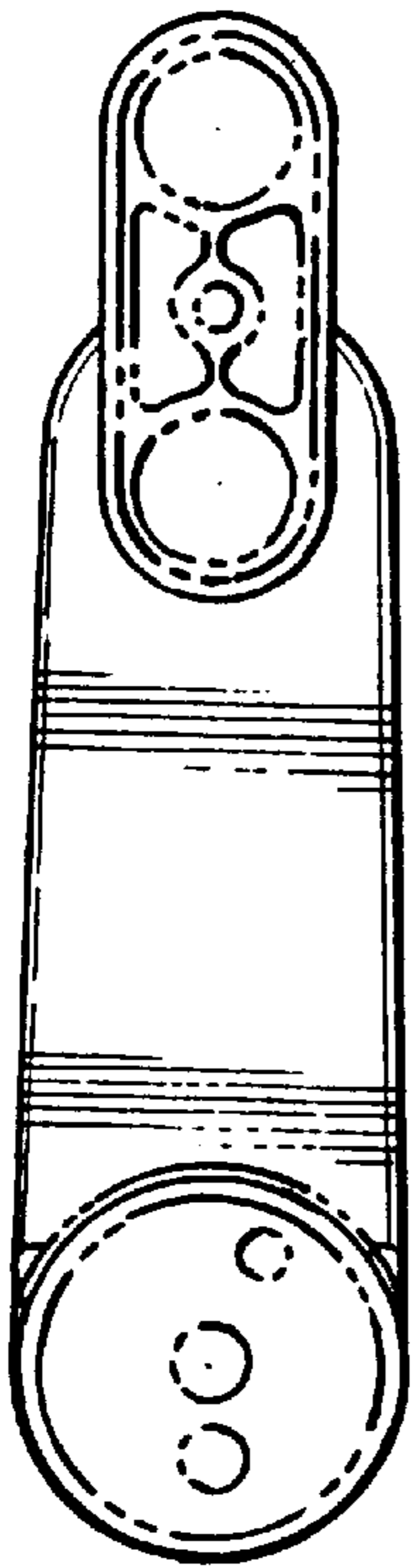


Fig-2

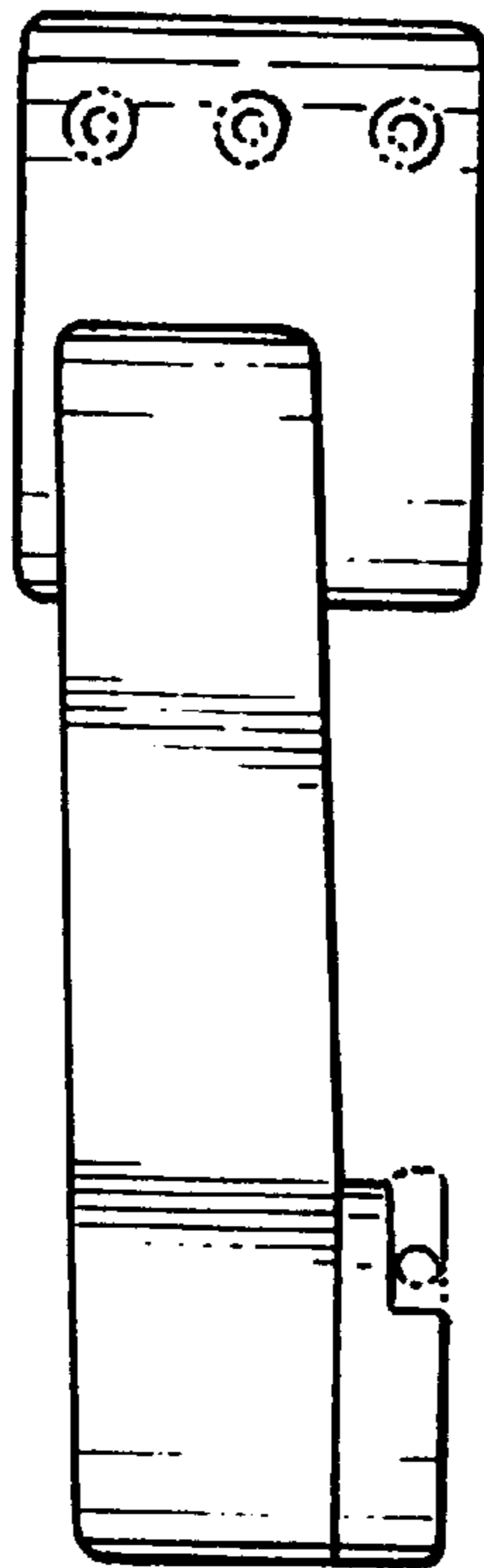


Fig-3

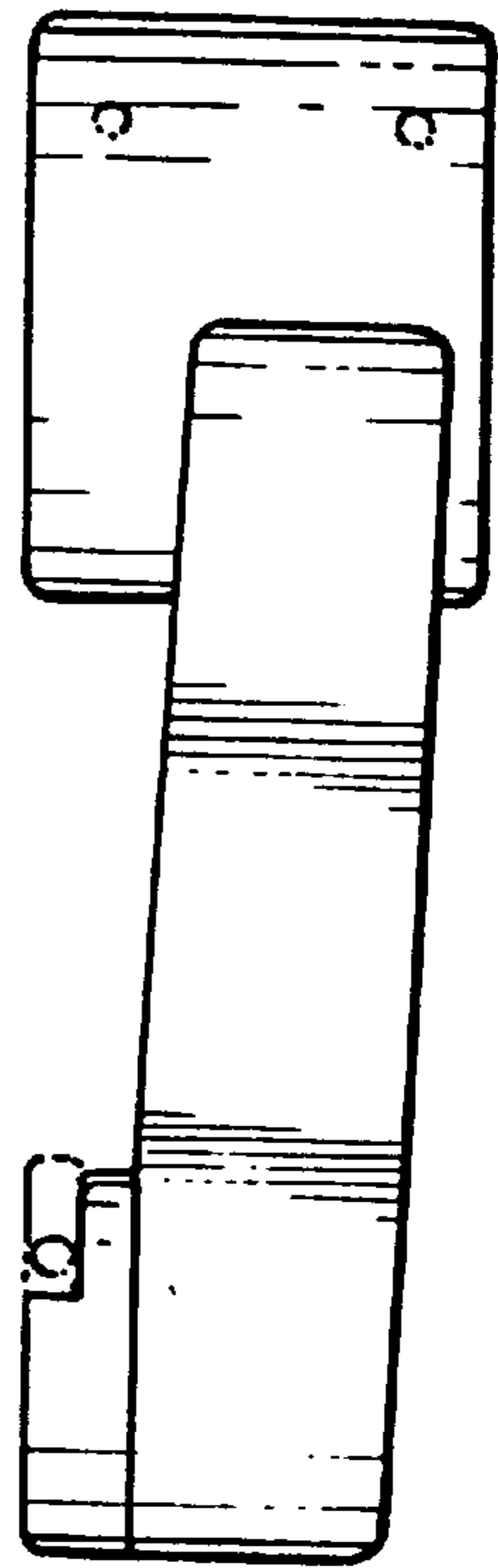


Fig-4

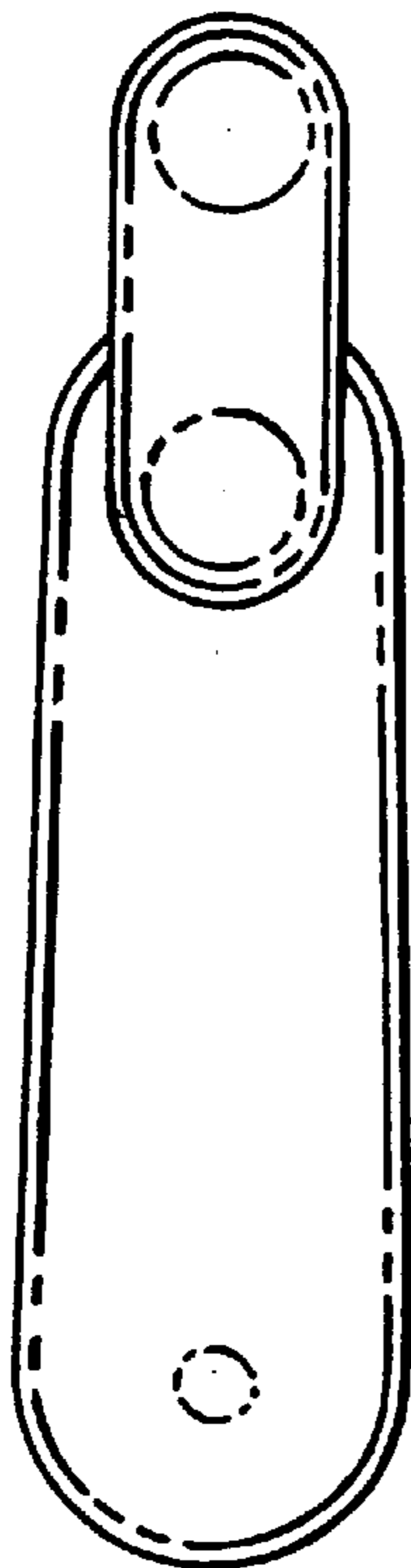


Fig-5

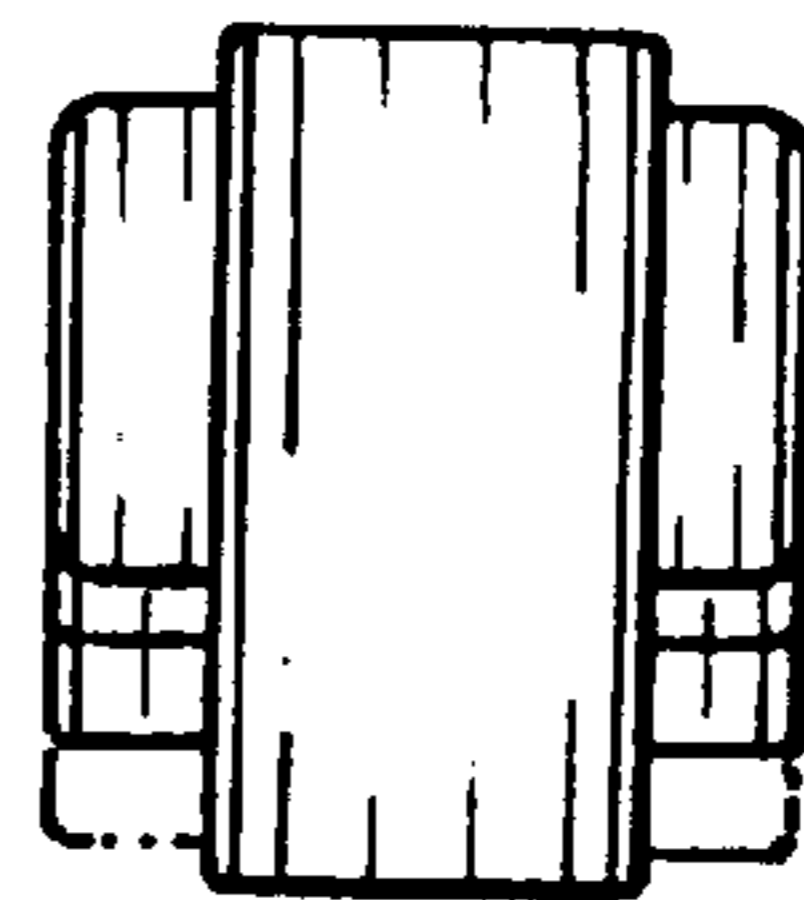


Fig-6

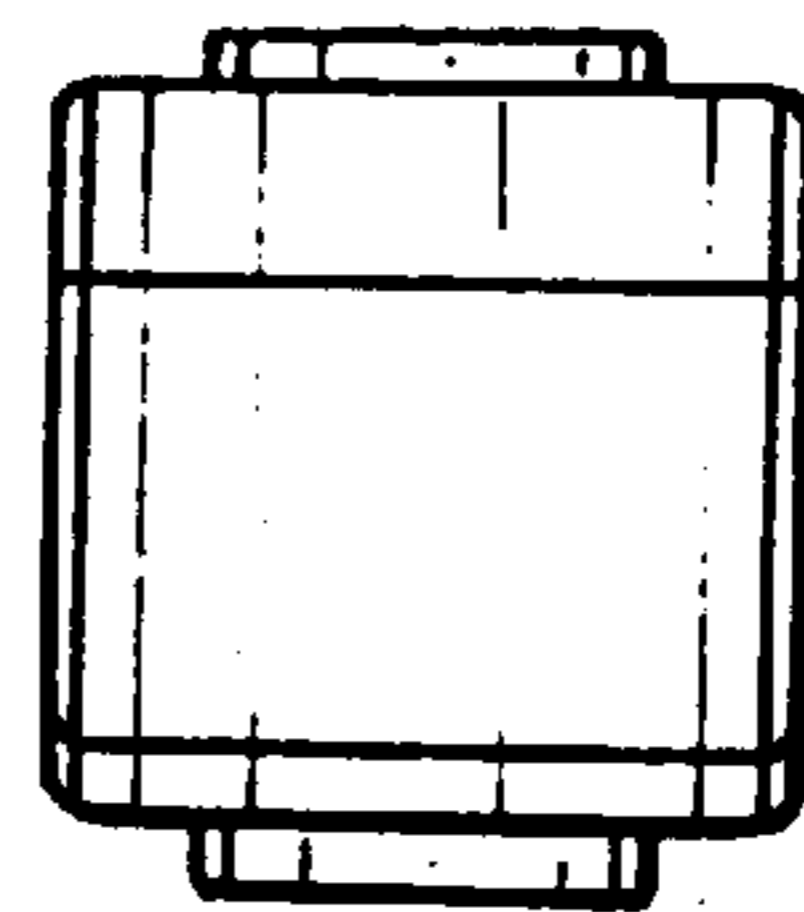


Fig-7