



US00D412332S

United States Patent [19]
Yuyama

[11] **Patent Number: Des. 412,332**

[45] **Date of Patent: ** Jul. 27, 1999**

[54] **CONTROLLER FOR DISC RECORDER**

[75] Inventor: **Yasuo Yuyama**, Tokyo, Japan

[73] Assignee: **Sony Corporation**, Tokyo, Japan

[**] Term: **14 Years**

[21] Appl. No.: **29/076,914**

[22] Filed: **Sep. 26, 1997**

[51] **LOC (6) Cl.** **14-01**

[52] **U.S. Cl.** **D14/156**

[58] **Field of Search** D14/135, 136,
D14/156, 157, 160, 257, 258; 369/75.1,
75.2, 77.1, 77.2

[56] **References Cited**

U.S. PATENT DOCUMENTS

D. 262,963	2/1982	Hiraki	D14/136
D. 263,829	4/1982	Honjo	D14/136
D. 270,633	9/1983	Shindo et al.	D14/136
D. 368,908	4/1996	Ikenga	D14/156
D. 377,648	1/1997	Young	D14/136

OTHER PUBLICATIONS

Sony Portable Digital Audio Catalog, MD Walkman, MZ-R4ST portion (Oct., 1996).

Primary Examiner—Ted Shooman
Assistant Examiner—Nanda Bondade
Attorney, Agent, or Firm—Foley & Lardner

[57] **CLAIM**

The ornamental design for a controller for a disc recorder, as shown and described.

DESCRIPTION

FIG. 1 is a perspective view of a controller for a disc recorder showing my new design; FIG. 2 is a top plan view thereof; FIG. 3 is a left side elevational view thereof; FIG. 4 is a front elevational view thereof; FIG. 5 is a bottom plan view thereof; FIG. 6 is a right side elevational view thereof; and, FIG. 7 is a rear elevational view thereof.

1 Claim, 3 Drawing Sheets

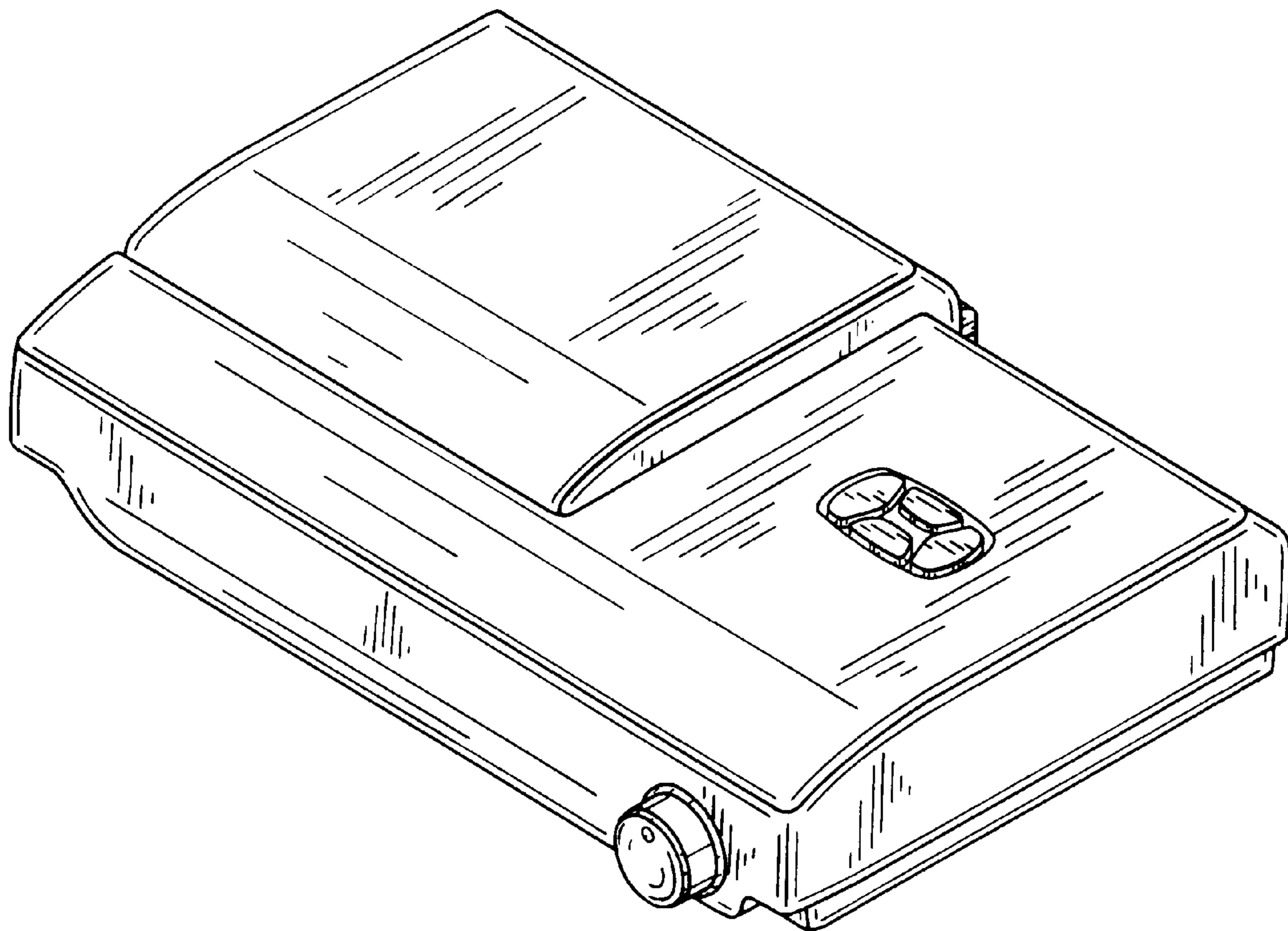


FIG. 1

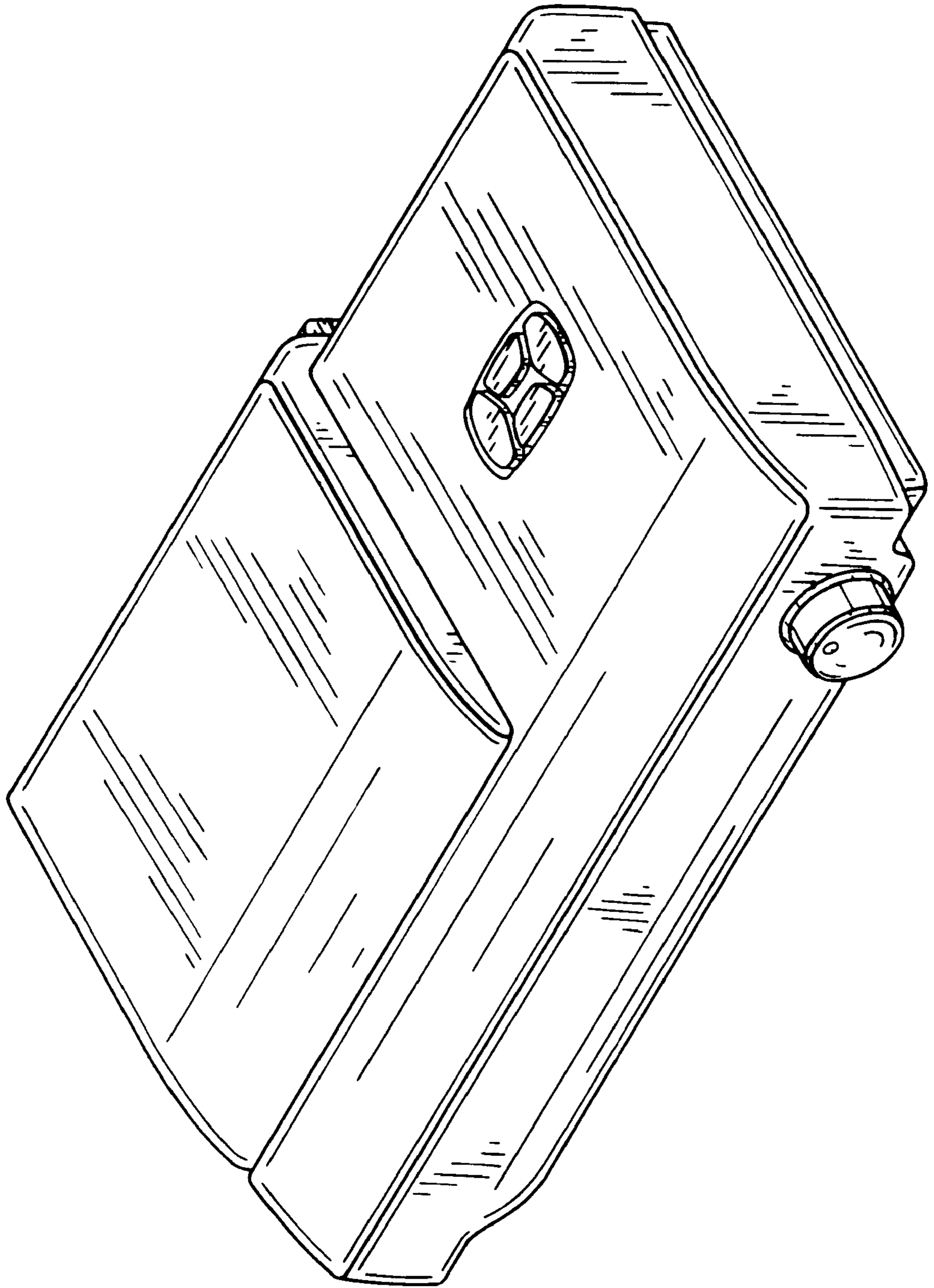


FIG. 2

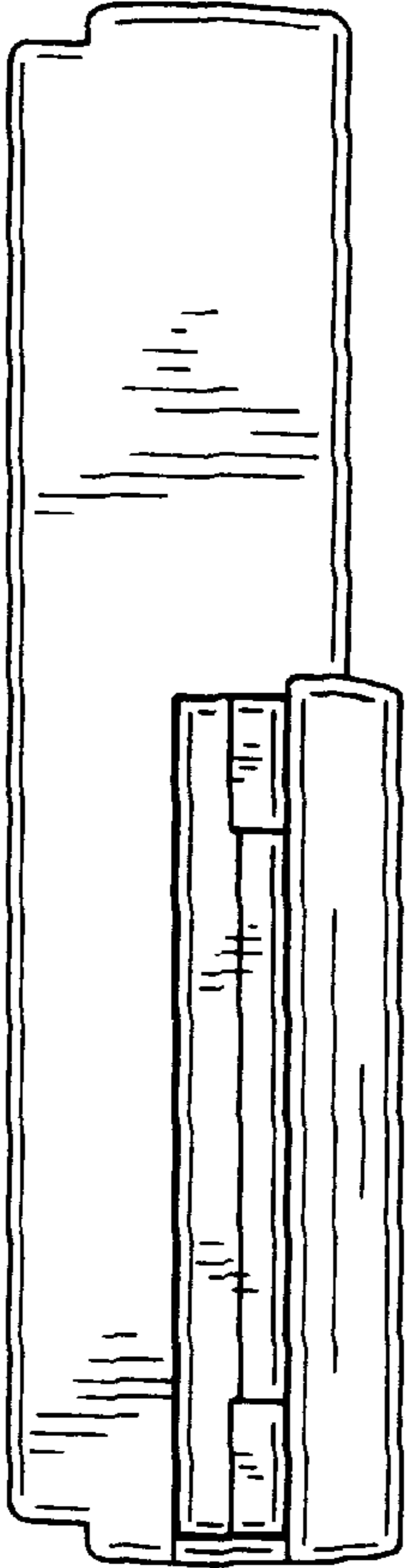


FIG. 4

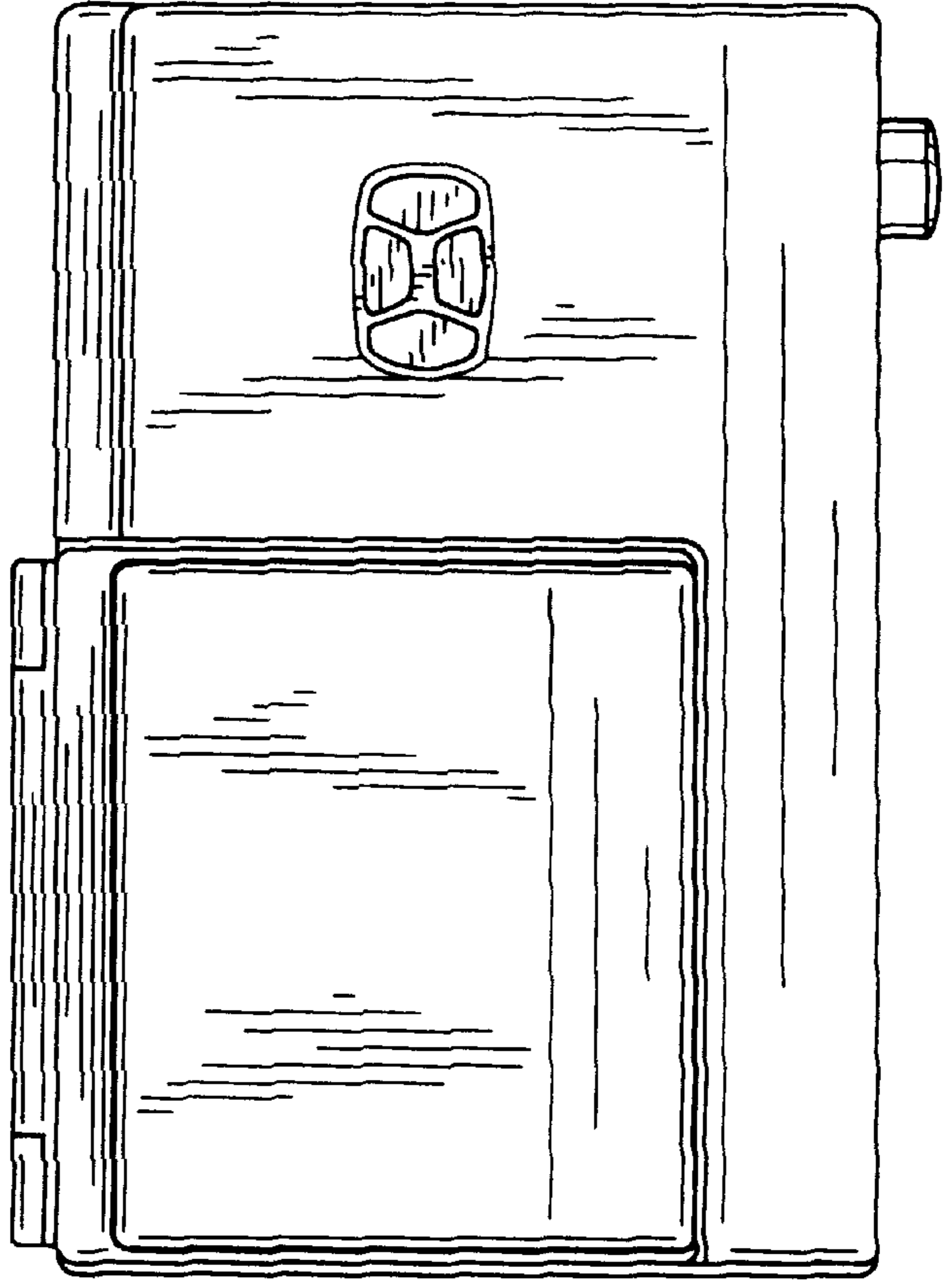


FIG. 3

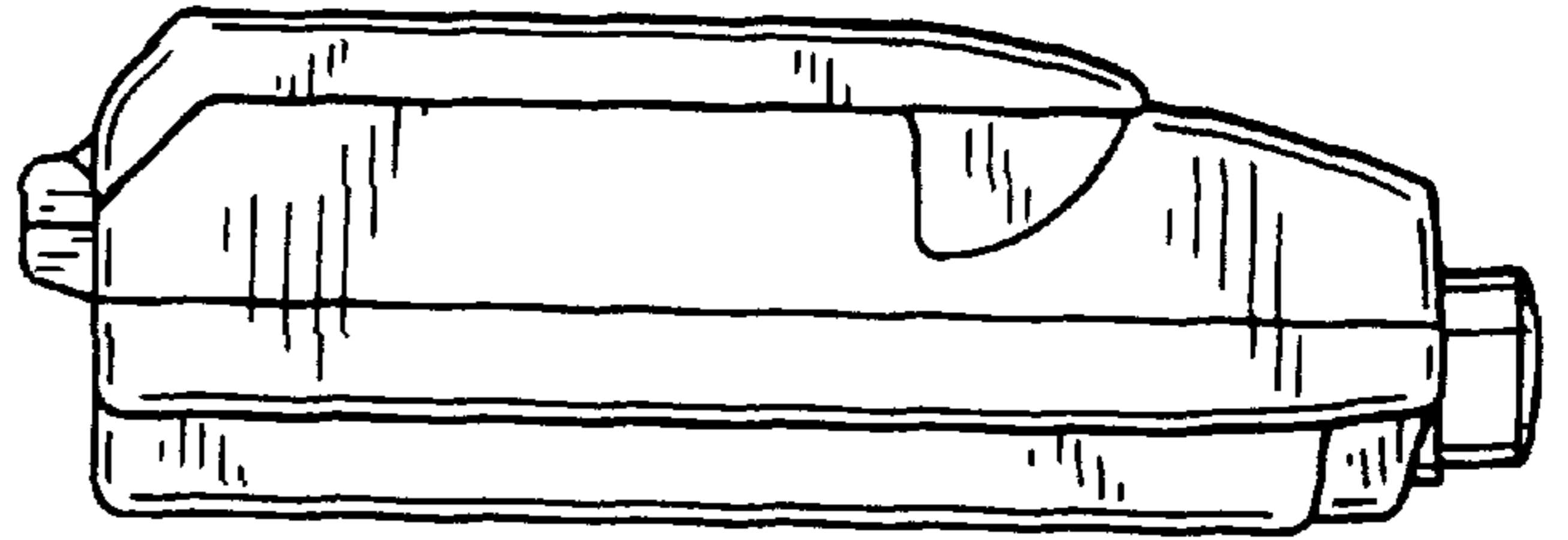


FIG. 5

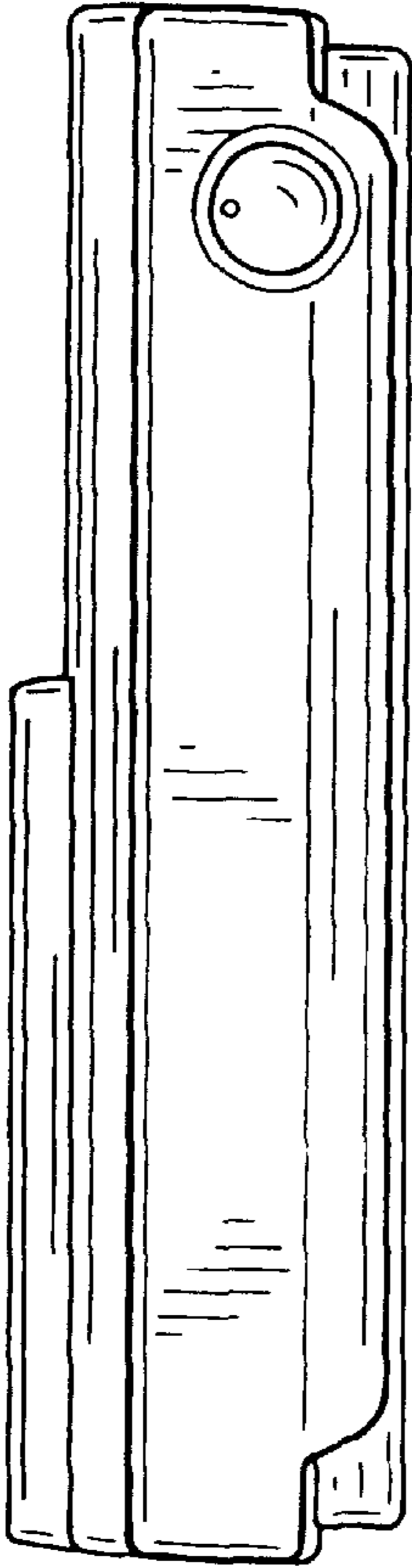


FIG. 7

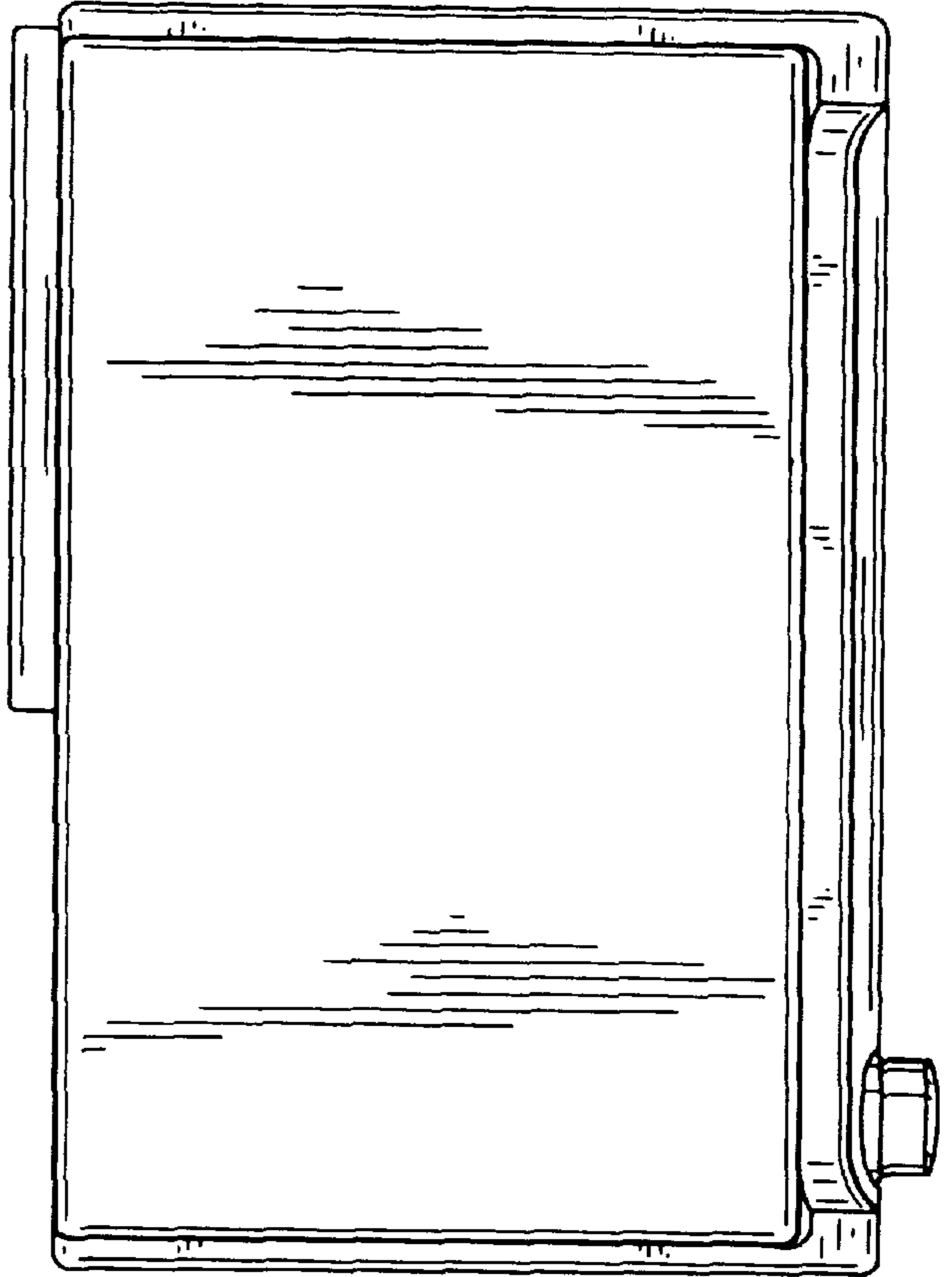


FIG. 6

