



US00D412328S

United States Patent [19]
Sasago

[11] **Patent Number: Des. 412,328**

[45] **Date of Patent: ** Jul. 27, 1999**

[54] **VIDEO TAPE PLAYER**

[75] Inventor: **Osamu Sasago**, Tokyo, Japan

[73] Assignee: **Sony Corporation**, Tokyo, Japan

[**] Term: **14 Years**

[21] Appl. No.: **29/082,038**

[22] Filed: **Oct. 16, 1997**

[51] **LOC (6) Cl.** **14-01**

[52] **U.S. Cl.** **D14/135; D14/132**

[58] **Field of Search** **D14/113, 124, D14/126, 129, 132, 135, 136, 156, 160, 239; 386/46; 369/75.1**

[56] **References Cited**

U.S. PATENT DOCUMENTS

- D. 342,501 12/1993 Saeki et al. D14/126
- D. 371,357 7/1996 Nakamura D14/136
- D. 377,648 1/1997 Young D14/136

Primary Examiner—Ted Shooman
Assistant Examiner—Richelle Shelton

Attorney, Agent, or Firm—Foley & Lardner

[57] **CLAIM**

The ornamental design for a video tape player, as shown and described.

DESCRIPTION

FIG. 1 is a perspective view of a first embodiment of a video tape player showing my new design;
 FIG. 2 is a top plan view thereof;
 FIG. 3 is a left side elevational view thereof, a right side elevational view thereof being a mirror image;
 FIG. 4 is a front elevational view thereof;
 FIG. 5 is a bottom plan view thereof;
 FIG. 6 is a rear elevational view thereof;
 FIG. 7 is another perspective view thereof wherein the screen portion is in the closed position;
 FIG. 8 is a perspective view of a second embodiment of a video tape player showing my new design;
 FIG. 9 is a top plan view thereof; and,
 FIG. 10 is a front elevational view thereof, the rest of views thereof is the same as those of the first embodiment.

1 Claim, 7 Drawing Sheets

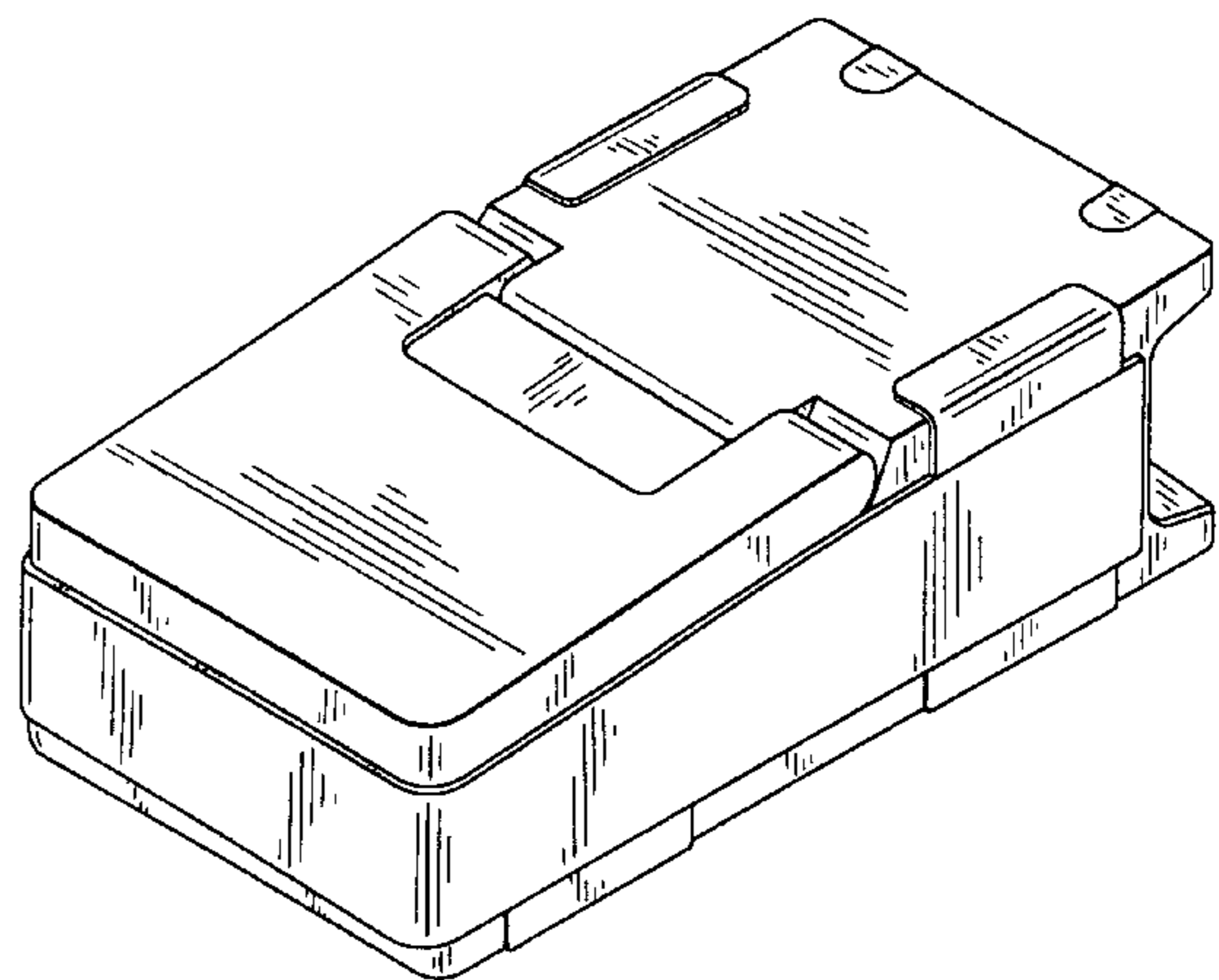
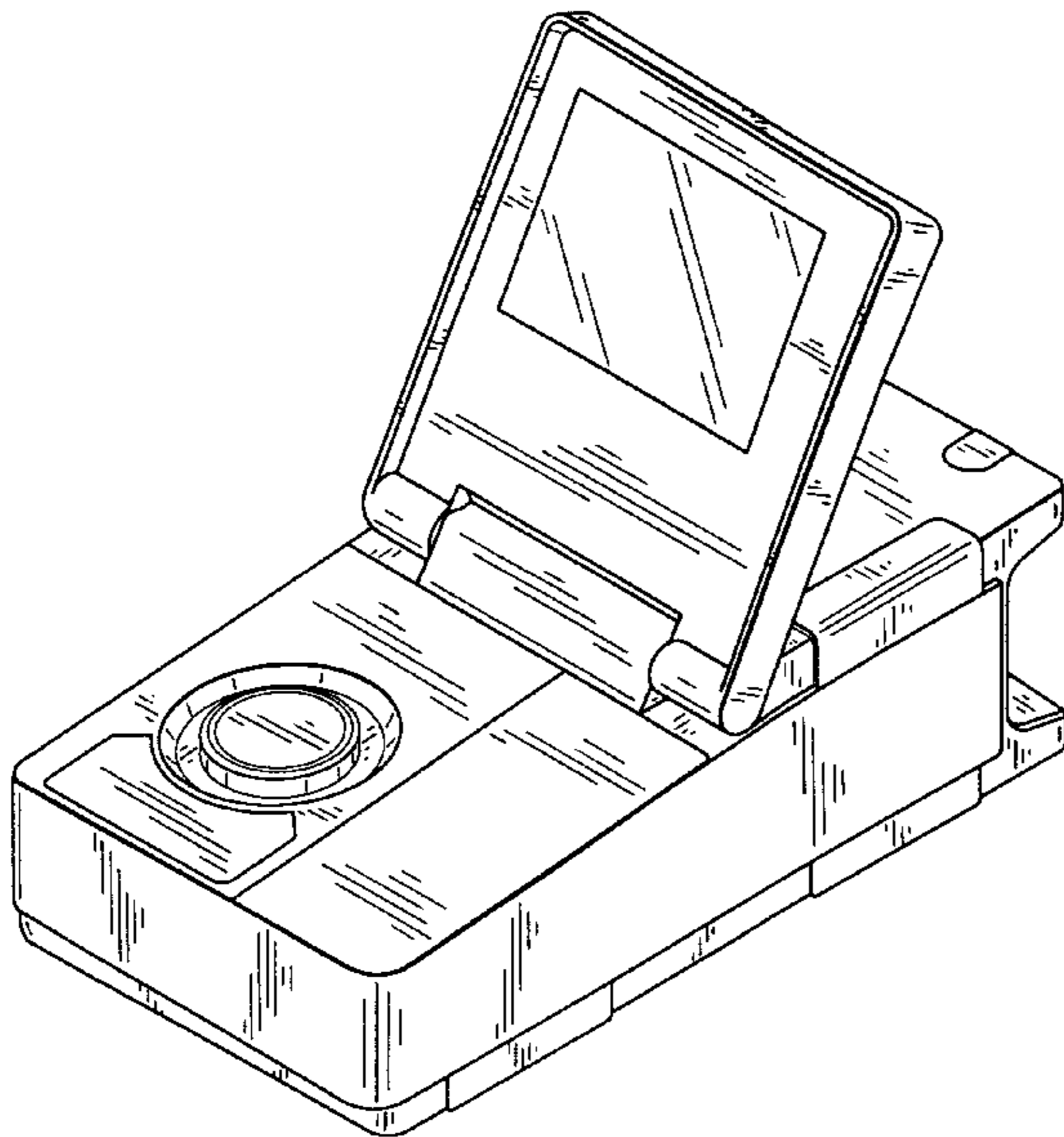


FIG.1

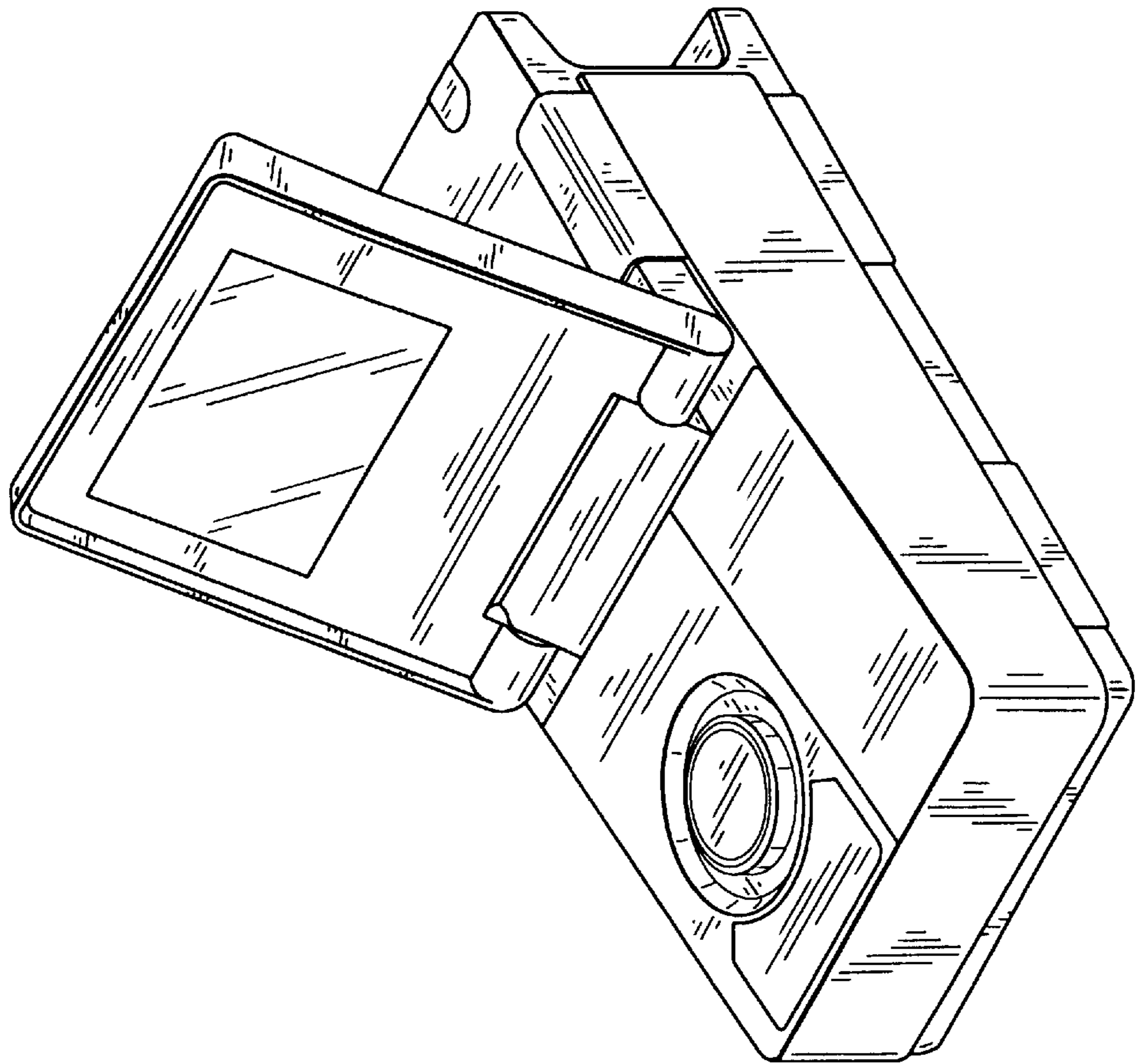


FIG. 5

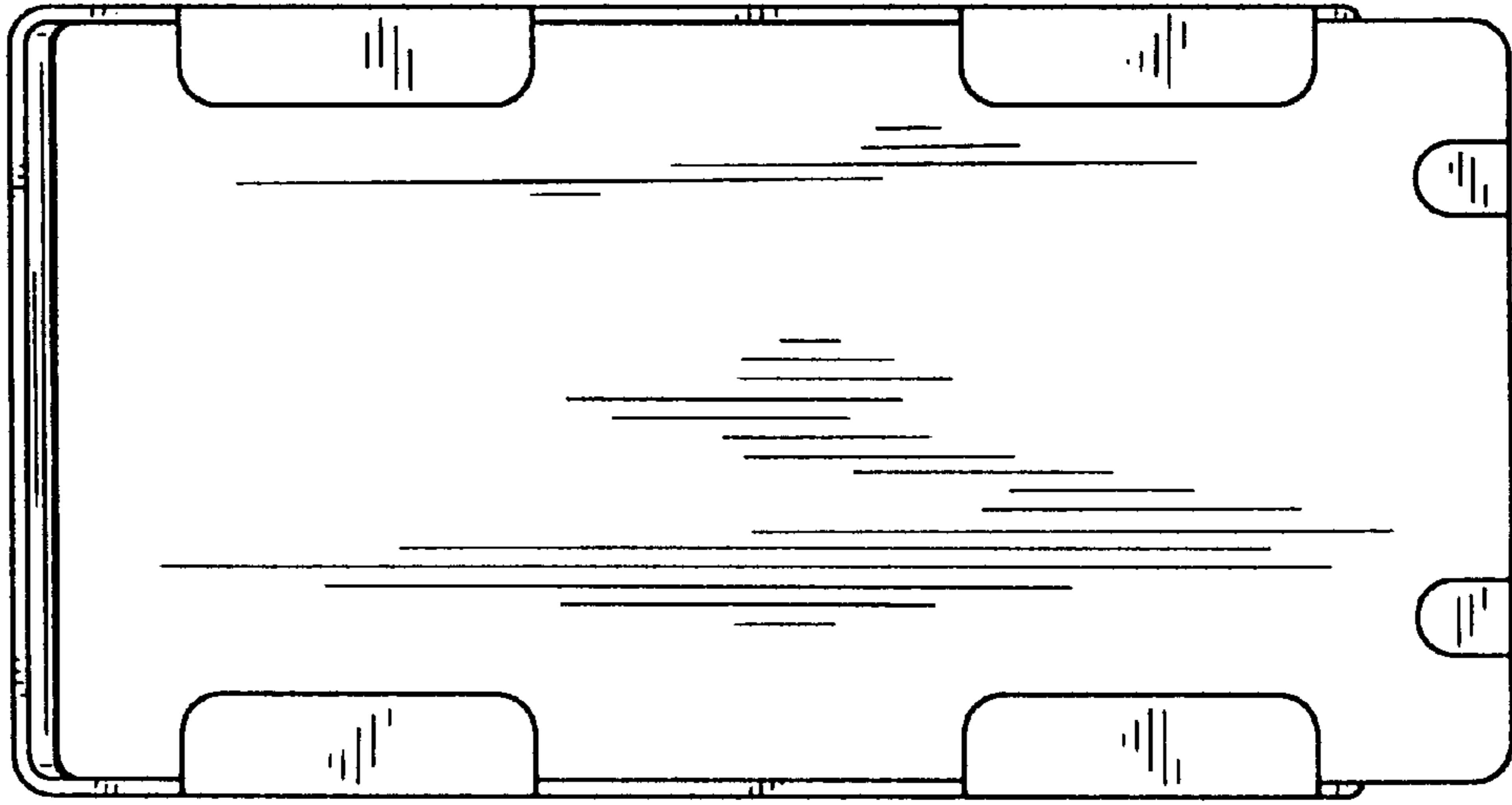


FIG. 2

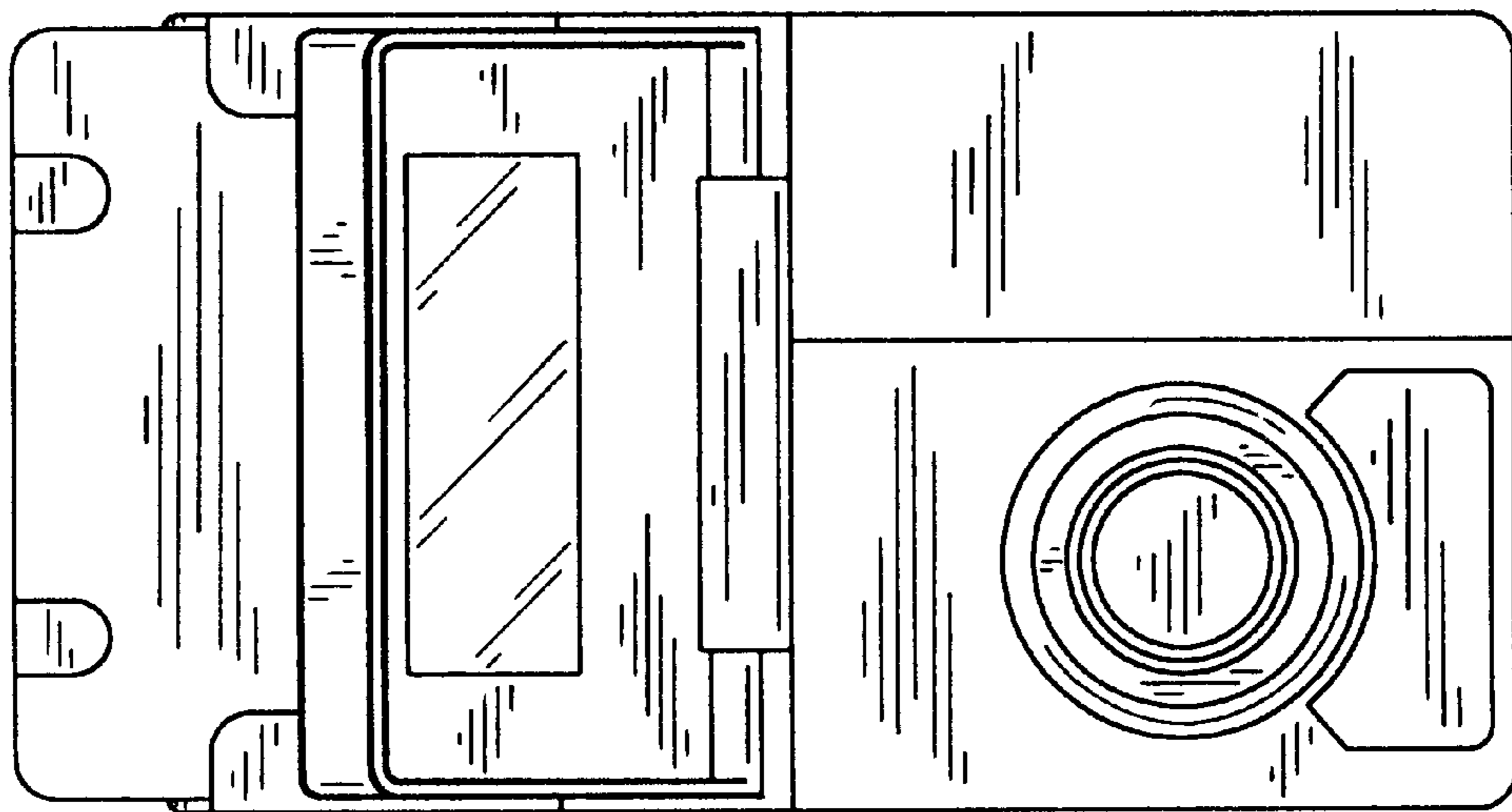


FIG. 3

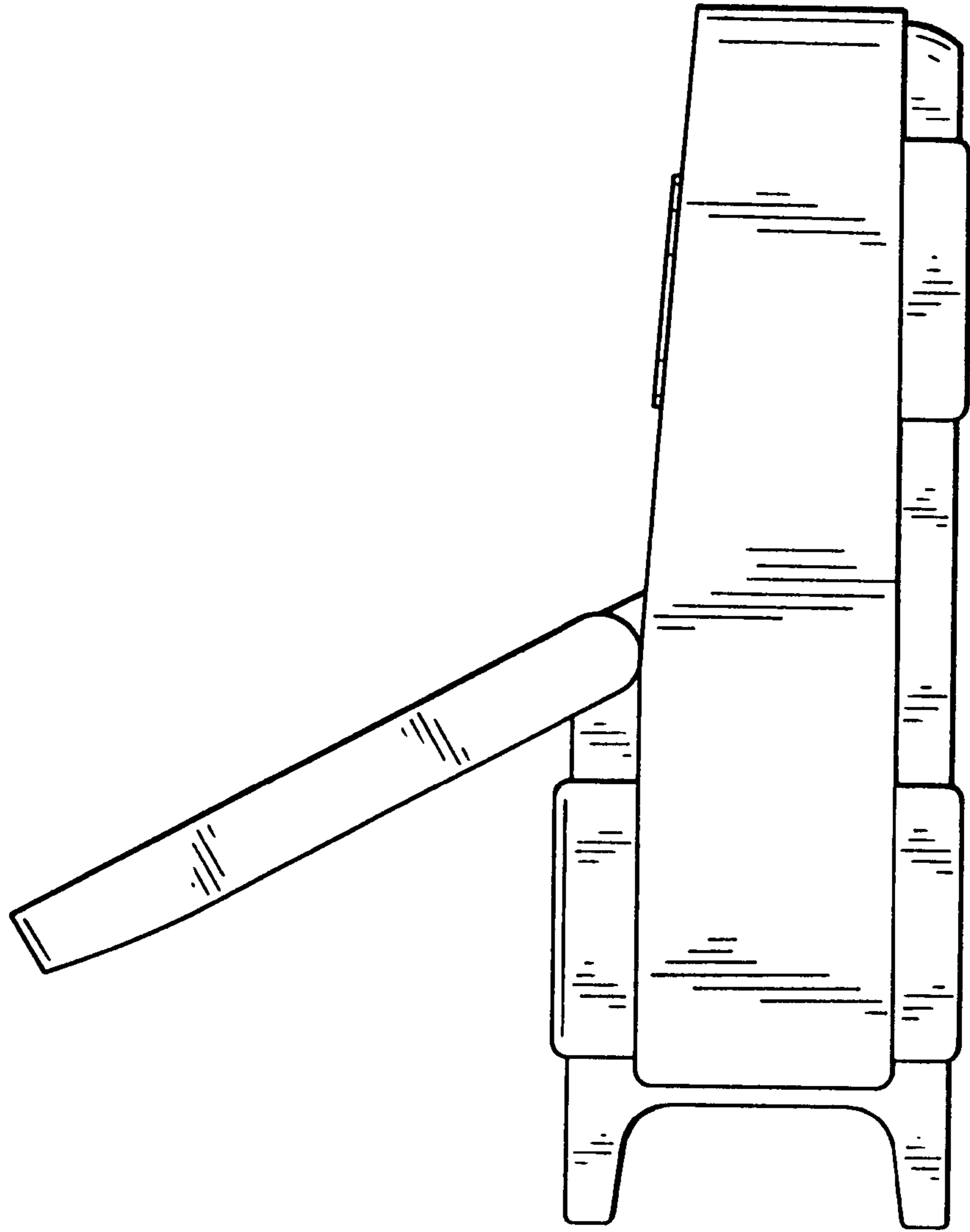


FIG. 6

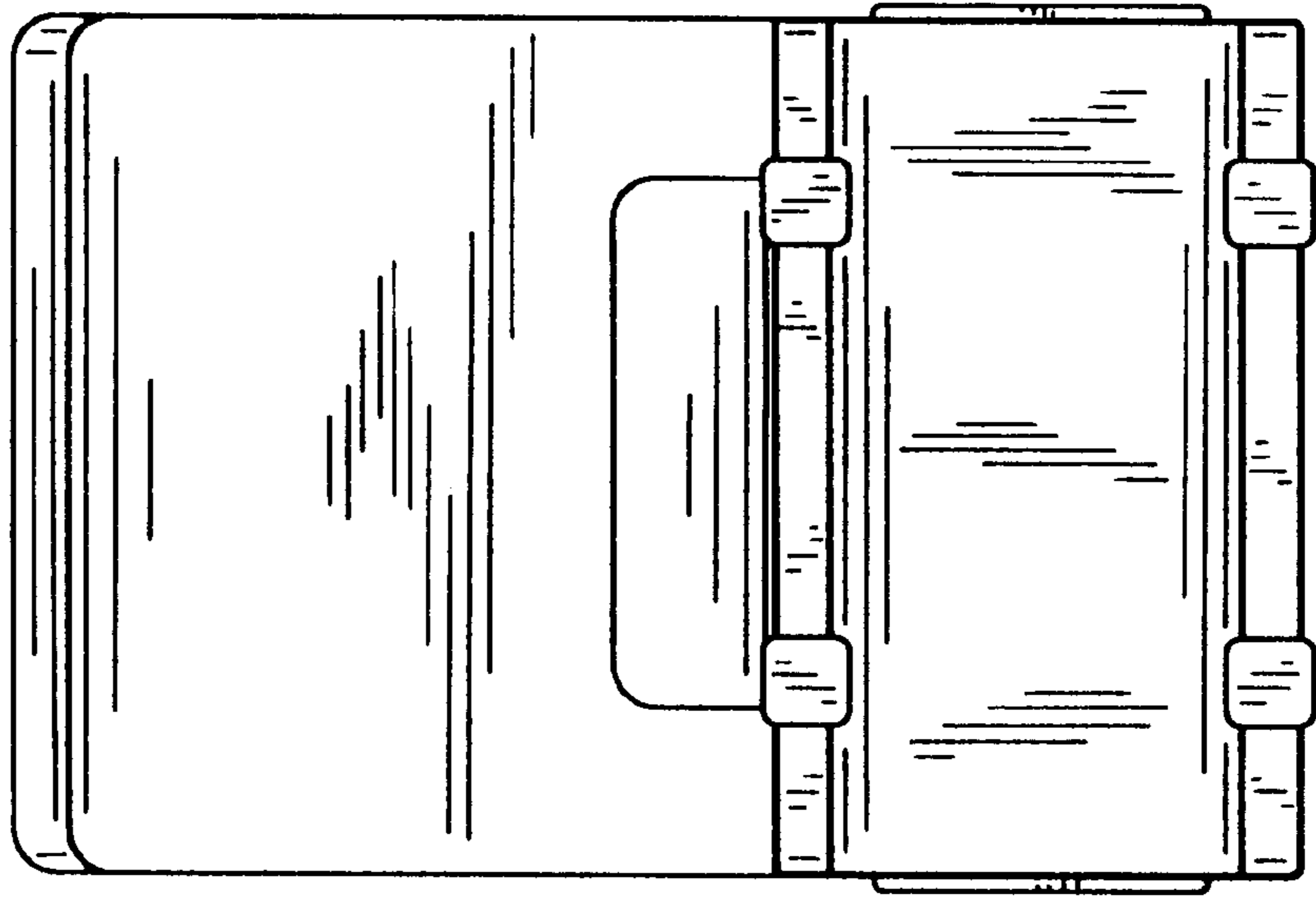


FIG. 4

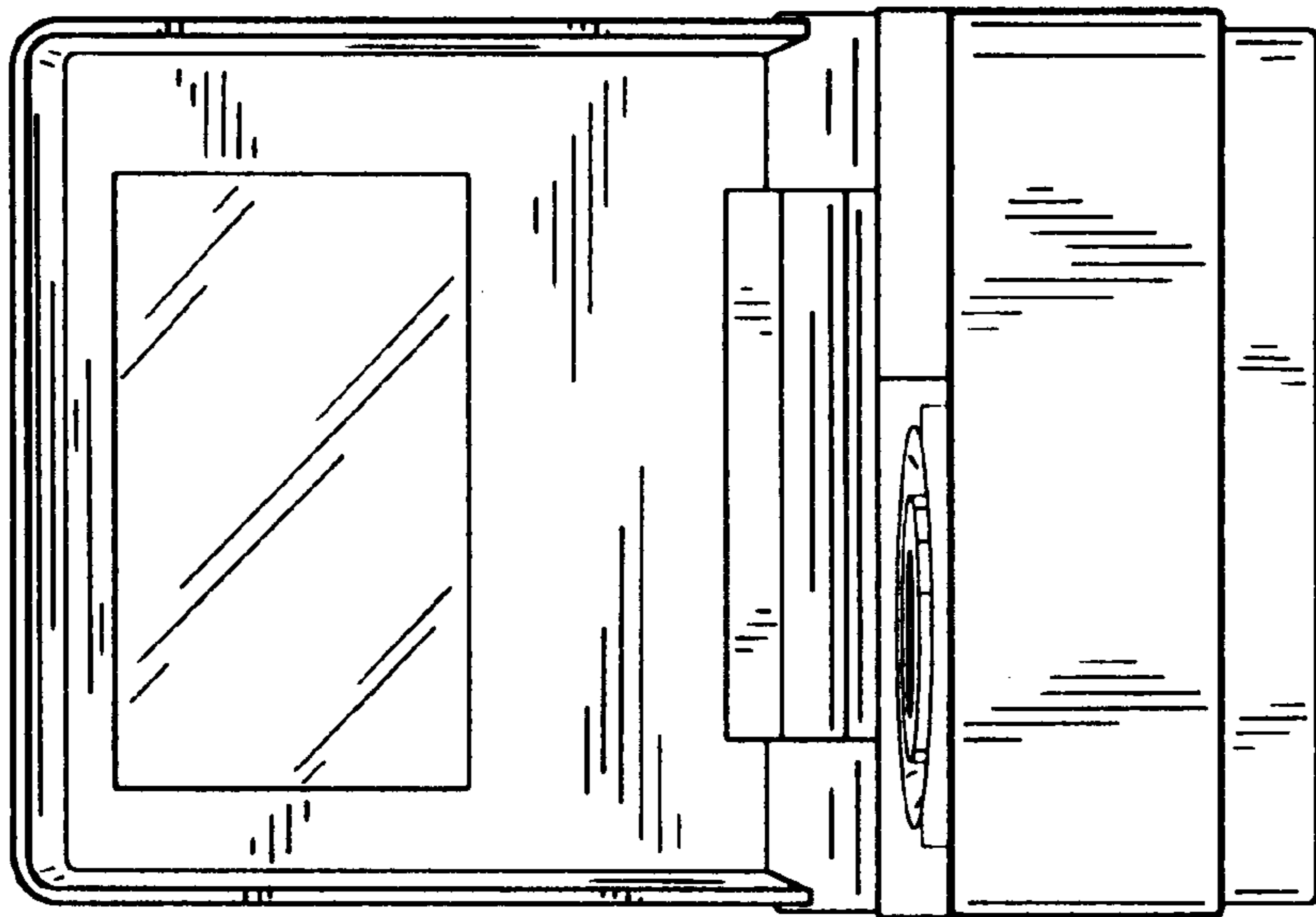


FIG. 7

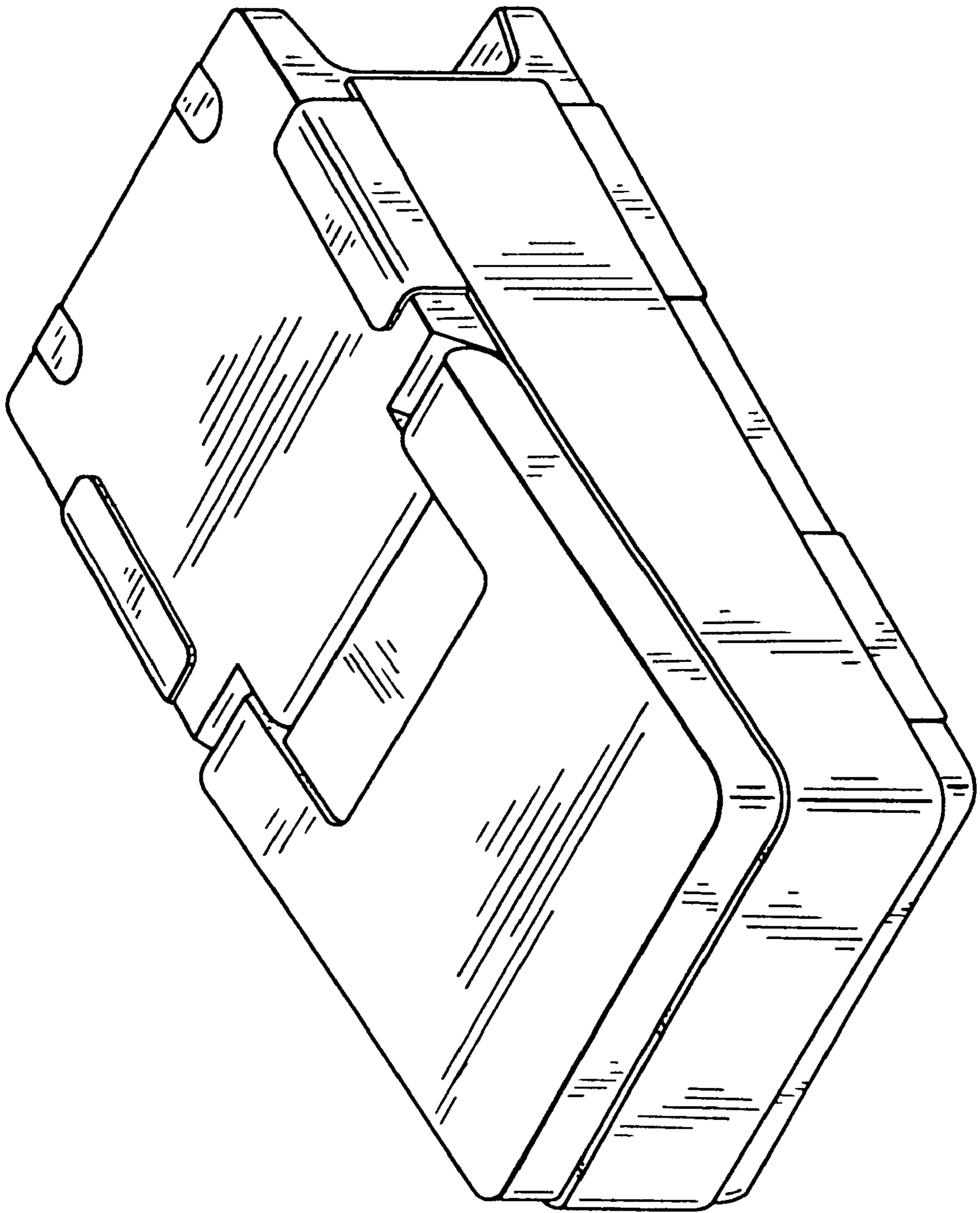


FIG. 8

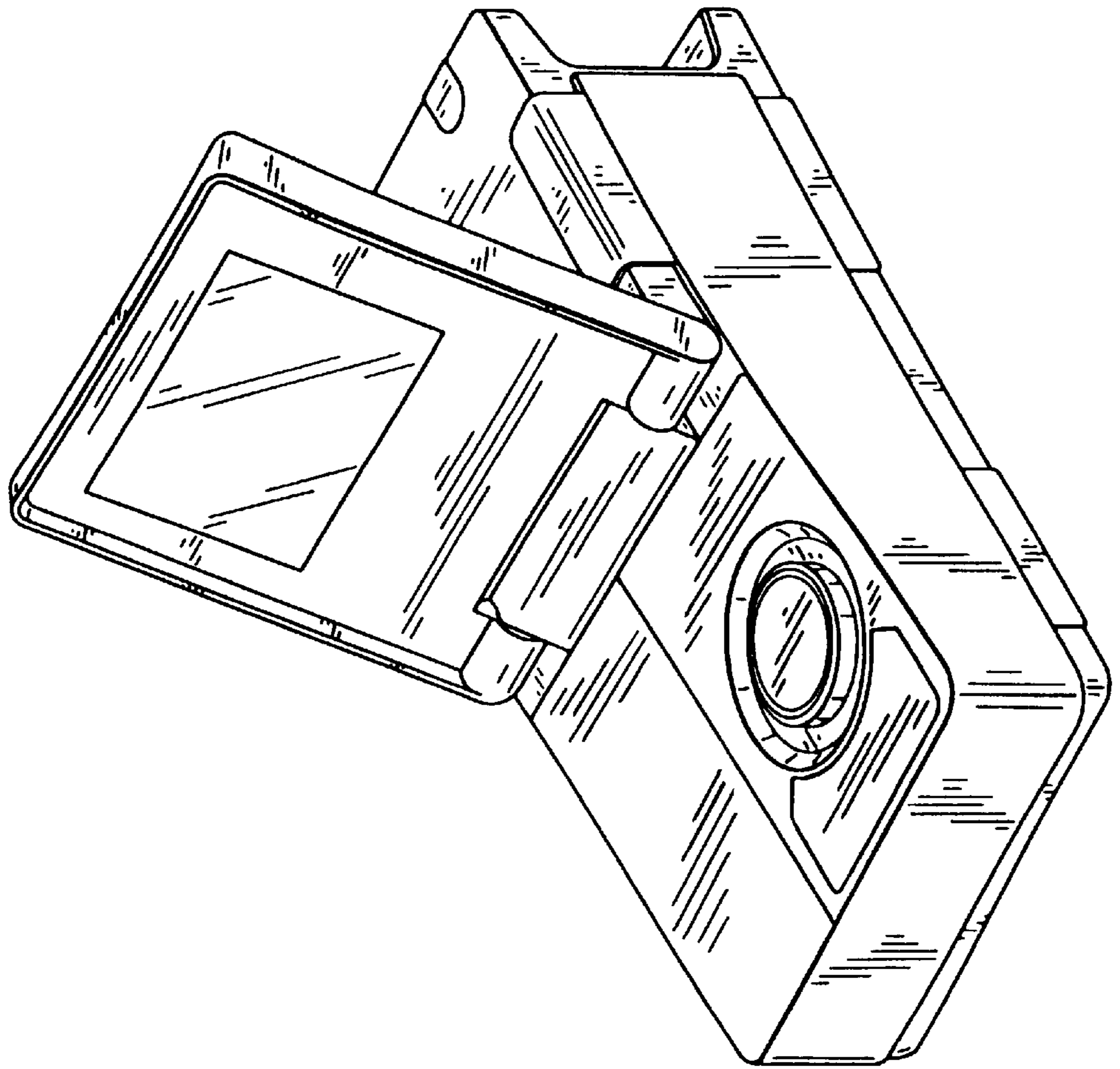


FIG. 9

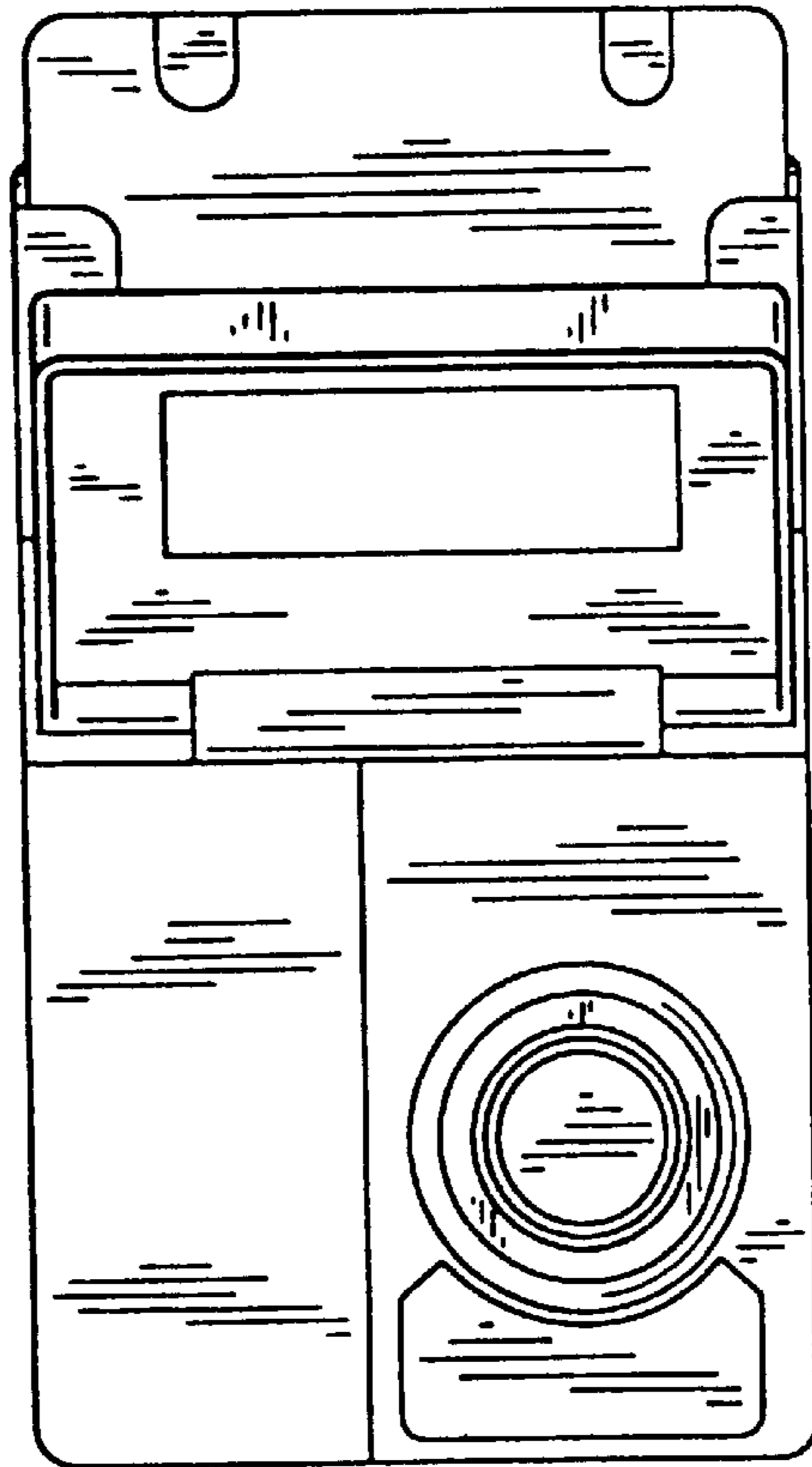


FIG. 10

