



US00D412326S

**United States Patent** [19]  
**Gianfagna et al.**

[11] **Patent Number: Des. 412,326**  
[45] **Date of Patent: \*\* Jul. 27, 1999**

[54] **DATA STORAGE TAPE CARTRIDGE**

[75] Inventors: **John T. Gianfagna**, Marietta, Ohio;  
**Leslie M. Collins**, White Bear Lake,  
Minn.; **Randolph L. Carlson**,  
Wahpeton, N. Dak.; **Gregory H.**  
**Johnson**, Oakdale; **Steven R. Seeman**,  
Stillwater, both of Minn.

[73] Assignee: **Imation Corp.**, Oakdale, Minn.

[\*\*] Term: **14 Years**

[21] Appl. No.: **29/091,070**

[22] Filed: **Jul. 22, 1998**

[51] **LOC (6) Cl.** ..... **14-99**

[52] **U.S. Cl.** ..... **D14/121**

[58] **Field of Search** ..... D14/120, 121,  
D14/100, 114, 299; 242/348, 348.4, 341,  
346.2, 346.1, 347; 360/132, 133; 273/148 B;  
463/43, 44, 45, 46; D21/332

[56] **References Cited**

**U.S. PATENT DOCUMENTS**

- D. 346,379 4/1994 Patel et al. .... D14/121
- D. 356,305 3/1995 Kikutani et al. .... D14/114
- D. 363,066 10/1995 Tapani et al. .... D14/121
- D. 367,474 2/1996 Ikenaga ..... D14/114
- D. 375,305 11/1996 Hiraoka et al. .... D14/121

- 4,754,387 6/1988 Nelson ..... 360/132
- 4,888,848 12/1989 Kotoko et al. .... 242/346.2 X
- 5,610,789 3/1997 Miller ..... 360/132

**OTHER PUBLICATIONS**

“Data Storage Tape Cartridge” sold by 3M/Imation before Jul. 22, 1998.

*Primary Examiner*—Prabhakar Deshmukh  
*Attorney, Agent, or Firm*—Eric D. Levinson

[57] **CLAIM**

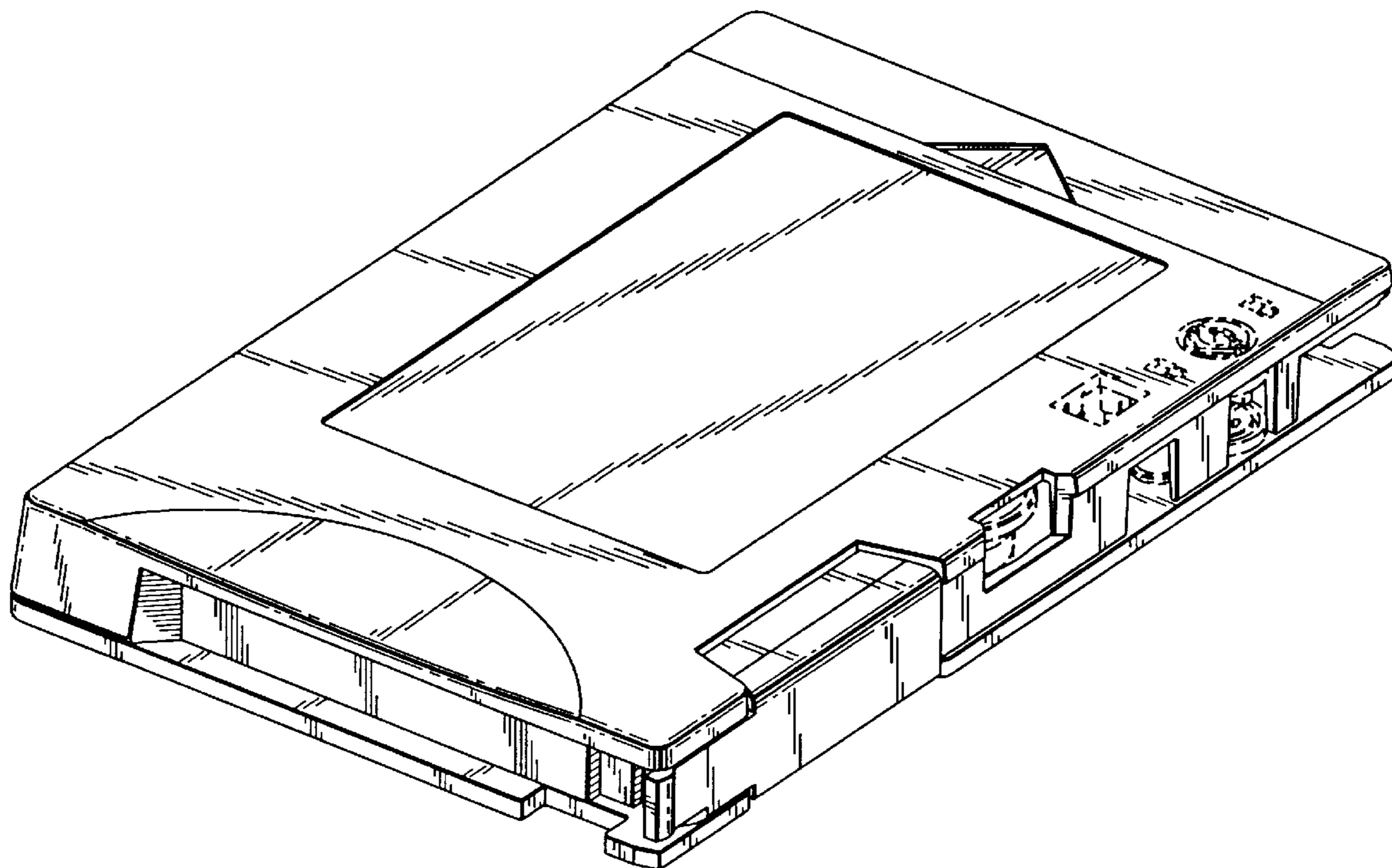
The ornamental design for a data storage tape cartridge, as shown and described.

**DESCRIPTION**

FIG. 1 is an isometric view of a data storage tape cartridge according to the present invention; FIG. 2 is a top view of the cartridge shown in FIG. 1; FIG. 3 is a bottom view of the cartridge shown in FIG. 1; FIG. 4 is a front view of the cartridge shown in FIG. 1; FIG. 5 is a rear view of the cartridge shown in FIG. 1; FIG. 6 is a side view of the cartridge shown in FIG. 1; and, FIG. 7 is an opposite side view of the cartridge shown in FIG. 1.

Those portions of the cartridge shown in broken lines are included for illustrative purposes only and form no part of the claimed design.

**1 Claim, 3 Drawing Sheets**



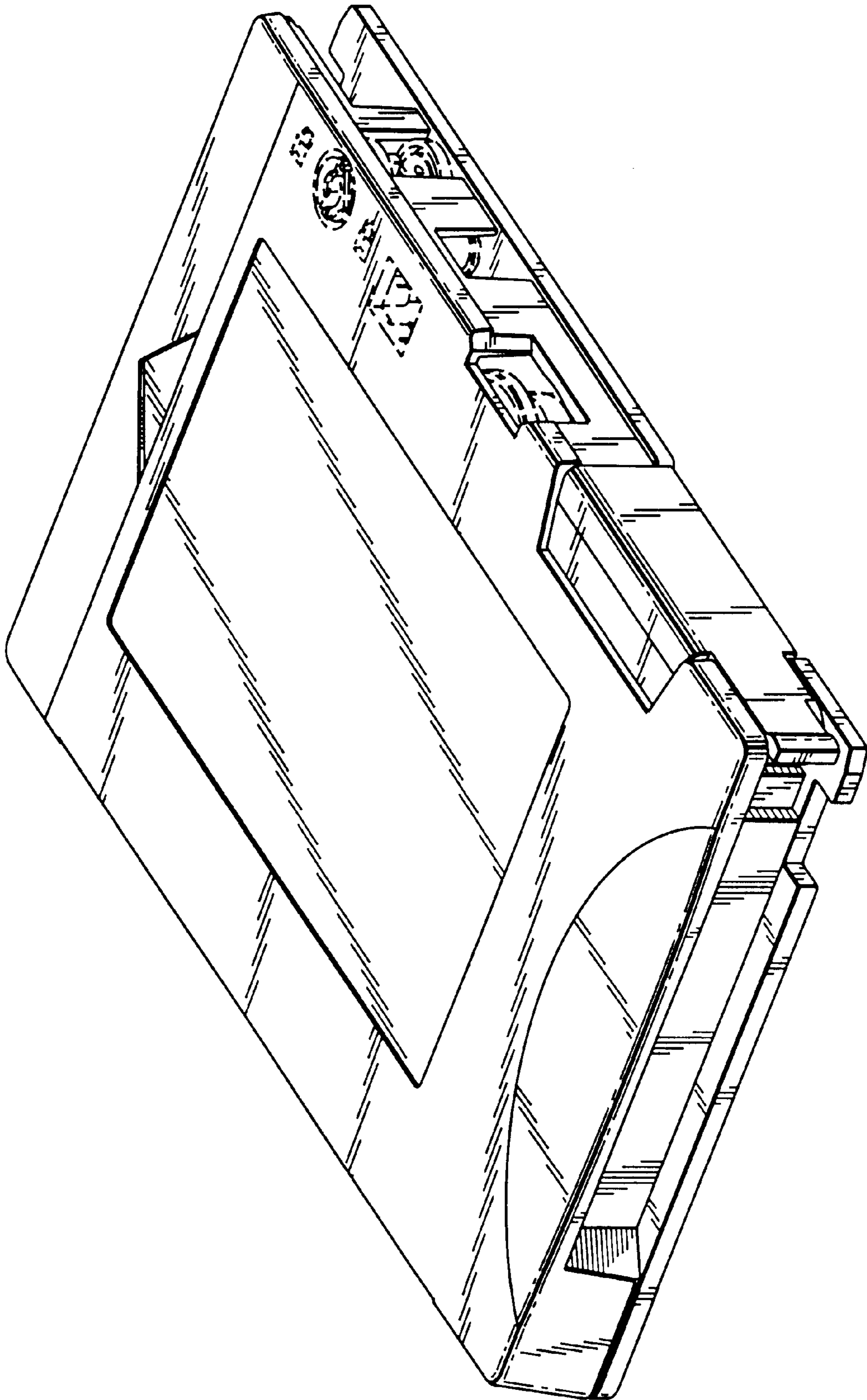


Fig. 1

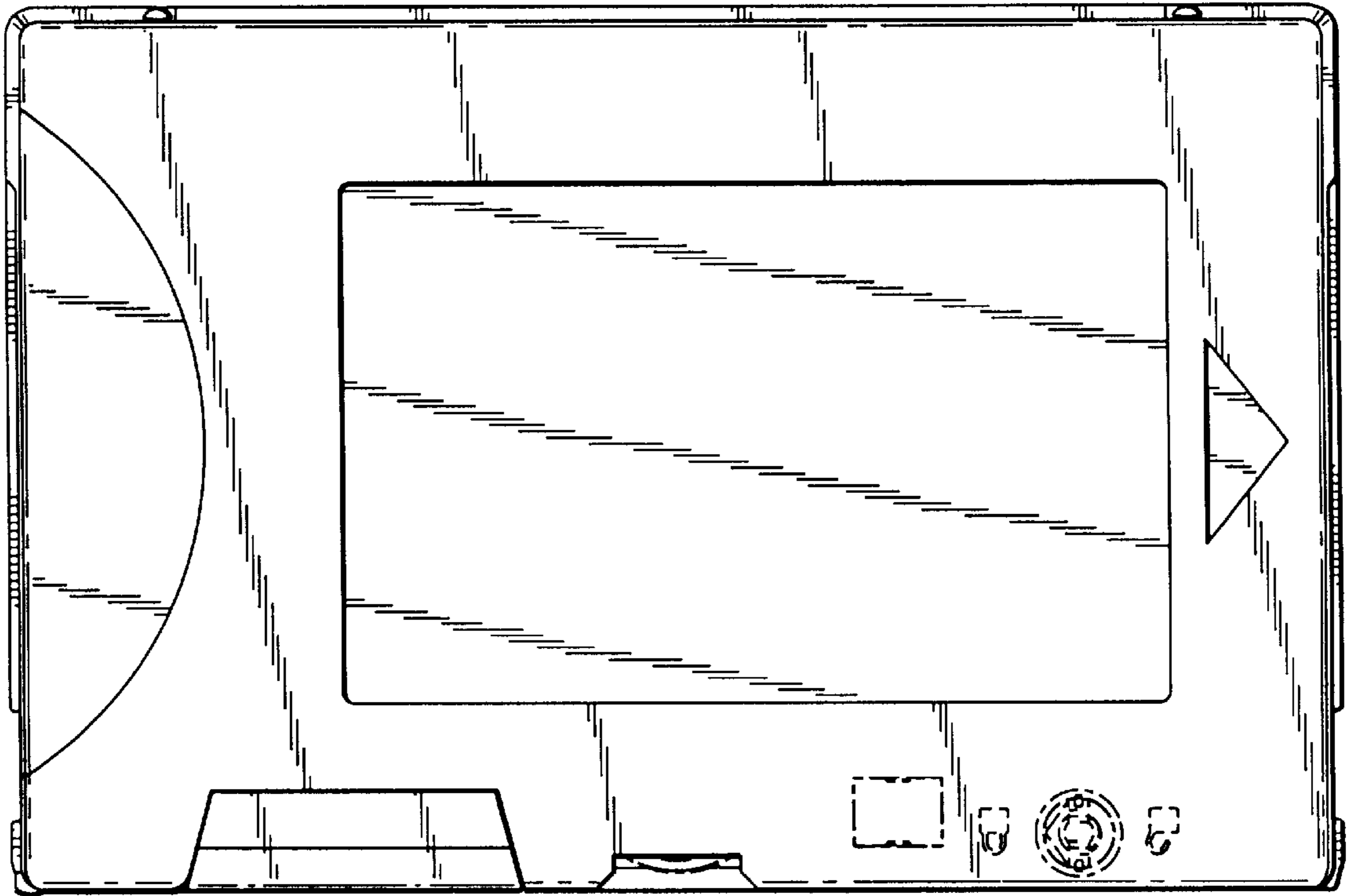


Fig. 2

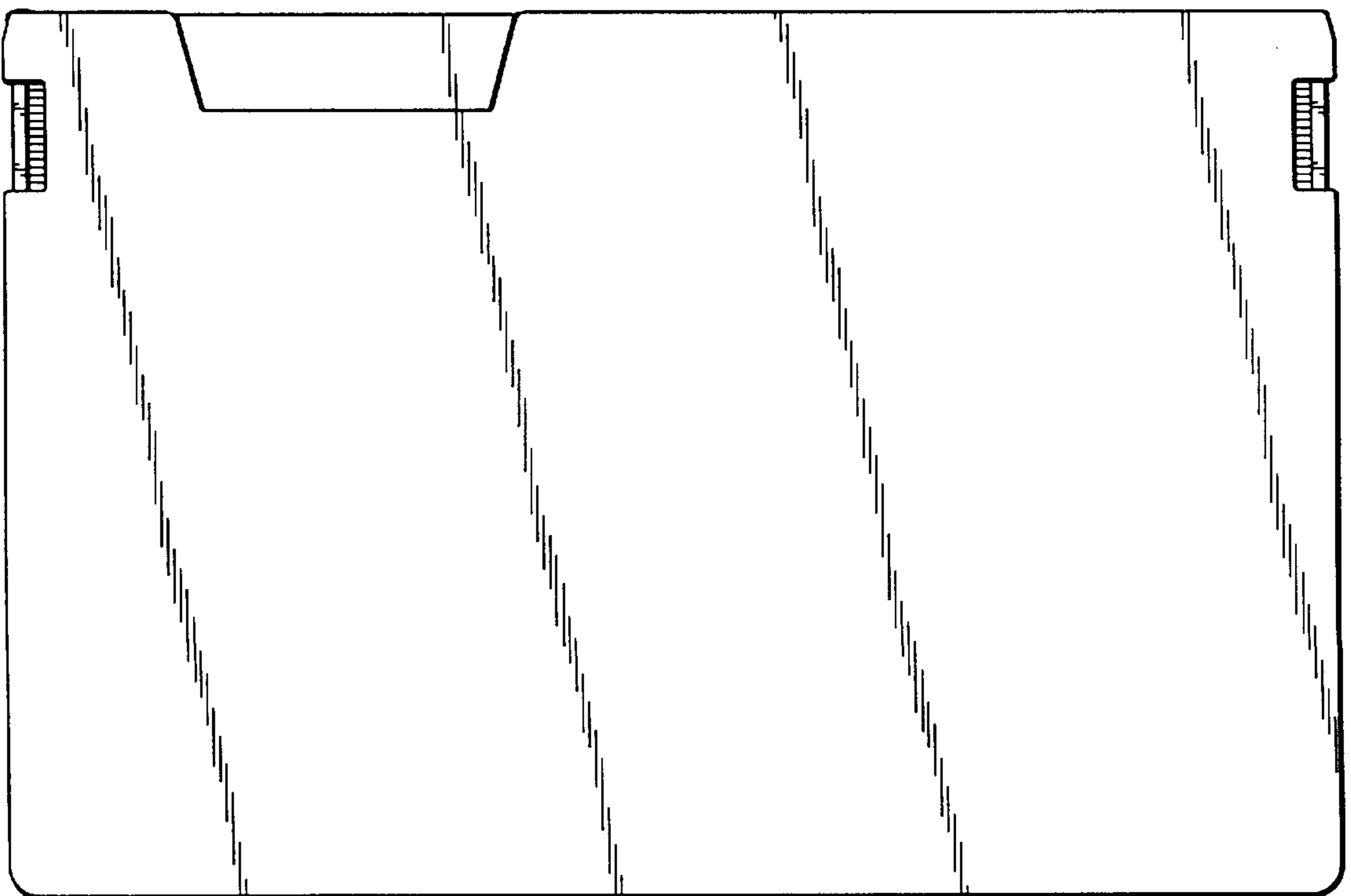
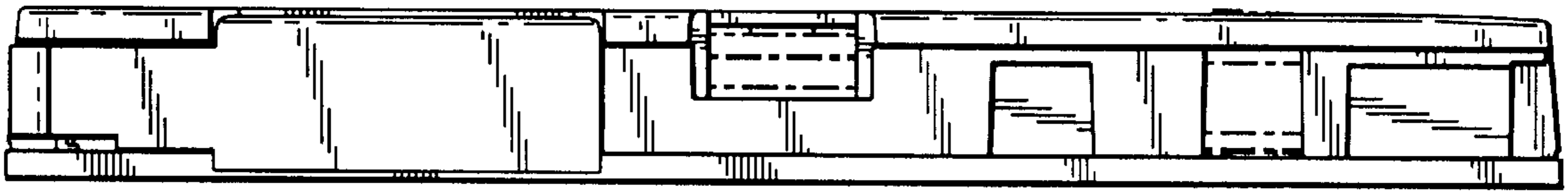
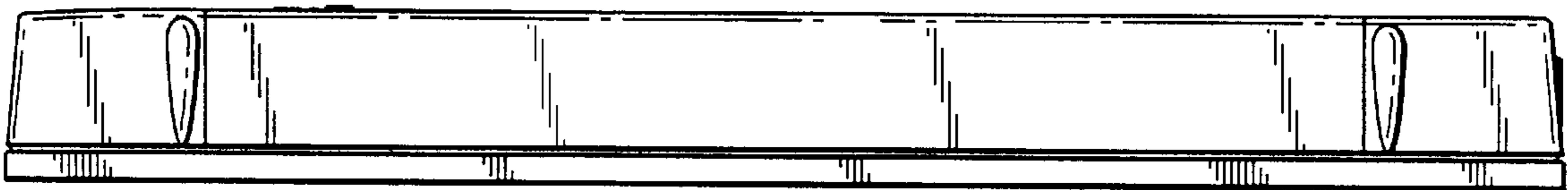


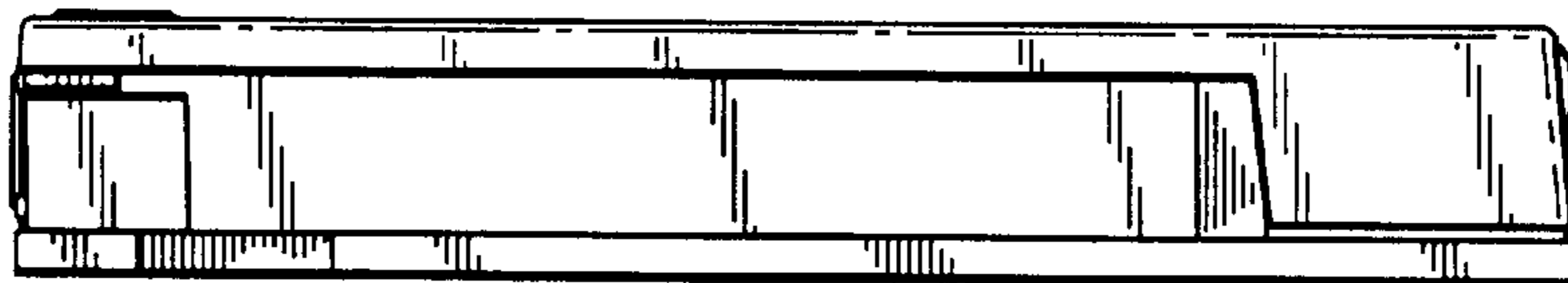
Fig. 3



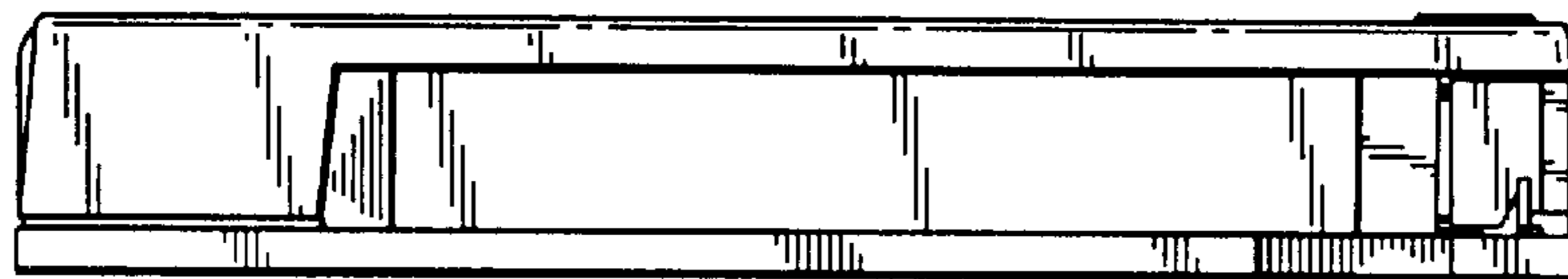
**Fig. 4**



**Fig. 5**



**Fig. 6**



**Fig. 7**