



US00D412324S

United States Patent [19] Oba

[11] **Patent Number: Des. 412,324**

[45] **Date of Patent: ** Jul. 27, 1999**

[54] **INPUT MACHINE FOR COMPUTER**

[75] Inventor: **Haruo Oba**, Tokyo, Japan

[73] Assignee: **Sony Corporation**, Tokyo, Japan

[**] Term: **14 Years**

[21] Appl. No.: **29/089,594**

[22] Filed: **Jun. 18, 1998**

[30] **Foreign Application Priority Data**

Feb. 18, 1998 [JP] Japan 10-4065

[51] **LOC (6) Cl.** **14-02**

[52] **U.S. Cl.** **D14/115**

[58] **Field of Search** D14/100, 101,
D14/106, 115; D18/1, 2, 7; 178/17 A, 17 C;
200/5 A, 5 R, 6 A, 6 R; 235/145 A, 145 R;
345/160, 168; 341/22, 23; 364/708.1; 400/484-486,
488, 489

[56] **References Cited**

U.S. PATENT DOCUMENTS

- D. 369,594 5/1996 Vossoughi D14/115
- D. 381,326 7/1997 Ratzlaff D14/115
- D. 386,171 11/1997 Tague D14/115
- D. 387,051 12/1997 Peng D14/115

OTHER PUBLICATIONS

- Catalog "Wireless Keyboard with Pointing Device" ALPS Electric K.K. with Translation (Sep. 1997).
- Catalog Cereb PC-9821C233/V NEC (Jun. 1997).

Primary Examiner—Freda Nunn
Attorney, Agent, or Firm—Foley & Lardner

[57] **CLAIM**

The ornamental design for an input machine for computer, as shown and described.

DESCRIPTION

FIG. 1 is a perspective view of a first embodiment of an input machine for computer showing my new design;

FIG. 2 is a top plan view thereof;

FIG. 3 is a left side elevational view thereof;

FIG. 4 is a front elevational view thereof;

FIG. 5 is a bottom plan view thereof;

FIG. 6 is a right side elevational view thereof;

FIG. 7 is a rear elevational view thereof;

FIG. 8 is a perspective view of a second embodiment of an input machine for computer showing my new design;

FIG. 9 is a top plan view thereof;

FIG. 10 is a left side elevational view thereof;

FIG. 11 is a front elevational view thereof;

FIG. 12 is a bottom plan view thereof;

FIG. 13 is a right side elevational view thereof; and,

FIG. 14 is a rear elevational view thereof.

1 Claim, 6 Drawing Sheets

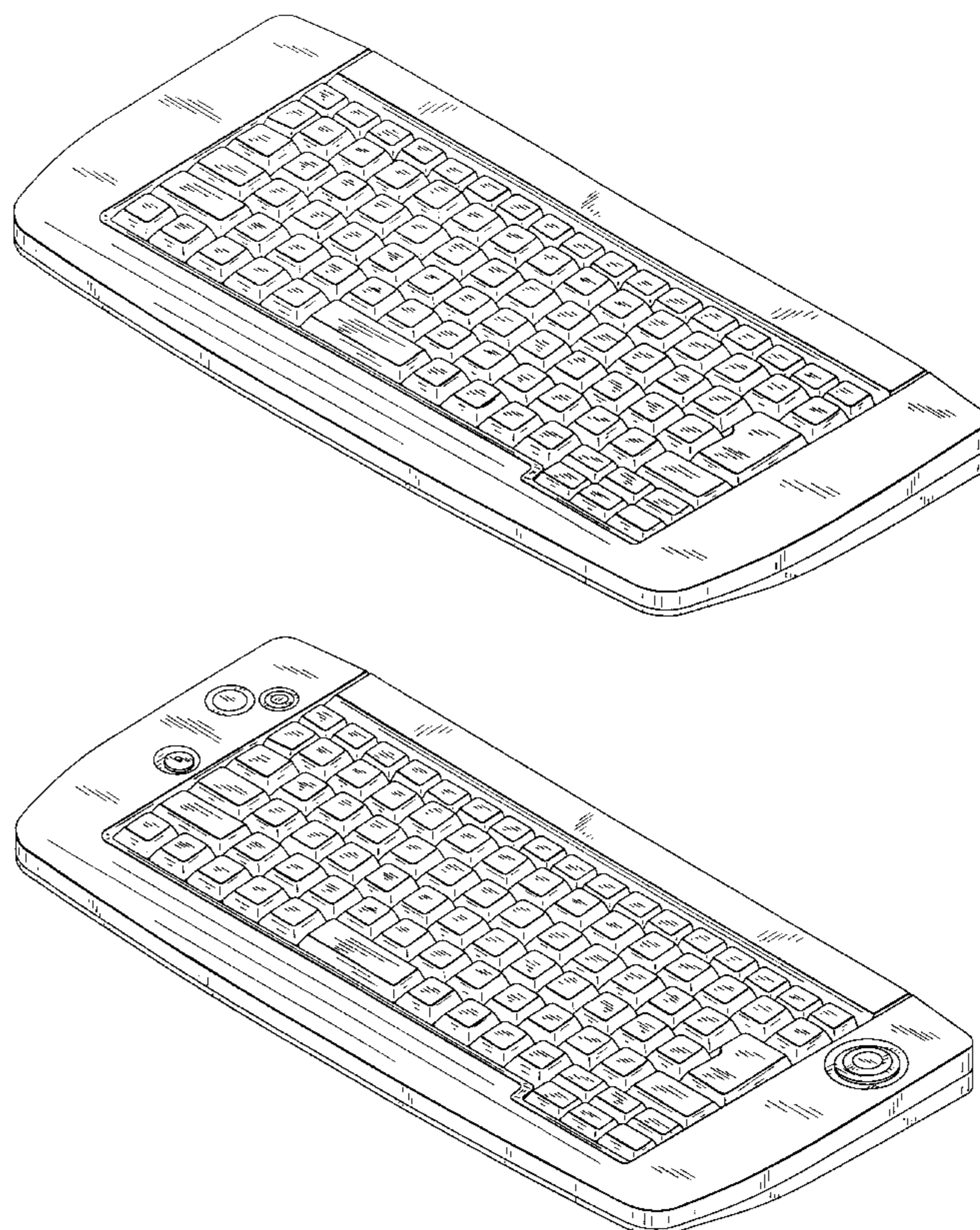


FIG. 1

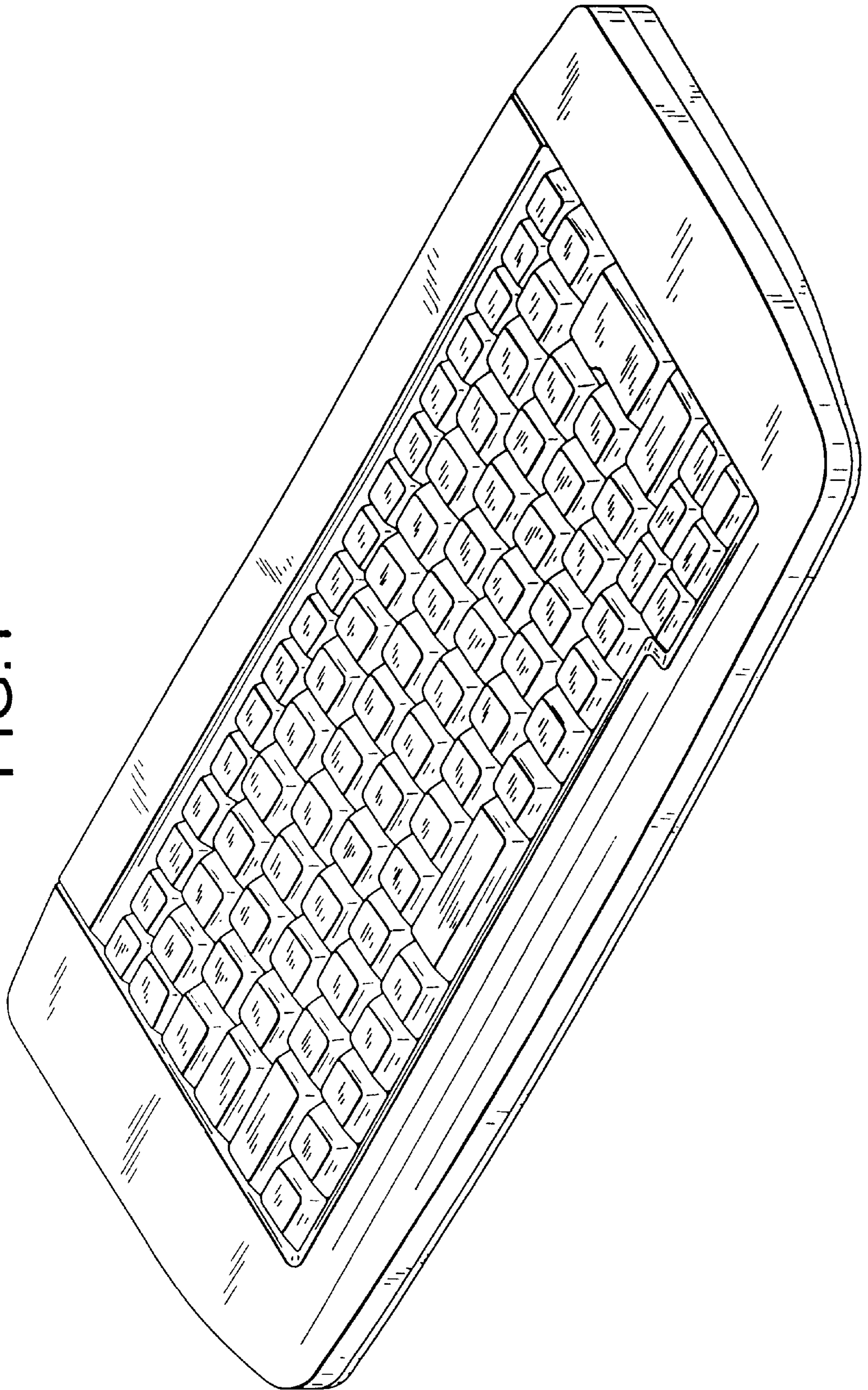


FIG. 2

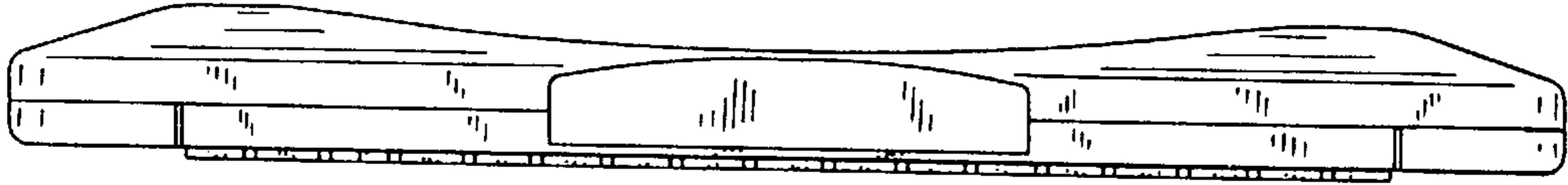


FIG. 3



FIG. 6

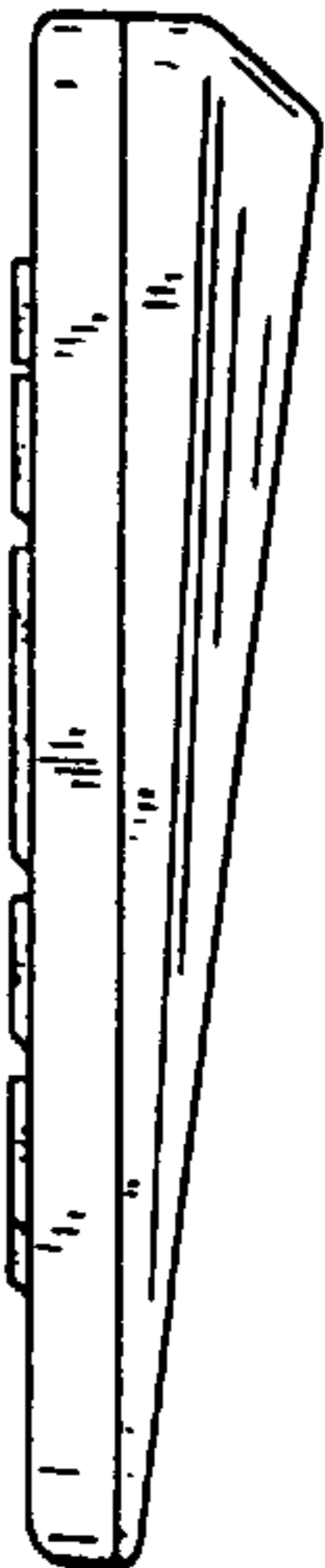


FIG. 5

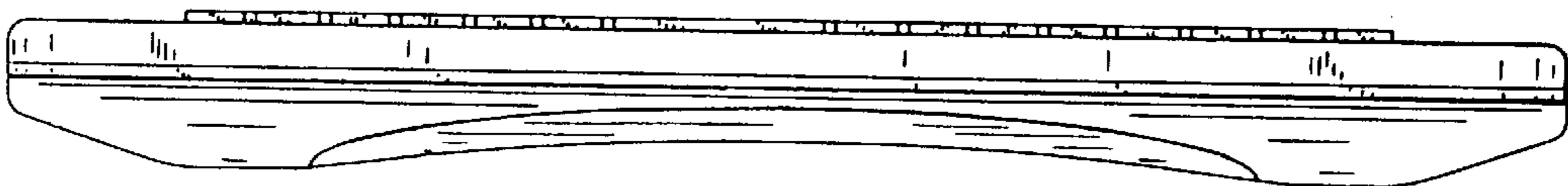


FIG. 4

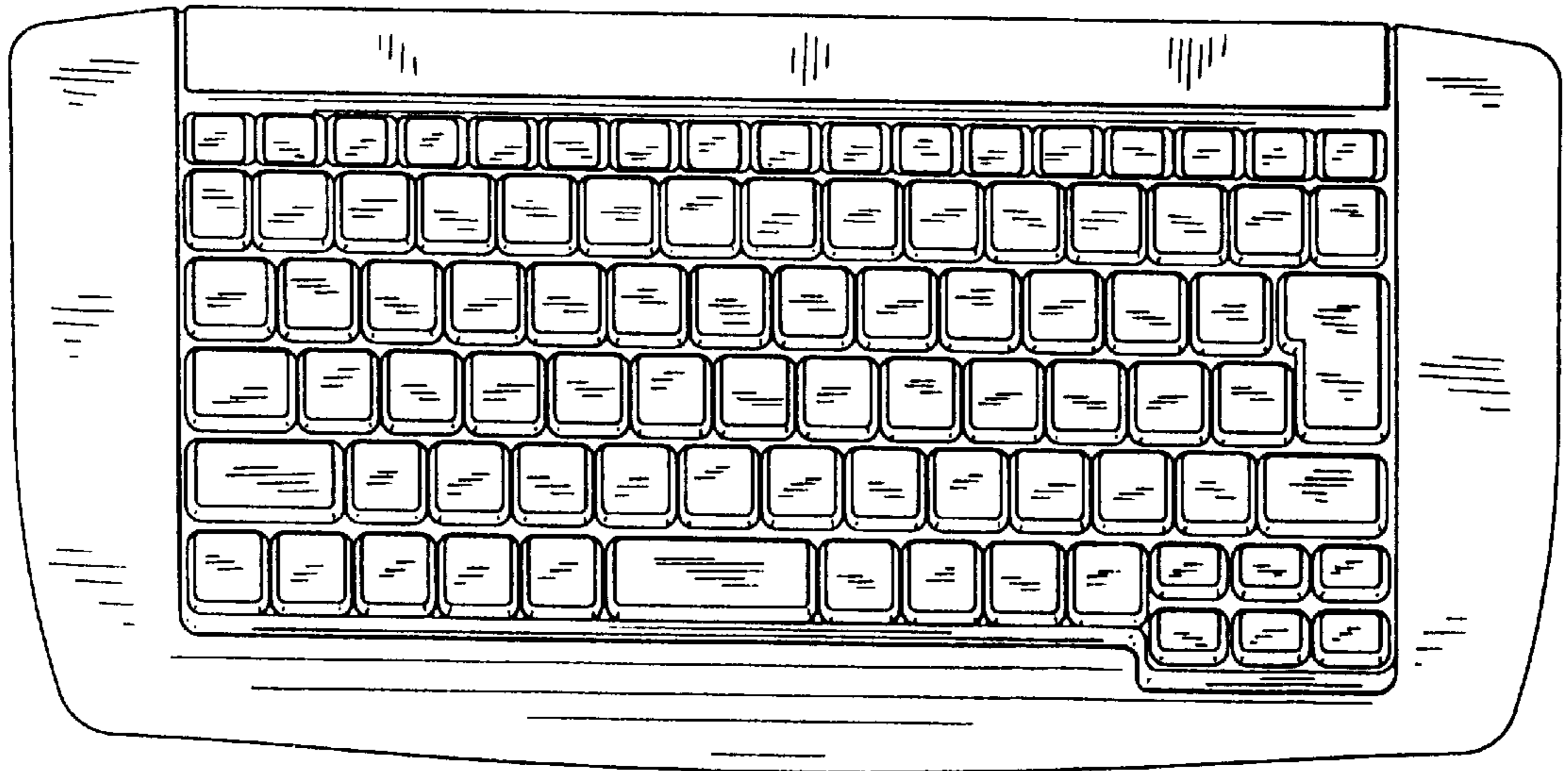


FIG. 7

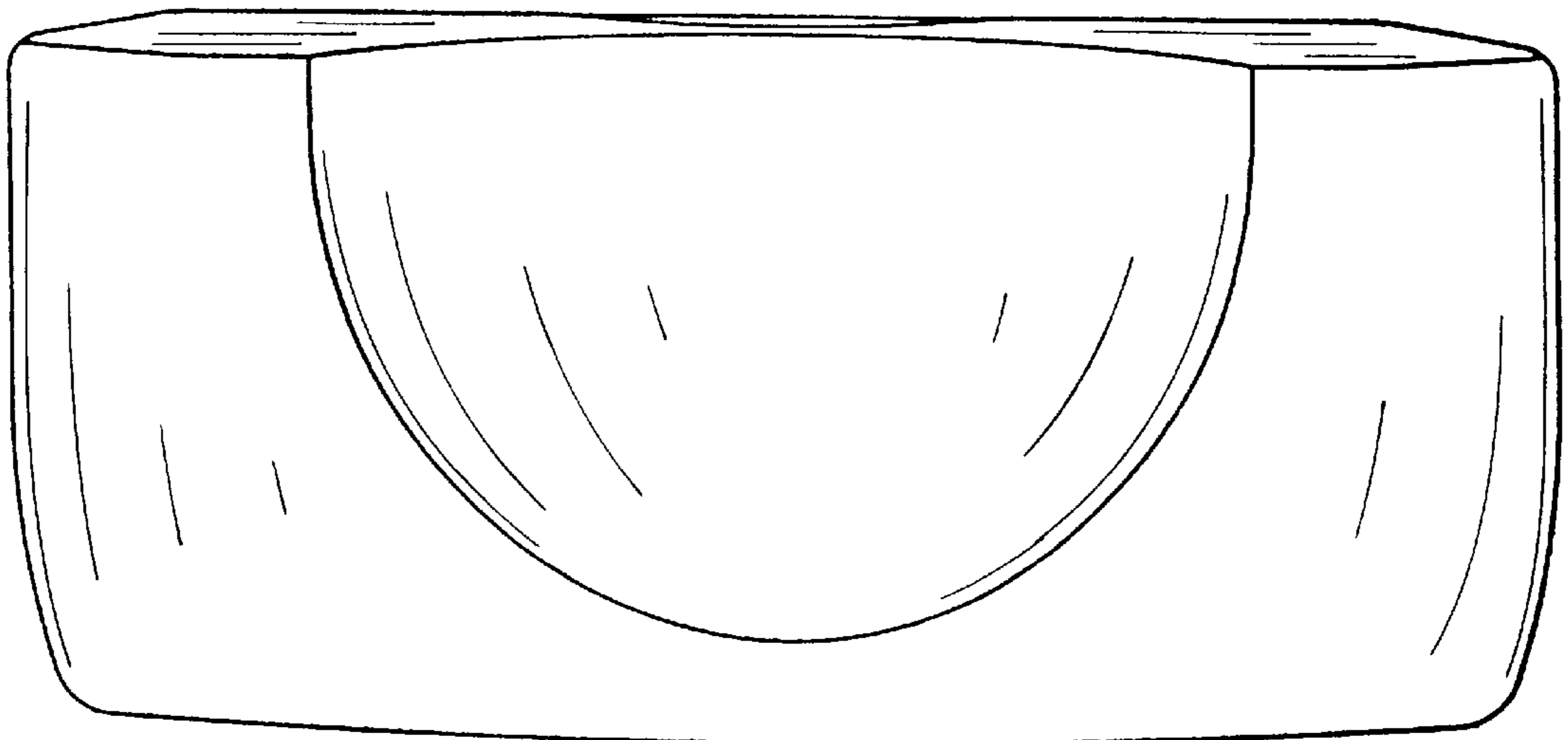


FIG. 8

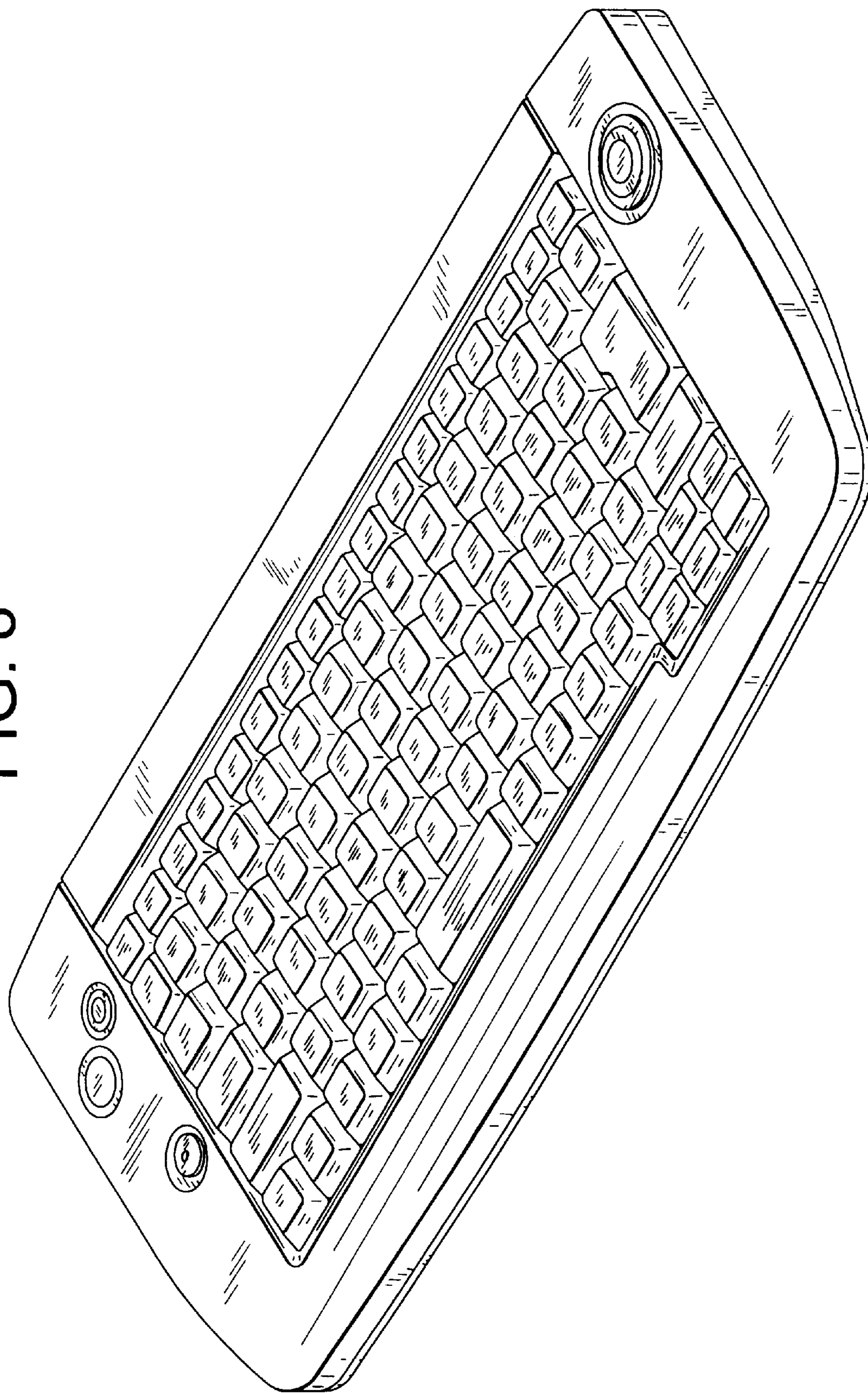


FIG. 9

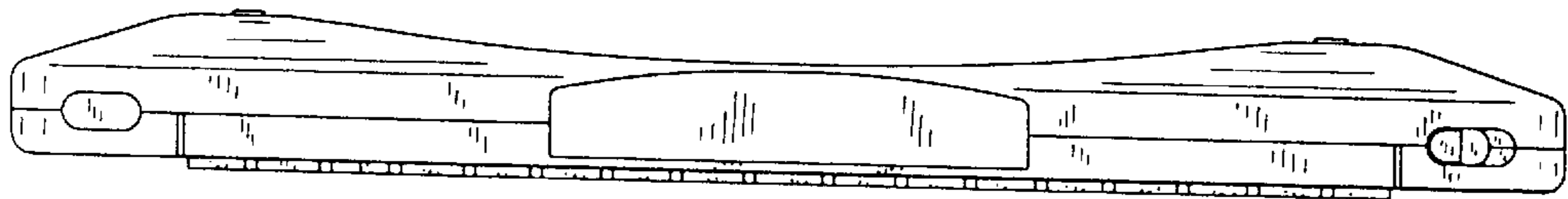


FIG. 10

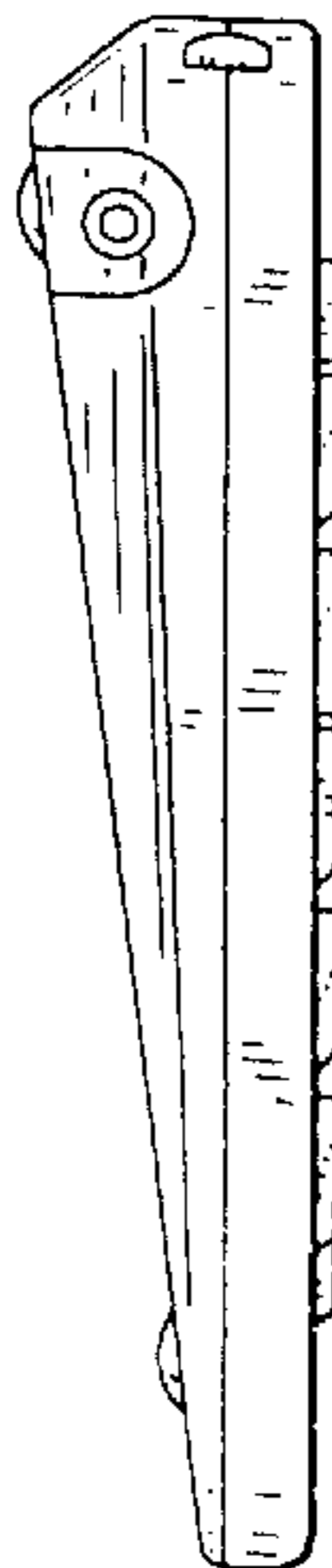


FIG. 13



FIG. 12

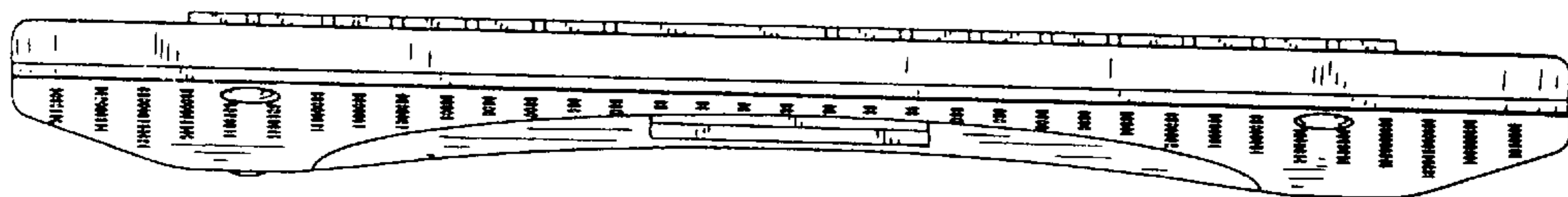


FIG. 11

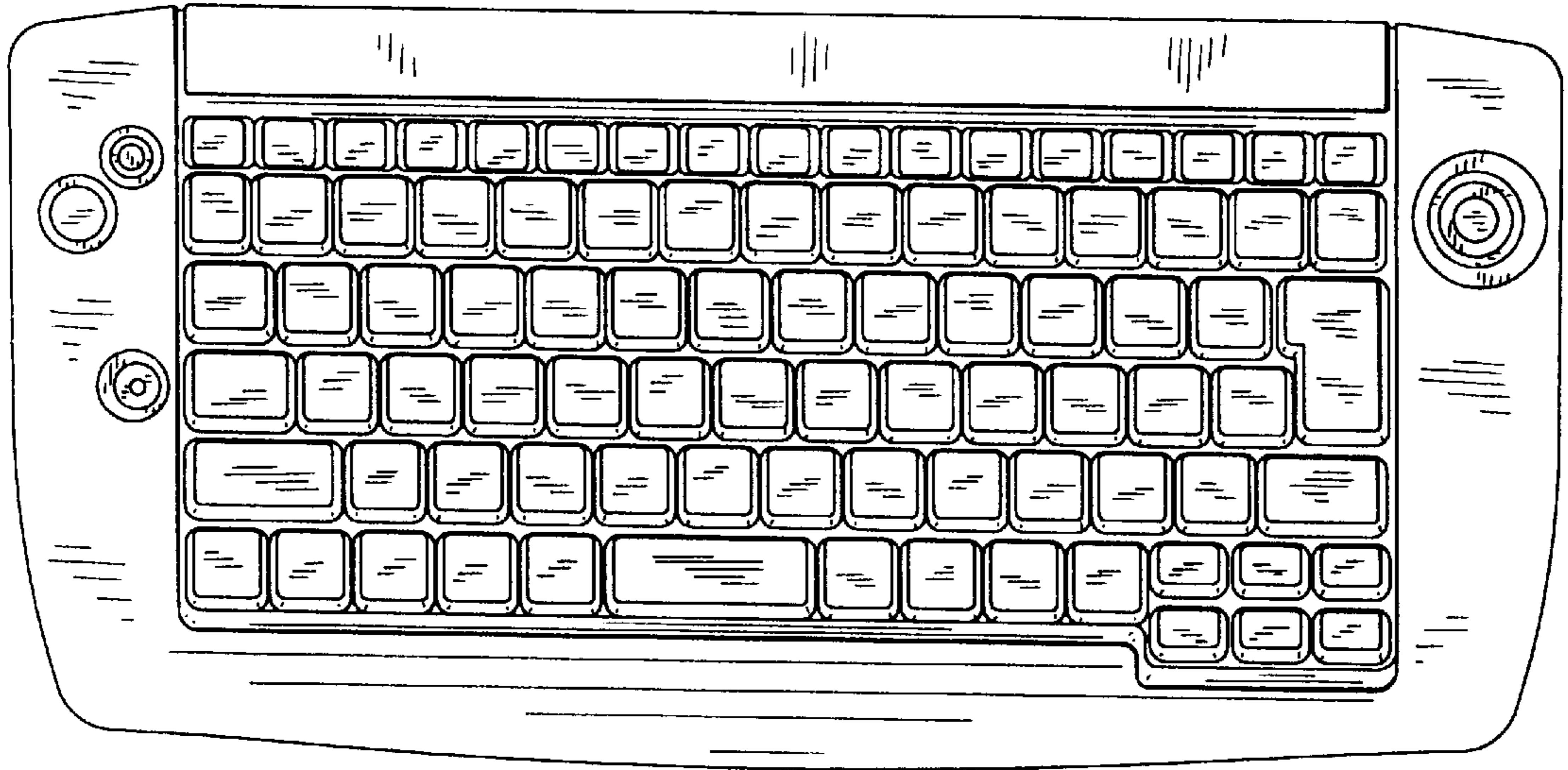


FIG. 14

