



US00D412322S

United States Patent [19] Wu

[11] **Patent Number: Des. 412,322**
[45] **Date of Patent: ** Jul. 27, 1999**

[54] **DATA PORT COUPLER**

[75] Inventor: **Jeff Wu**, Mission Viejo, Calif.

[73] Assignee: **Commercial & Industrial Design Co., Inc.**, Costa Mesa, Calif.

[**] Term: **14 Years**

[21] Appl. No.: **29/094,166**

[22] Filed: **Sep. 28, 1998**

[51] **LOC (6) Cl. 14-02**

[52] **U.S. Cl. D14/114; D13/147**

[58] **Field of Search D14/100-114;**
D21/333, 324; 439/362, 479, 626, 639,
652, 653, 651; D13/147, 146; 361/685

[56] **References Cited**

U.S. PATENT DOCUMENTS

D. 261,761	11/1981	Ingber et al.	D14/101
D. 265,992	8/1982	Hirata et al.	D14/57
D. 356,295	3/1995	Shoda et al. .	
D. 370,463	6/1996	Nagele et al.	D13/147
D. 371,768	7/1996	Kammersgard et al. .	
D. 373,994	9/1996	Kammersgard et al. .	
D. 373,995	9/1996	Kammersgard et al. .	
D. 375,724	11/1996	Kammersgard et al. .	
D. 382,857	8/1997	Chen et al.	D13/147
D. 384,329	9/1997	Kammersgard et al. .	

4,950,178	8/1990	Harvey et al. .
5,227,957	7/1993	Deters .
5,737,189	4/1998	Kammersgard et al. .

Primary Examiner—Kay H. Chin
Attorney, Agent, or Firm—Knobbe, Martens, Olson & Bear LLP

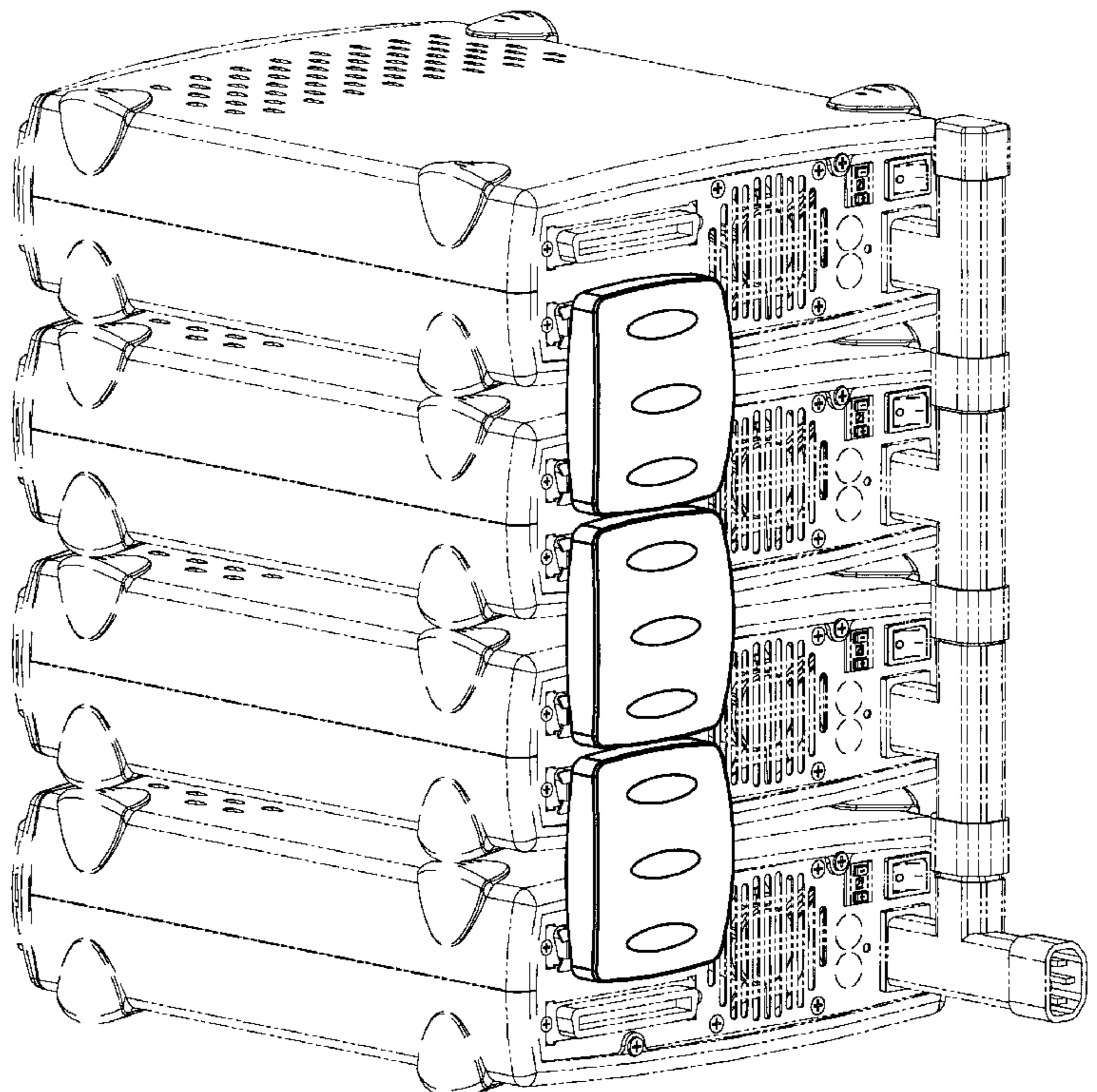
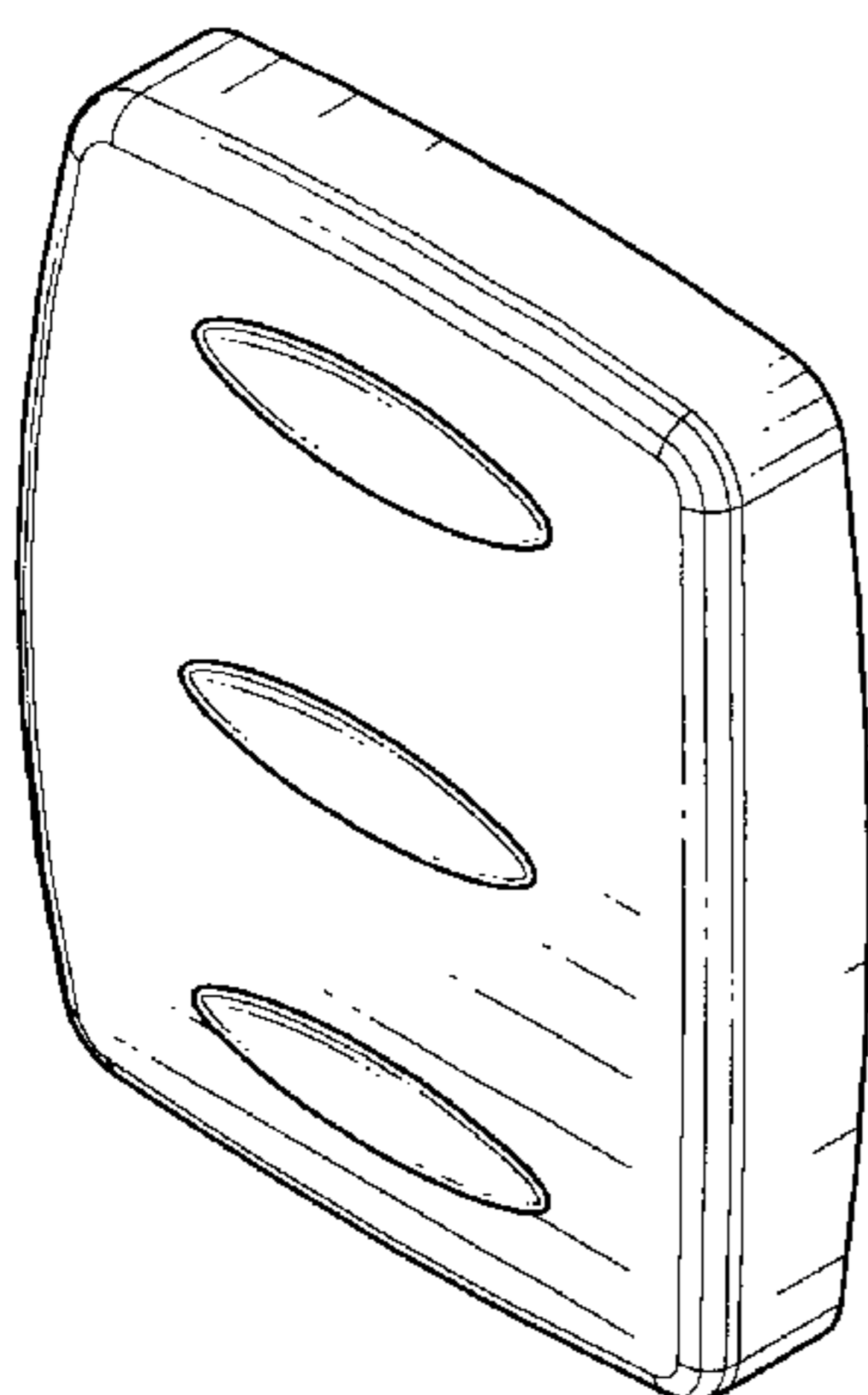
[57] **CLAIM**

The ornamental design for a data port coupler, as shown and described.

DESCRIPTION

FIG. 1 is a front perspective view of a data port coupler showing my new design;
FIG. 2 is a front elevational view thereof;
FIG. 3 is a right side elevational view thereof, the left side view being a mirror image of that shown;
FIG. 4 is a rear elevational view thereof;
FIG. 5 is a bottom plan view thereof, the top plan view being a mirror image of that shown;
FIG. 6 is a rear perspective view thereof;
FIG. 7 is a another rear perspective view thereof showing the coupler use with alternative electrical connectors; and,
FIG. 8 is a perspective view of multiple data port couplers showing the use thereof.
The broken lines shown in FIGS. 3 through 8 are for illustrative purposes only and form no part of the claimed design.

1 Claim, 3 Drawing Sheets



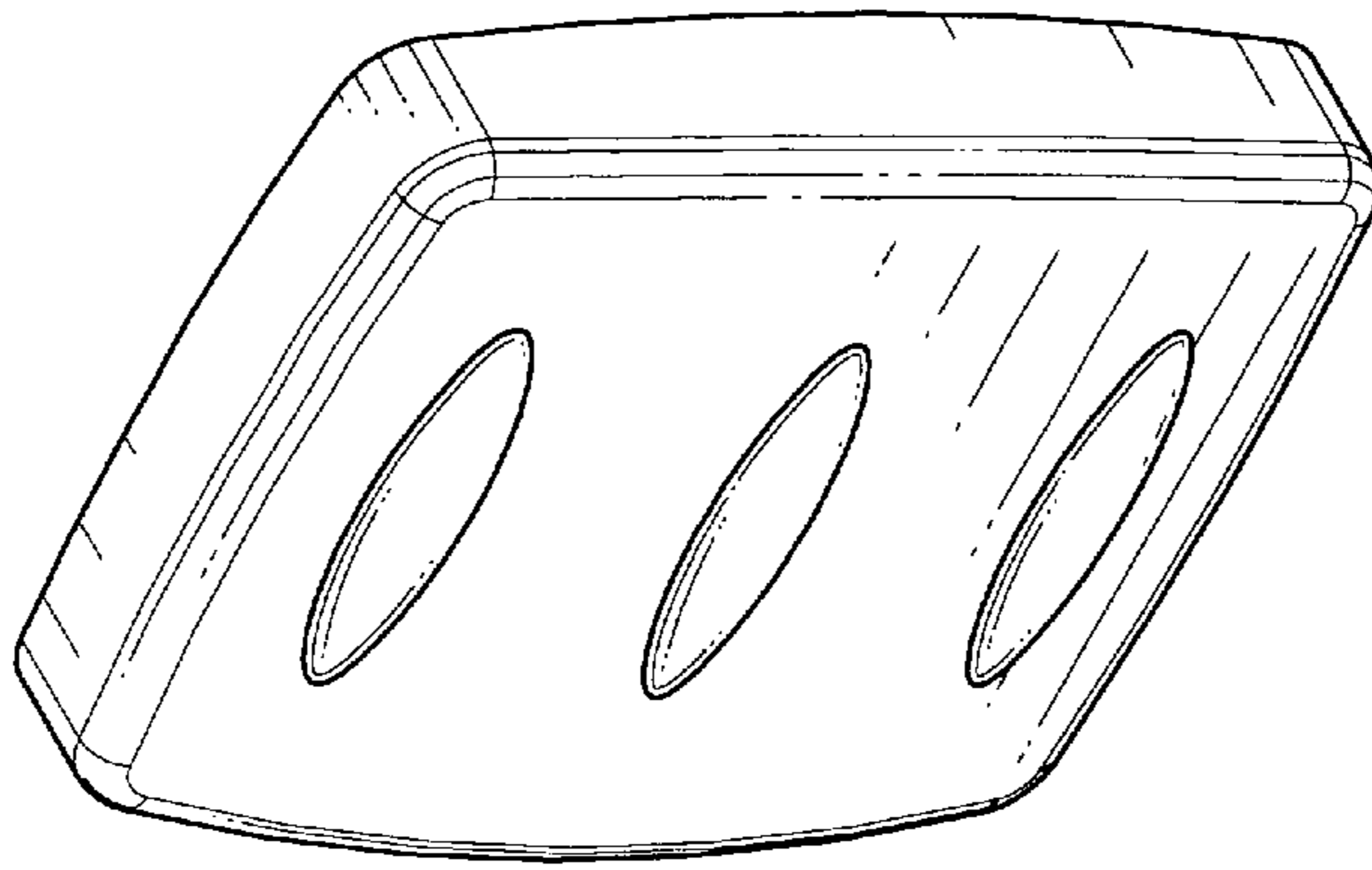


FIG. 1

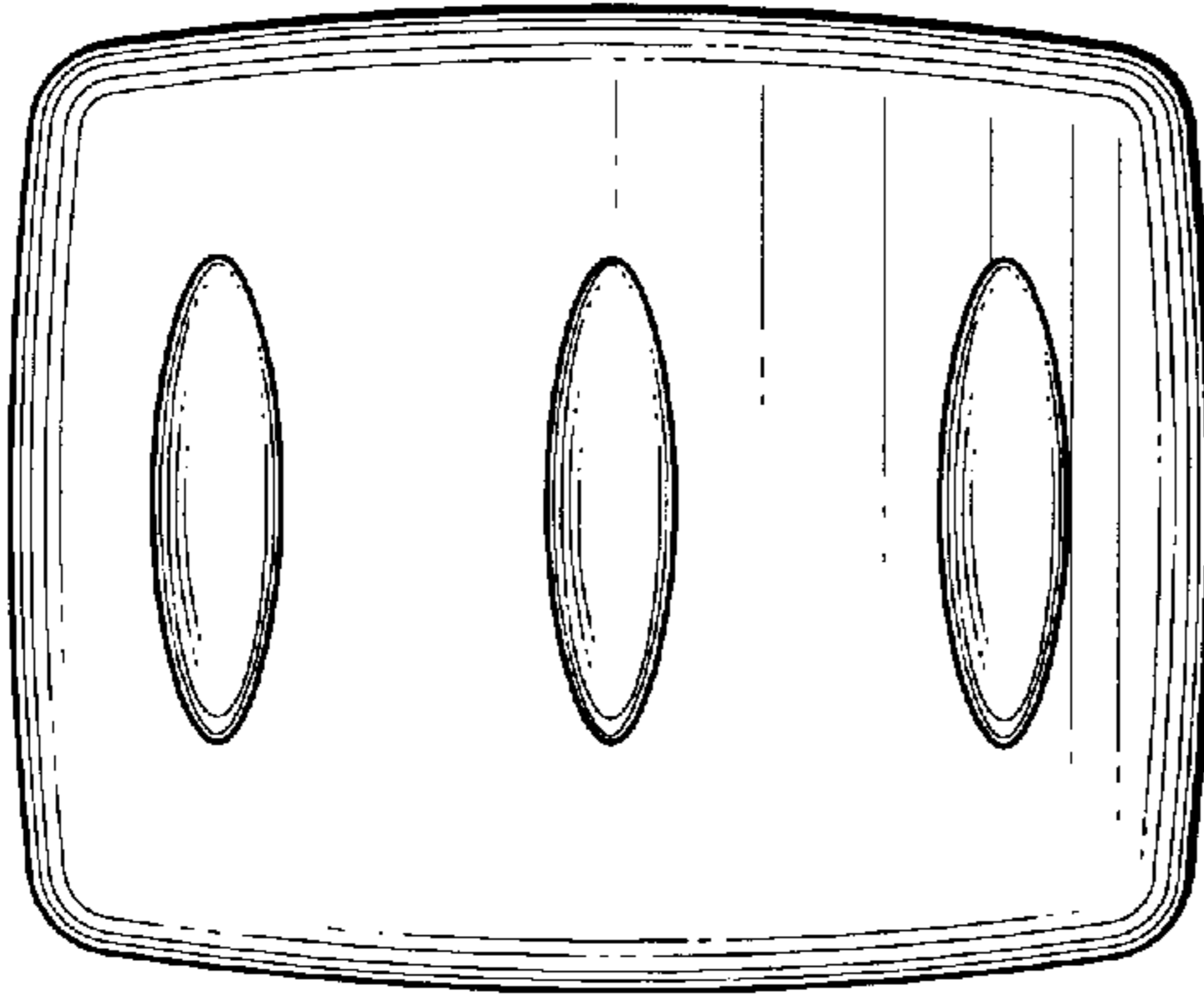


FIG. 2

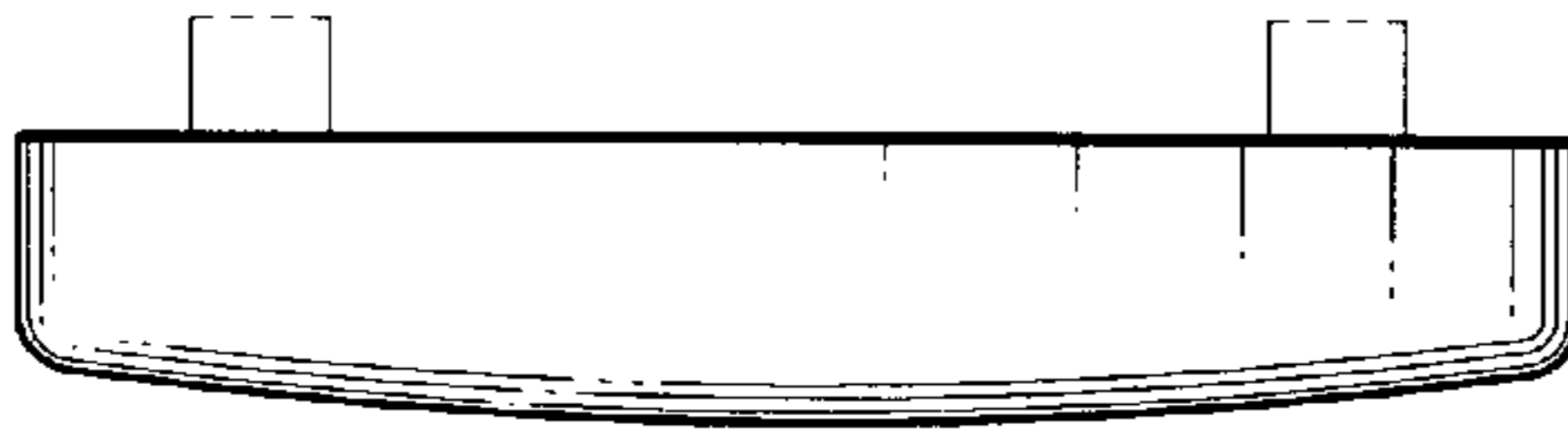


FIG. 3

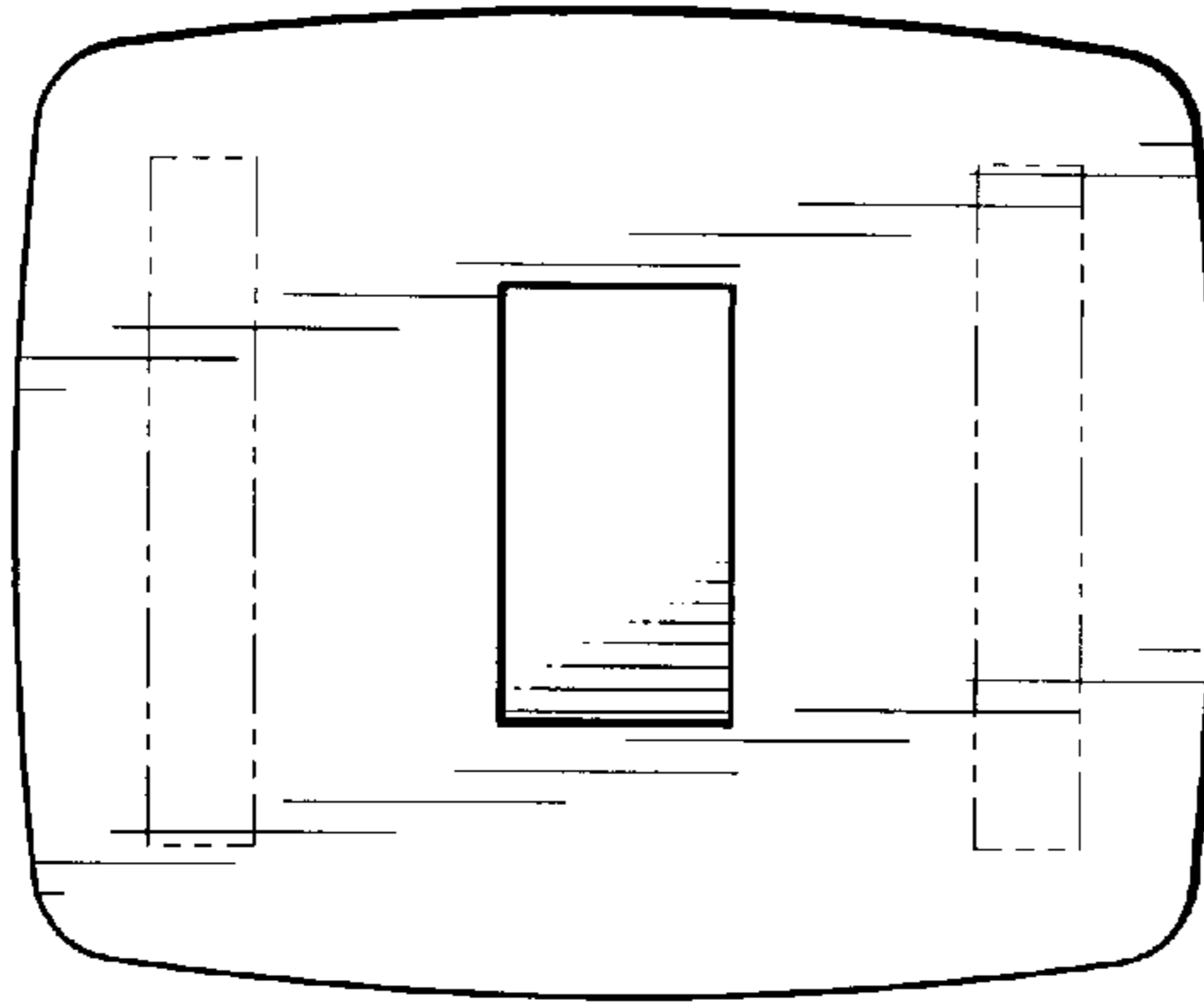


FIG. 4

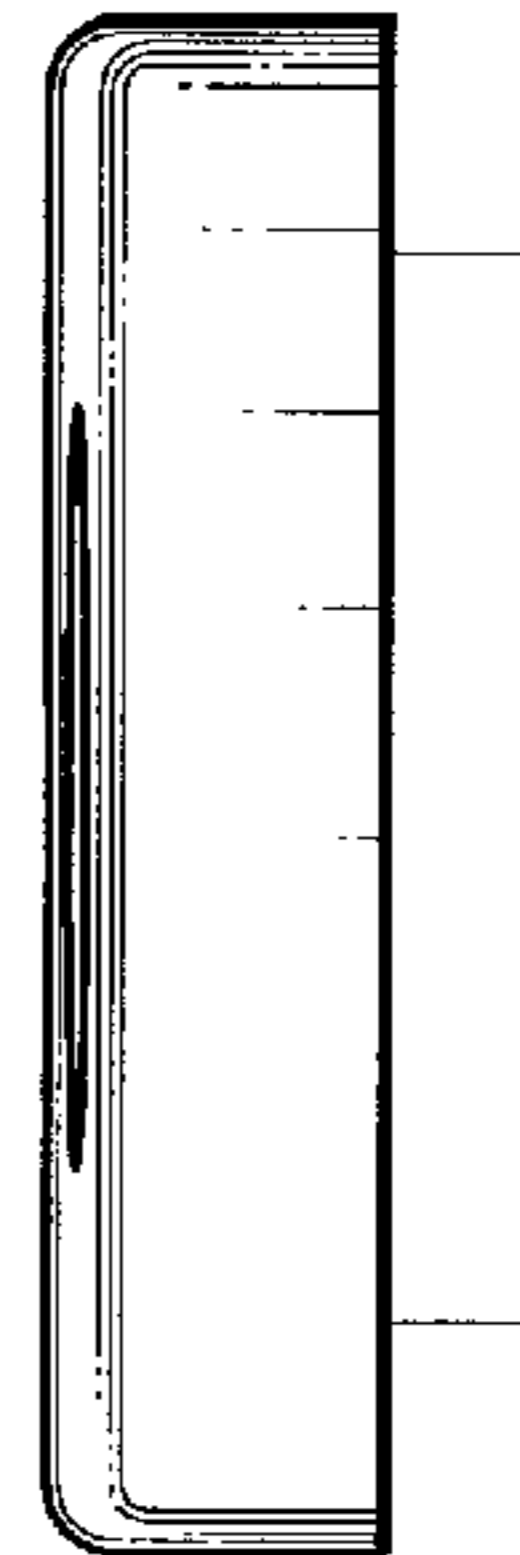


FIG. 5

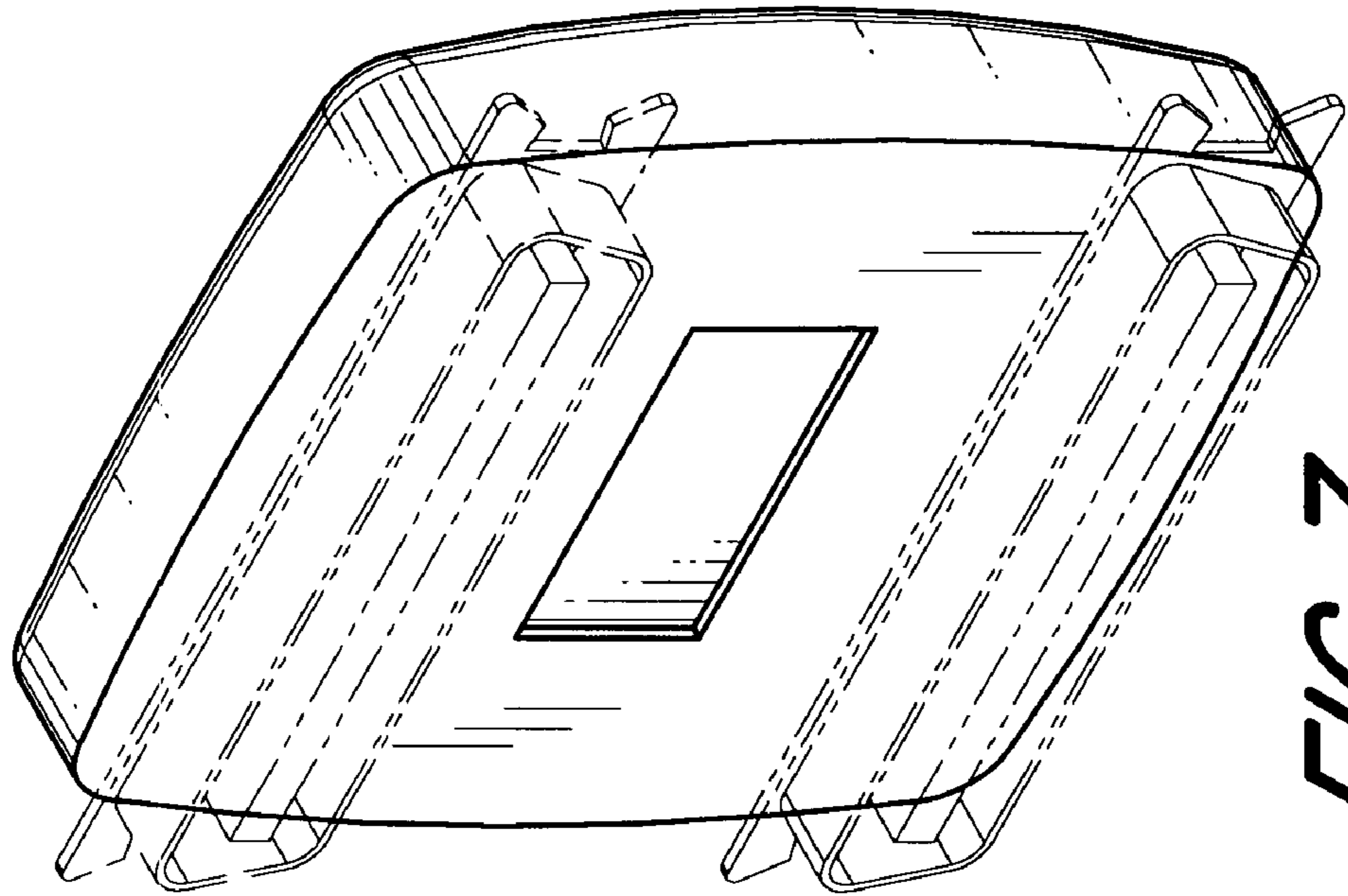


FIG. 7

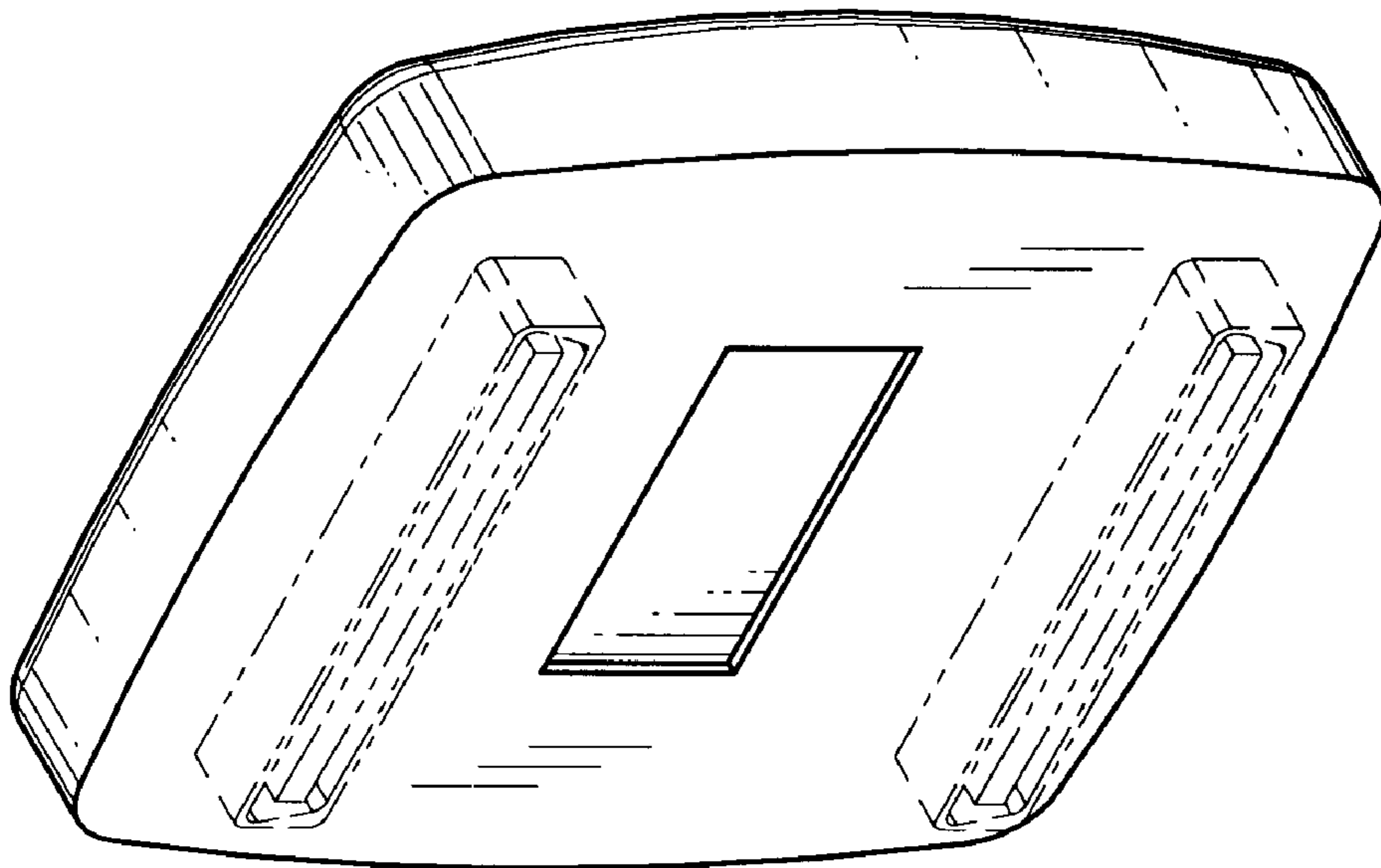


FIG. 6

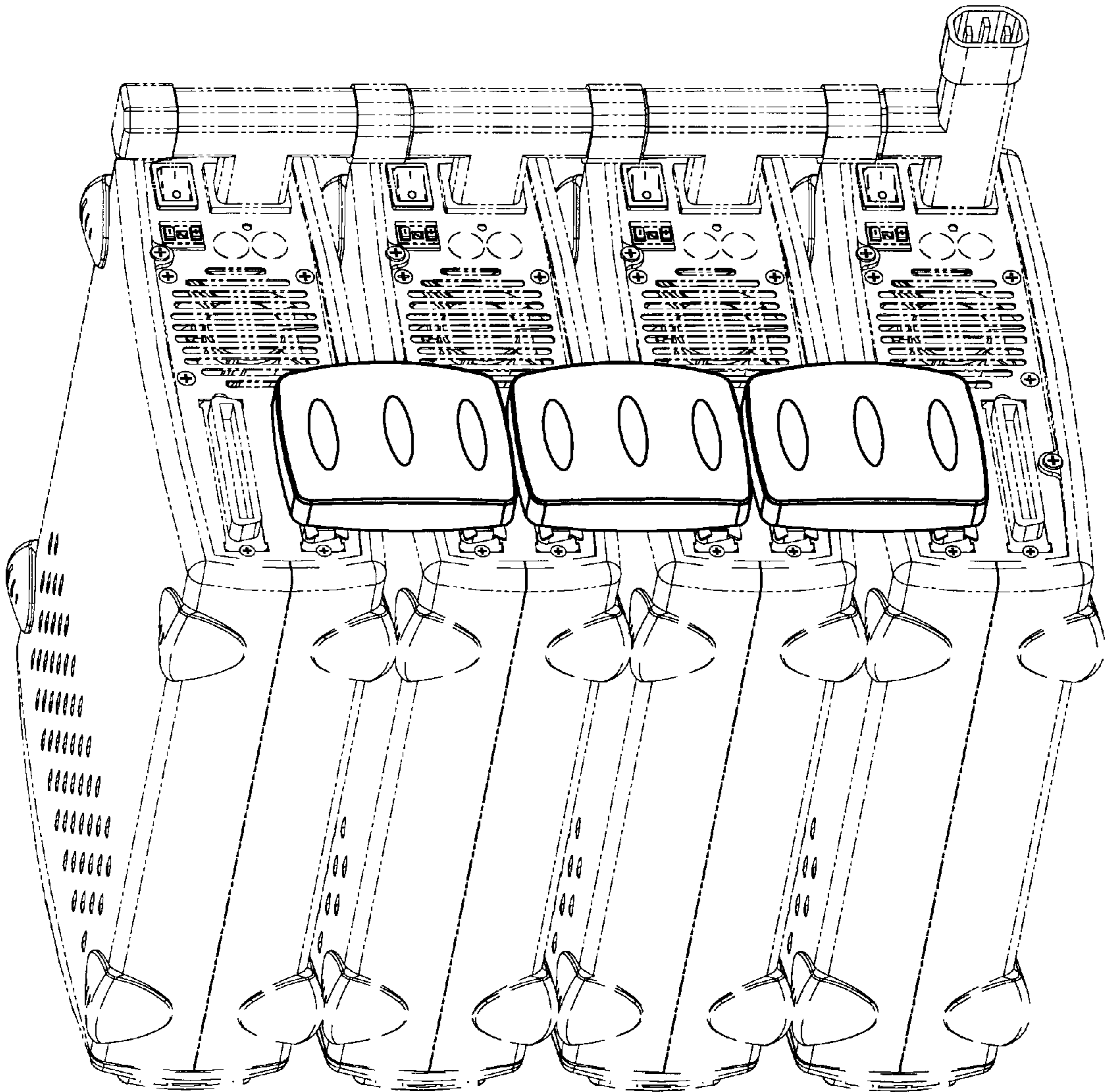


FIG. 8