



US00D412321S

United States Patent [19]
Wu

[11] **Patent Number: Des. 412,321**
[45] **Date of Patent: ** Jul. 27, 1999**

[54] **PROTECTING COVER FOR COMPUTER KEYBOARDS**

D. 302,425 7/1989 La Budde et al. D14/114
5,833,378 11/1998 Gibson 400/472

[76] Inventor: **Robert Wu**, P.O. Box 63-247,
Taichung, Taiwan

Primary Examiner—Kay H. Chin
Attorney, Agent, or Firm—Charles E. Baxley, Esq.

[**] Term: **14 Years**

[57] **CLAIM**

[21] Appl. No.: **29/089,725**

The ornamental design for the protecting cover for computer keyboards, as shown and described.

[22] Filed: **Jun. 22, 1998**

DESCRIPTION

[51] **LOC (6) Cl.** **14-02**

[52] **U.S. Cl.** **D14/114**

[58] **Field of Search** D14/100-117.9;
400/75, 715, 472; 248/917-924, 118, 118.1,
118.3, 118.5, 346.01; 244/202

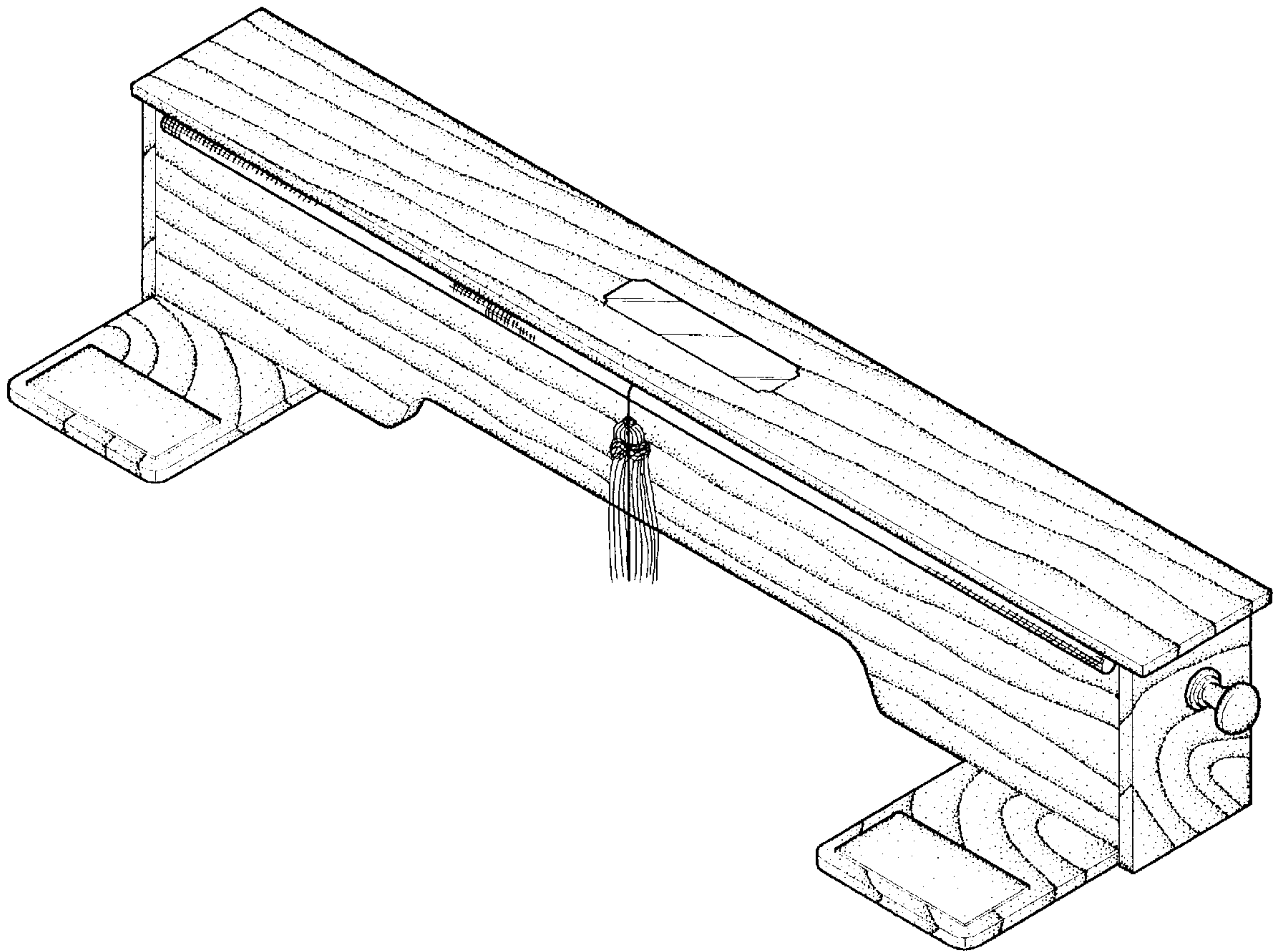
FIG. 1 is a perspective view of a the protecting cover for computer keyboards showing my new design;
FIG. 2 is a front elevational view thereof;
FIG. 3 is a rear elevational view thereof;
FIG. 4 is a left elevational view thereof; the opposite side being a mirror image of the shown;
FIG. 5 is a top plan view thereof; and,
FIG. 6 is bottom plan view thereof.

[56] **References Cited**

U.S. PATENT DOCUMENTS

D. 275,755 10/1984 Cottrill et al. D14/100

1 Claim, 5 Drawing Sheets



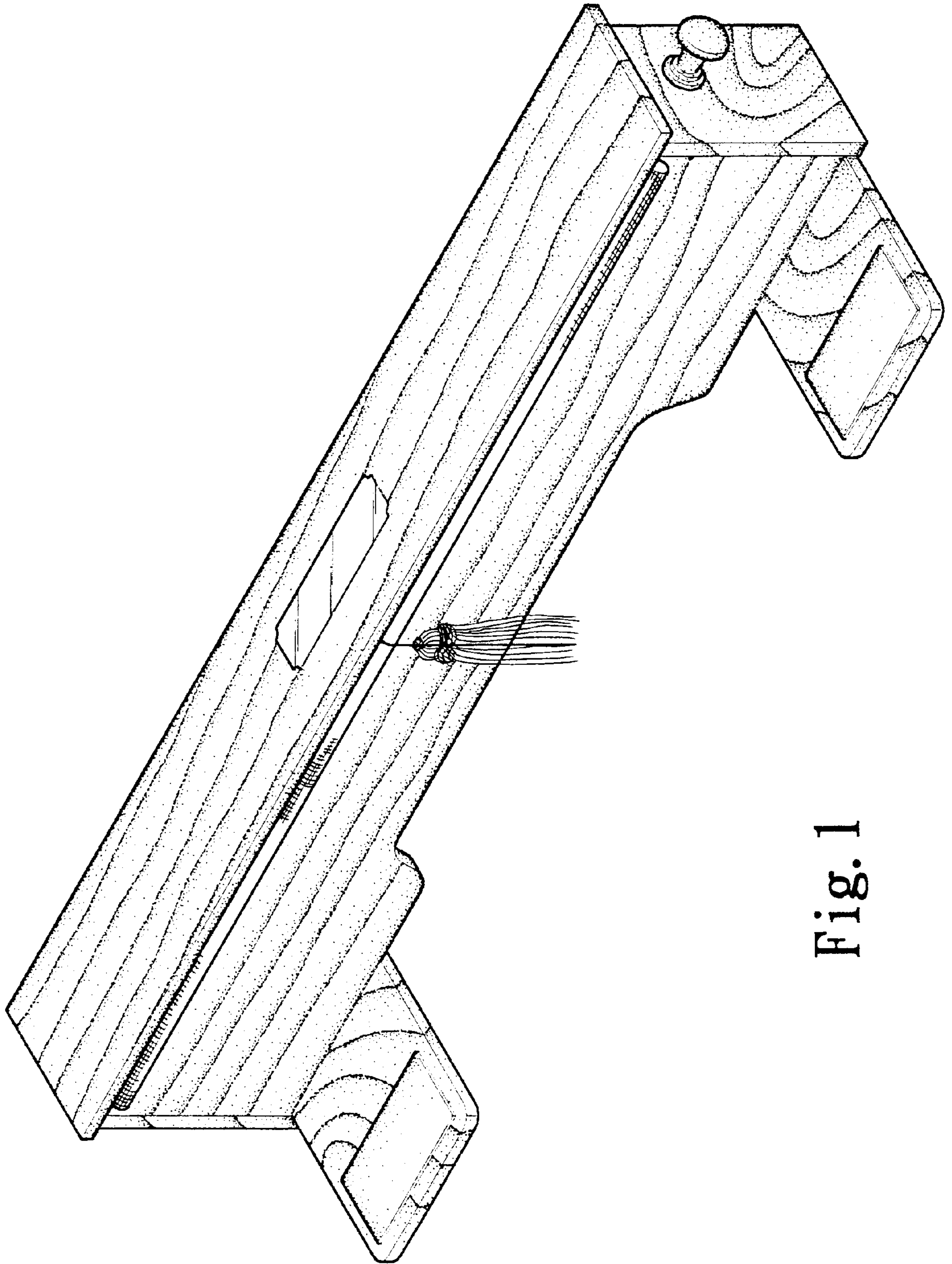


Fig. 1

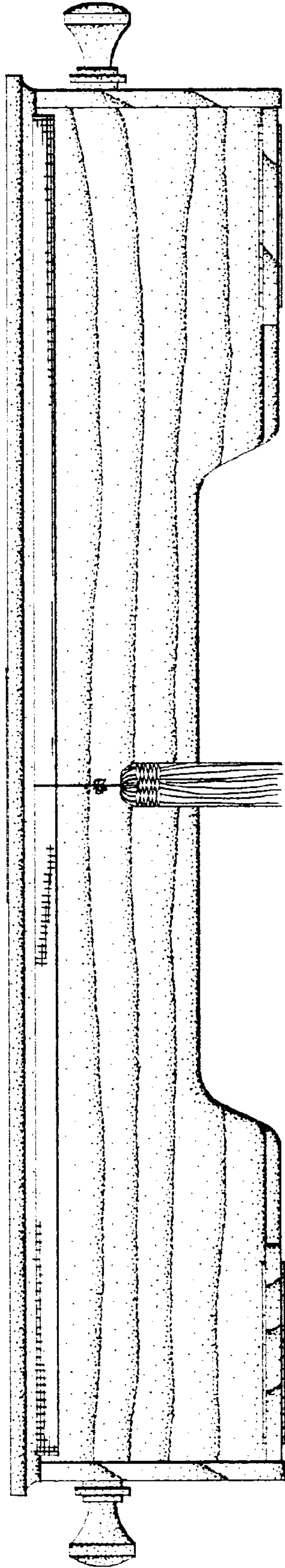


Fig. 2

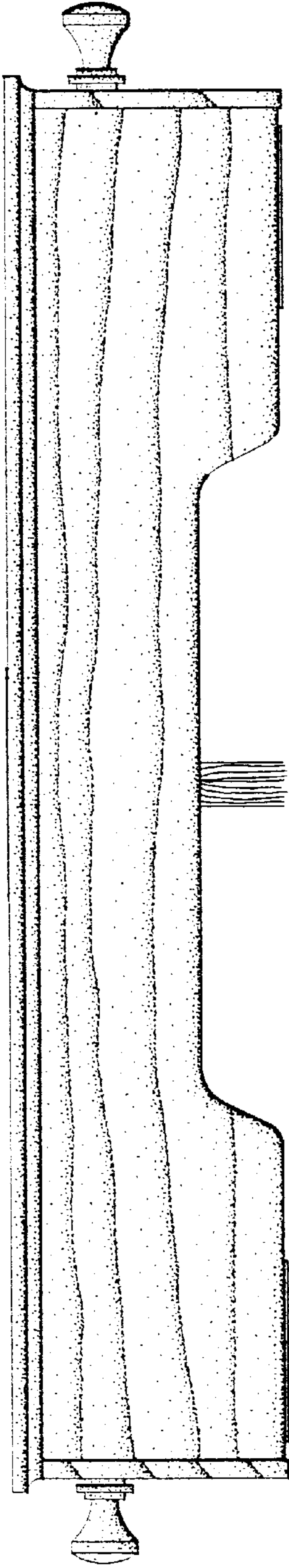


Fig. 3

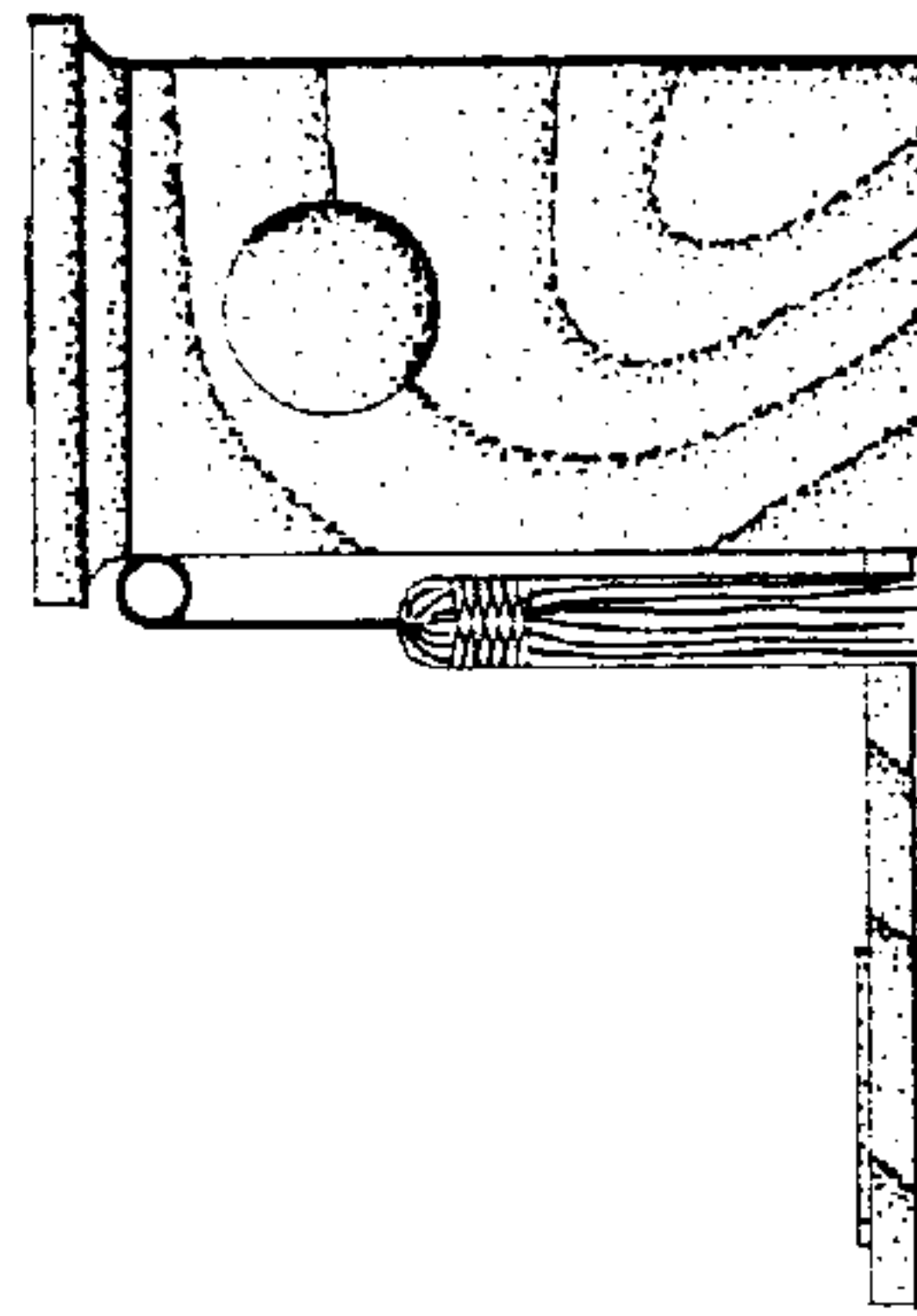


Fig. 4

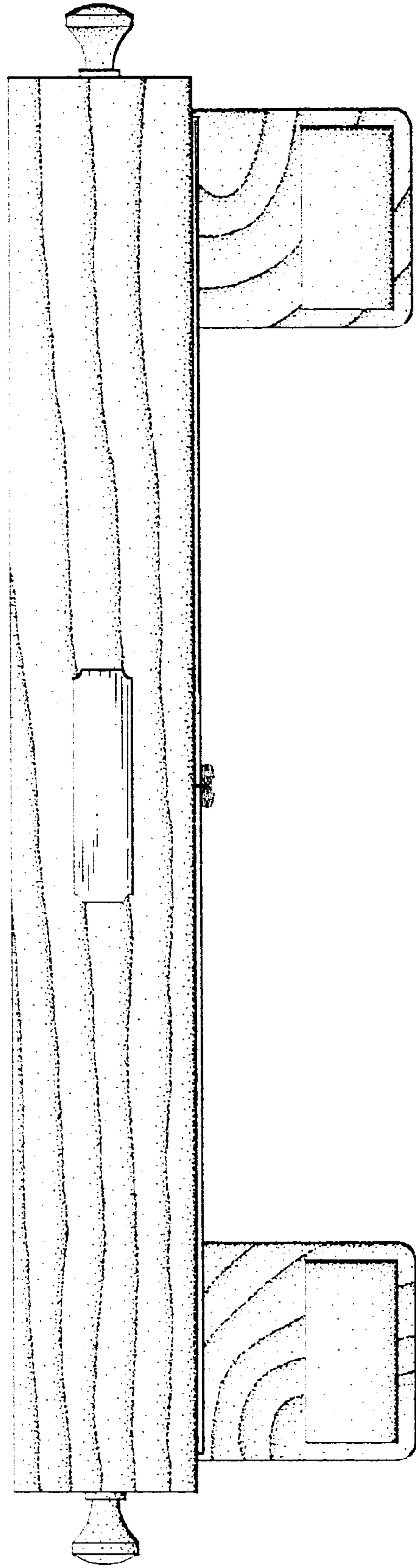


Fig. 5

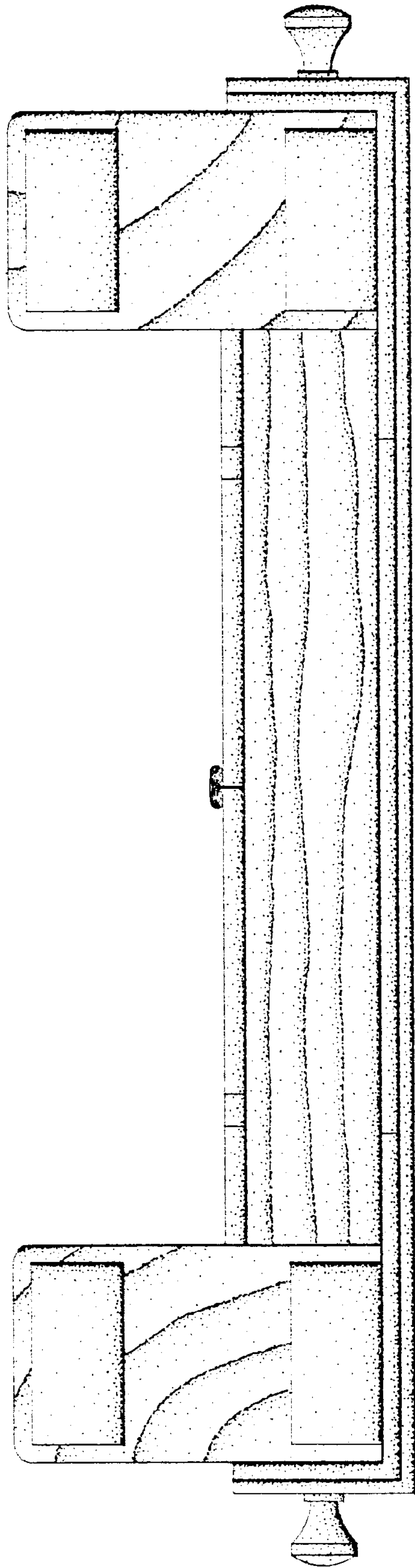


Fig. 6