



US00D412319S

United States Patent [19]

Lee et al.

[11] Patent Number: **Des. 412,319**

[45] Date of Patent: **** Jul. 27, 1999**

[54] **DOCKING DEVICE FOR PORTABLE COMPUTER**

[75] Inventors: **Chia-Chun Lee; Ming-Hsun Chou; Jui-Jung Huang; Chih-Wen Chiang**, all of Taipei, Taiwan

[73] Assignee: **Compal Electronics, Inc.**, Taipei, Taiwan

[**] Term: **14 Years**

[21] Appl. No.: **29/094,700**

[22] Filed: **Oct. 8, 1998**

[51] **LOC (6) Cl.** **14-02**

[52] **U.S. Cl.** **D14/107**

[58] **Field of Search** D14/100, 107, D14/118; D18/36, 37, 39; D16/208, 214, 223, 232, 202; 250/556; 235/454, 470, 476, 482; 355/64, 65, 75, 81

[56] **References Cited**

U.S. PATENT DOCUMENTS

D. 359,034 6/1995 Kondo D14/107

D. 369,789 5/1996 Lucente, II et al. D14/107
D. 371,769 7/1996 Shima et al. D14/107
D. 391,928 3/1998 Kondo et al. D14/107
D. 391,931 3/1998 Iino D14/107
D. 396,454 7/1998 Shima et al. D14/114

Primary Examiner—Freda Nunn
Attorney, Agent, or Firm—Bacon & Thomas, PPLC

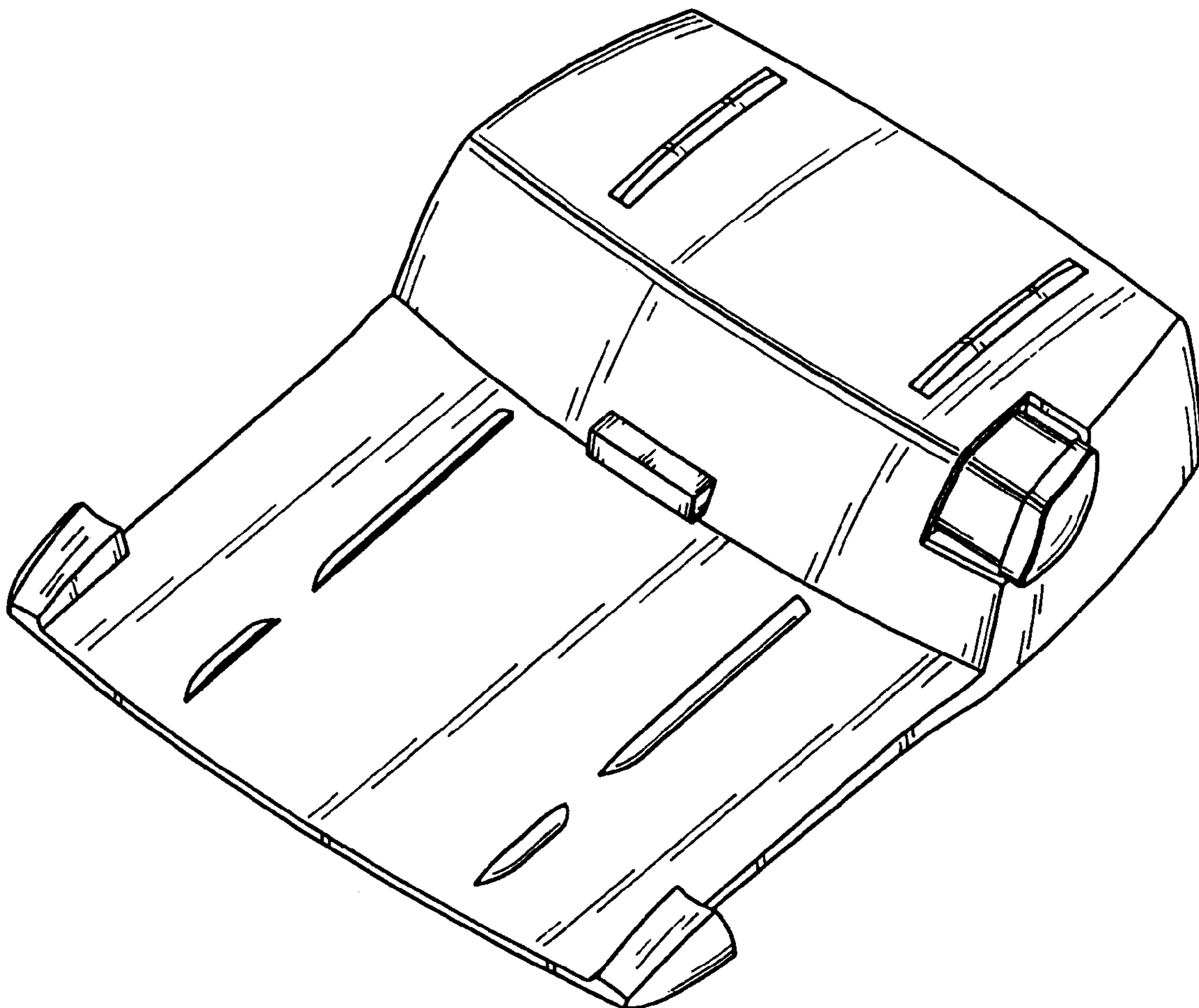
[57] **CLAIM**

The ornamental design for a docking device for portable computer, as shown and described.

DESCRIPTION

FIG. 1 is a perspective view showing our new design for a docking device for portable computer;
FIG. 2 is a front elevational view thereof;
FIG. 3 is a rear elevational view thereof;
FIG. 4 is a left side elevational view thereof;
FIG. 5 is a right side elevational view thereof;
FIG. 6 is a top view thereof; and,
FIG. 7 is a bottom view thereof.

1 Claim, 4 Drawing Sheets



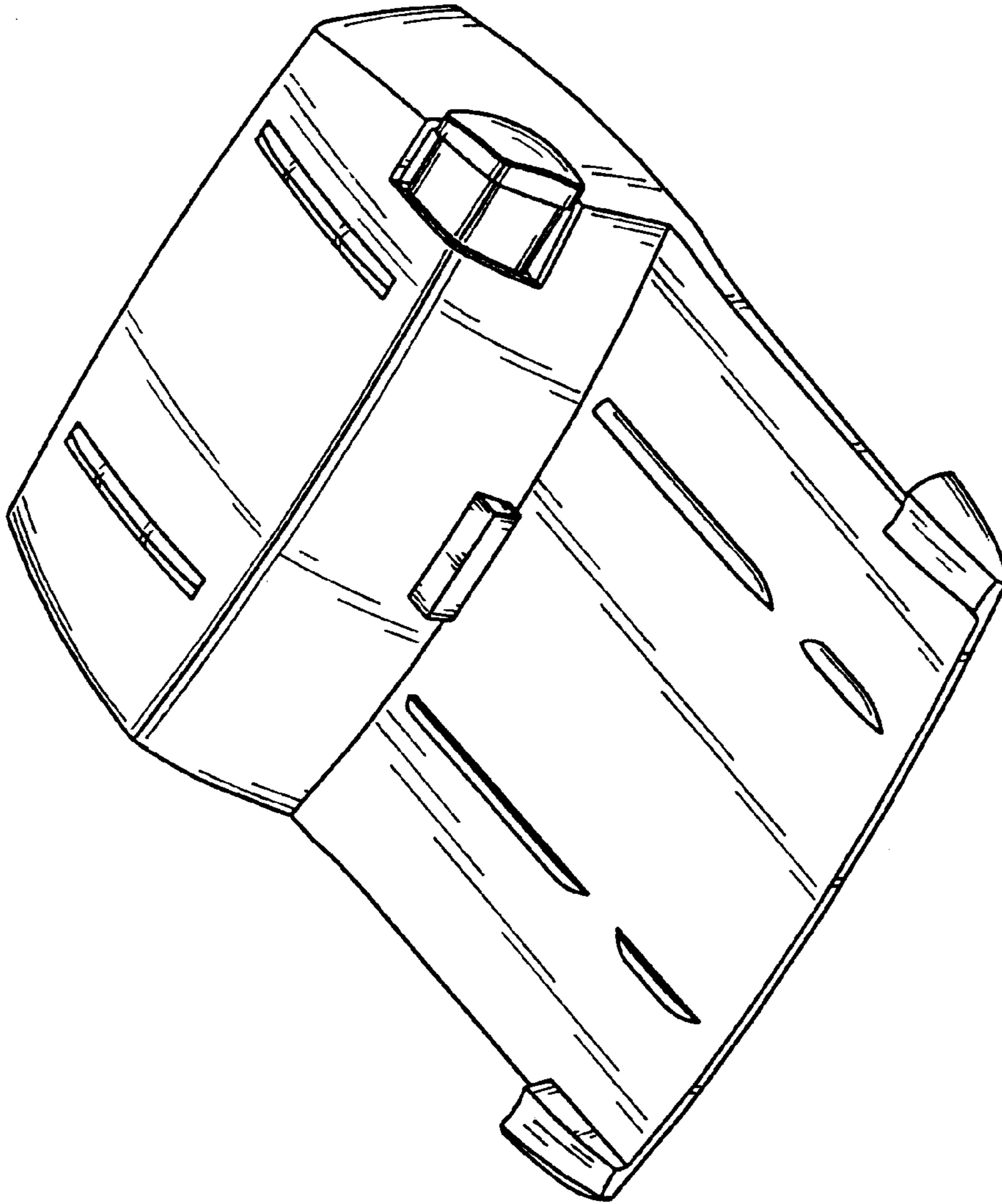


Fig.1

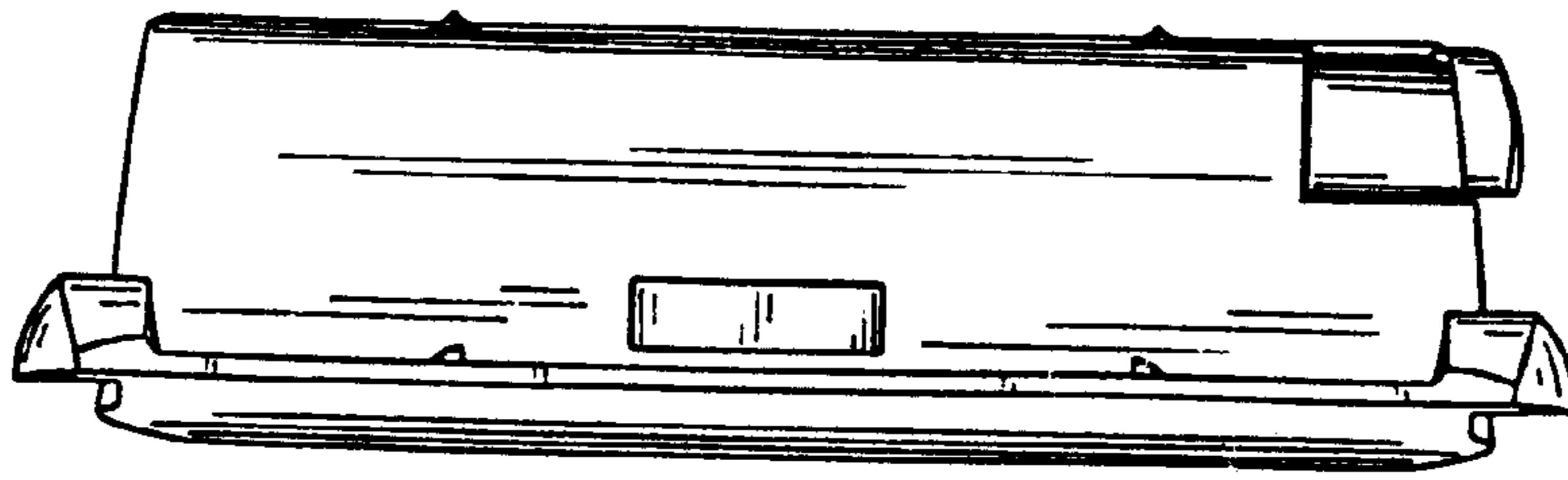


Fig.2

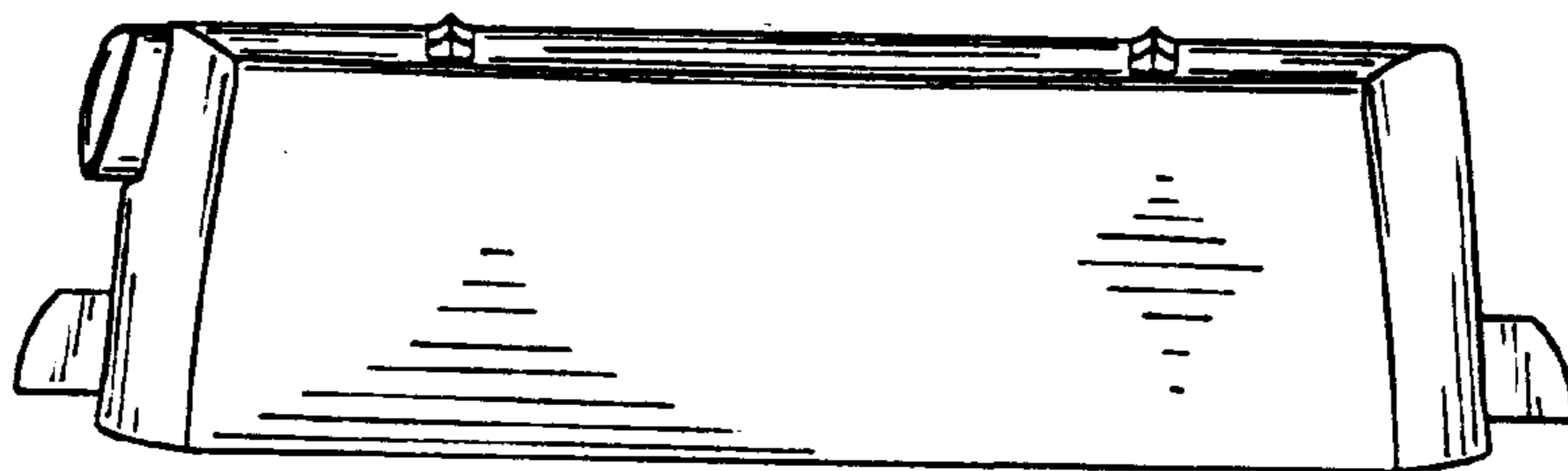


Fig.3

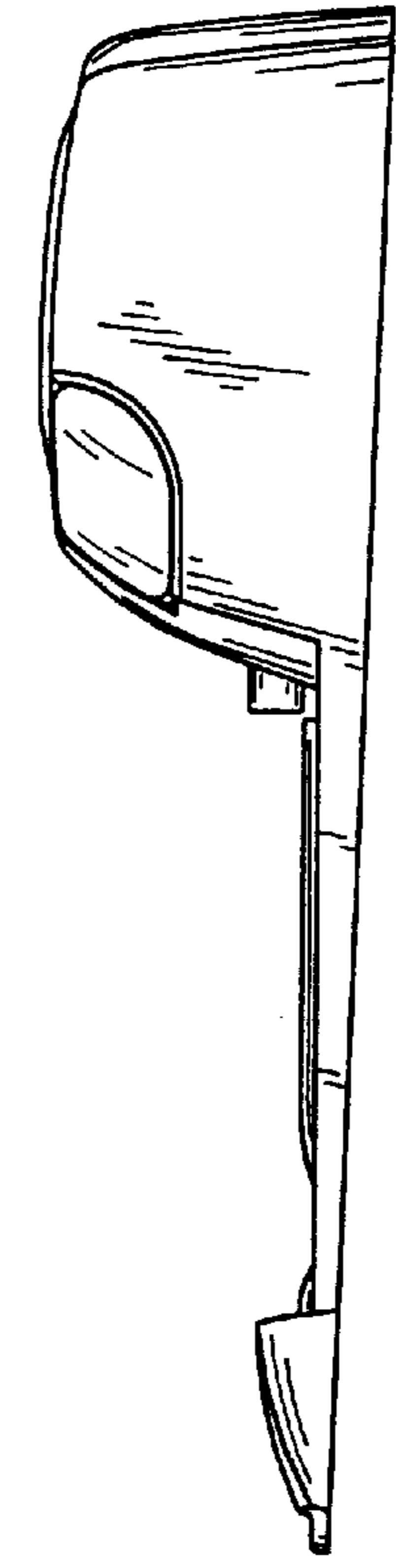


Fig.5

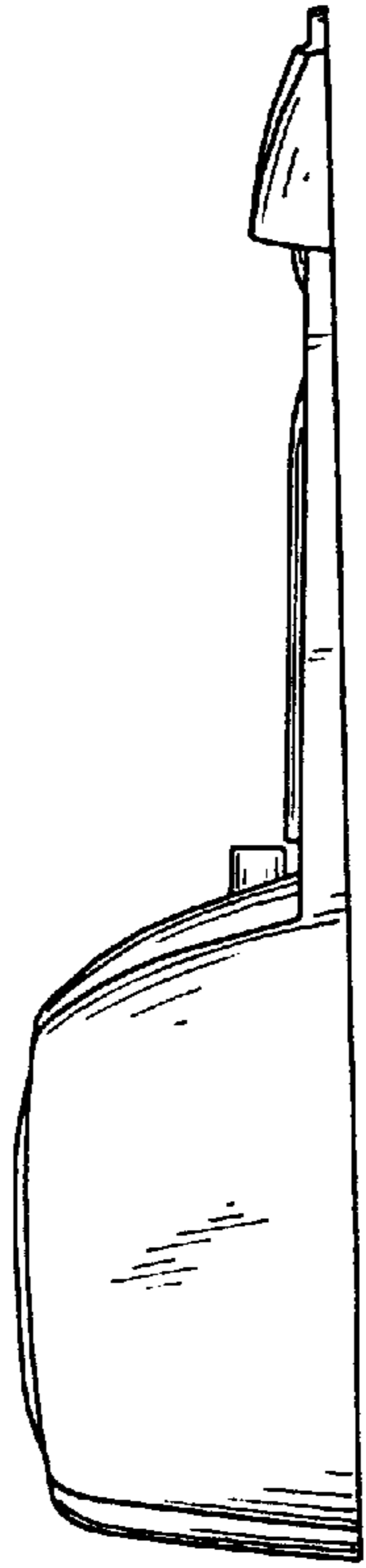


Fig.4

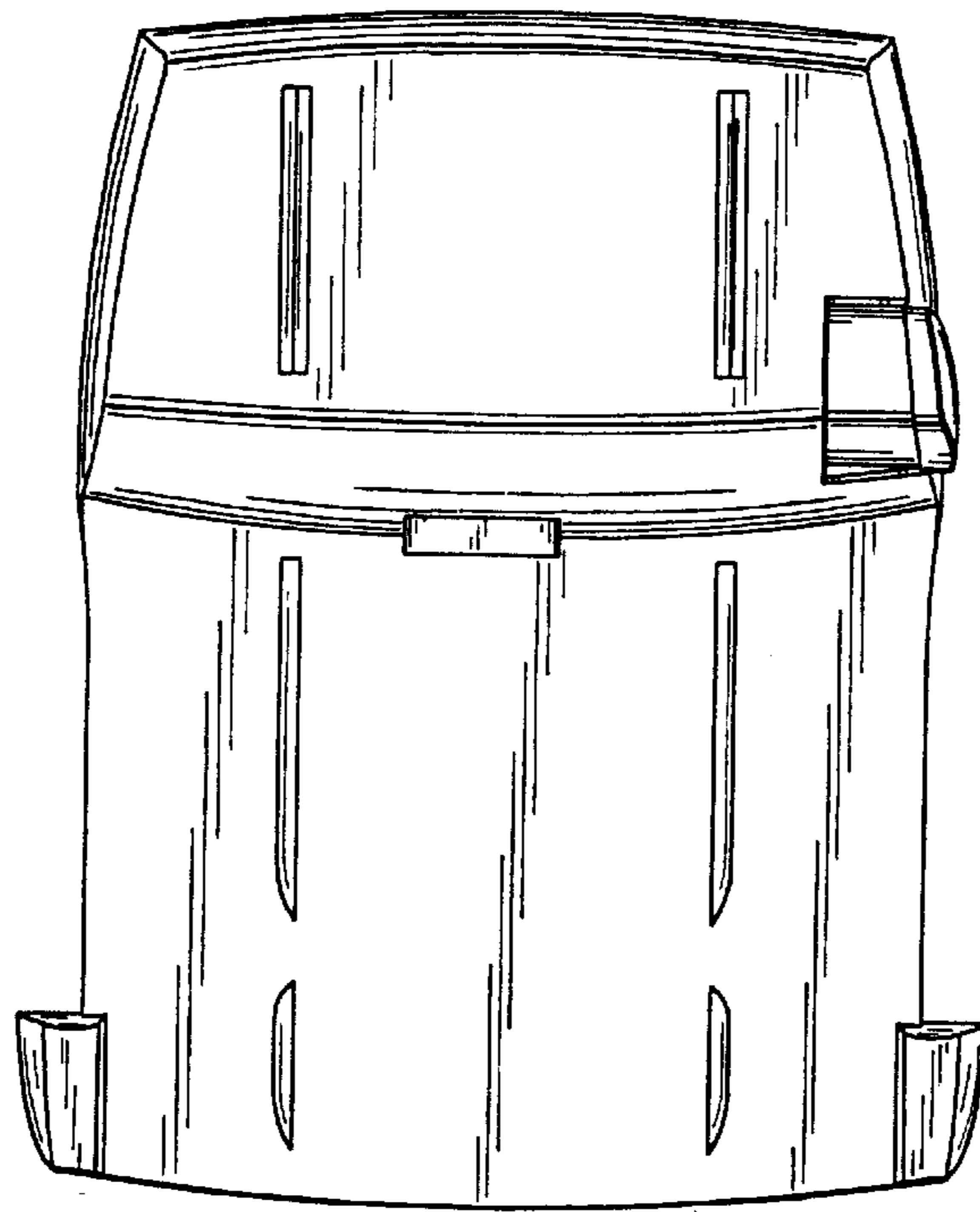


Fig.6

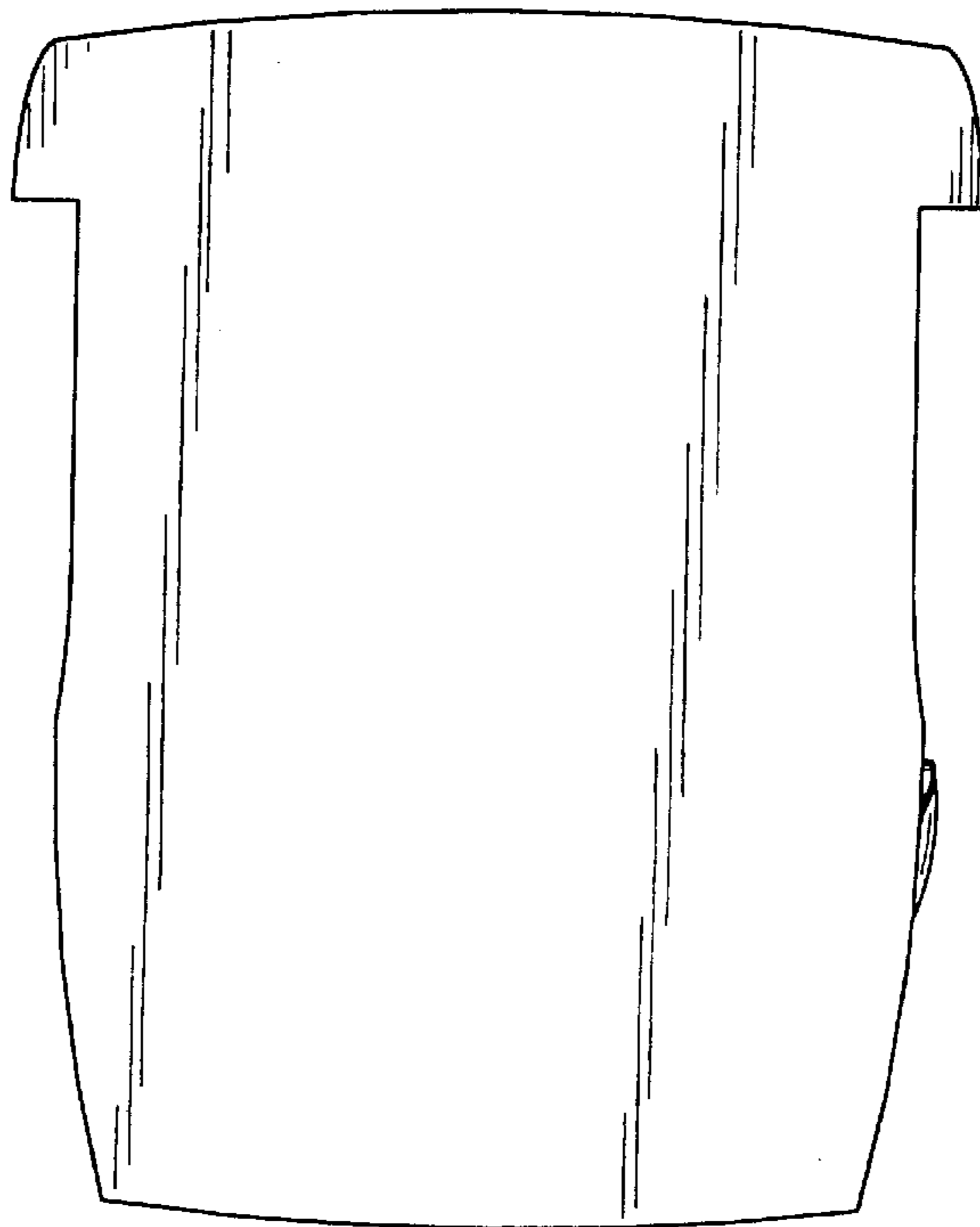


Fig.7