



US00D412314S

United States Patent [19] Lee

[11] **Patent Number: Des. 412,314**
[45] **Date of Patent: ** Jul. 27, 1999**

[54] **ELECTRICAL CABLE CONNECTOR BOOT**

[75] Inventor: **Noel Lee**, Dallas, Tex.

[73] Assignee: **Monster Cable Products, Inc.**,
Brisbane, Calif.

[**] Term: **14 Years**

[21] Appl. No.: **29/081,443**

[22] Filed: **Jan. 2, 1998**

Related U.S. Application Data

[51] **LOC (6) Cl.** **13-03**

[52] **U.S. Cl.** **D13/156**

[58] **Field of Search** D13/156, 154;
174/138 F, 135; 439/892, 901, 447, 135

[56] References Cited

U.S. PATENT DOCUMENTS

D. 303,656	9/1989	Wong et al.	D13/154
D. 379,177	5/1997	Chu	D13/156
2,665,673	1/1954	Woofter	174/138 F X
5,334,044	8/1994	Falossi et al.	439/447 X
5,344,337	9/1994	Ritter	439/447
5,462,457	10/1995	Schroepfer et al.	439/447 X
5,494,457	2/1996	Kunz	439/447
5,620,335	4/1997	Siemon	439/447 X
5,685,736	11/1997	Lung	439/447

Primary Examiner—Joel Sincavage
Attorney, Agent, or Firm—LaRiviere, Grubman & Payne,
LLP

[57] CLAIM

The ornamental design for an electrical cable connector boot, as shown and described.

DESCRIPTION

A portion of the disclosure of this patent document contains material to which a claim for copyright is made. The copyright owner has no objection to the facsimile reproduction by anyone of the patent document or the patent disclosure, as it appears in the Patent and Trademark Office patent file or records, but reserves all other copyright rights whatsoever.

FIG. 1 is a perspective view of the electrical cable connector boot according to the present invention.

FIG. 2 is a left side view of the electrical cable connector boot shown in FIG. 1.

FIG. 3 is a right side view of the electrical cable connector boot shown in FIG. 1.

FIG. 4 is a top view of the electrical cable connector boot shown in FIG. 1.

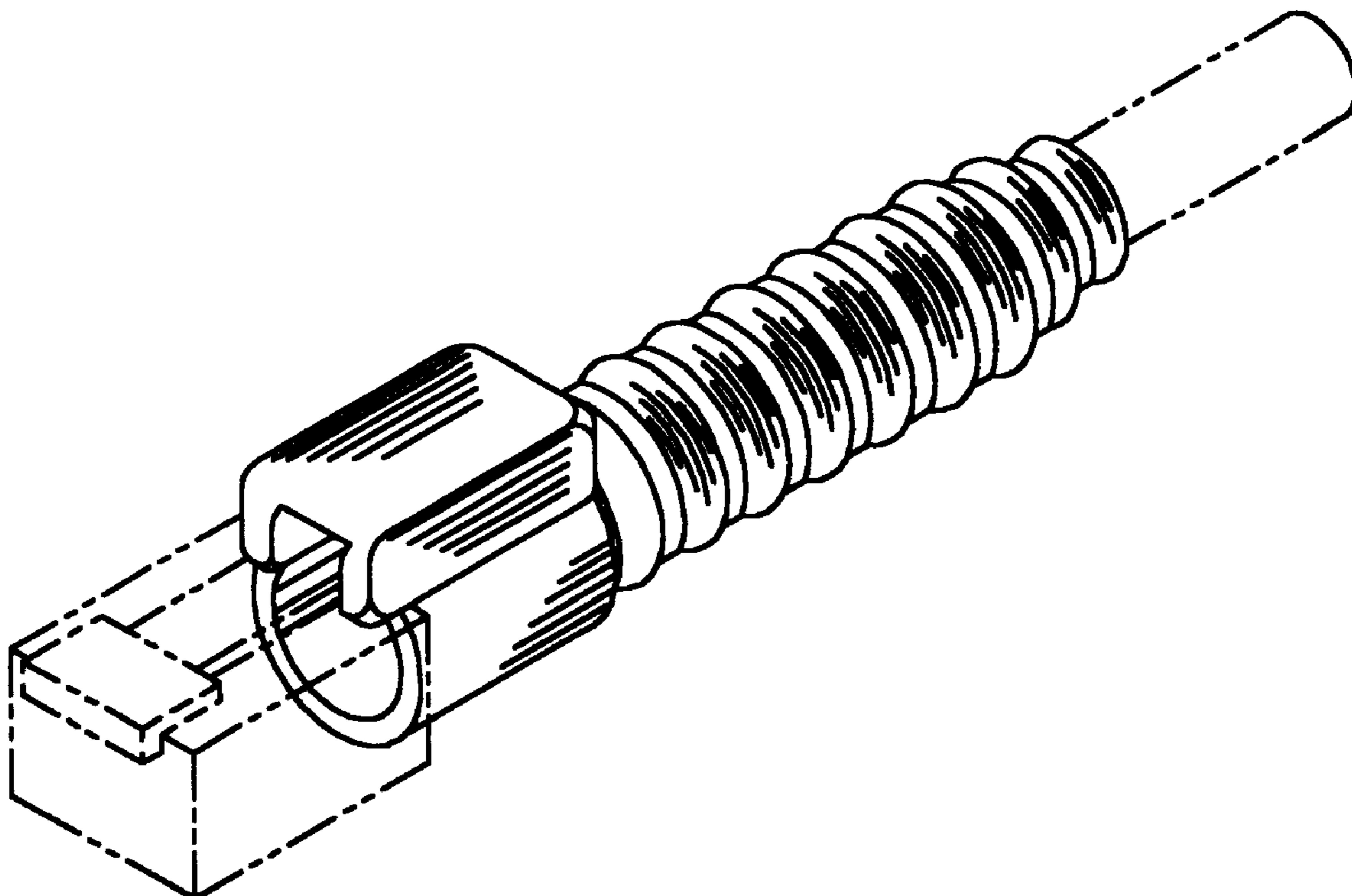
FIG. 5 is a bottom view of the electrical cable connector boot shown in FIG. 1.

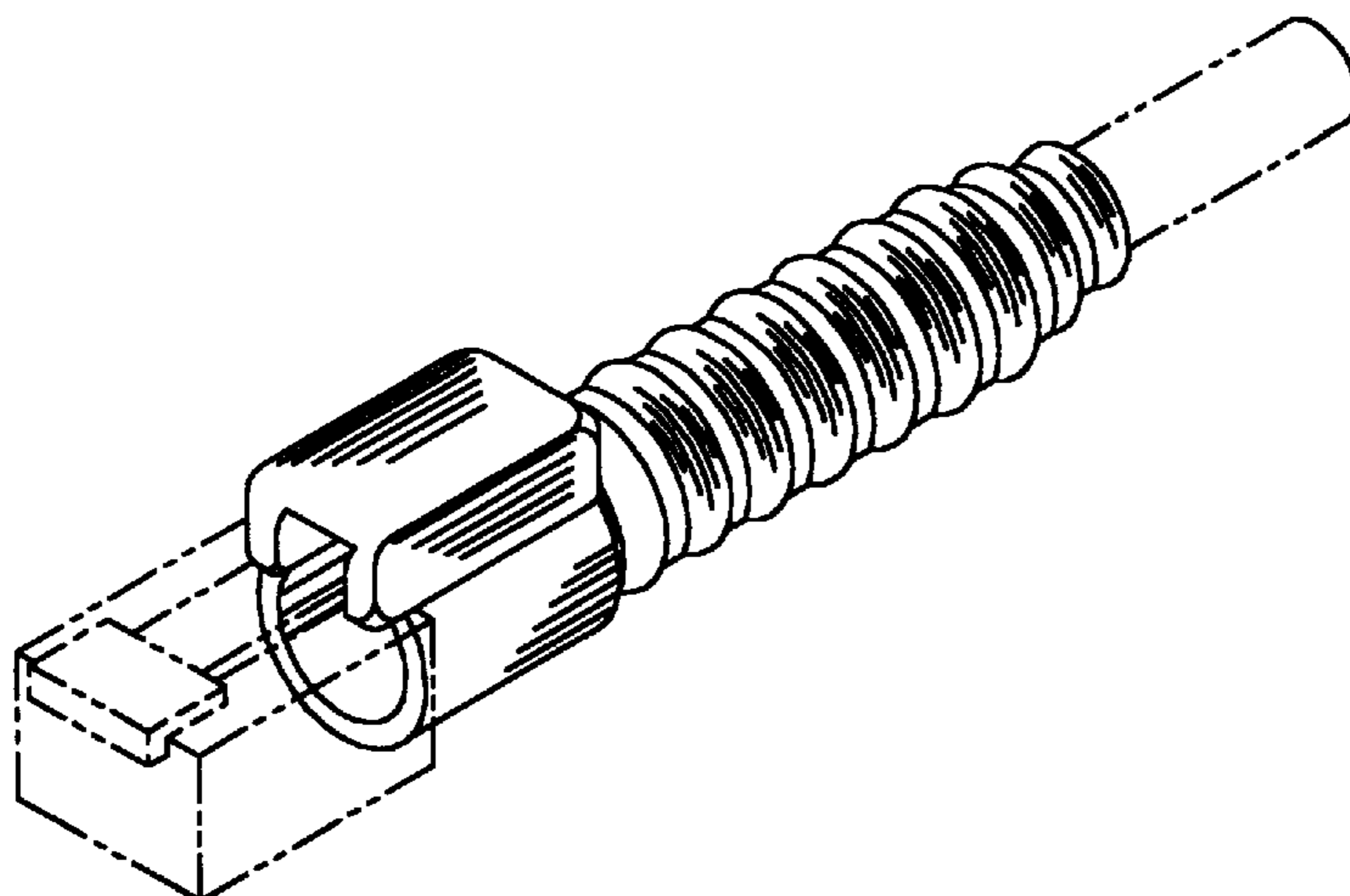
FIG. 6 is a front view of the electrical cable connector boot shown in FIG. 1; and,

FIG. 7 is a rear view of the electrical cable connector boot shown in FIG. 1.

The portion of the connector indicated by dotted lines forms no part of the design according to the present invention.

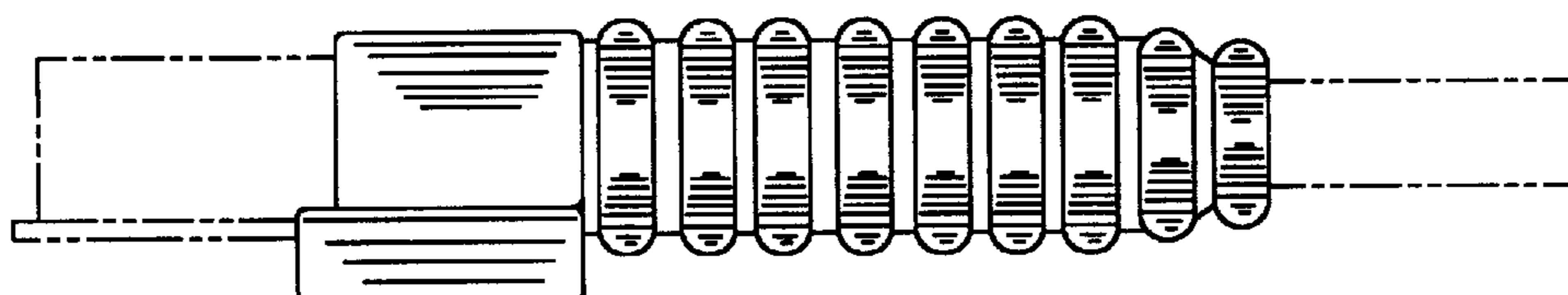
1 Claim, 2 Drawing Sheets





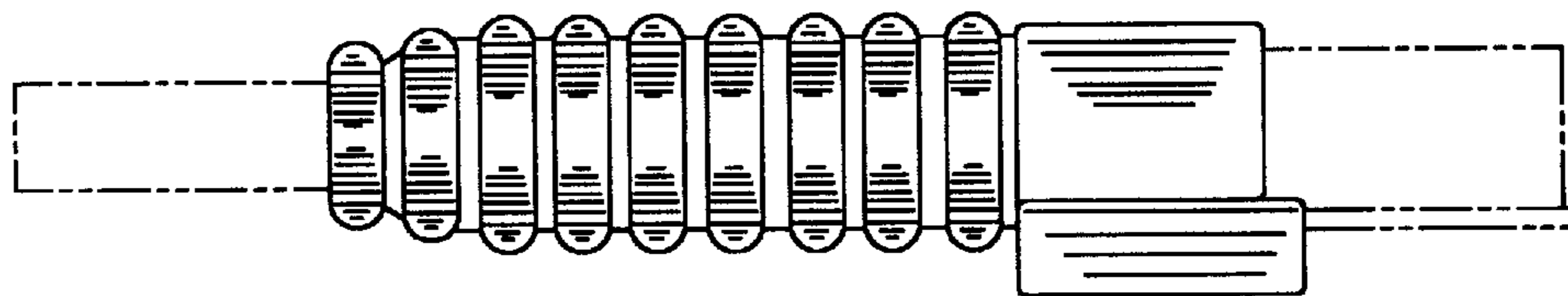
© 1997 MONSTER CABLE PRODUCTS, INC.

FIGURE 1



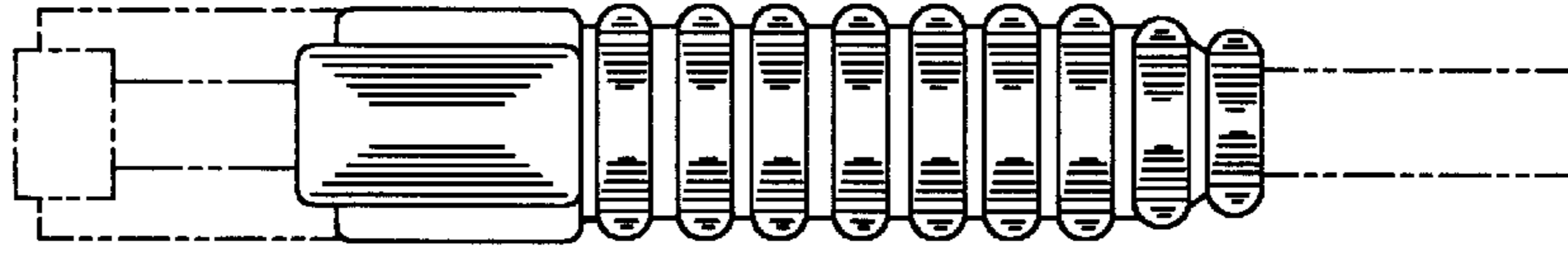
© 1997 MONSTER CABLE PRODUCTS, INC.

FIGURE 2



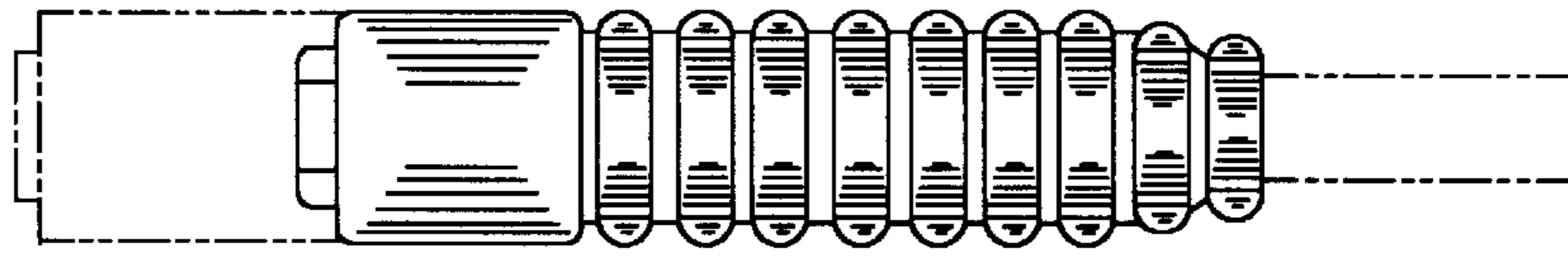
© 1997 MONSTER CABLE PRODUCTS, INC.

FIGURE 3



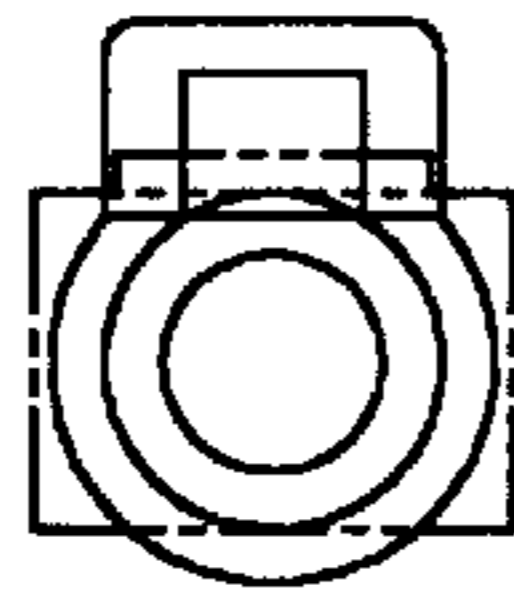
© 1997 MONSTER CABLE PRODUCTS, INC.

FIGURE 4



© 1997 MONSTER CABLE PRODUCTS, INC.

FIGURE 5



© 1997 MONSTER CABLE PRODUCTS, INC.

FIGURE 6



©1997 MONSTER CABLE PRODUCTS, INC.

FIGURE 7