



US00D412313S

United States Patent [19] Hughes

[11] **Patent Number: Des. 412,313**

[45] **Date of Patent: ** Jul. 27, 1999**

[54] **CABLE TELEVISION TAP**

[75] Inventor: **Jeffrey P. Hughes**, Lawrenceville, Ga.

[73] Assignee: **Scientific-Atlanta, Inc.**, Norcross, Ga.

[**] Term: **14 Years**

[21] Appl. No.: **29/099,825**

[22] Filed: **Jan. 27, 1999**

[51] **LOC (6) Cl. 13-02**

[52] **U.S. Cl. D13/152**

[58] **Field of Search D13/152, 184;
D14/240; 174/35 R; 379/399**

[56] **References Cited**

U.S. PATENT DOCUMENTS

D. 266,662	10/1982	Brownell	D13/152
D. 390,571	2/1998	Smith et al.	D14/240
D. 401,226	11/1998	Inoko	D13/184
D. 405,054	2/1999	Takahashi et al.	D13/152

Primary Examiner—Joel Sincavage
Attorney, Agent, or Firm—Kenneth M. Massaroni; Kelly A. Gardner; Hubert J. Barnhardt, III

[57] **CLAIM**

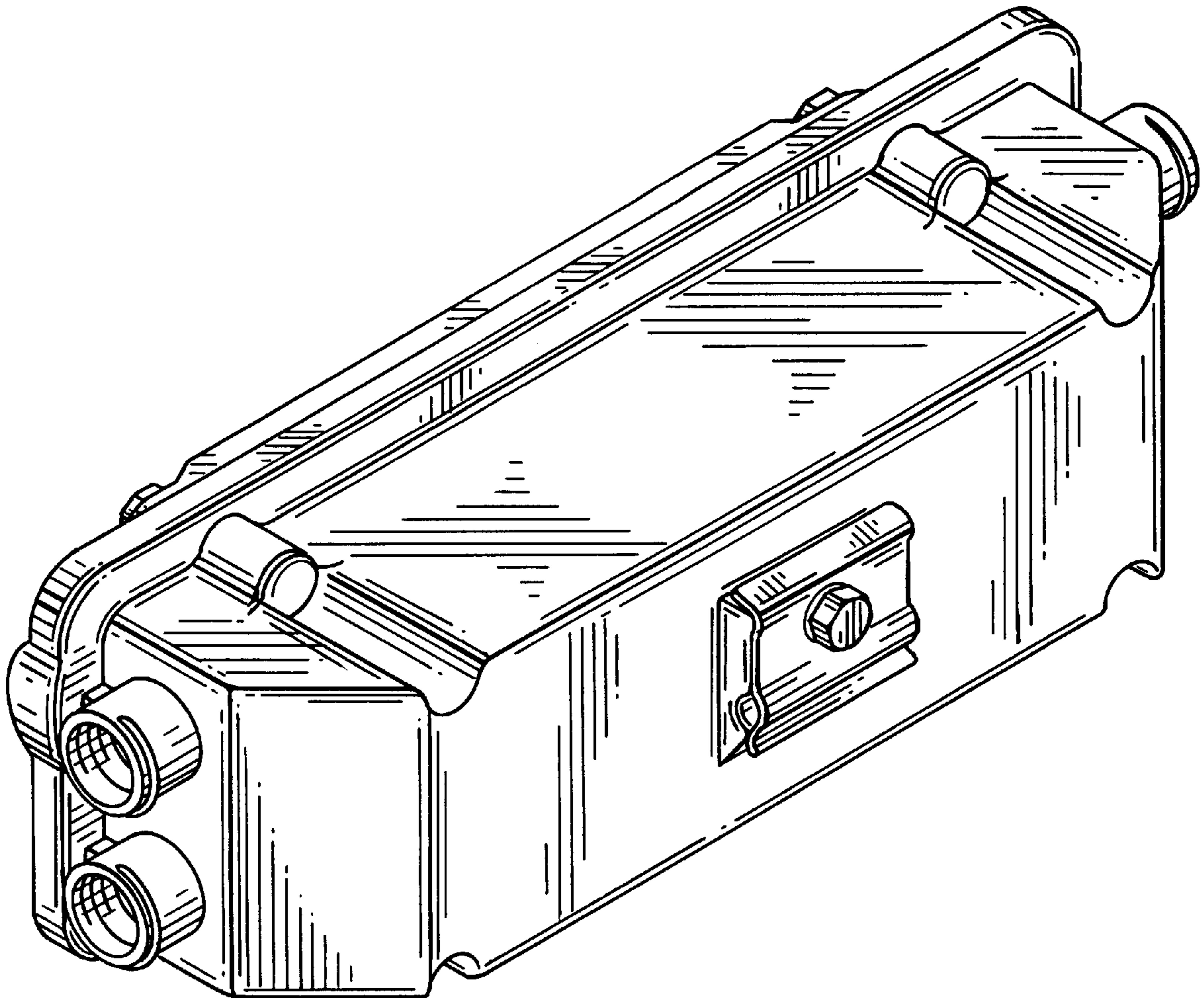
The ornamental design for a cable television tap, as shown and described.

DESCRIPTION

FIG. 1 is a top front right perspective view of a cable television tap in accordance with the instant invention; FIG. 2 is a front plan view thereof; FIG. 3 is a back view thereof; FIG. 4 is a top plan view thereof; FIG. 5 is a bottom plan view thereof; FIG. 6 is a left side elevational view thereof; and, FIG. 7 is a right side elevational view thereof.

The broken line showing in FIGS. 3-7 is included for the purpose of illustrating environmental structure only and forms no part of the claimed design.

1 Claim, 3 Drawing Sheets



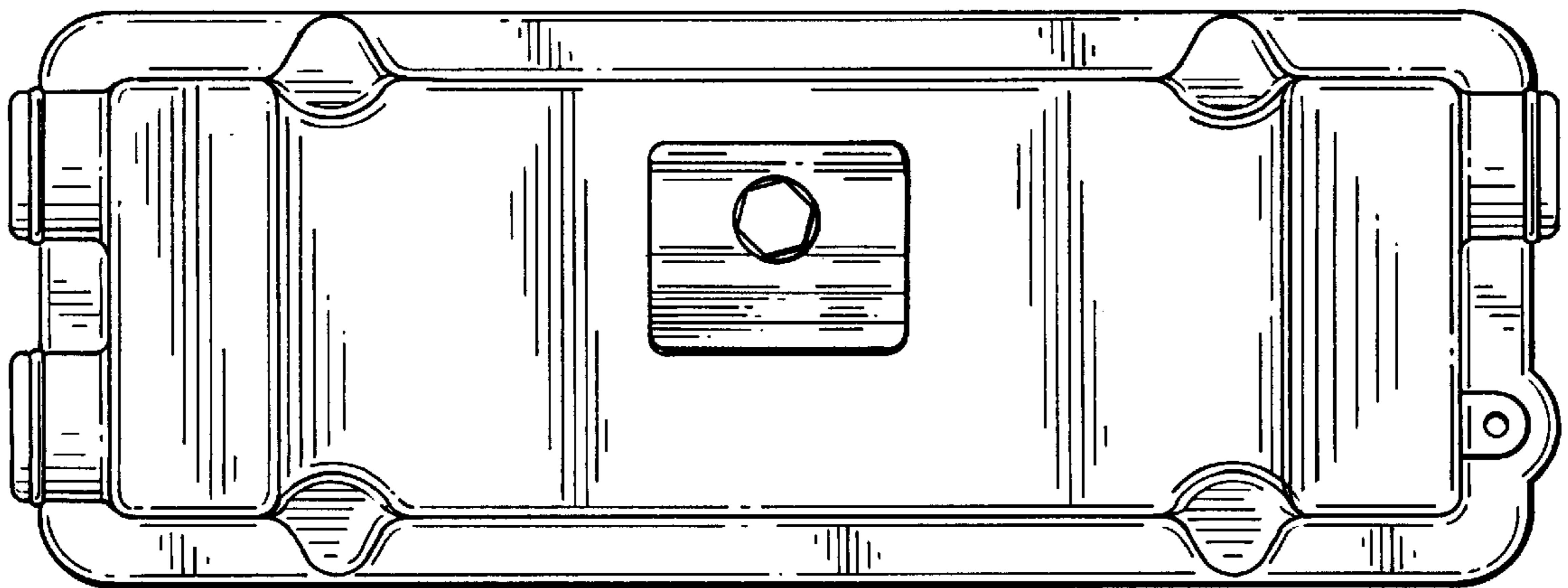
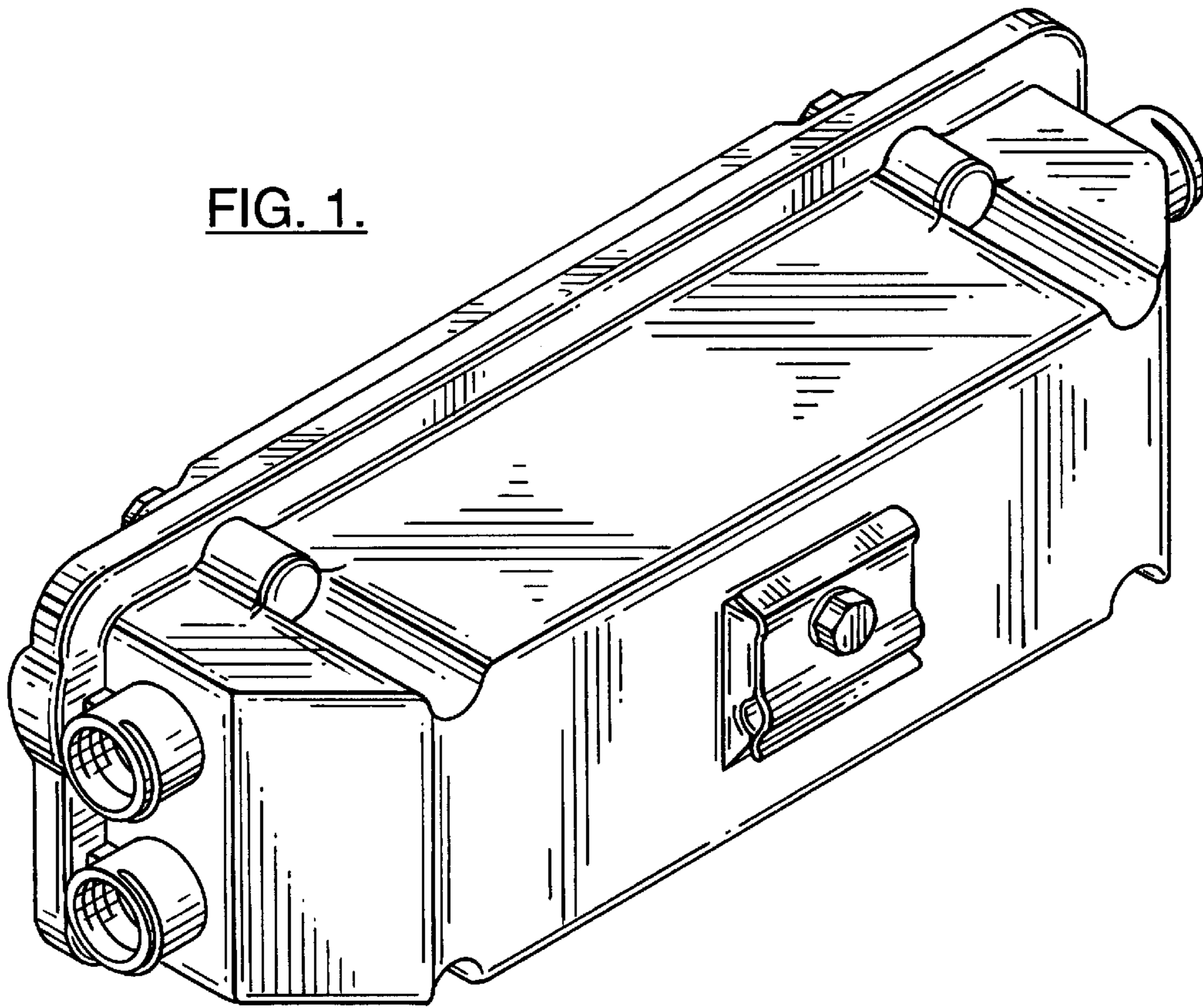


FIG. 2.

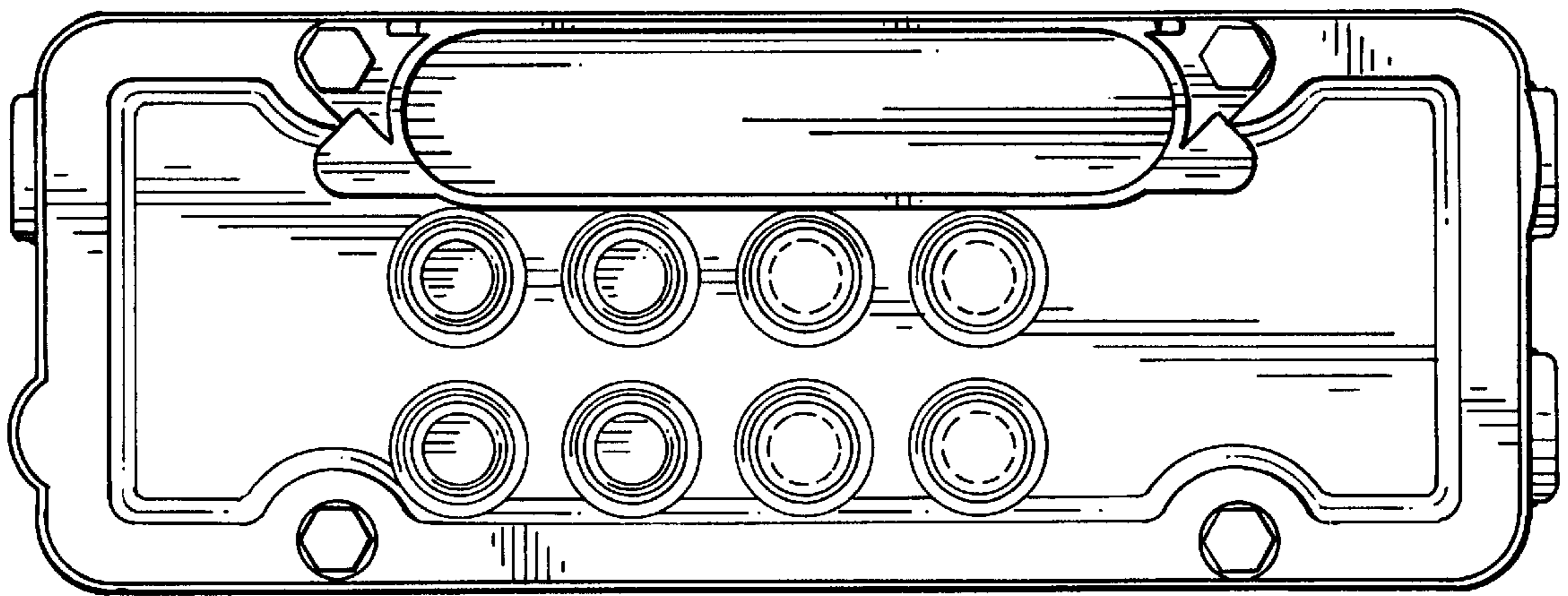


FIG. 3.

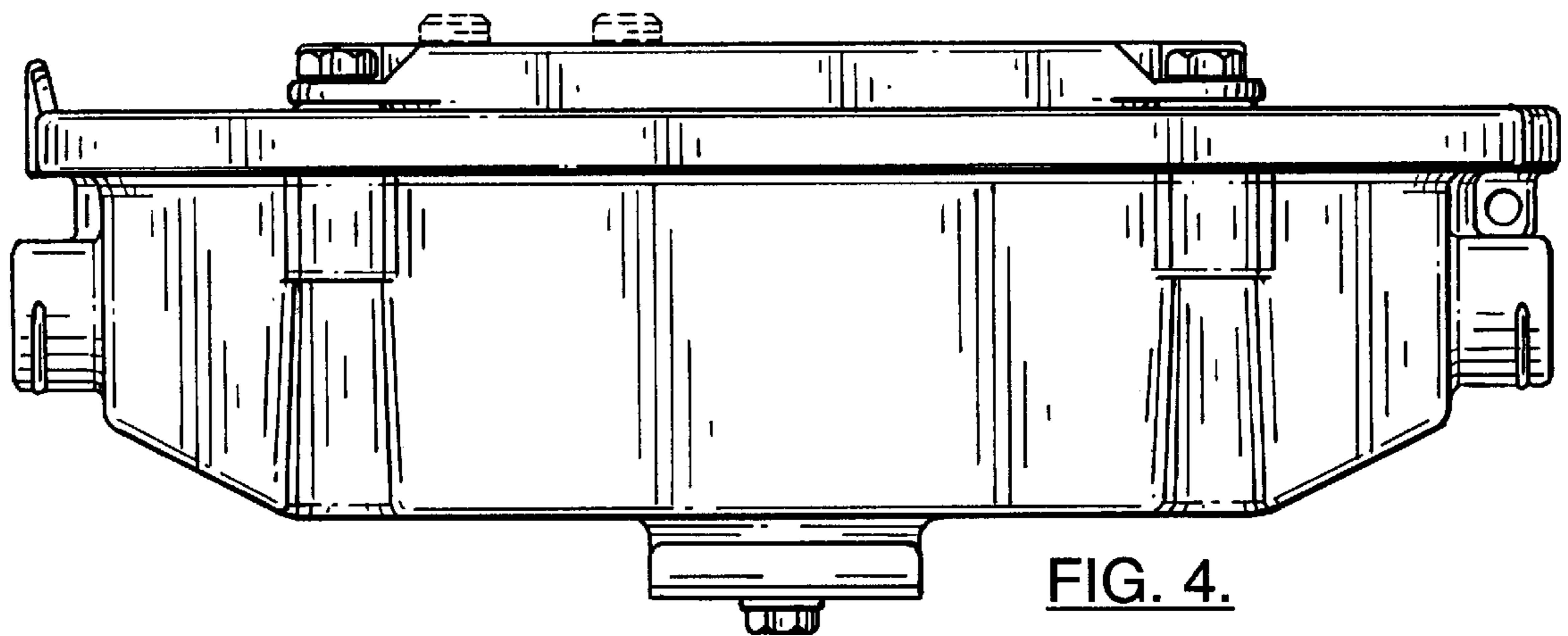


FIG. 4.

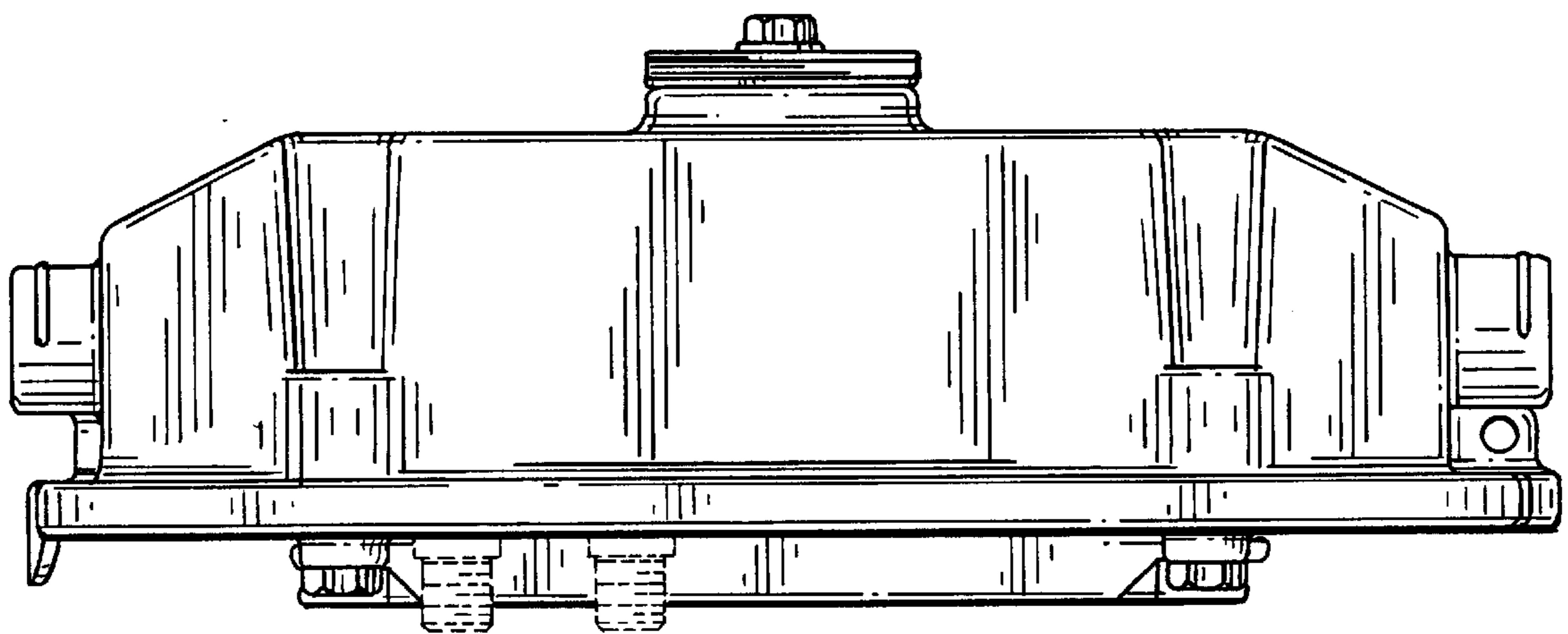


FIG. 5.

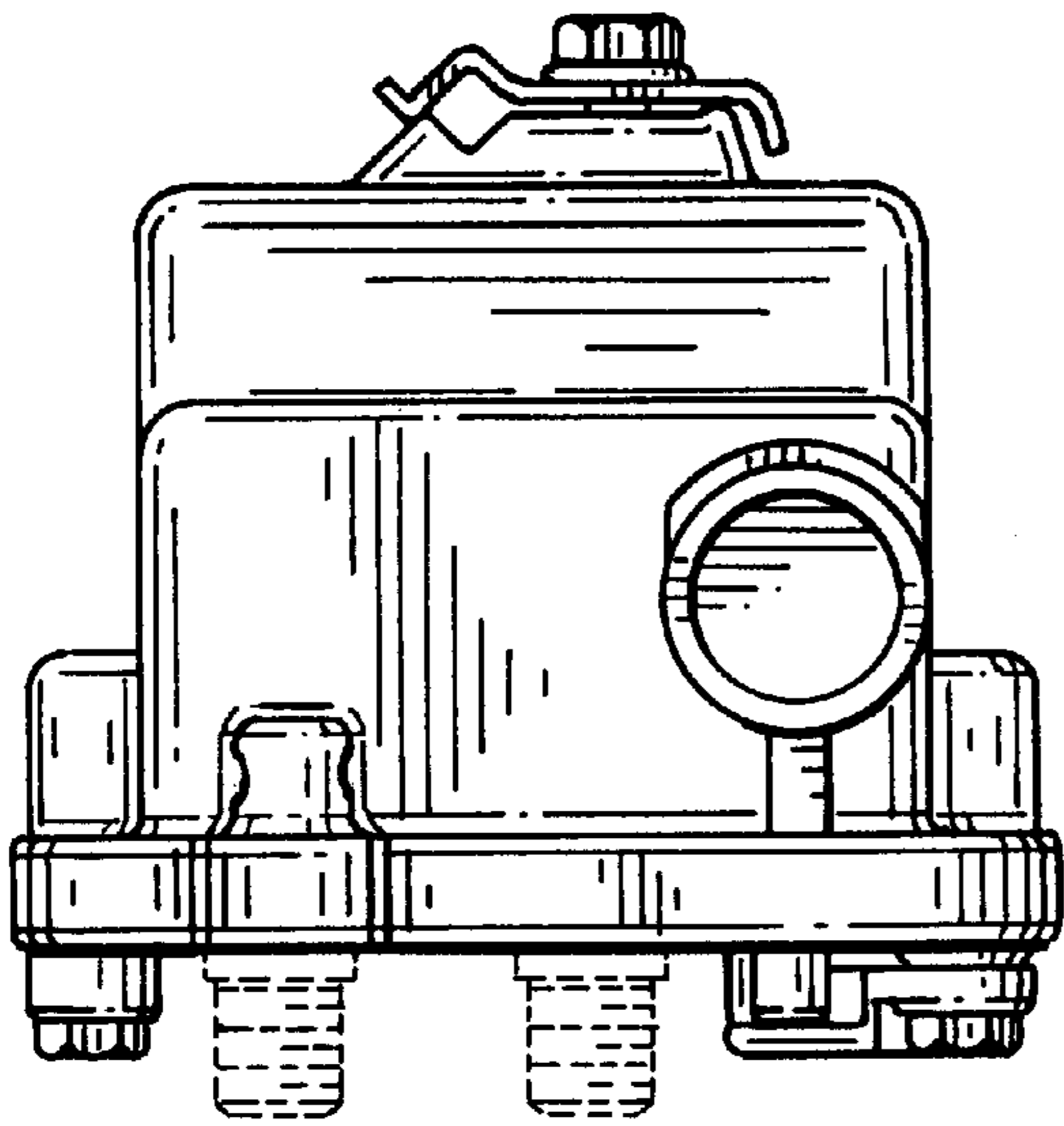


FIG. 6.

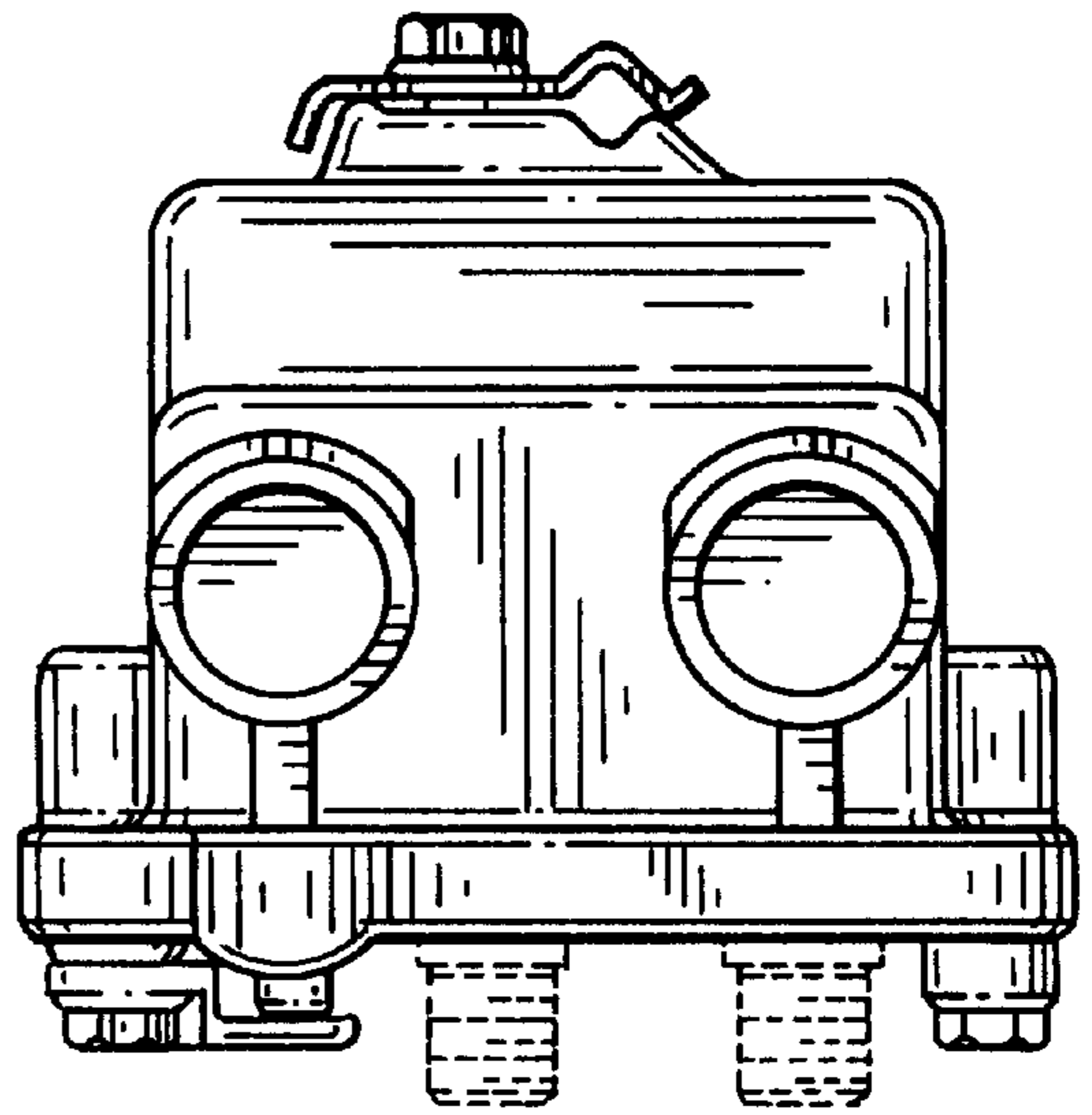


FIG. 7.