



US00D412312S

United States Patent [19] Myers

[11] **Patent Number: Des. 412,312**

[45] **Date of Patent: ** Jul. 27, 1999**

[54] **MALE ELECTRICAL CONNECTOR PLUG**

[76] Inventor: **Harold Myers**, 5637 McLynn Ave.,
Montreal, Que., Canada, H3X 2P9

[**] Term: **14 Years**

[21] Appl. No.: **29/087,131**

[22] Filed: **Apr. 27, 1998**

[51] **LOC (6) Cl. 13-03**

[52] **U.S. Cl. D13/146**

[58] **Field of Search D13/133, 146;**
439/675, 680, 357, 352

[56] **References Cited**

U.S. PATENT DOCUMENTS

4,211,461 7/1980 Wescott 439/680 X
5,064,268 11/1991 Morency et al. 385/87

Primary Examiner—Joel Sincavage
Attorney, Agent, or Firm—Mila Shvartsman

[57] **CLAIM**

The ornamental design for a male electrical connector plug,
as shown and described.

DESCRIPTION

FIG. 1 is a perspective view of a male electrical connector
plug, showing my new design.

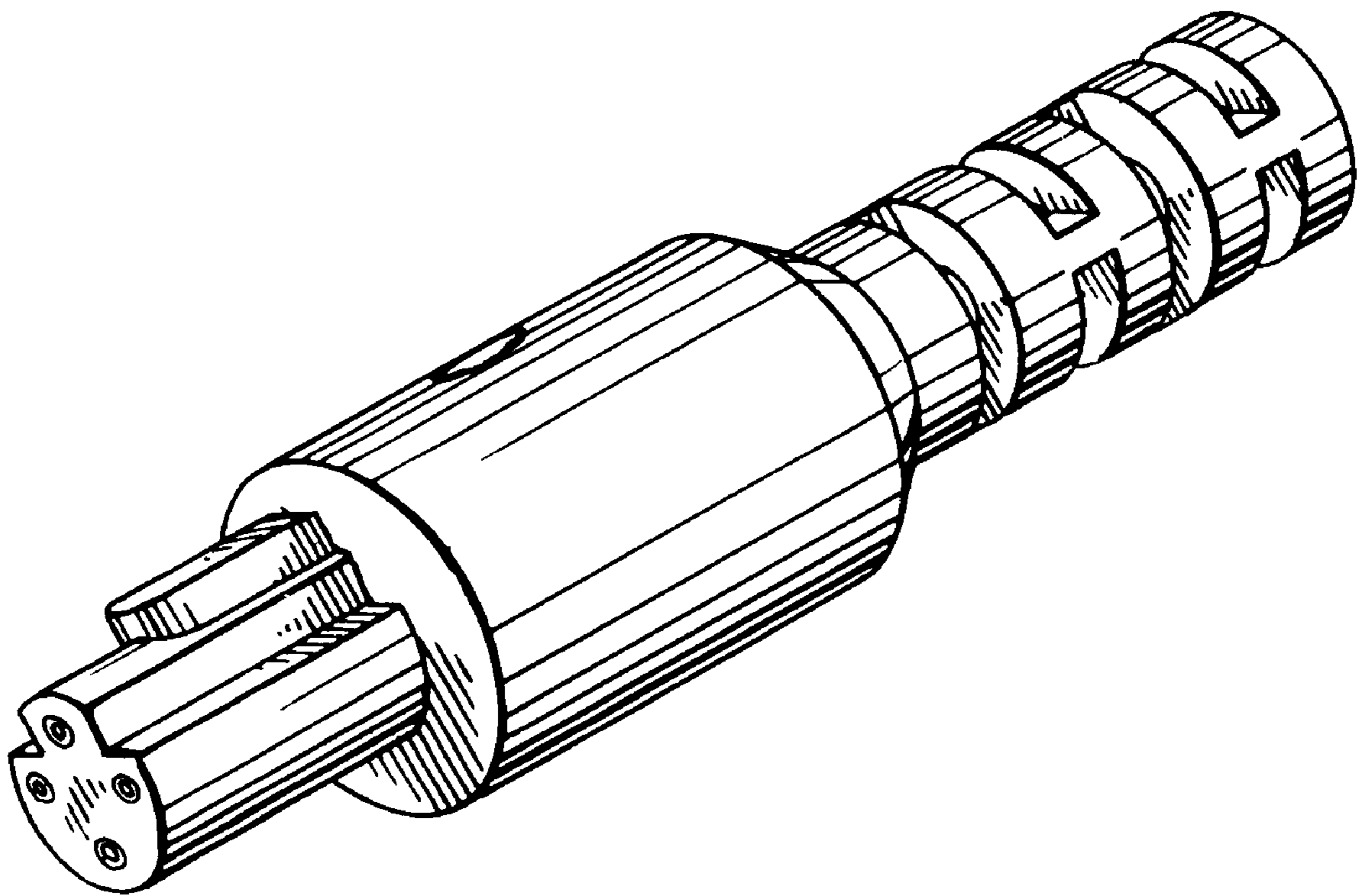
FIG. 2 is a top plan view of FIG. 1.

FIG. 3 is a side view of FIG. 1.

FIG. 4 is a front view of FIG. 1; and,

FIG. 5 is a back view of FIG. 1.

1 Claim, 1 Drawing Sheet



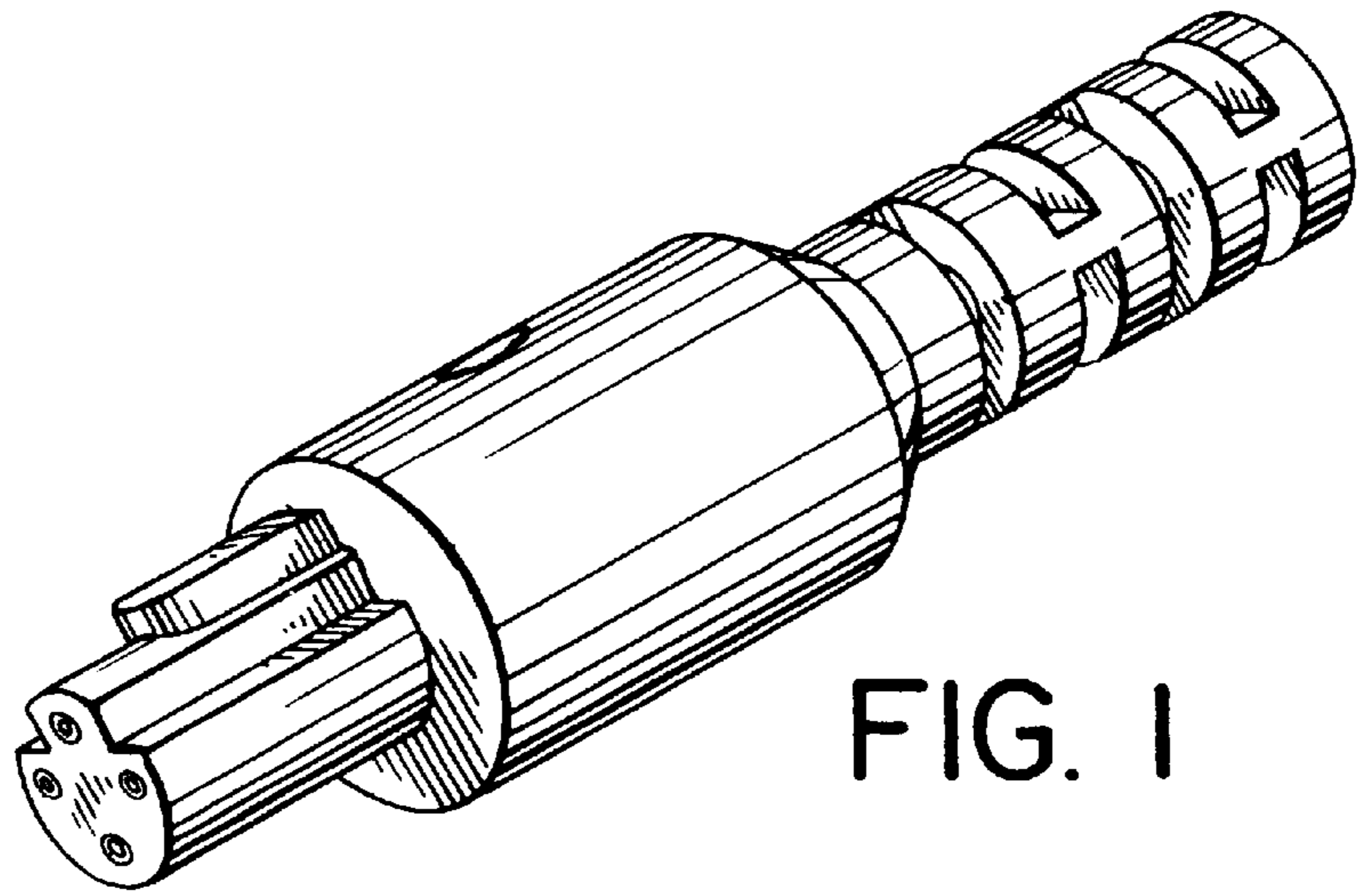


FIG. 1

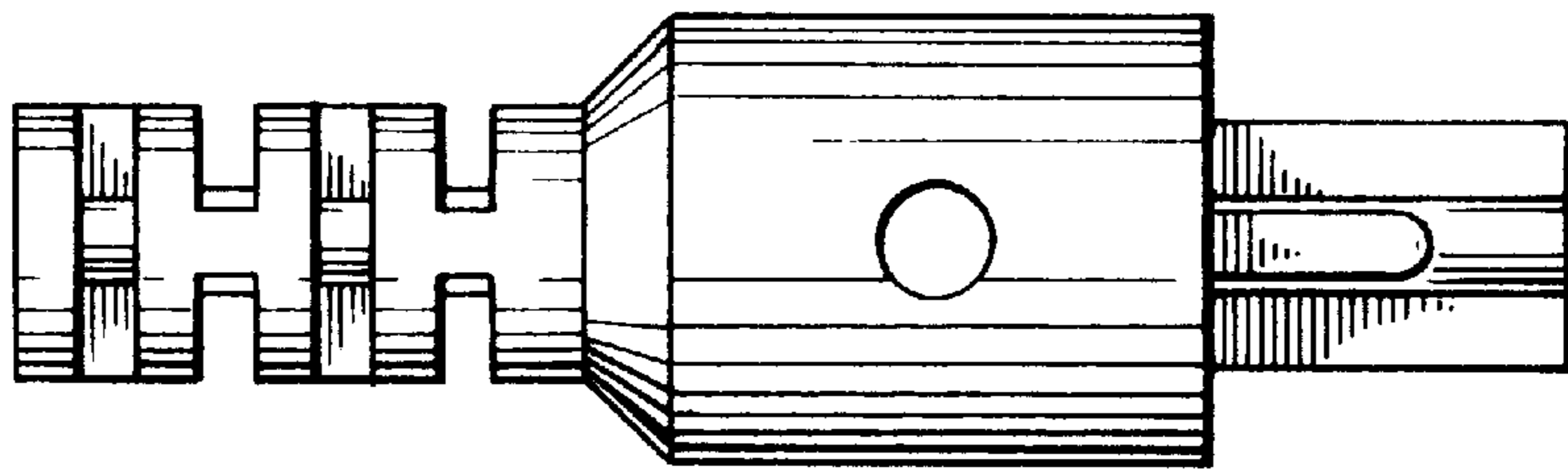


FIG. 2

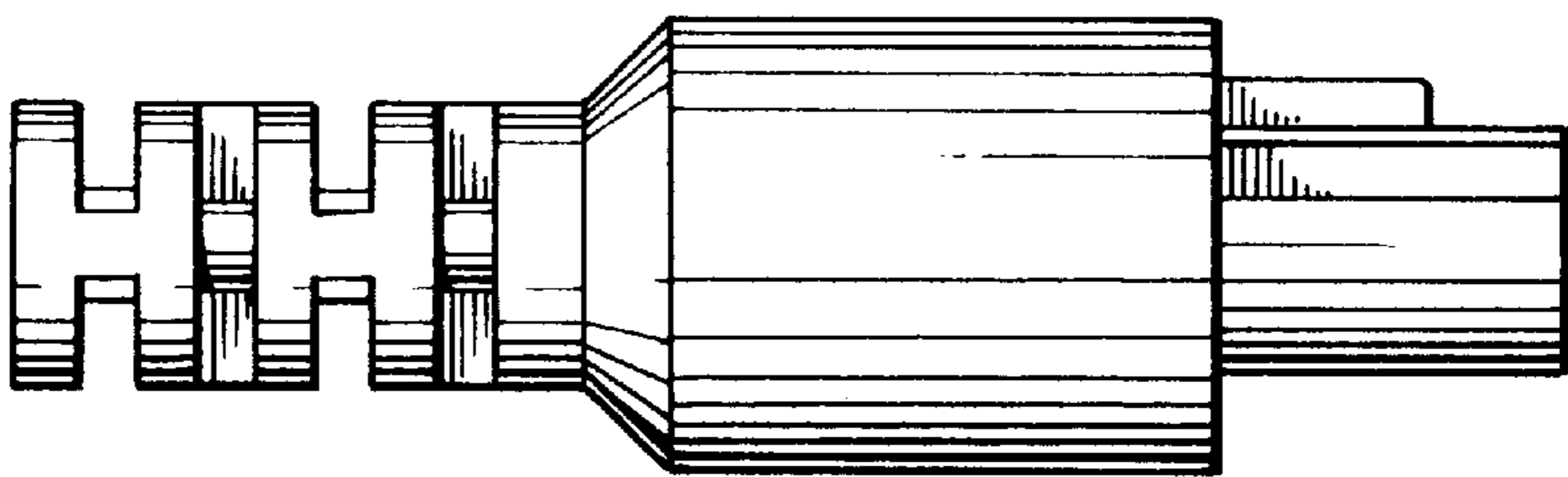


FIG. 3

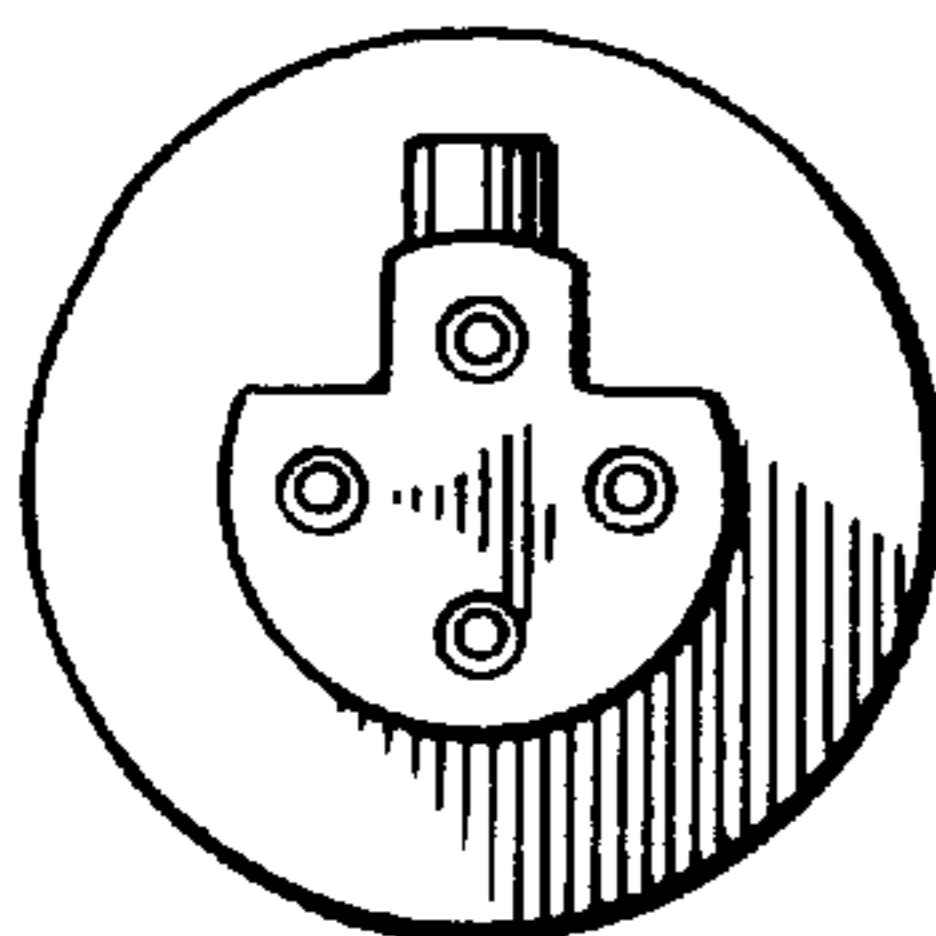


FIG. 4

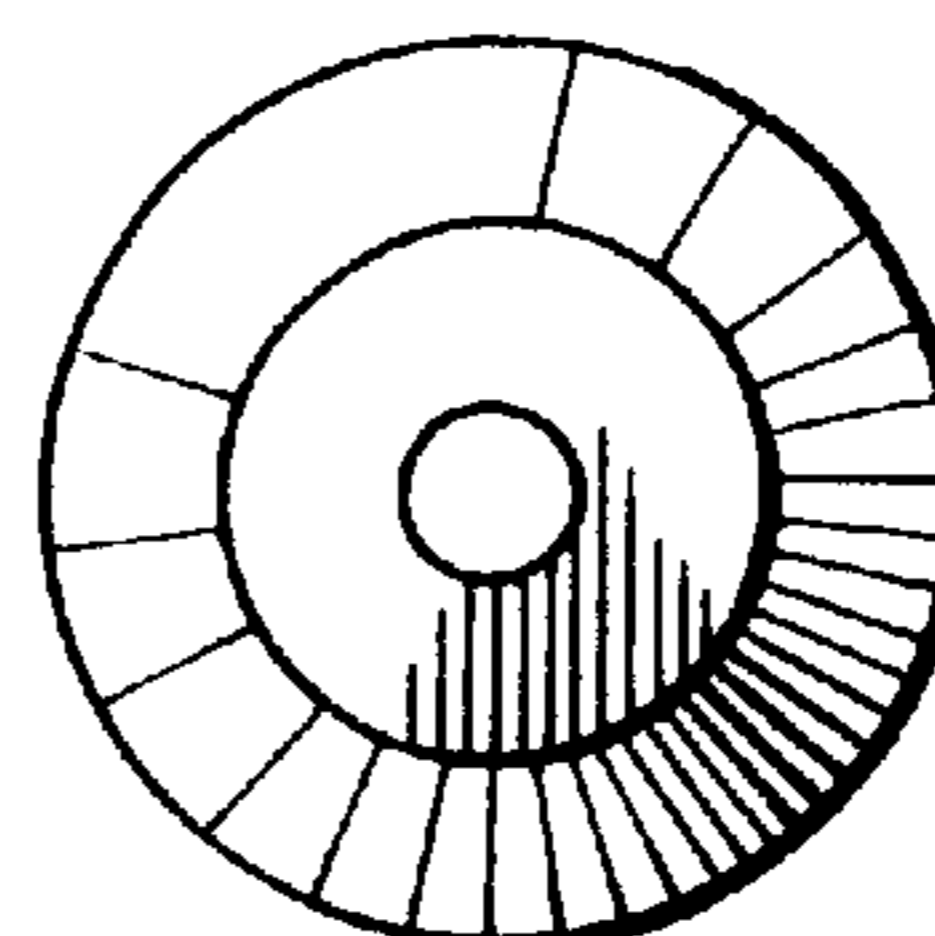


FIG. 5