



US00D412307S

United States Patent [19]

Hartmann et al.

[11] Patent Number: Des. 412,307

[45] Date of Patent: ** Jul. 27, 1999

[54] LICENSE PLATE FRAME

[75] Inventors: Jerome J. Hartmann, Carlisle;
Thomas R. Steinhagen, West Des
Moines, both of Iowa

[73] Assignee: Cobbs Manufacturing Company, Des
Moines, Iowa

[**] Term: 14 Years

[21] Appl. No.: 29/078,495

[22] Filed: Oct. 27, 1997

[51] LOC (6) Cl. 12-16

[52] U.S. Cl. D12/193

[58] Field of Search D12/193, 400;
D6/300, 303-306, 310-314; 40/200, 207,
208, 209, 210, 591; 224/522, 524, 527;
280/727, 769

[56] References Cited

U.S. PATENT DOCUMENTS

| | | | | |
|------------|---------|----------------|-------|---------|
| D. 164,008 | 7/1951 | Loyd | | D12/193 |
| D. 245,497 | 8/1977 | Ritch | | D12/193 |
| D. 271,011 | 10/1983 | Bott | | D12/193 |
| D. 312,066 | 11/1990 | Fabbrini | | D12/193 |
| D. 326,079 | 5/1992 | Schmitz et al. | | D12/193 |
| D. 354,087 | 1/1995 | Dunlap et al. | | D12/193 |
| D. 360,479 | 7/1995 | Howard | | D12/193 |
| D. 367,459 | 2/1996 | Spencer | | D12/193 |

| | | | | |
|------------|---------|---------------|-------|---------|
| D. 368,693 | 4/1996 | Spencer | | D12/193 |
| 1,201,786 | 10/1916 | Willwerscheid | | 40/209 |
| 1,886,703 | 11/1932 | Logan | | 40/209 |
| 2,012,346 | 8/1935 | Meehan | | 40/209 |
| 2,082,434 | 6/1937 | White | | 40/209 |
| 2,211,923 | 8/1940 | Dittmar | | 40/200 |
| 2,827,722 | 3/1958 | Leclerc | | 40/209 |
| 2,865,123 | 12/1958 | Glowzinski | | 40/209 |
| 2,921,395 | 1/1960 | Fishman | | 40/200 |
| 3,611,605 | 10/1971 | Baker | | 40/209 |
| 4,170,838 | 10/1979 | Bott | | 40/209 |
| 4,314,417 | 2/1982 | Cain | | 40/209 |
| 4,891,895 | 1/1990 | DeLaquil, Jr. | | 40/209 |
| 4,956,930 | 9/1990 | Troncoso | | 40/209 |
| 5,404,664 | 4/1995 | Brooks et al. | | 40/209 |

Primary Examiner—Robert M. Spear

[57] CLAIM

The ornamental design for a license plate frame, as shown and described.

DESCRIPTION

FIG. 1 is a front elevational view of the license plate frame. FIG. 2 is a top view thereof, the bottom view being a mirror image.

FIG. 3 is a left end view thereof, the right end view being a mirror image.

FIG. 4 is a rear elevational view thereof; and, FIG. 5 is a front perspective view thereof.

1 Claim, 2 Drawing Sheets

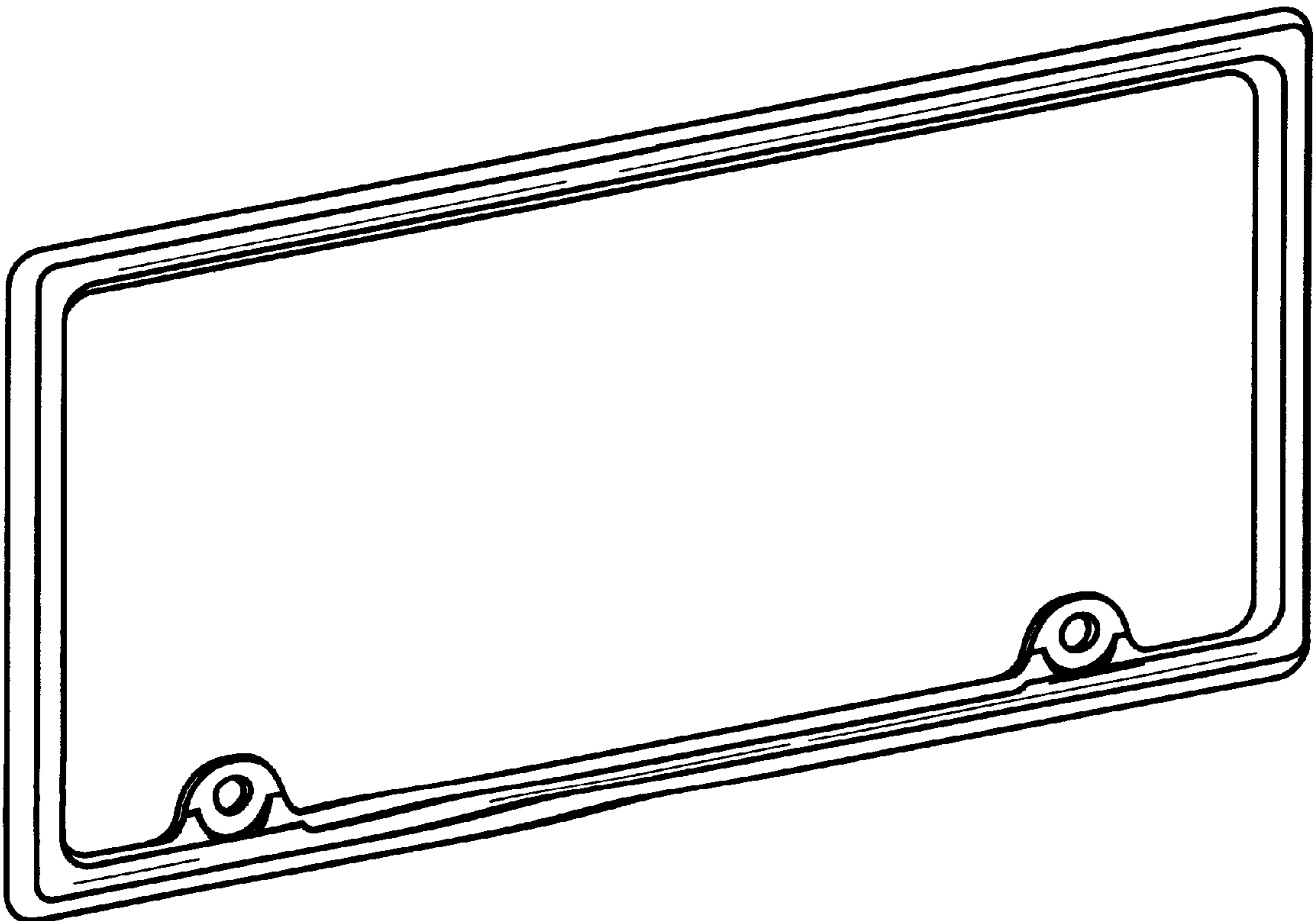


Fig 1

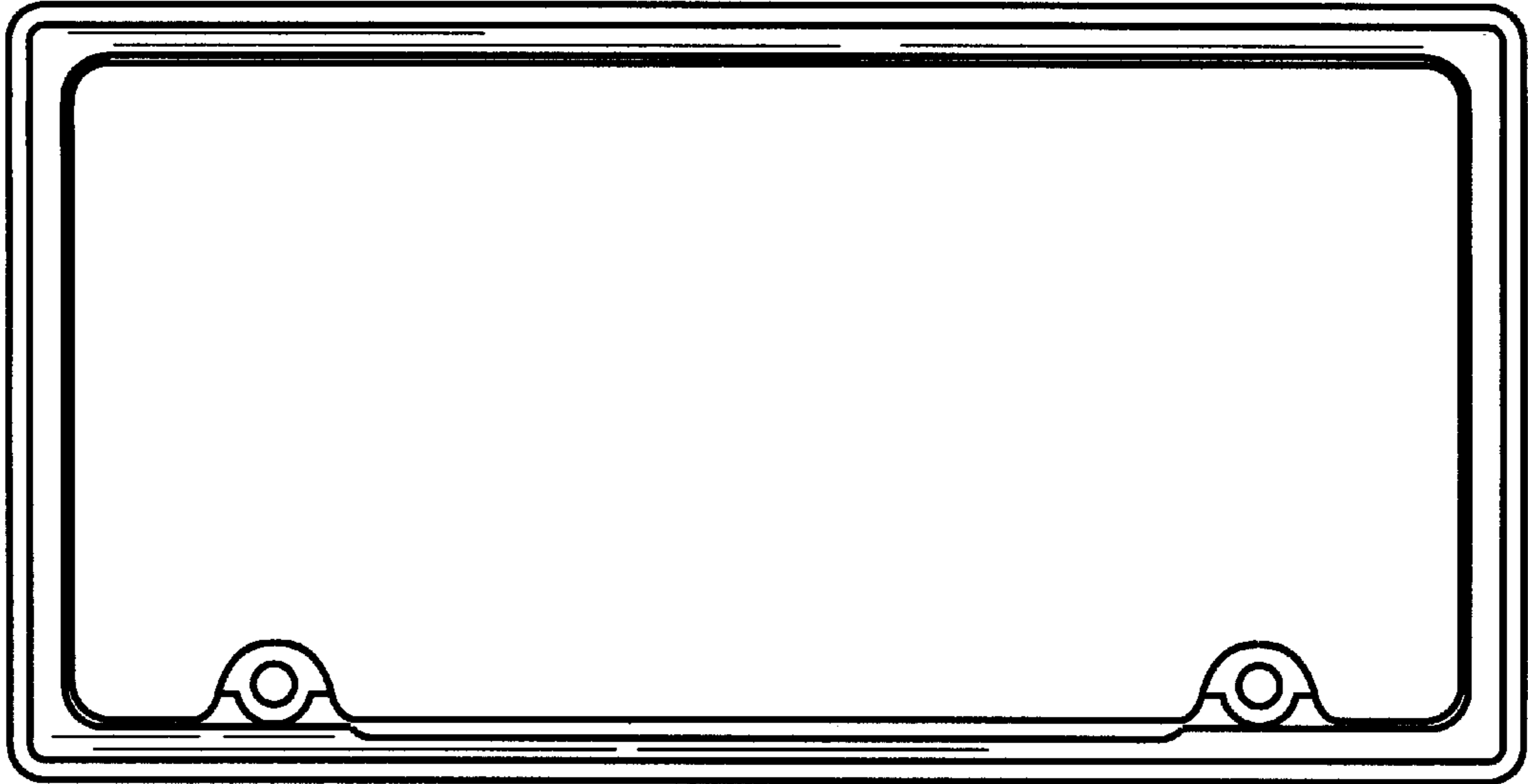


Fig 2



Fig 3



Fig 4

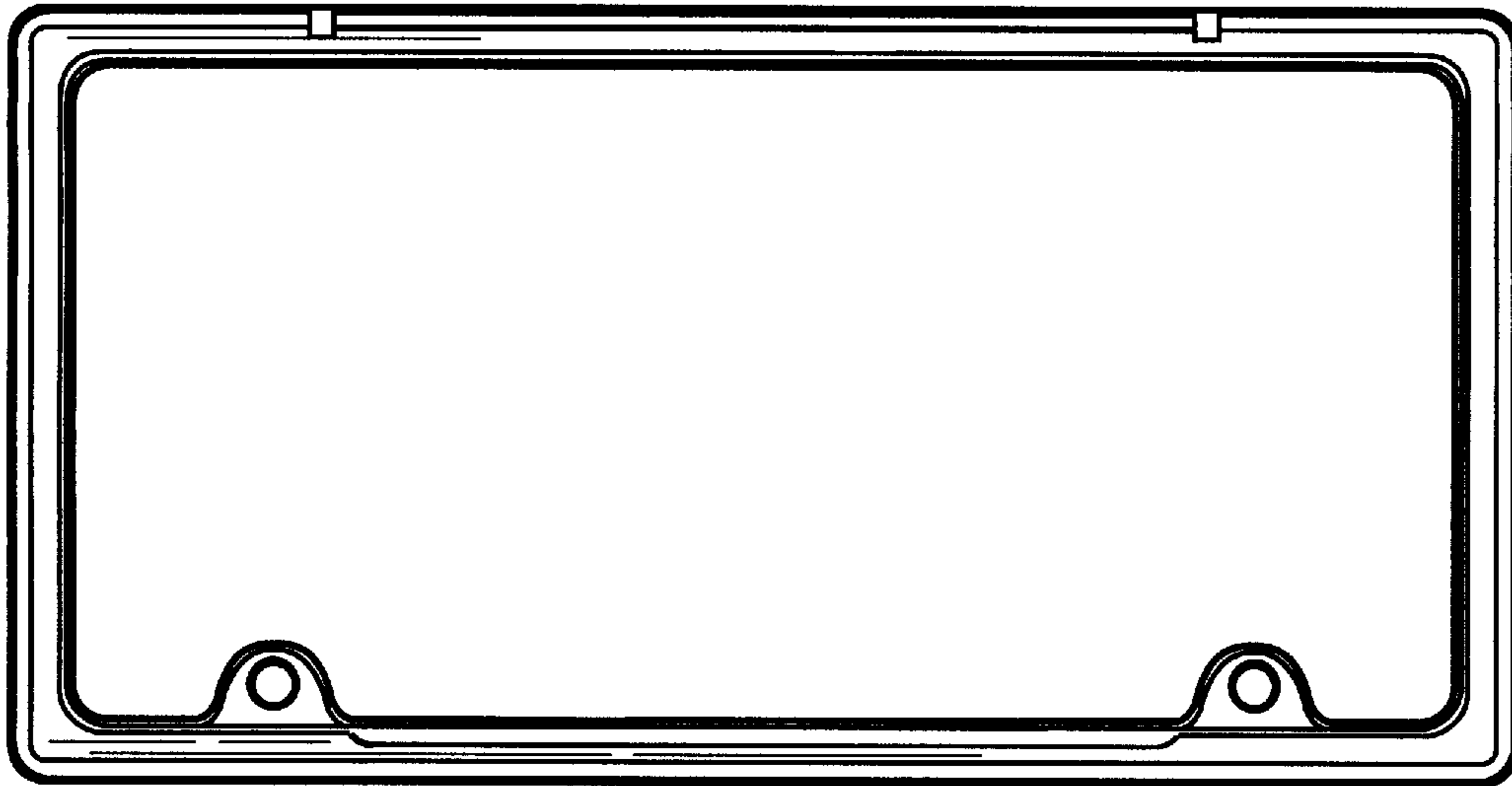


Fig 5

