



US00D412305S

United States Patent [19]

Harden, Jr. et al.

[11] Patent Number: Des. 412,305

[45] Date of Patent: ** Jul. 27, 1999

[54] TIRE TREAD

[75] Inventors: **Richard Winfield Harden, Jr.**, Tallmadge; **Austin Gale Young**, Copley, both of Ohio; **Kevin Alan Reid**, Asheville, N.C.

[73] Assignee: **The Goodyear Tire & Rubber Company**, Akron, Ohio

[**] Term: **14 Years**

[21] Appl. No.: **29/102,583**

[22] Filed: **Mar. 31, 1999**

Related U.S. Application Data

[63] Continuation-in-part of application No. 29/086,855, Apr. 21, 1998, abandoned.

[51] **LOC (6) Cl.** **12-15**

[52] **U.S. Cl.** **D12/147**

[58] **Field of Search** D12/141-143, D12/146-151; 152/209 RR, 209 NS, 209 AS, 209 AG, 209 BY, 209 LG, 209 RB, 209 DP

[56] References Cited

U.S. PATENT DOCUMENTS

- D. 305,110 12/1989 Minamitani .
- D. 350,507 9/1994 Helluin .
- D. 368,882 4/1996 Heinen et al. .
- D. 400,833 11/1998 Legge et al. D12/147

- D. 405,734 2/1999 Robert et al. D12/147
- 4,122,879 10/1978 Takigawa et al. .
- 4,217,942 8/1980 Takigawa et al. .
- 5,048,583 9/1991 Goto et al. .
- 5,454,411 10/1995 Weyrich et al. .

Primary Examiner—Robert M. Spear
Attorney, Agent, or Firm—T P Lewandowski

[57] CLAIM

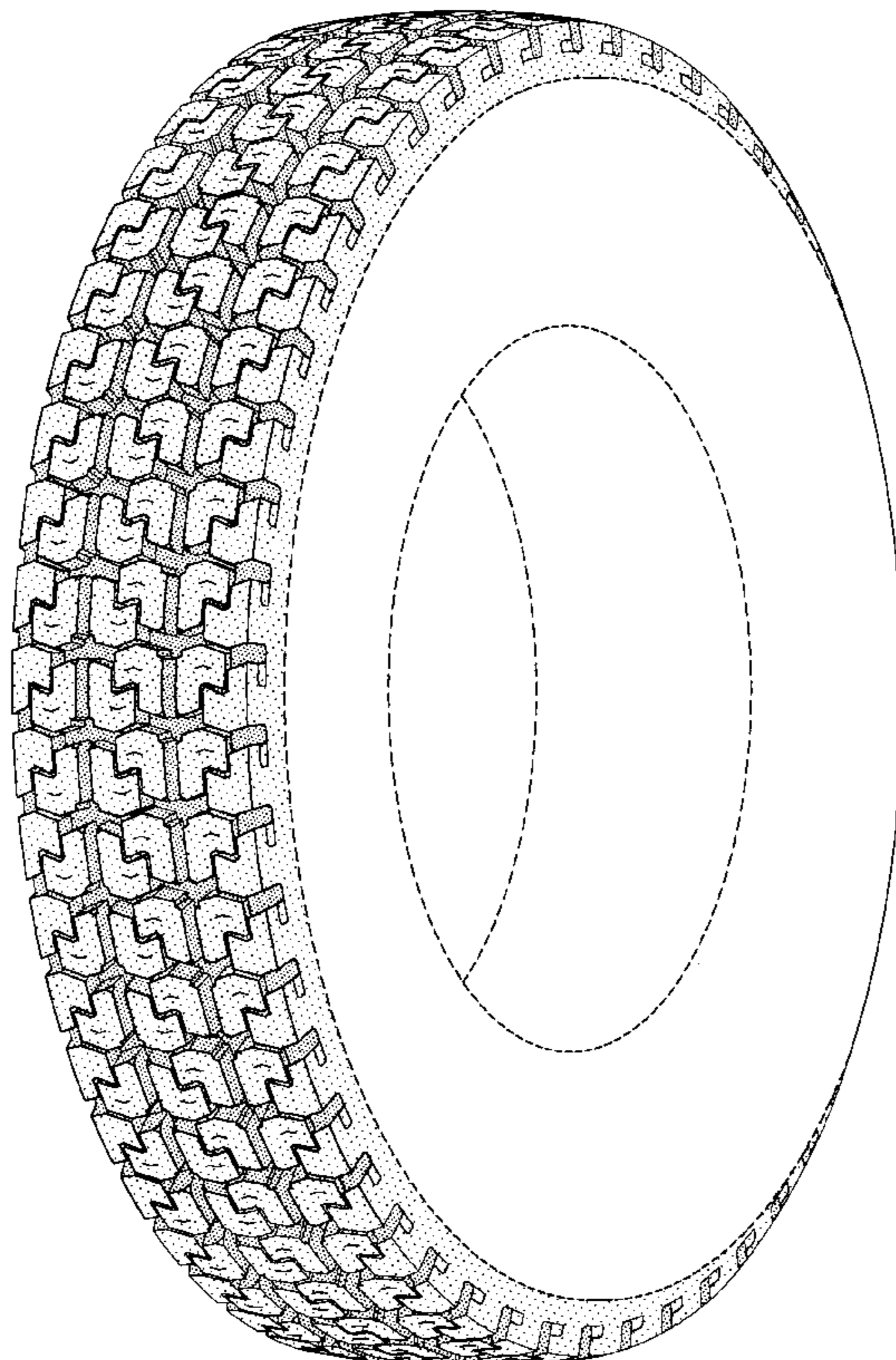
The ornamental design for a tire tread, as shown and described.

DESCRIPTION

FIG. 1 is a perspective view of a tire tread showing our new design, it being understood that the pattern repeats uniformly throughout the circumference of the tread;
 FIG. 2 is a front elevational view thereof;
 FIG. 3 is a side elevational view thereof, the opposite side elevational view being identical thereto;
 FIG. 4 is an enlarged fragmentary perspective view;
 FIG. 5 is a perspective view of a second embodiment of the tire tread;
 FIG. 6 is a front elevational view of the tread in FIG. 5;
 FIG. 7 is a side elevational view of the tread in FIG. 5; and,
 FIG. 8 is an enlarged fragmentary perspective view of the tread in FIG. 5.

In the drawings, the broken lines defining the inner bead of the sidewall and the peripheral boundary between the tire tread and the sidewall are for illustrative purposes only and form no part of the claimed design.

1 Claim, 8 Drawing Sheets



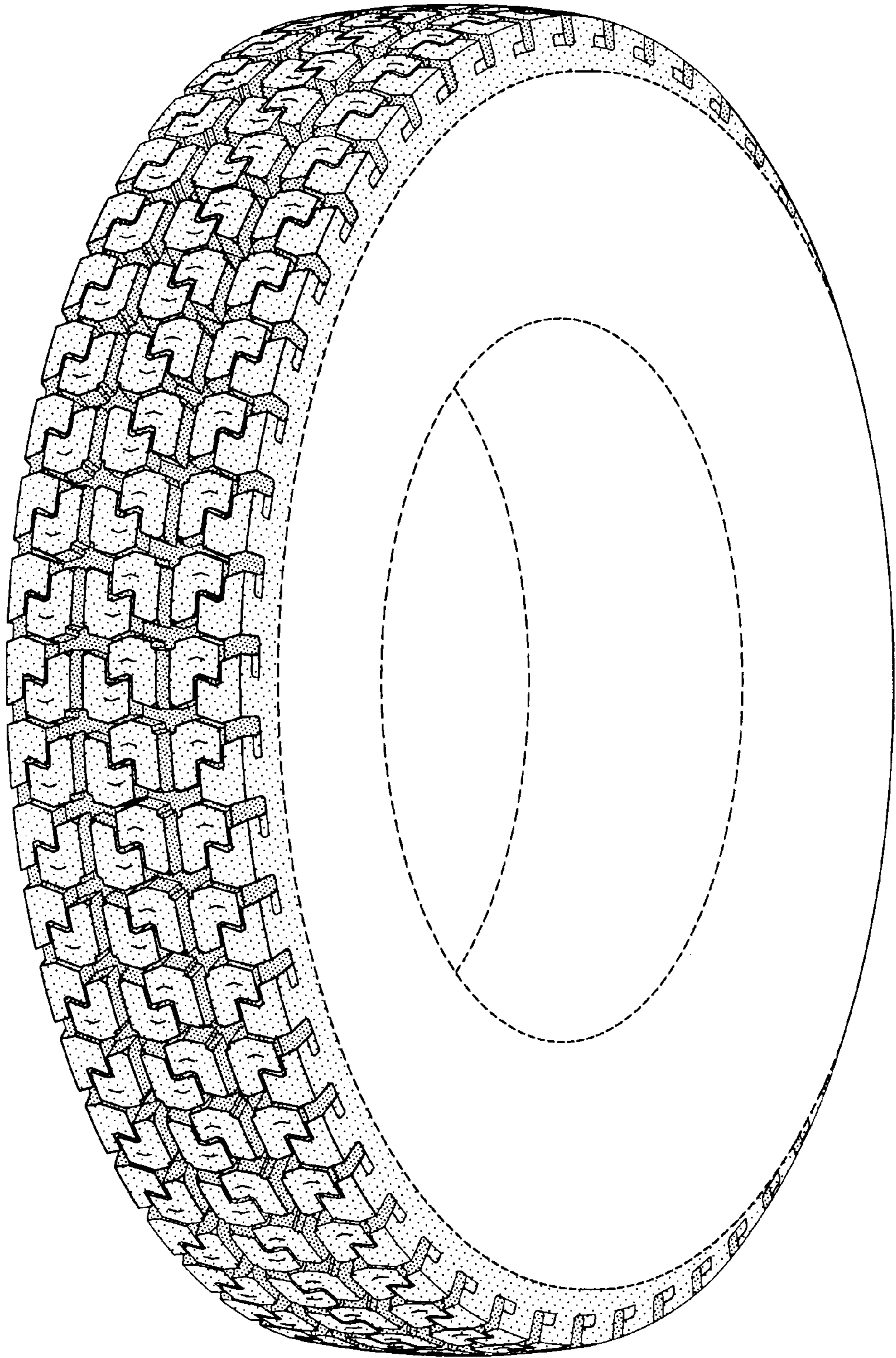


FIG-1

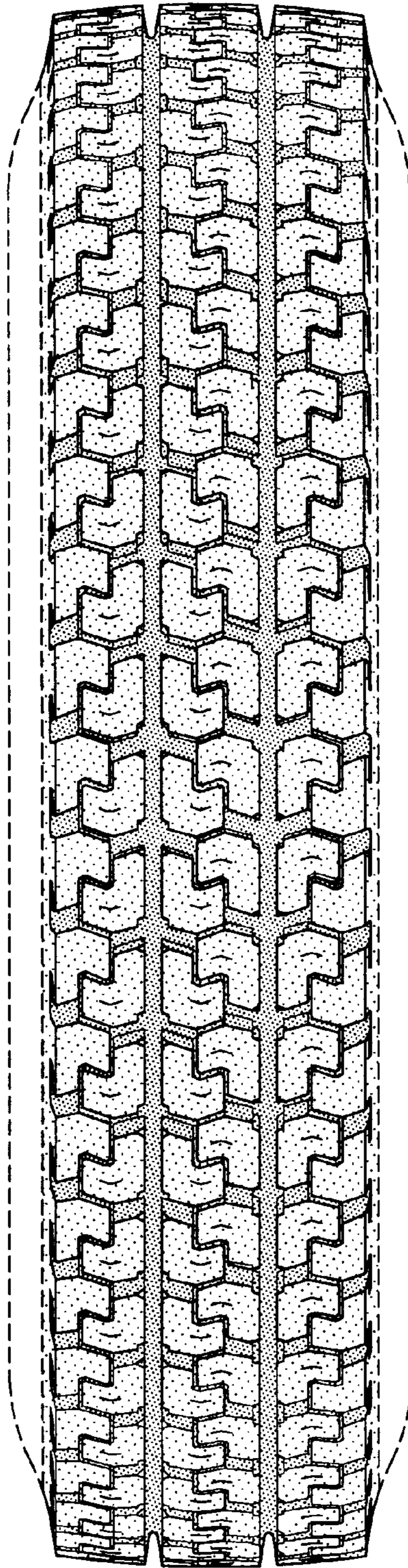


FIG-2

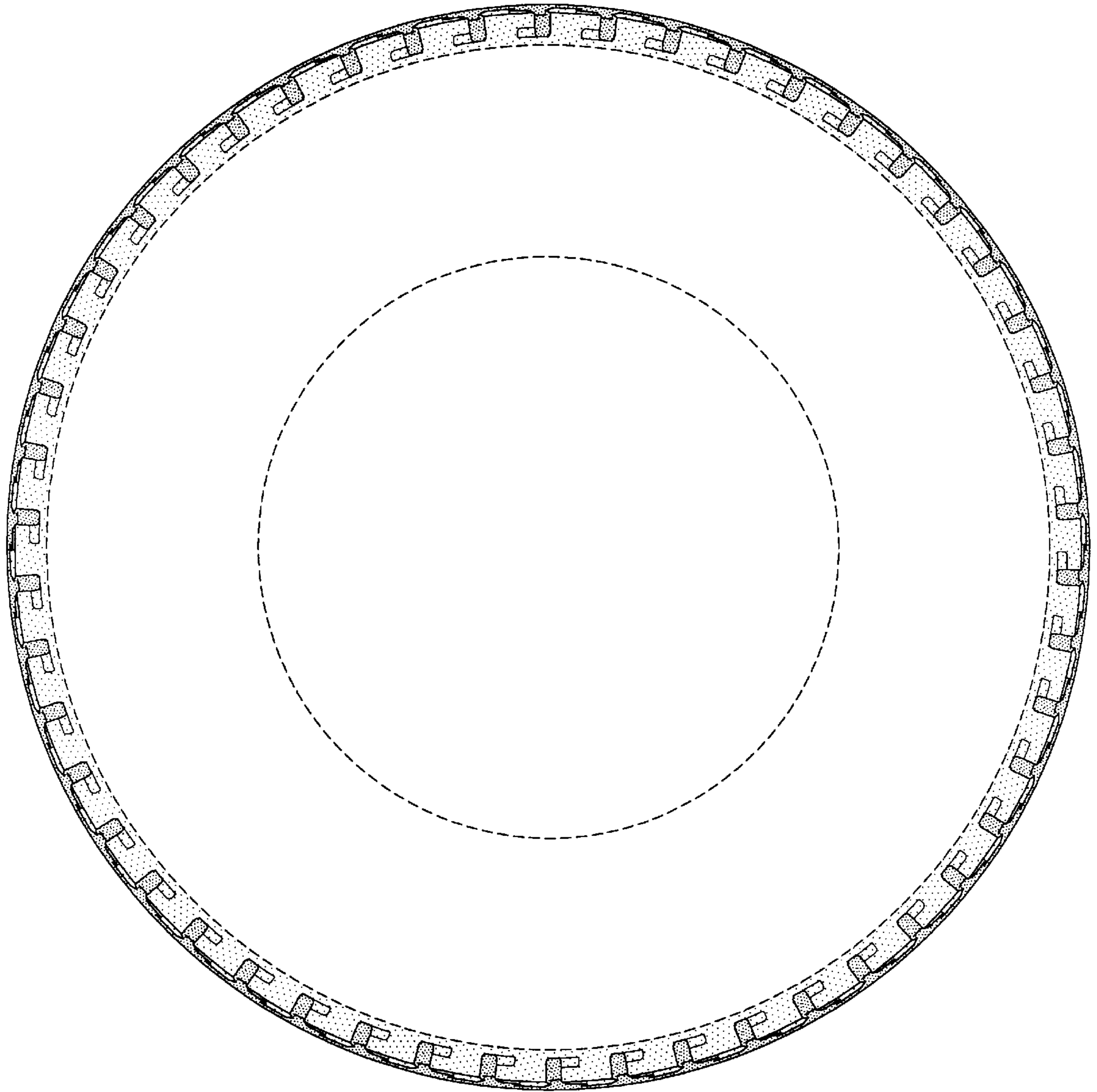


FIG-3

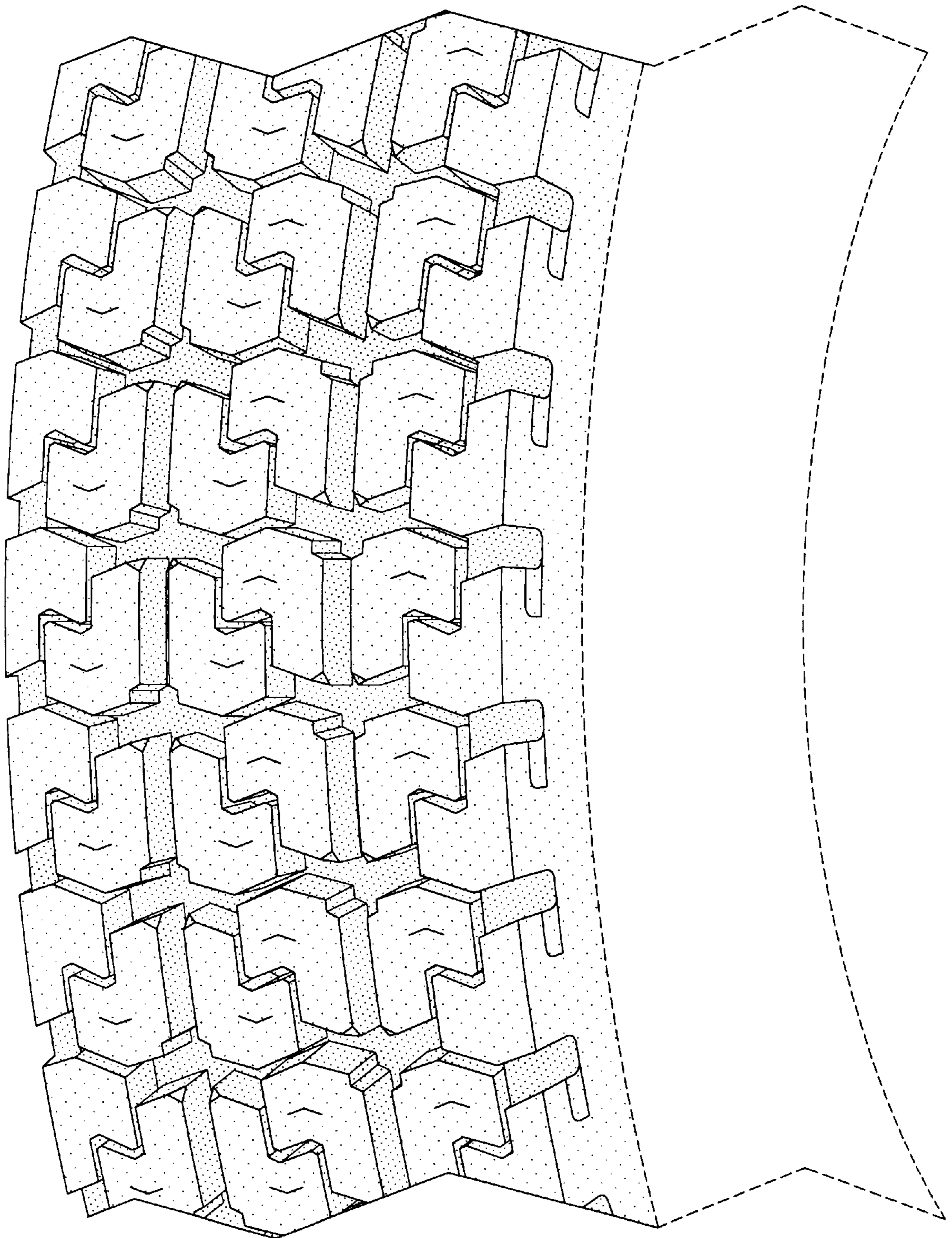


FIG-4

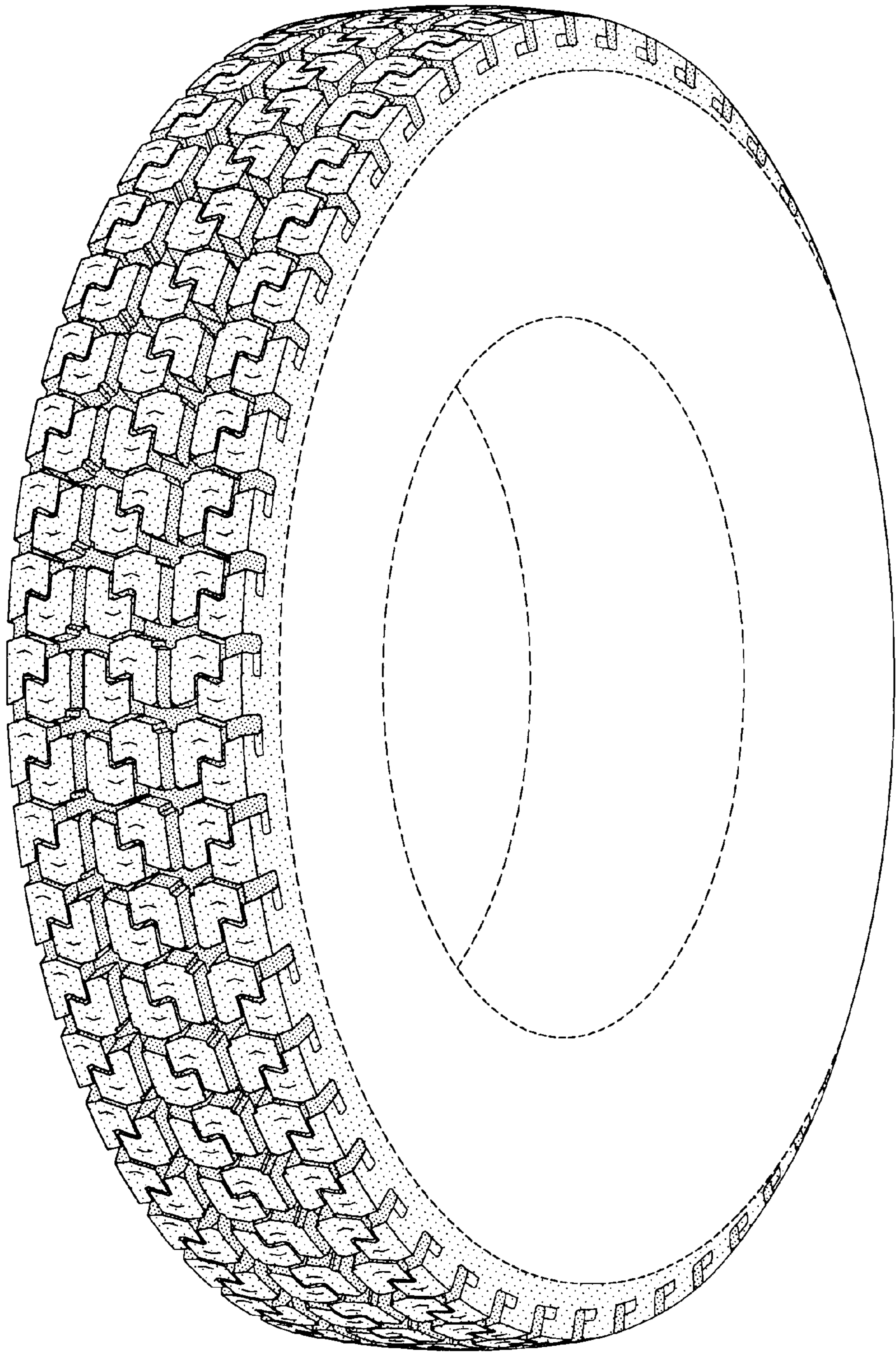


FIG-5

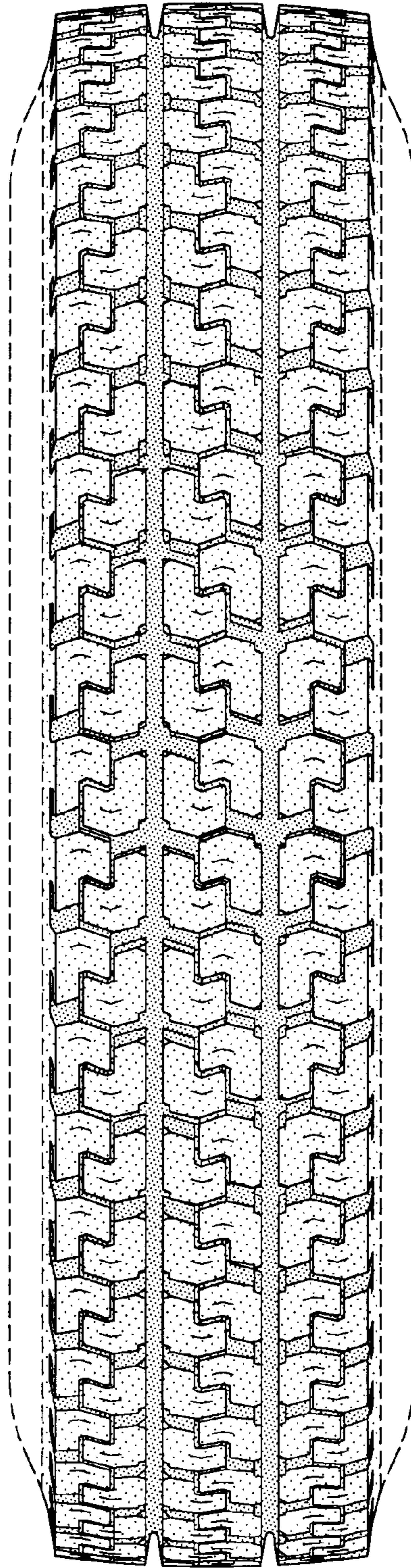


FIG-6

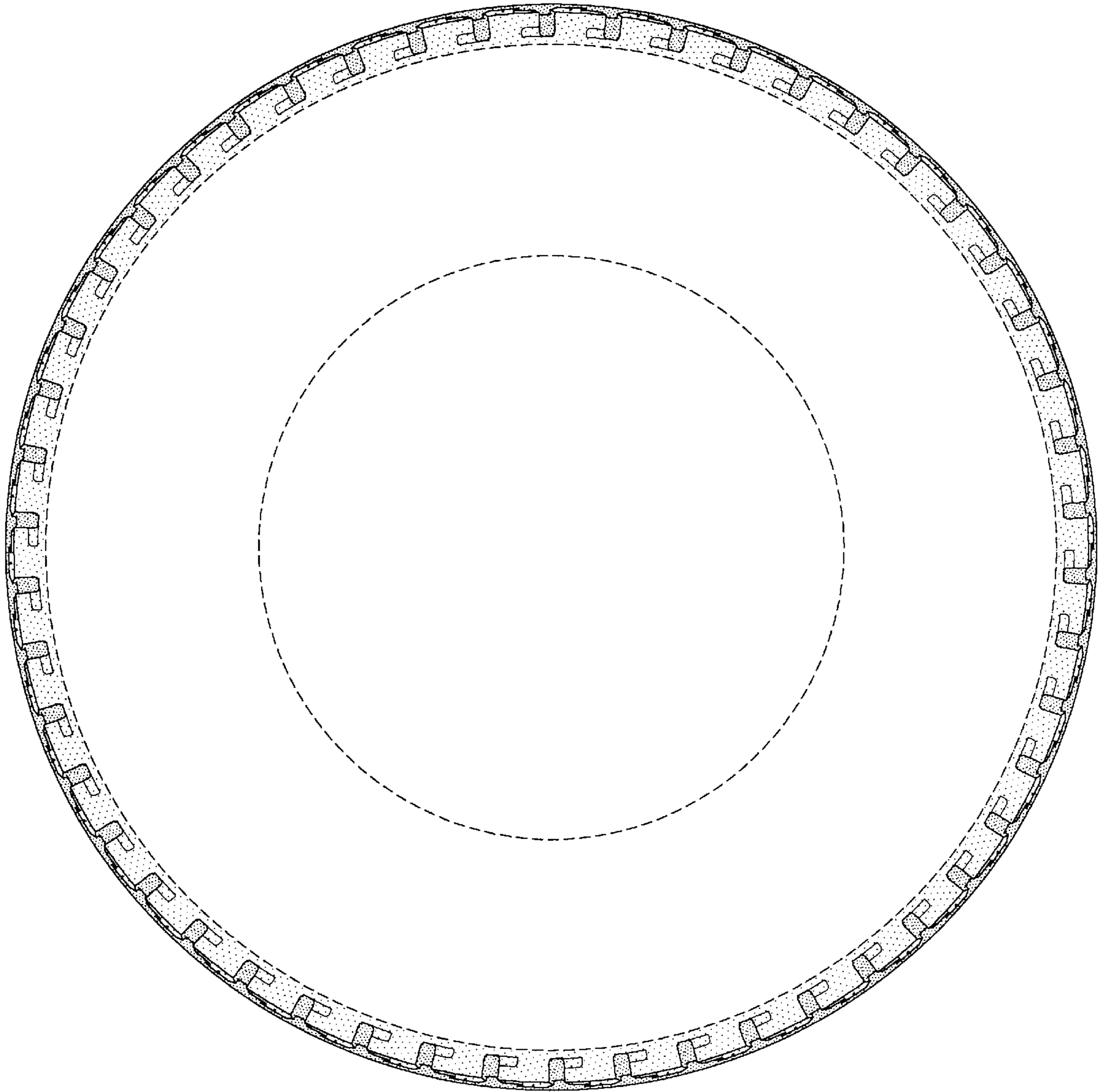


FIG-7

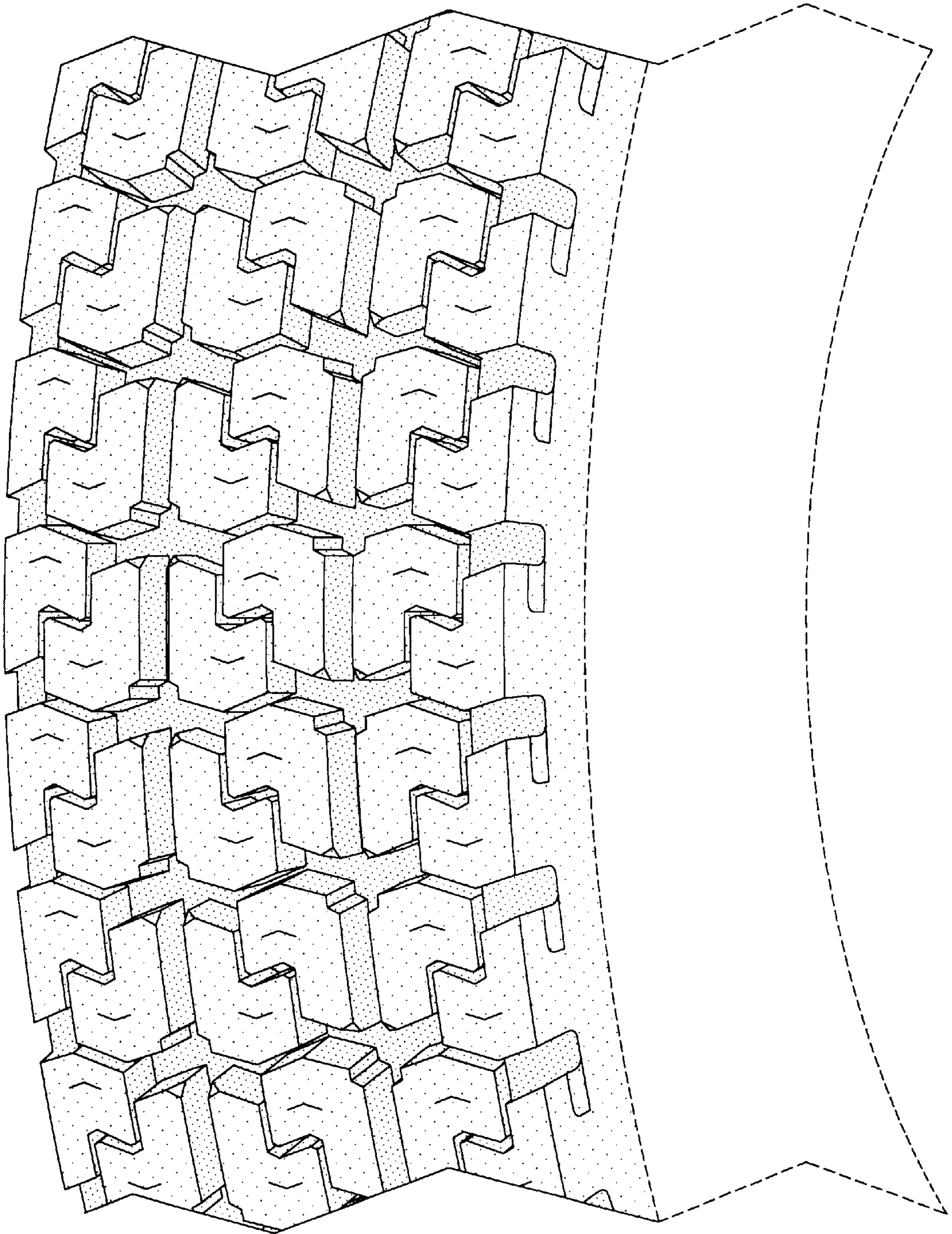


FIG-8