



US00D412291S

United States Patent [19] Apothéloz

[11] Patent Number: **Des. 412,291**

[45] Date of Patent: **** Jul. 27, 1999**

[54] **YARN TESTING APPARATUS**

[75] Inventor: **Christophe Apothéloz**, Zurich, Switzerland

[73] Assignee: **Zellweger Luwa AG**, Uster, Switzerland

[**] Term: **14 Years**

[21] Appl. No.: **29/081,598**

[22] Filed: **Dec. 9, 1997**

[30] **Foreign Application Priority Data**

Jun. 9, 1997 [CH] Switzerland 124 216

[51] **LOC (6) Cl.** **10-04**

[52] **U.S. Cl.** **D10/46**

[58] **Field of Search** D10/46; 78/160, 78/828, 829, 834, 862.44, 865.6

[56] **References Cited**

U.S. PATENT DOCUMENTS

D. 313,942 1/1991 Fellmann et al. D10/46

Primary Examiner—Antoine Duval Davis
Attorney, Agent, or Firm—Burns Doane Swecker & Mathis

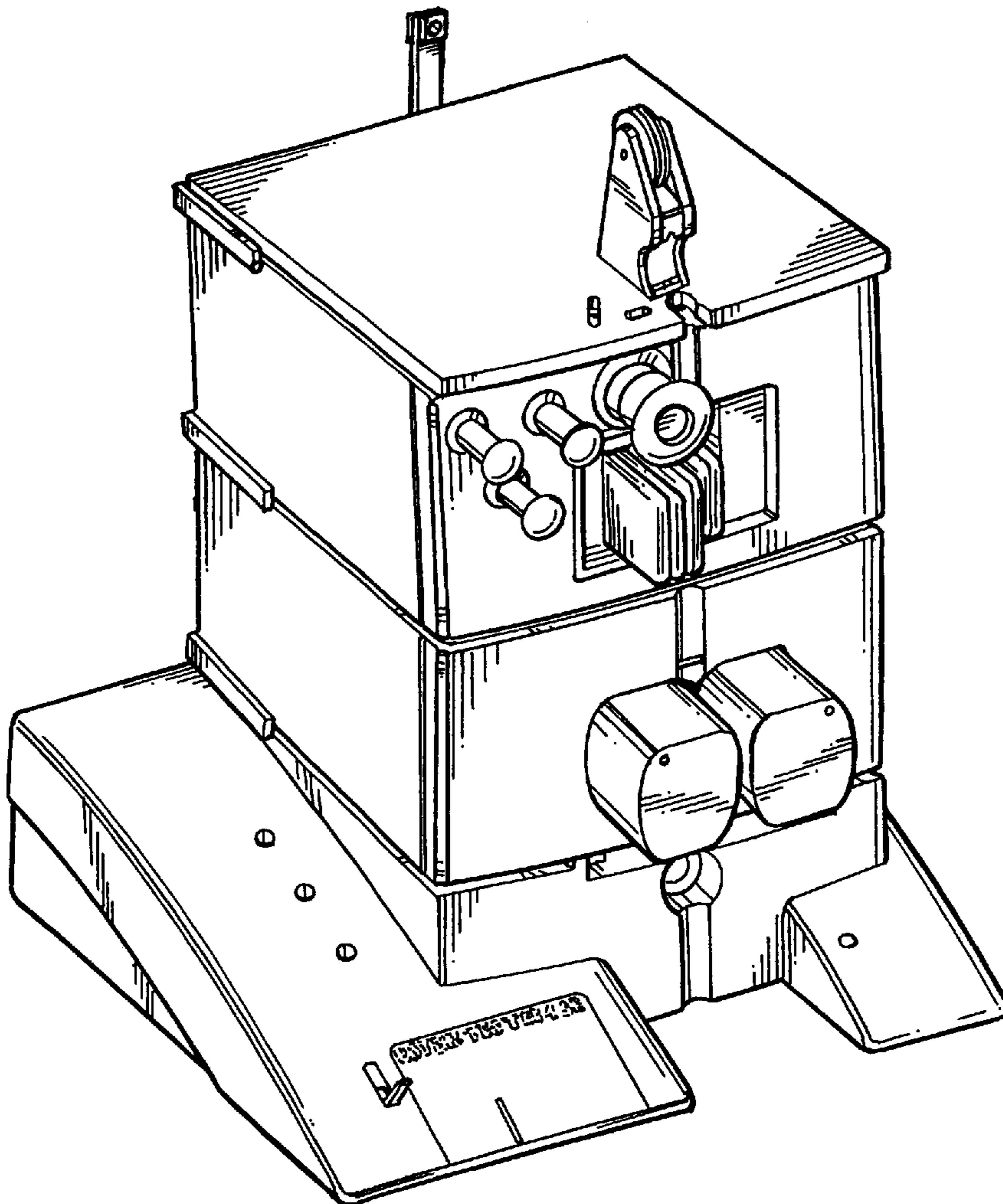
[57] **CLAIM**

The ornamental design for a yarn testing apparatus, as shown and described.

DESCRIPTION

FIG. 1 is a front, left perspective view of a yarn testing apparatus according to my new design;
FIG. 2 is a front, right perspective view thereof;
FIG. 3 is a front elevational view thereof;
FIG. 4 is a rear elevational view thereof;
FIG. 5 is a left side elevational view thereof;
FIG. 6 is a right side elevational view thereof;
FIG. 7 is a bottom plan view thereof; and,
FIG. 8 is a top plan view thereof.

1 Claim, 4 Drawing Sheets



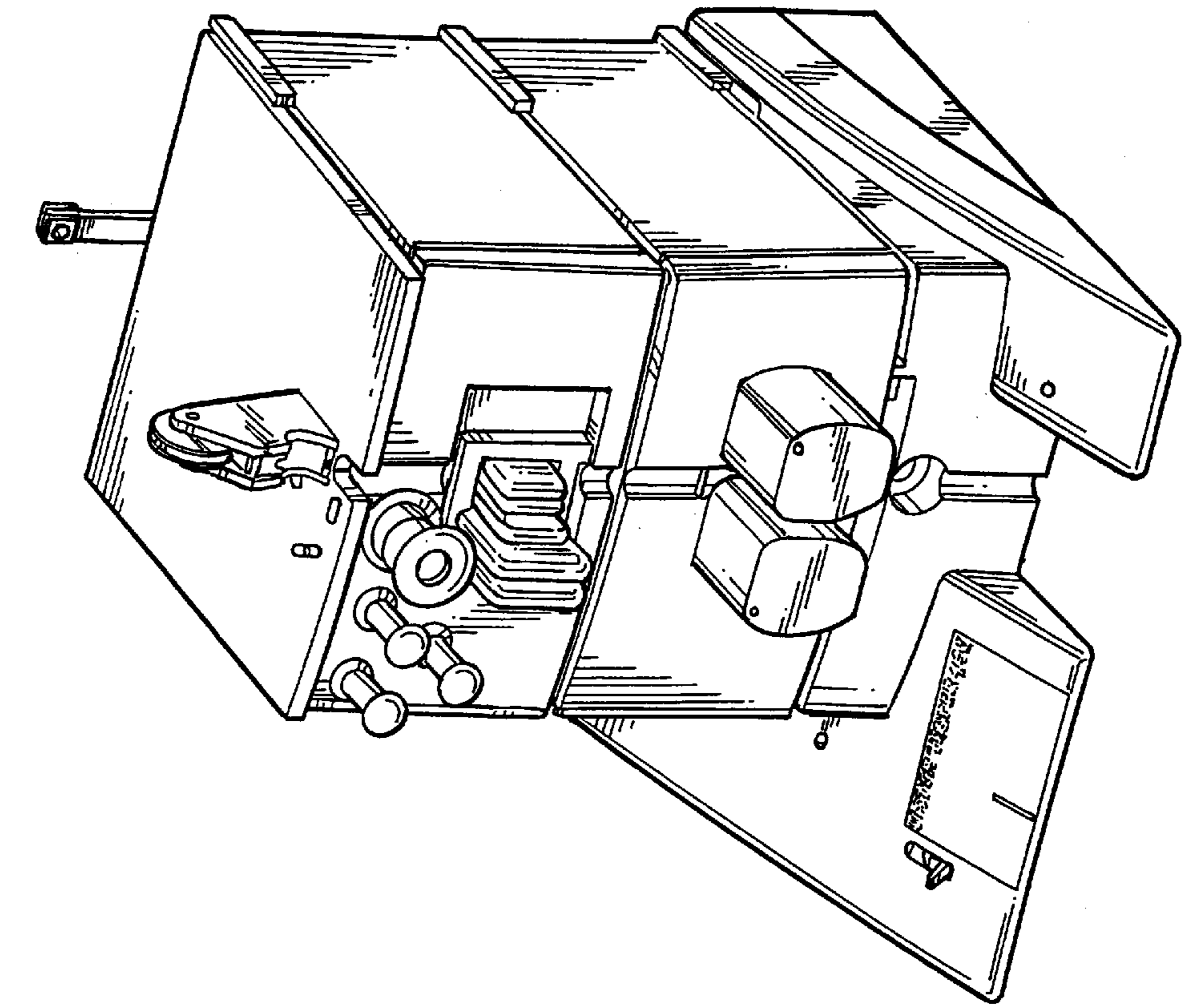


FIG. 2

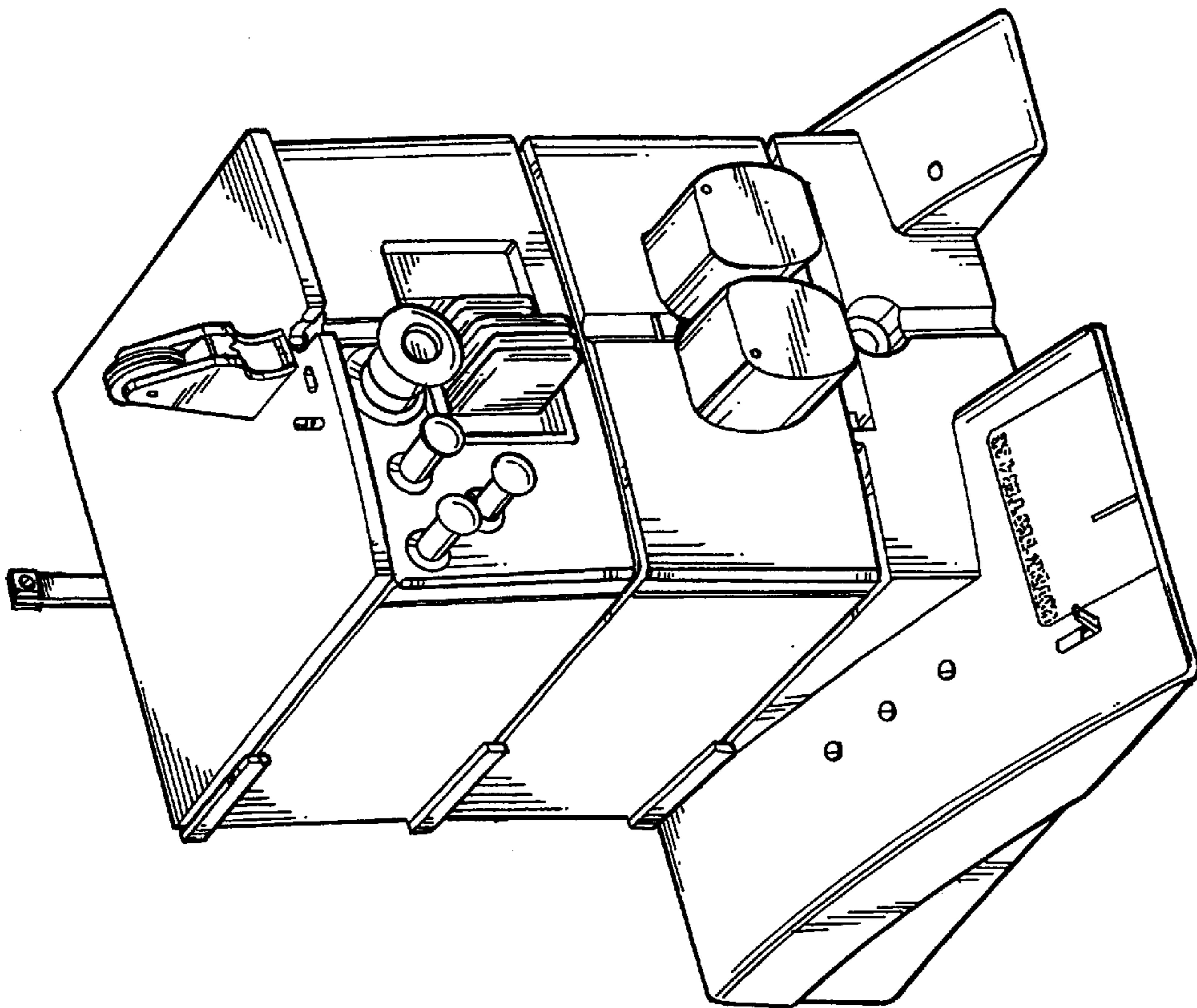


FIG. 1

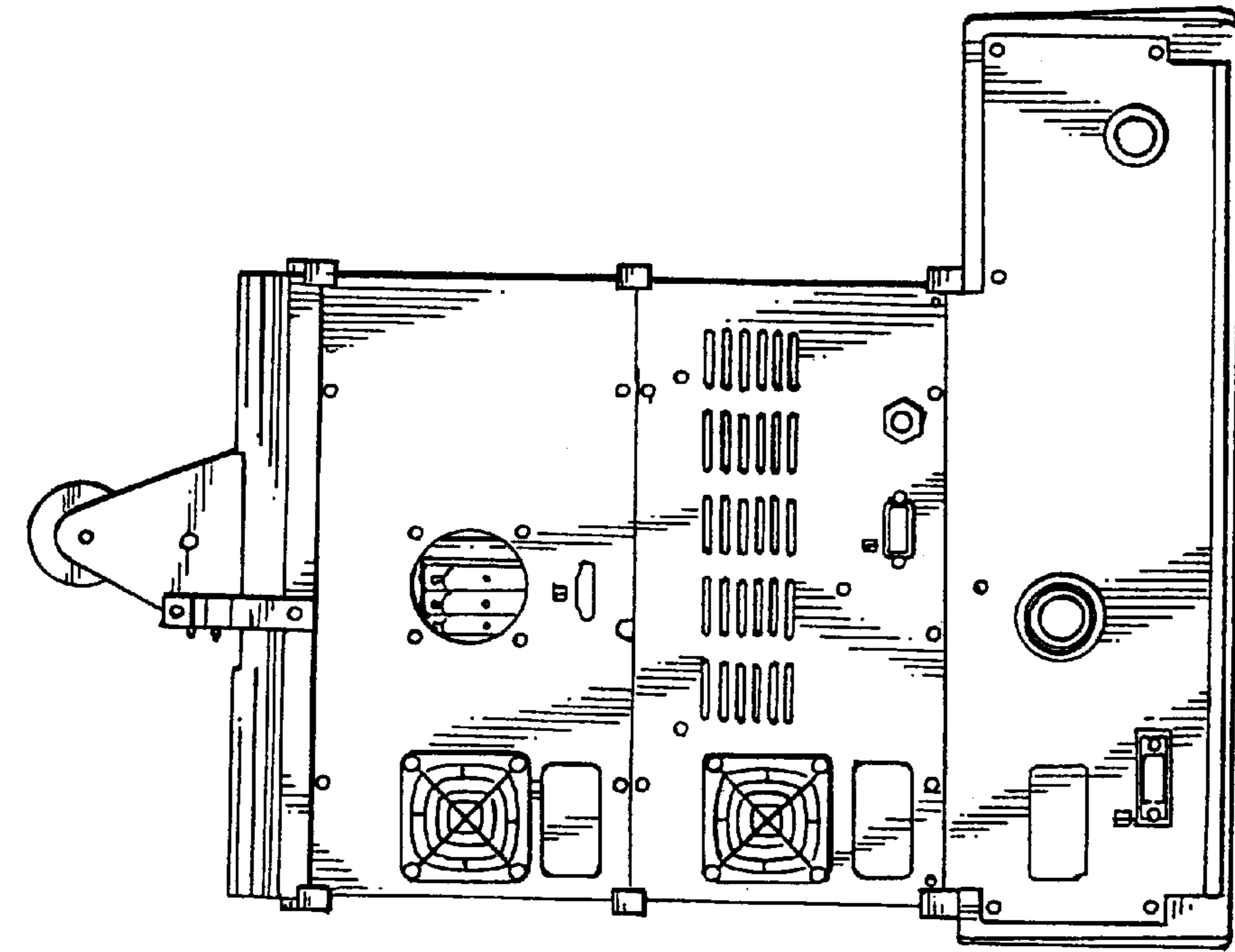


FIG. 3

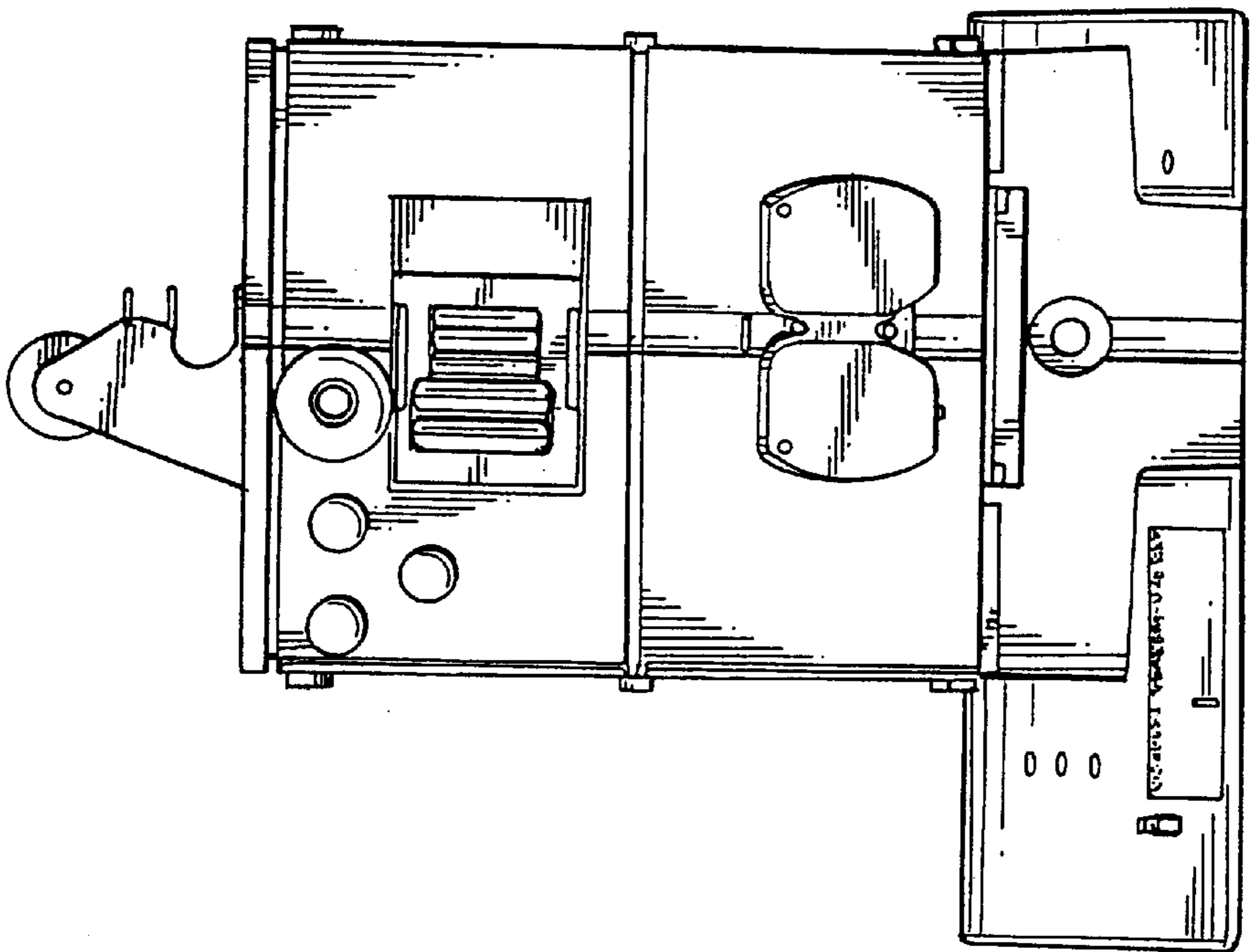


FIG. 4

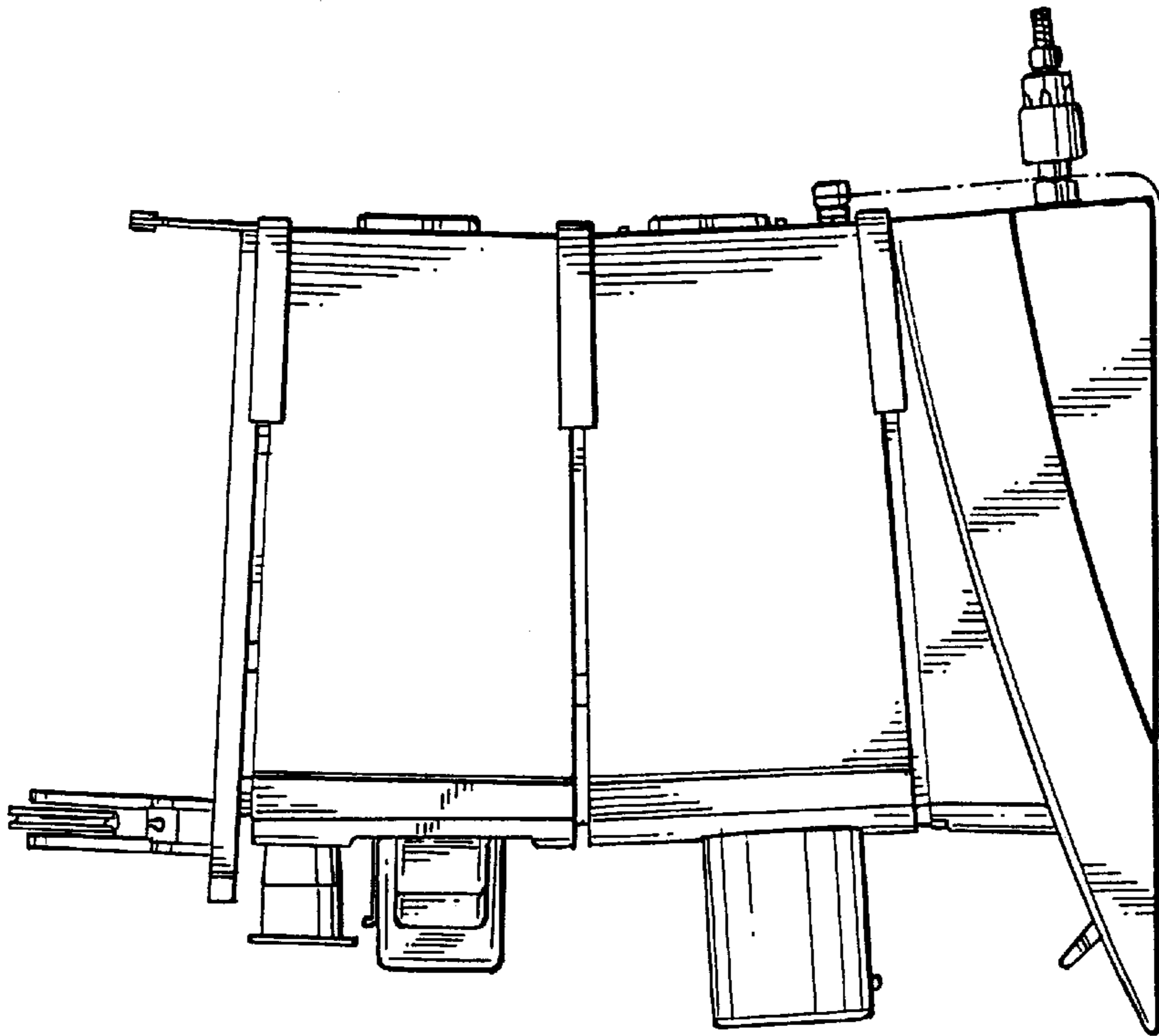


FIG. 6

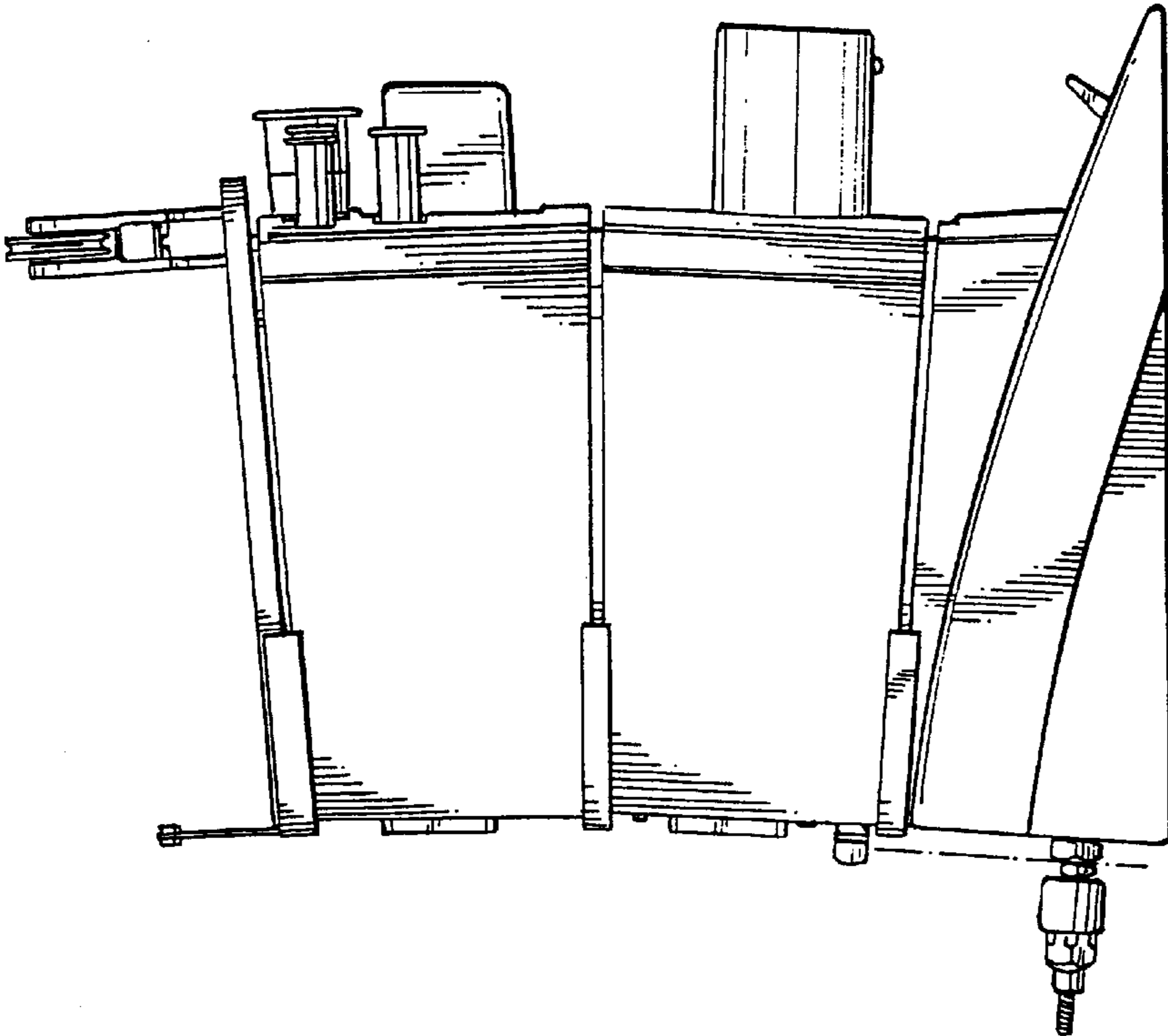


FIG. 5

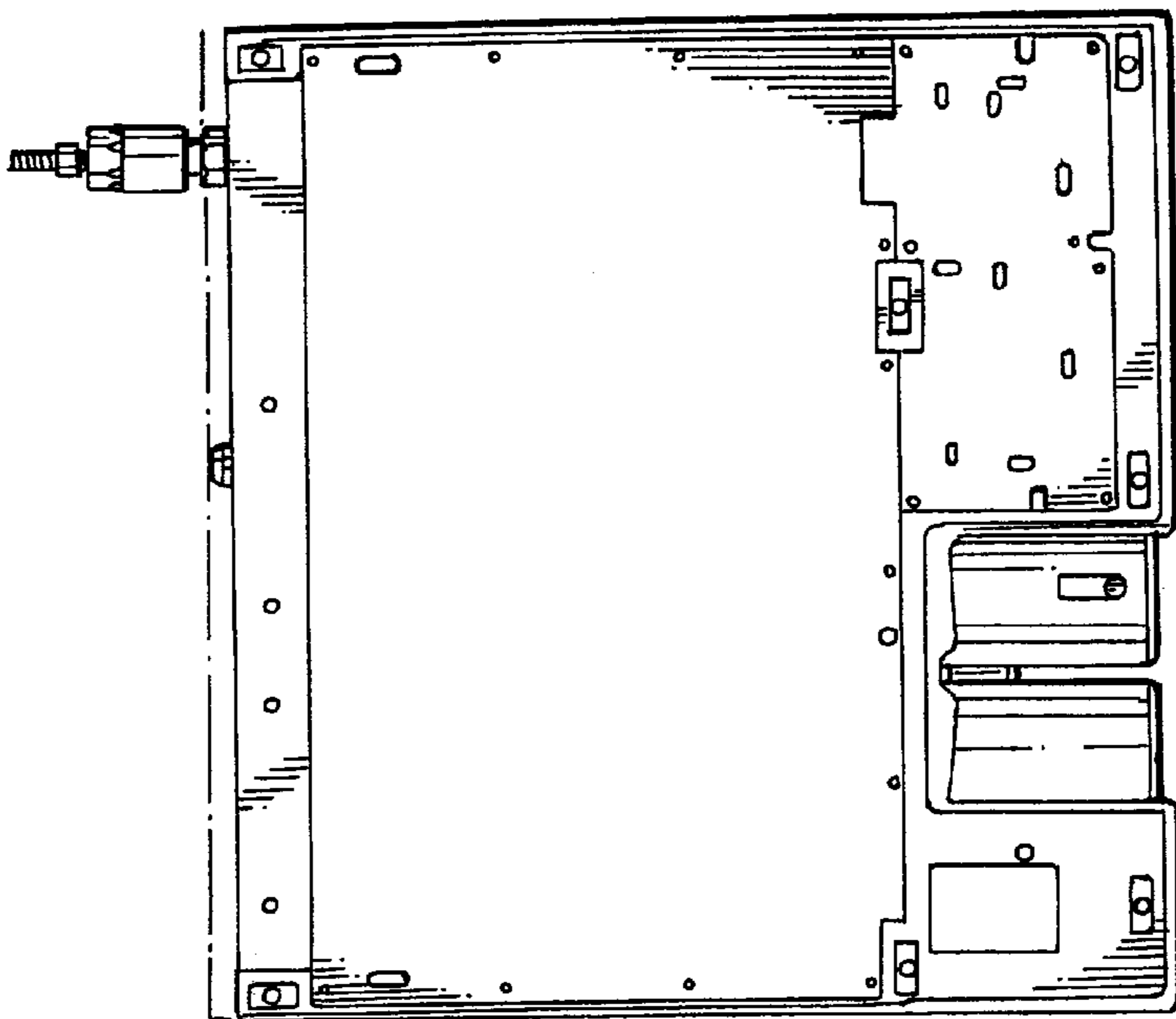


FIG. 7

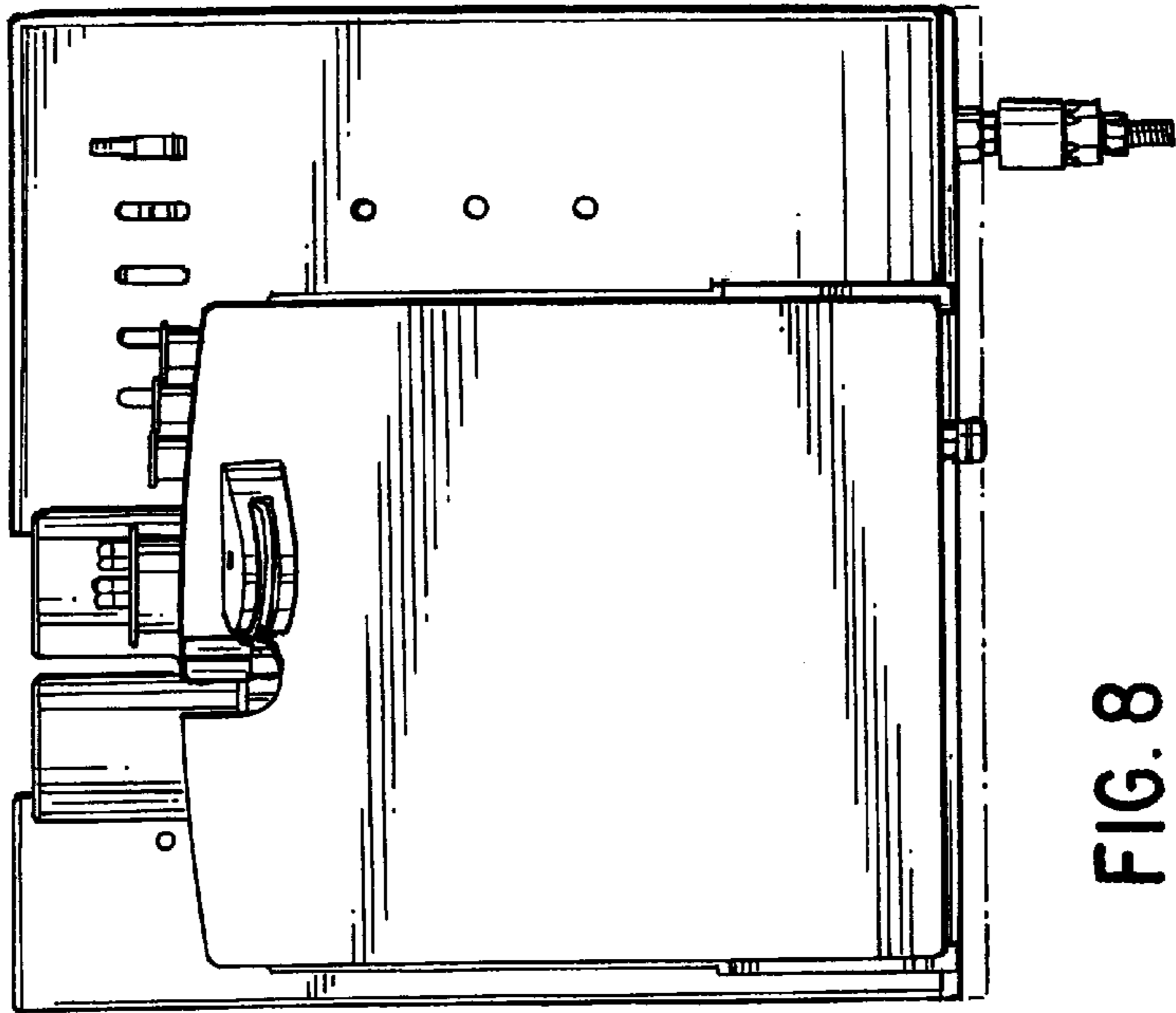


FIG. 8