



US00D412290S

**United States Patent** [19]  
**Apothéloz**

[11] **Patent Number: Des. 412,290**

[45] **Date of Patent: \*\* Jul. 27, 1999**

[54] **YARN TESTING APPARATUS**

[75] Inventor: **Christophe Apothéloz**, Zurich,  
Switzerland

[73] Assignee: **Zellweger Luwa AG**, Uster,  
Switzerland

[\*\*] Term: **14 Years**

[21] Appl. No.: **29/080,474**

[22] Filed: **Dec. 9, 1997**

[30] **Foreign Application Priority Data**

Jun. 9, 1997 [CH] Switzerland ..... 124 216

[51] **LOC (6) Cl.** ..... **10-04**

[52] **U.S. Cl.** ..... **D10/46**

[58] **Field of Search** ..... D10/46; 73/160,  
73/828, 829, 834, 862.44, 865.6

[56] **References Cited**

**U.S. PATENT DOCUMENTS**

D. 313,942 1/1991 Fellmann et al. .... D10/46

*Primary Examiner*—Antoine Duval Davis  
*Attorney, Agent, or Firm*—Burns Doane Swecker & Mathis  
L.L.P.

[57] **CLAIM**

The ornamental design for a yarn testing apparatus, as shown and described.

**DESCRIPTION**

FIG. 1 is a front perspective view of a yarn testing apparatus according to my new design;

FIG. 2 is a front elevational view thereof;

FIG. 3 is a rear elevational view thereof;

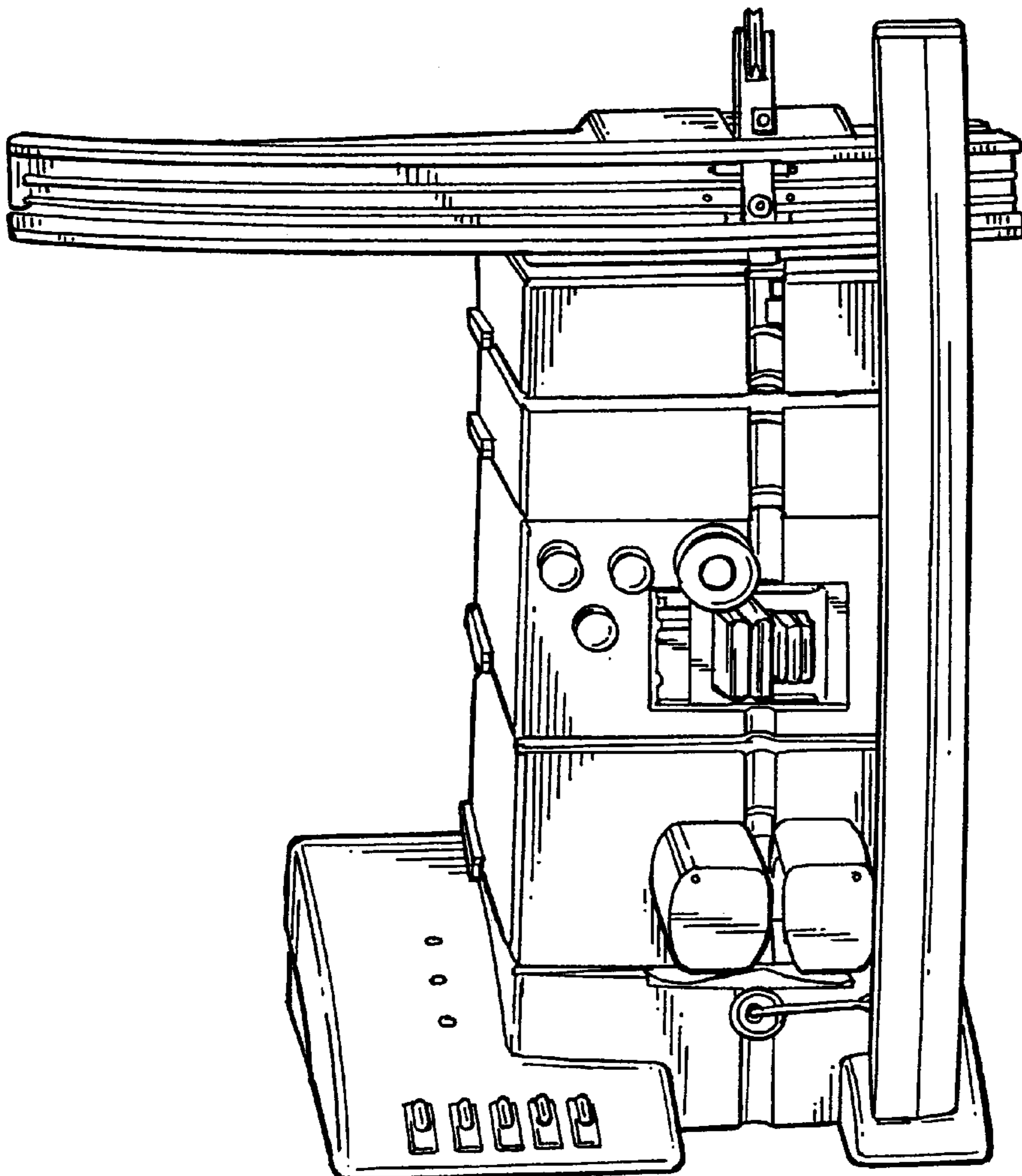
FIG. 4 is a left side elevational view thereof;

FIG. 5 is a right side elevational view thereof;

FIG. 6 is a bottom plan view thereof; and,

FIG. 7 is a top plan view thereof.

**1 Claim, 4 Drawing Sheets**



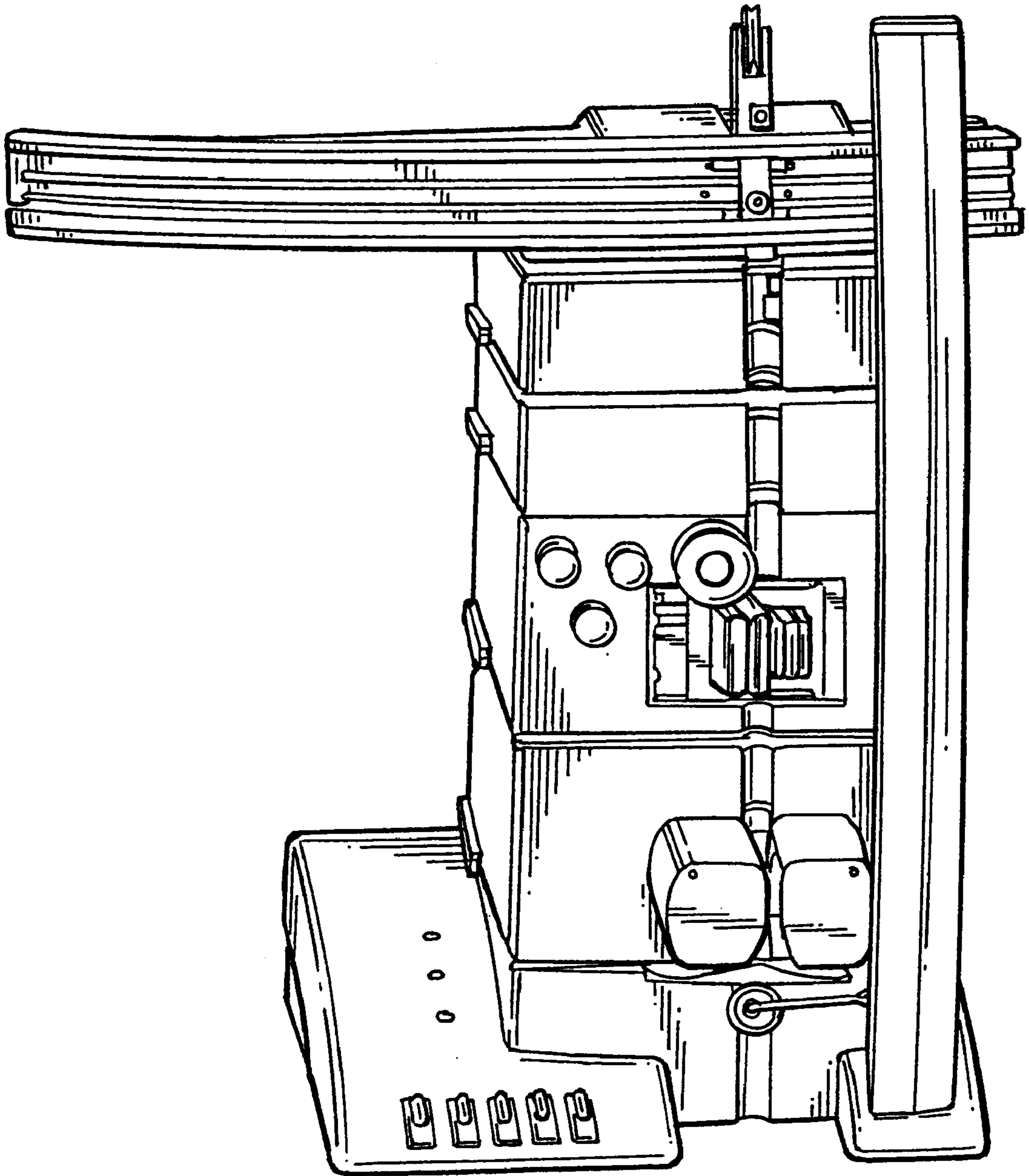


FIG. 1

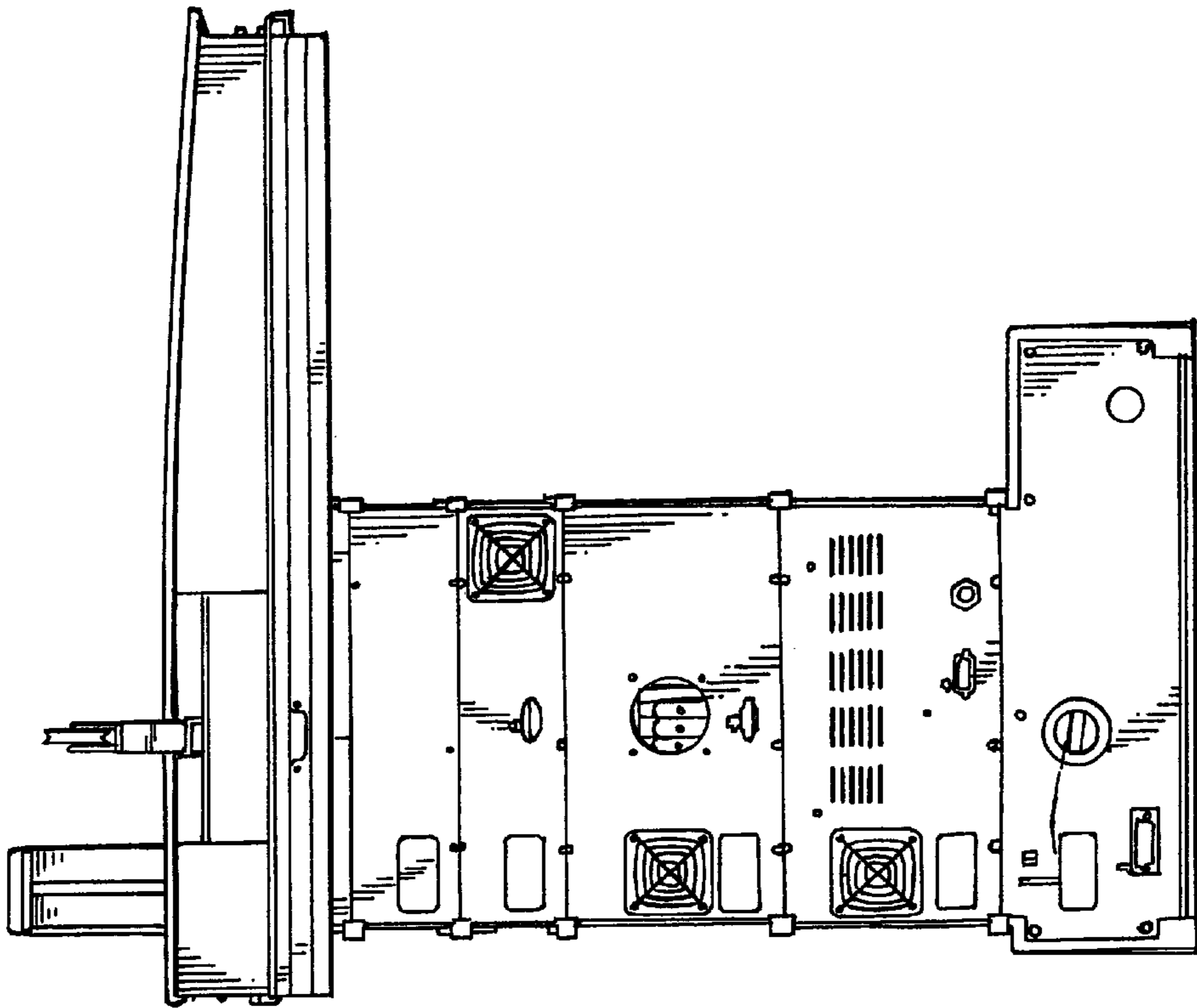


FIG. 2

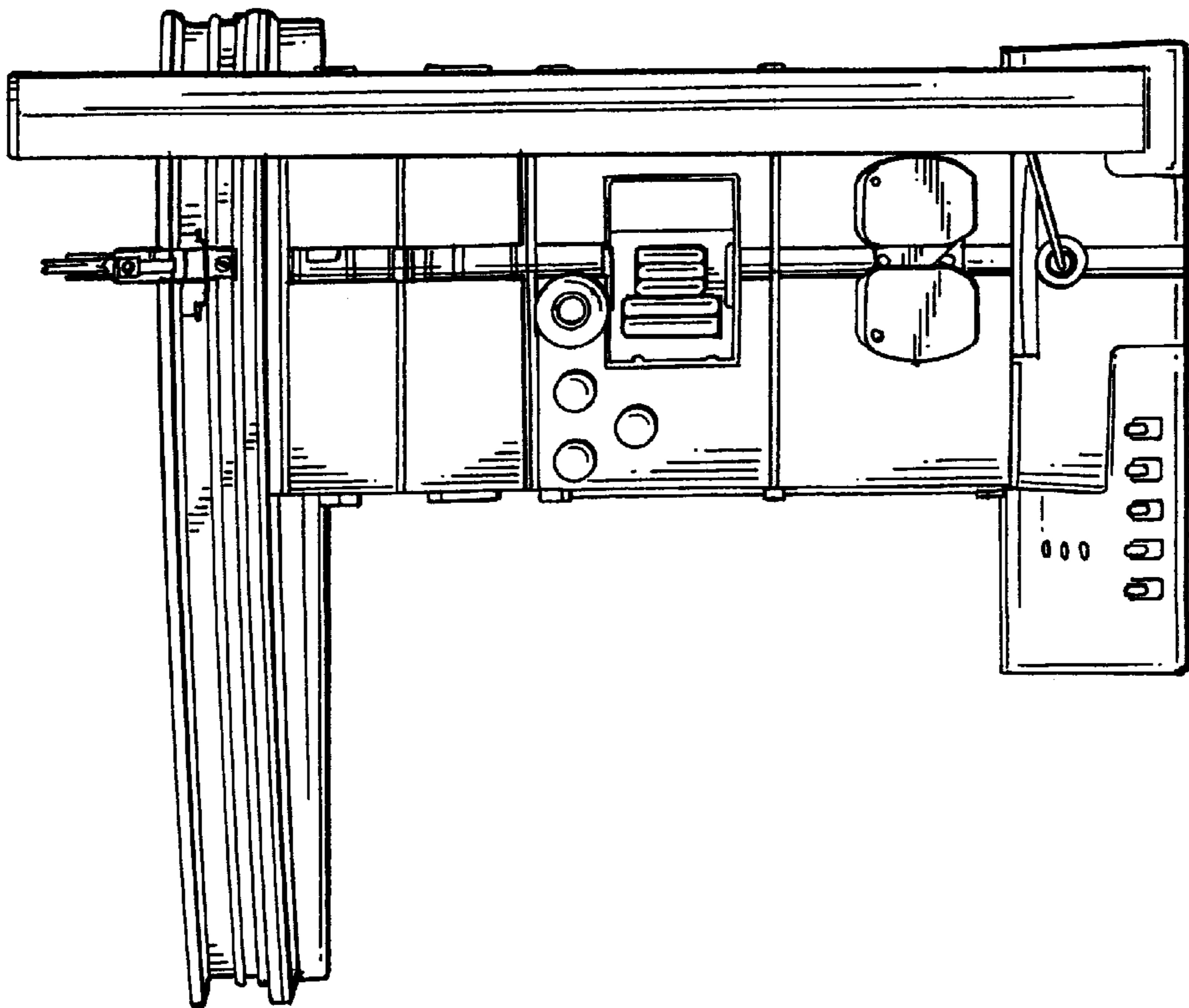


FIG. 3

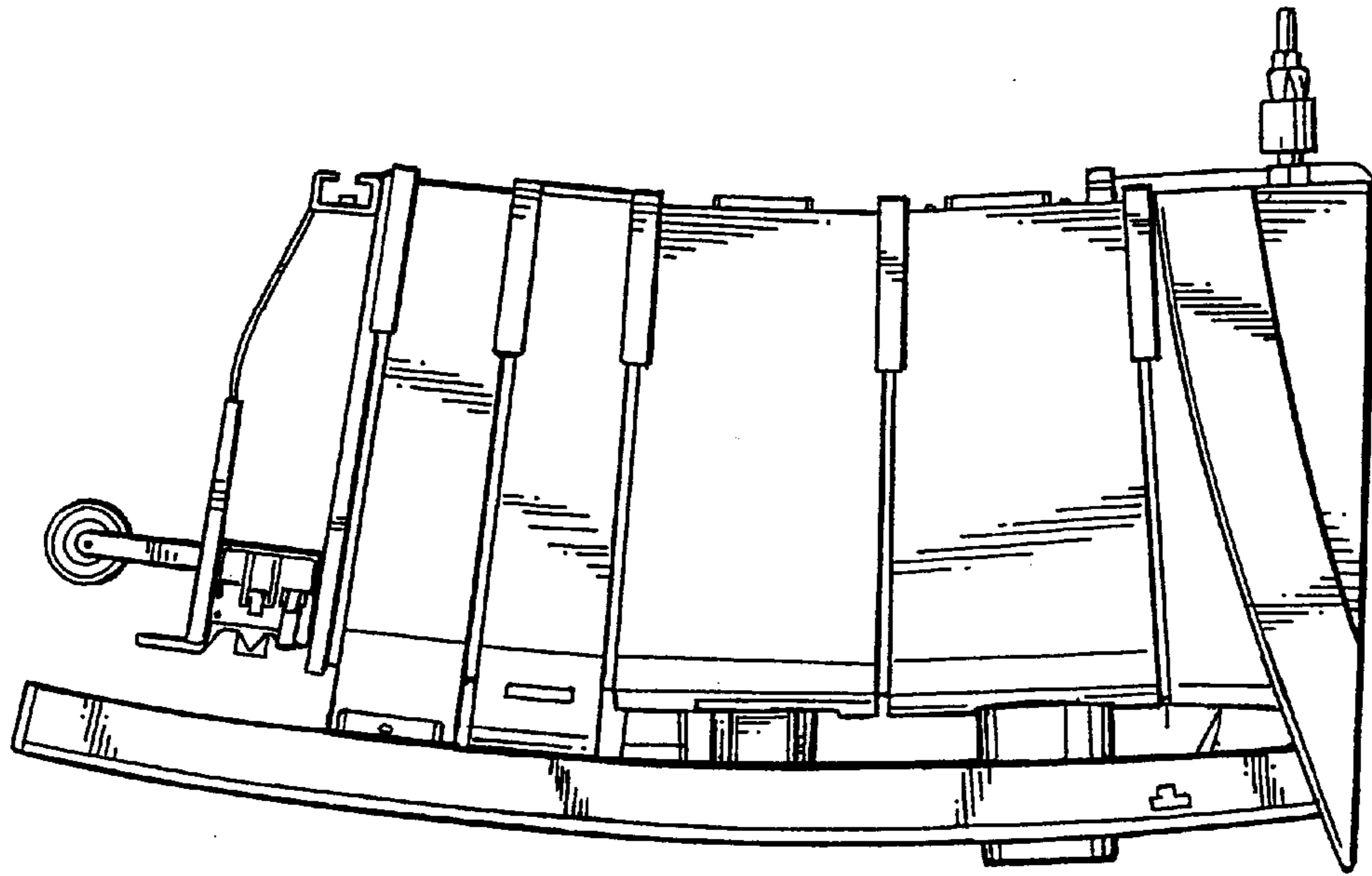


FIG. 5

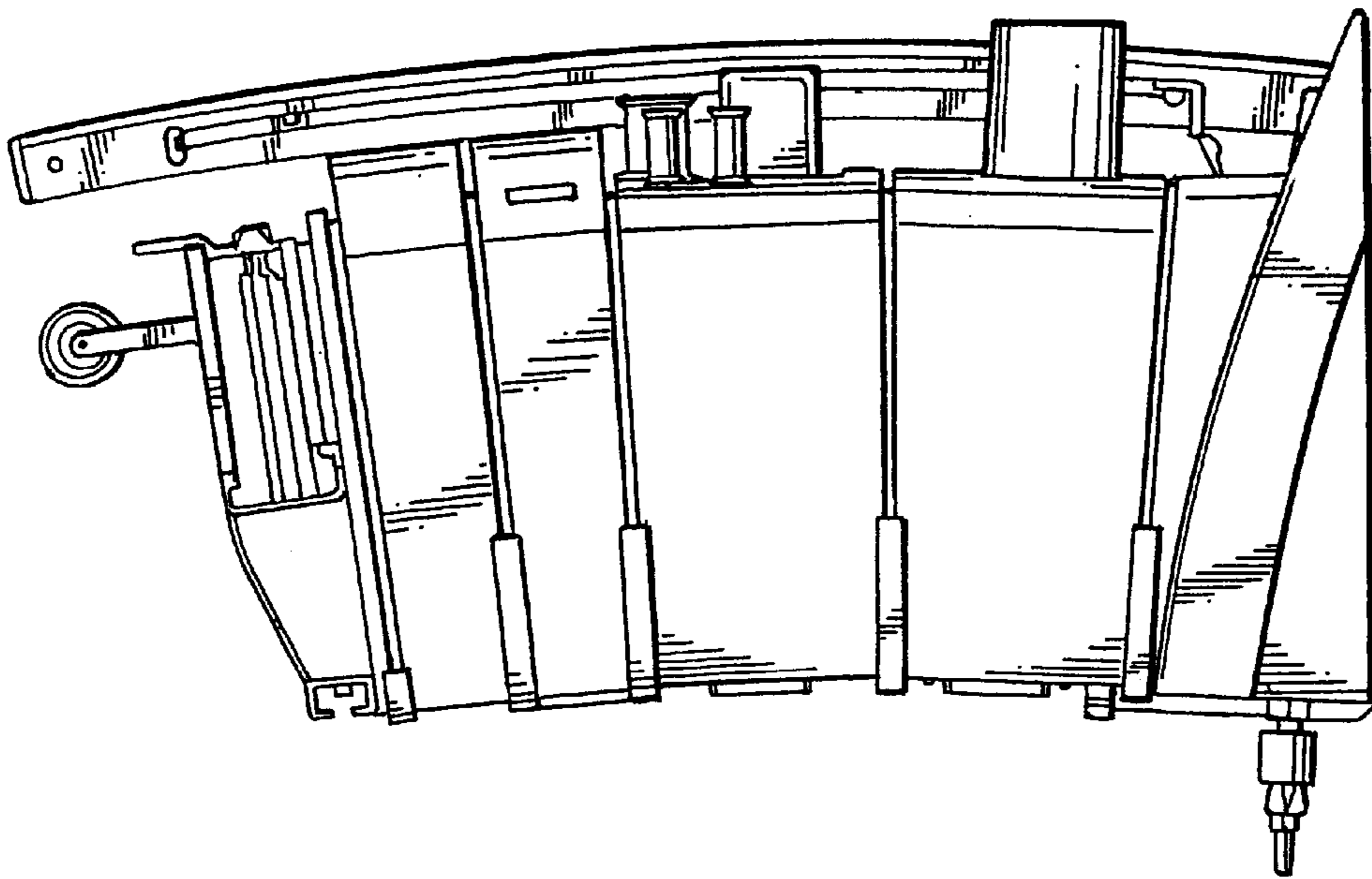


FIG. 4

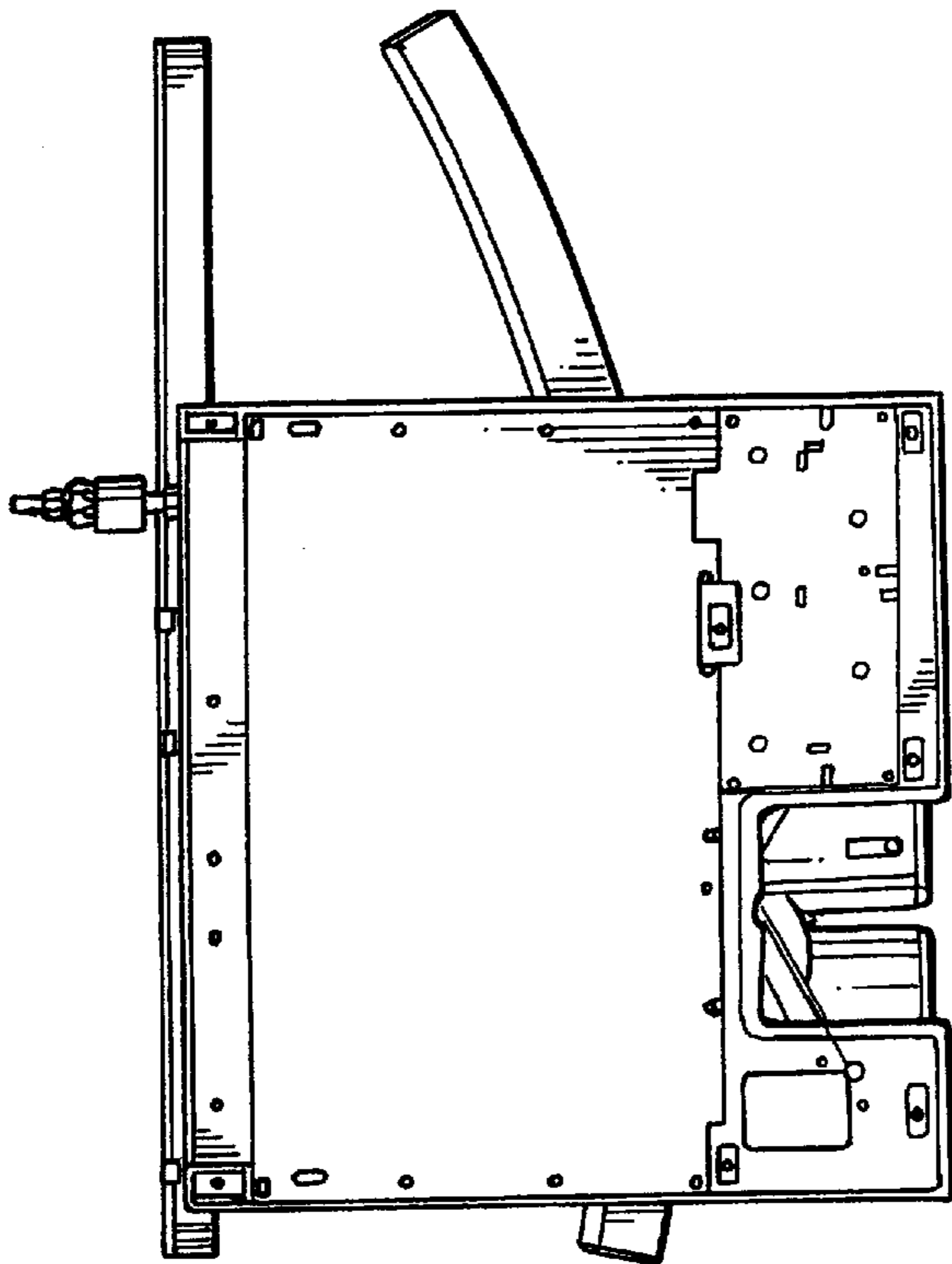


FIG. 6

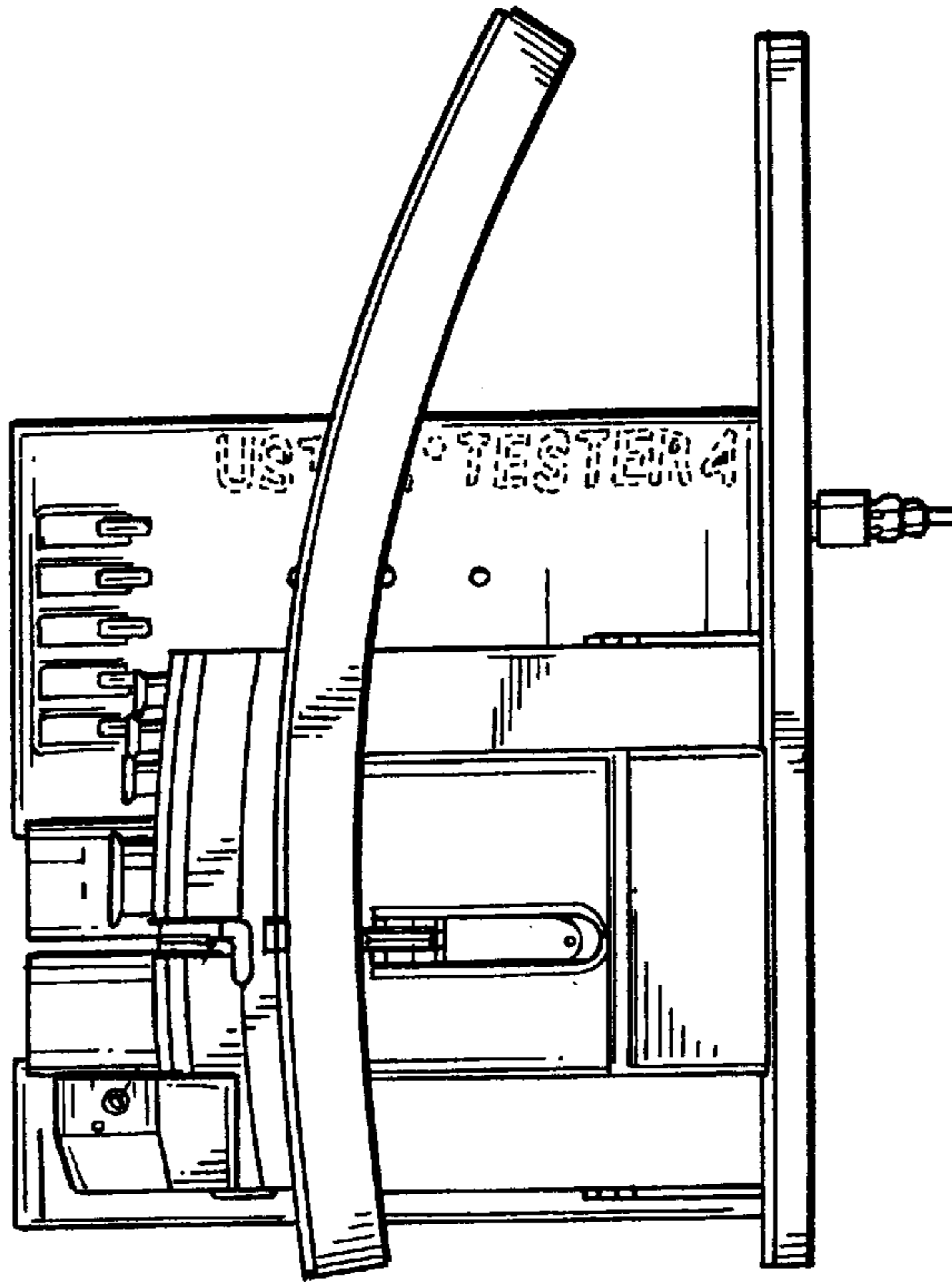


FIG. 7