



US00D412285S

United States Patent [19]

Alesi et al.

[11] Patent Number: Des. 412,285

[45] Date of Patent: ** *Jul. 27, 1999

[54] **ELECTROLUMINESCENT CLOCK HOUSING**

[75] Inventors: **Vincent Alesi**, Bartlett; **Norman L. Matthew**, Highland Park, both of Ill.

[73] Assignee: **Custom Accessories, Inc.**, Niles, Ill.

[*] Notice: This patent is subject to a terminal disclaimer.

[**] Term: **14 Years**

[21] Appl. No.: **29/080,885**

[22] Filed: **Dec. 18, 1997**

[51] **LOC (6) Cl.** **10-01**

[52] **U.S. Cl.** **D10/15; D10/1**

[58] **Field of Search** D10/1-40, 122-132; 368/280-282, 276-277, 28-30, 285, 239-242, 243-249, 82-84, 41-44

[56] **References Cited**

U.S. PATENT DOCUMENTS

- D. 252,801 9/1979 Usuda D10/15
- D. 337,569 7/1993 Kando D14/113 X
- D. 375,688 11/1996 Hagadorn D10/15
- D. 377,609 1/1997 Marguerie D10/15
- D. 386,419 11/1997 Cuung D10/1

OTHER PUBLICATIONS

Custom Accessories, Inc.'s 1996-1997 Catalog—pp. 14, 15, 16, 17, 38.
 Custom Accessories, Inc.'s 1996 New Items Catalog—pp. 27, 29.

Custom Accessories, Inc.'s 1995 New Items Catalog—pp. 10, 12.
 Custom Accessories, Inc.'s 1994 Catalog—pp. 11, 12, 13, 22, 23.
 Custom Accessories, Inc.'s 1994 New Items Catalog—pp. 7, 8, 9, 12.
 Custom Accessories, Inc.'s 1993 New Items Catalog—p. 5.
 Custom Accessories, Inc.'s 1991 Catalog—pp. 3, 4, 5, 30, 31.
 Warshawsky/Whitney & Co.'s 1992 Catalog—pp. S-5, 40.
 Warshawsky/Whitney & Co.'s 1984 Catalog—pp. 92, 93.
 Cal Custom/Hollywood Accessories' 1987 New Products Catalog—pp. 2, 3.
 Hollywood Accessories' 1984 New Products Catalog—18, 19, 21.
 Hollywood Accessories' 1979 New Products Catalog—pp. 40, 41.

Primary Examiner—Nelson C. Holtje
Attorney, Agent, or Firm—Factor and Shaftal

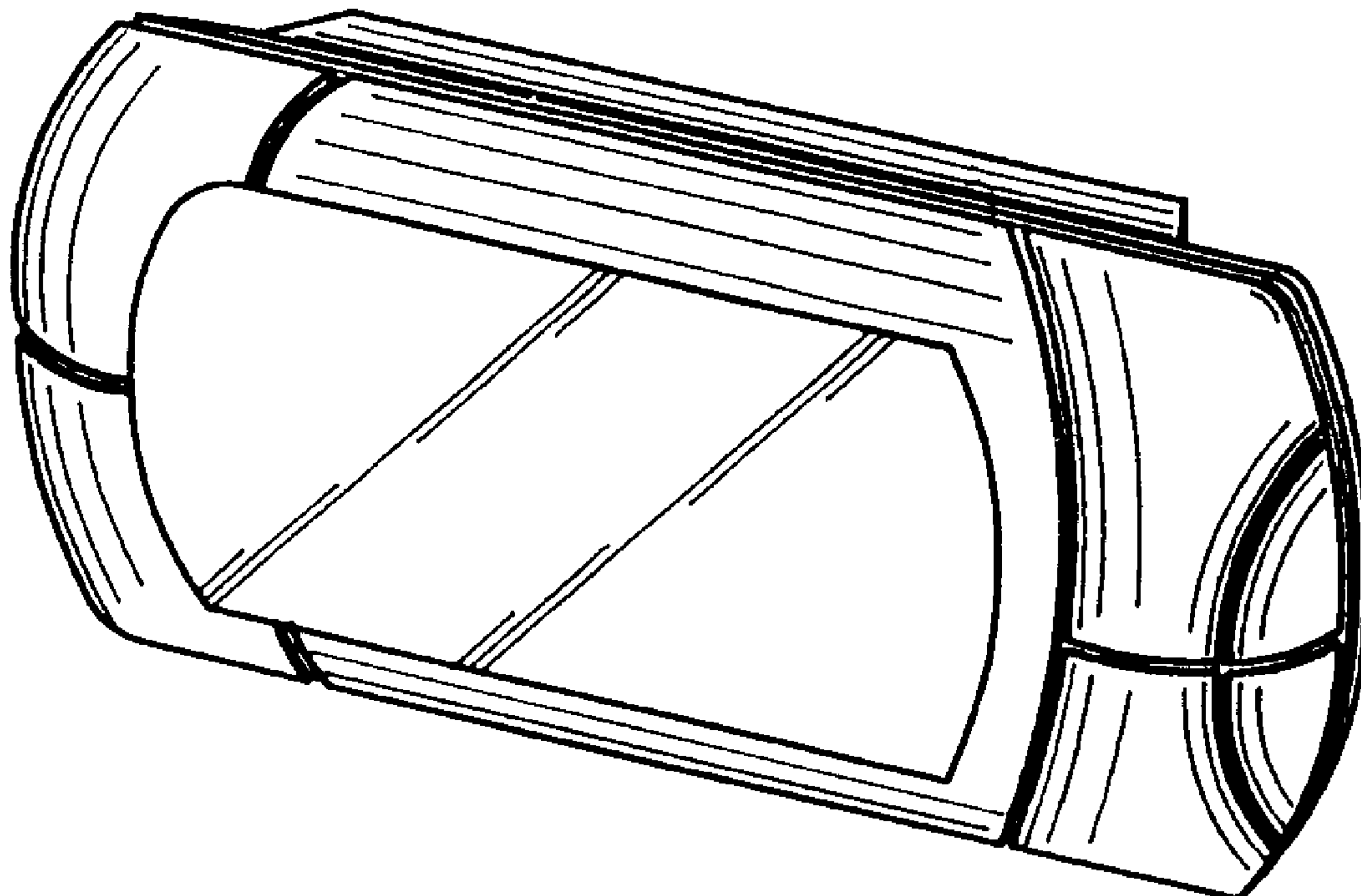
[57] **CLAIM**

The ornamental design for a electroluminescent clock housing, as described and shown.

DESCRIPTION

FIG. 1 is a front perspective view of the electroluminescent clock housing showing our new ornamental design thereof; FIG. 2 is a front plan view thereof; FIG. 3 is a back plan view thereof; FIG. 4 is a top plan thereof; FIG. 5 is a bottom plan thereof; FIG. 6 is a right plan view thereof; and, FIG. 7 is a left plan thereof.

1 Claim, 1 Drawing Sheet



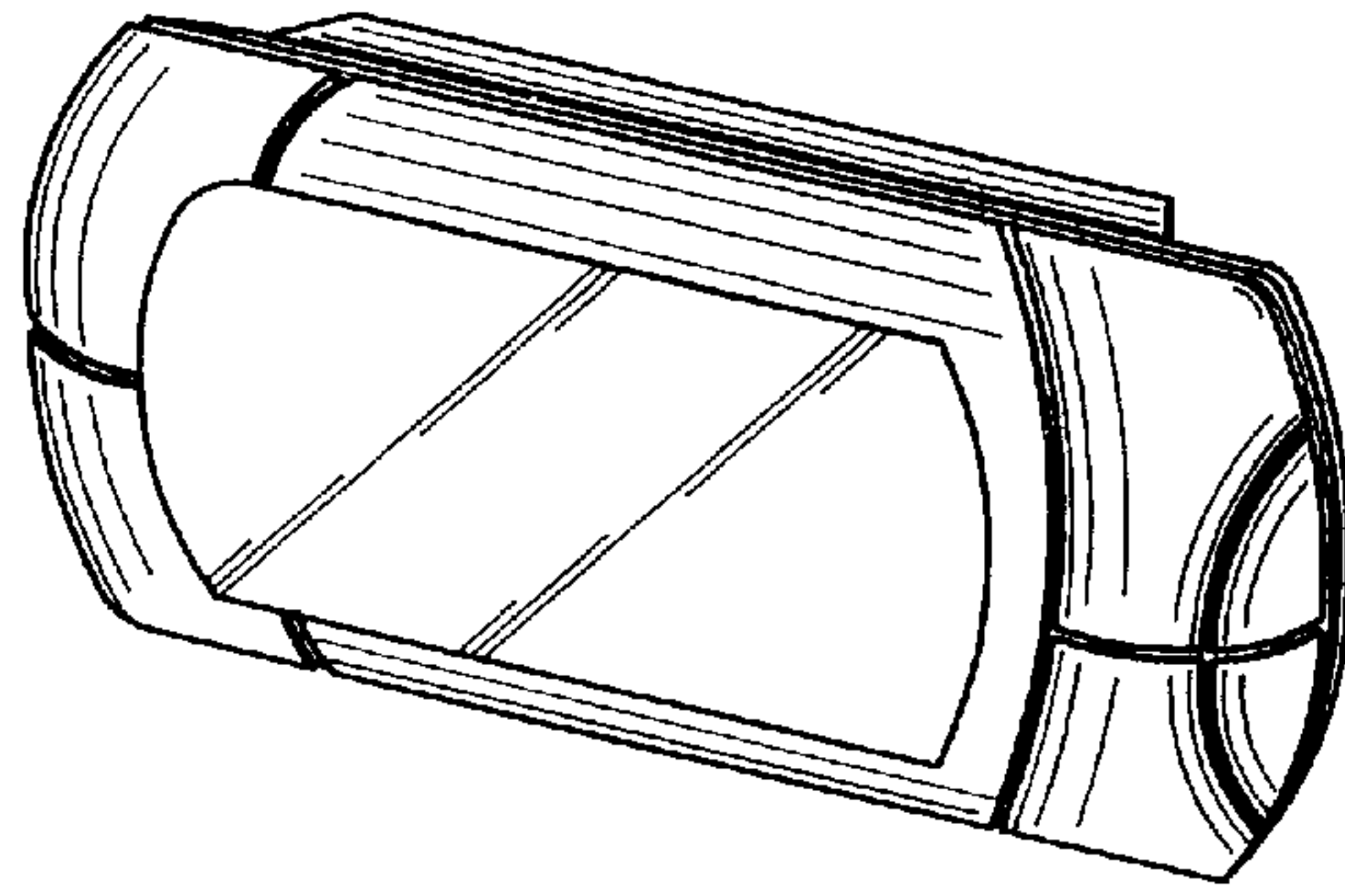


FIG. 1

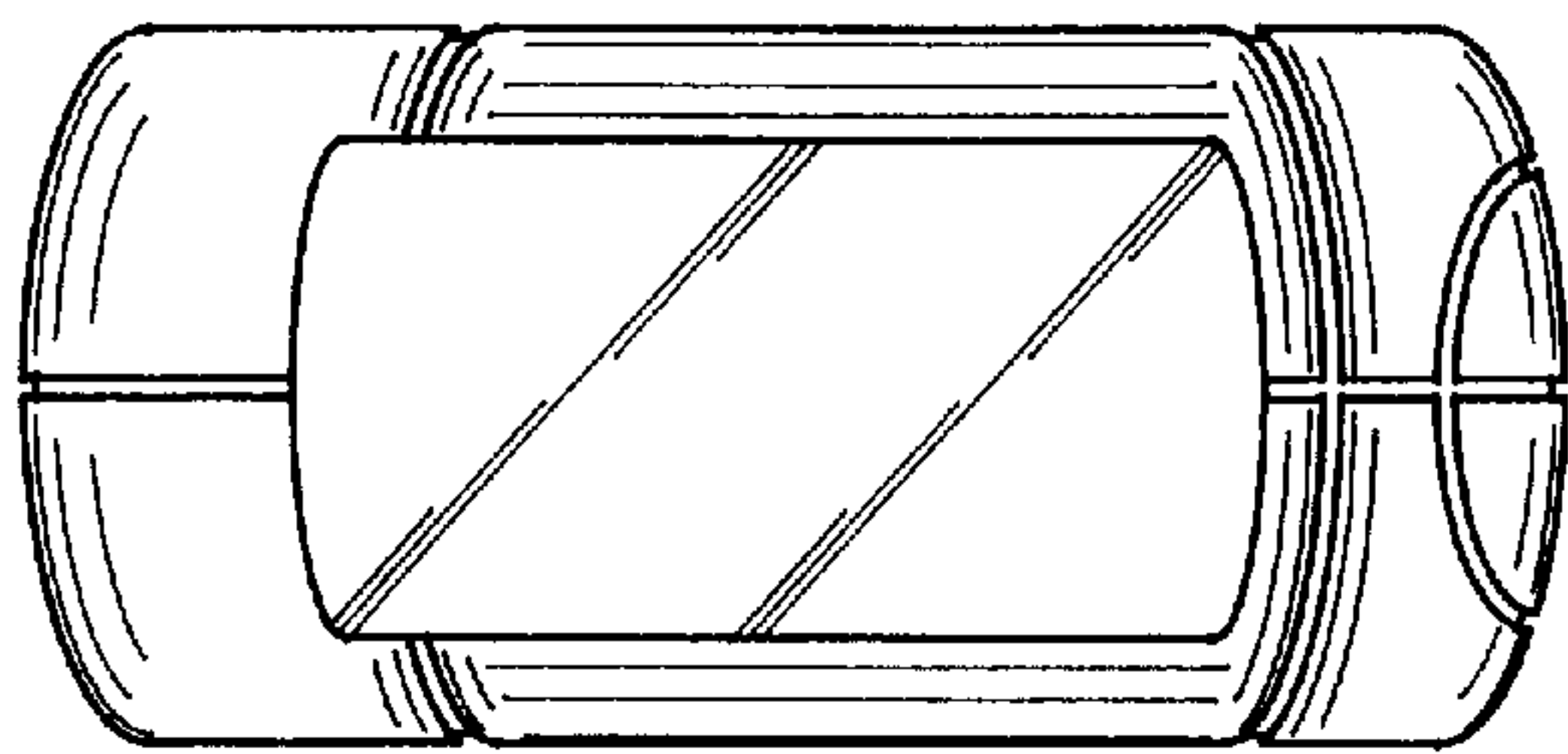


FIG. 2

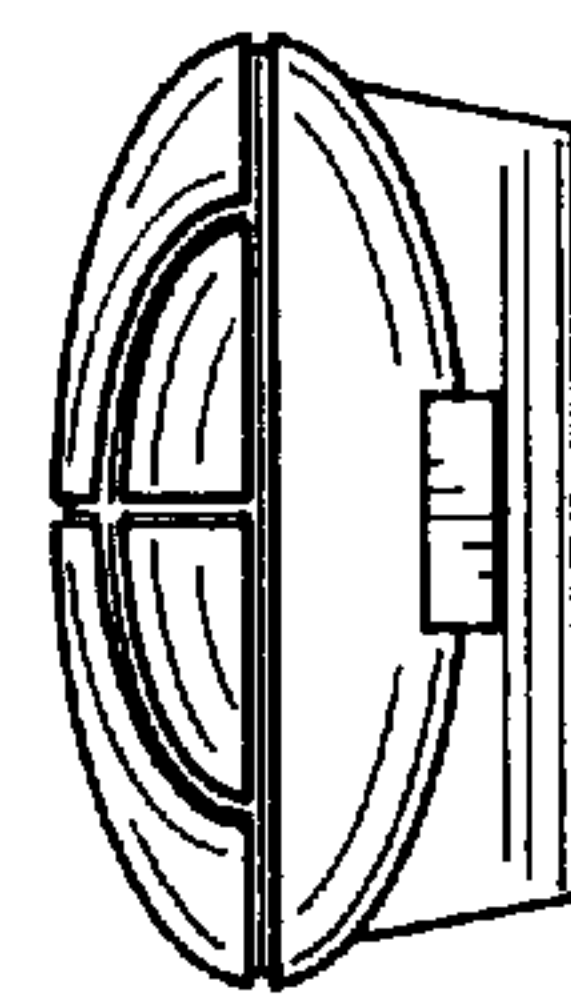


FIG. 6

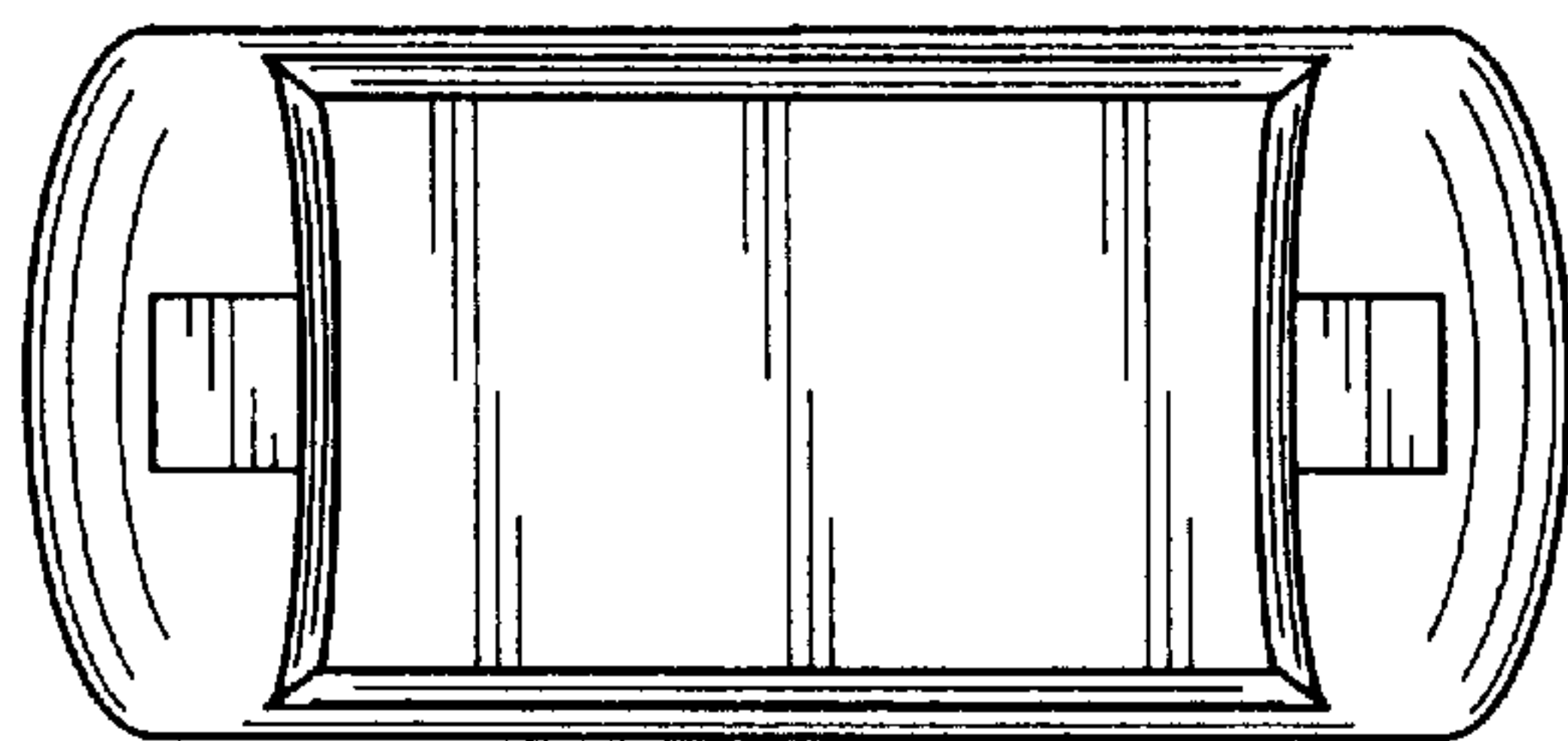


FIG. 3

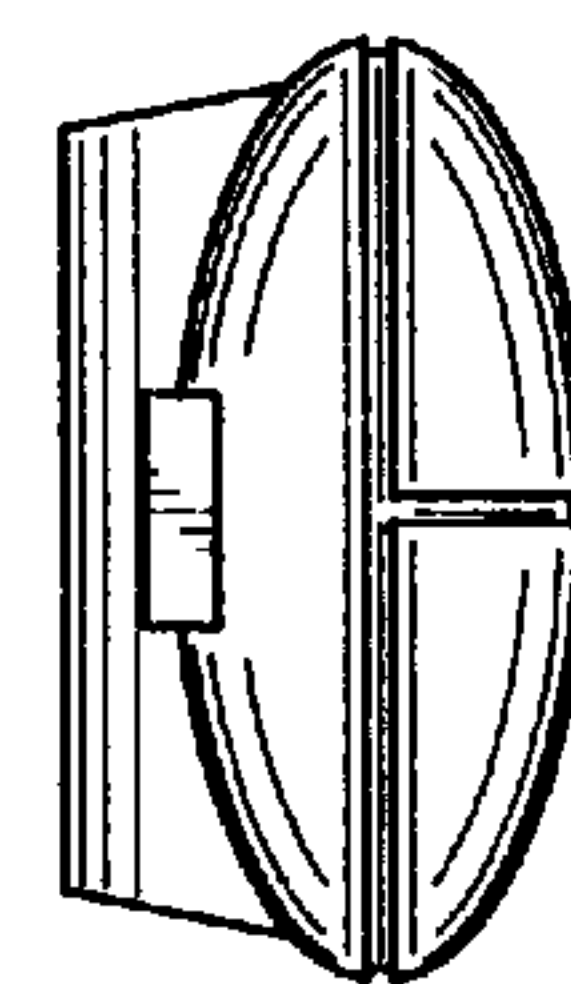


FIG. 7

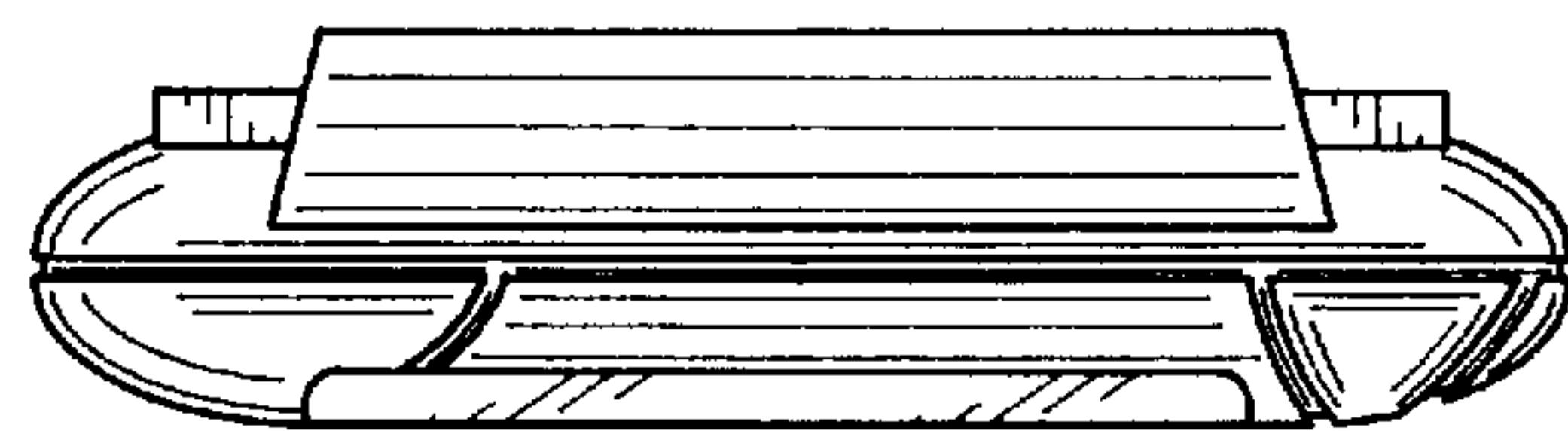


FIG. 4

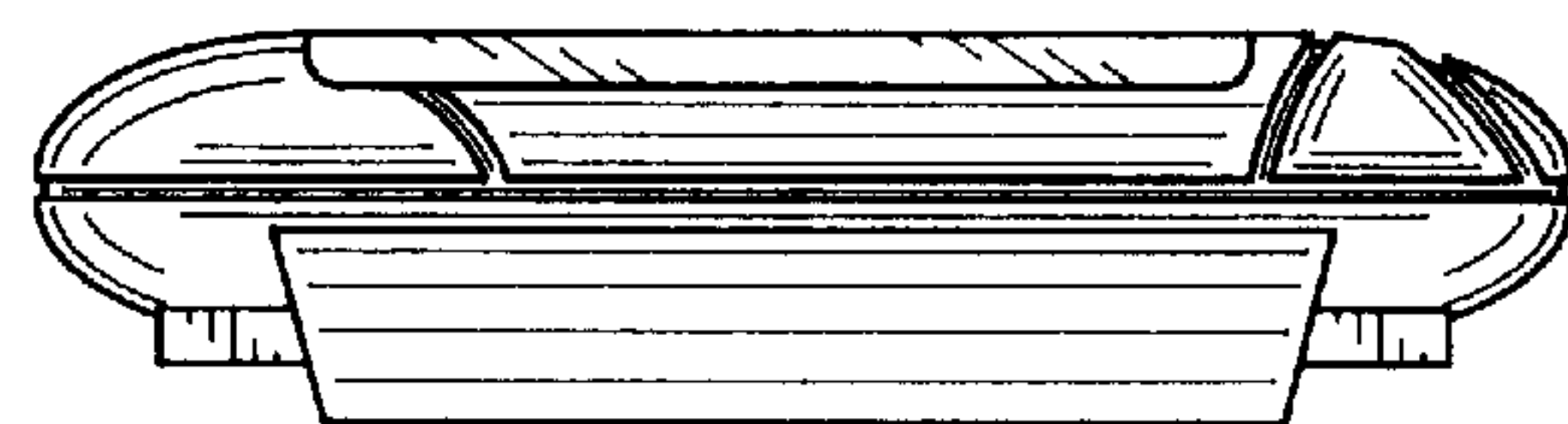


FIG. 5