



US00D412279S

United States Patent [19] Brice

[11] **Patent Number: Des. 412,279**

[45] **Date of Patent: ** Jul. 27, 1999**

[54] **CHEWING GUM PROTECTIVE CONTAINER**

5,370,219 12/1994 Violett, Jr. 206/800 X
5,636,732 6/1997 Gilels et al. 206/800 X

[76] Inventor: **Derick M Brice**, 17 W. Casino Rd.
#A-4, Everett, Wash. 98204

Primary Examiner—Prabhakar Deshmukh

[**] Term: **14 Years**

[57] **CLAIM**

[21] Appl. No.: **29/090,560**

The ornamental design for a chewing gum protective container, as shown and described.

[22] Filed: **Jul. 9, 1998**

DESCRIPTION

[51] **LOC (6) Cl.** **09-07**

[52] **U.S. Cl.** **D9/423; D9/432**

[58] **Field of Search** D9/420-424, 432,
D9/337, 414; 206/800, 37, 39, 39.5, 39.6,
38, 265, 268, 354, 355; 229/87.13; 220/337,
334, 540, 715; 221/198

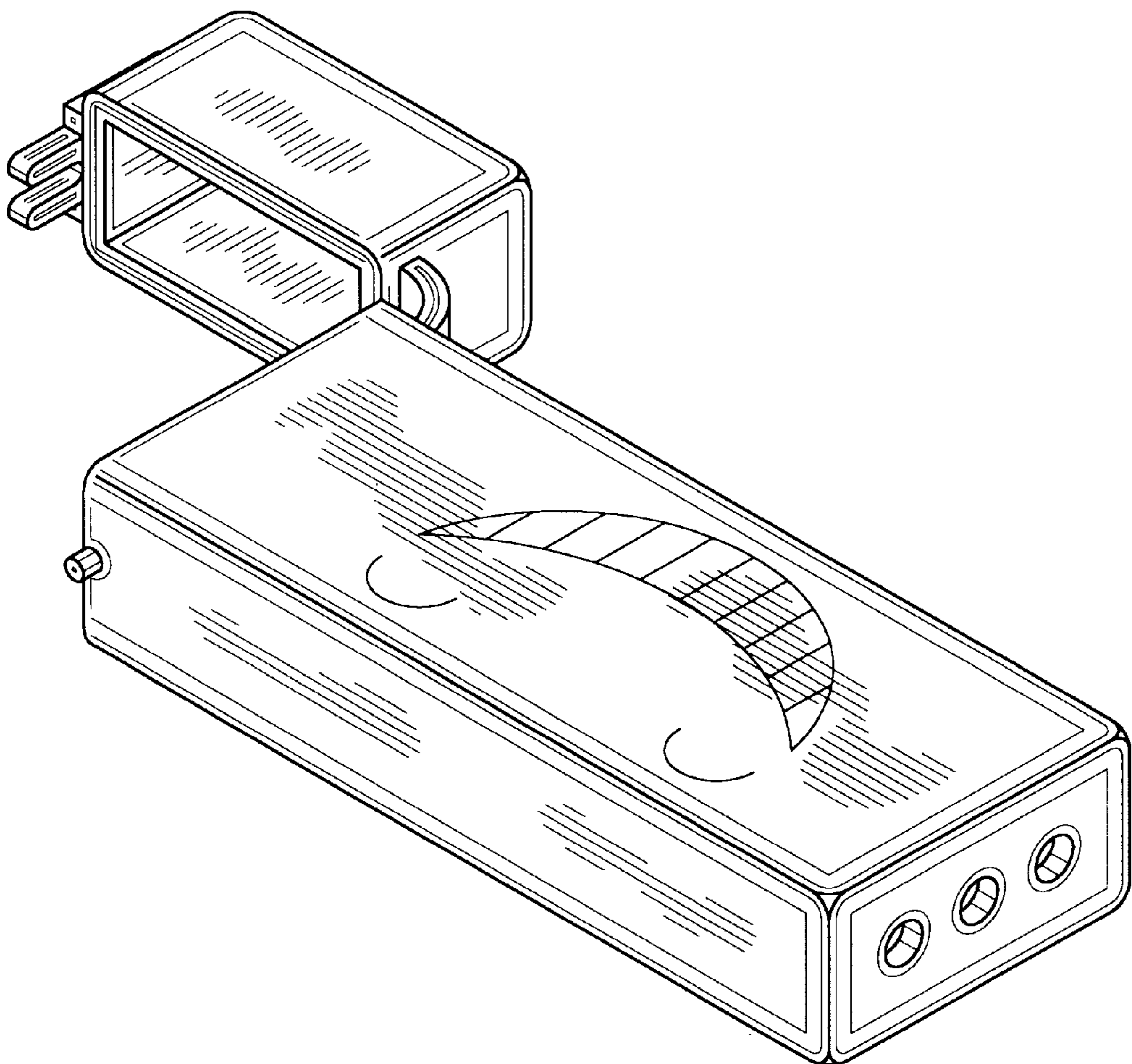
FIG. 1 is a front elevational view of the chewing gum protective container of the present invention;
FIG. 2 is a back elevational view of the chewing gum protective container of FIG. 1;
FIG. 3 is a left side elevational view of the chewing gum protective container of FIG. 1;
FIG. 4 is a right side elevational view of the chewing gum protective container of FIG. 1;
FIG. 5 is a top plan view of the chewing gum protective container of FIG. 1;
FIG. 6 is a bottom plan view of the chewing gum protective container of FIG. 1; and,
FIG. 7 is a top, front, right side perspective view of an alternate position of the chewing gum protective container of FIG. 1.

[56] **References Cited**

U.S. PATENT DOCUMENTS

D. 351,789	10/1994	Lee	D9/418 X
D. 364,344	11/1995	Shaw	D9/423 X
969,329	9/1910	Blake	206/800 X
2,988,209	6/1961	Parrilla	206/800 X
4,538,731	9/1985	Cillario	206/540
5,097,948	3/1992	Campbell	229/87.13 X
5,333,729	8/1994	Wolfe	206/800 X
5,353,956	10/1994	Wilson	206/800 X

1 Claim, 3 Drawing Sheets



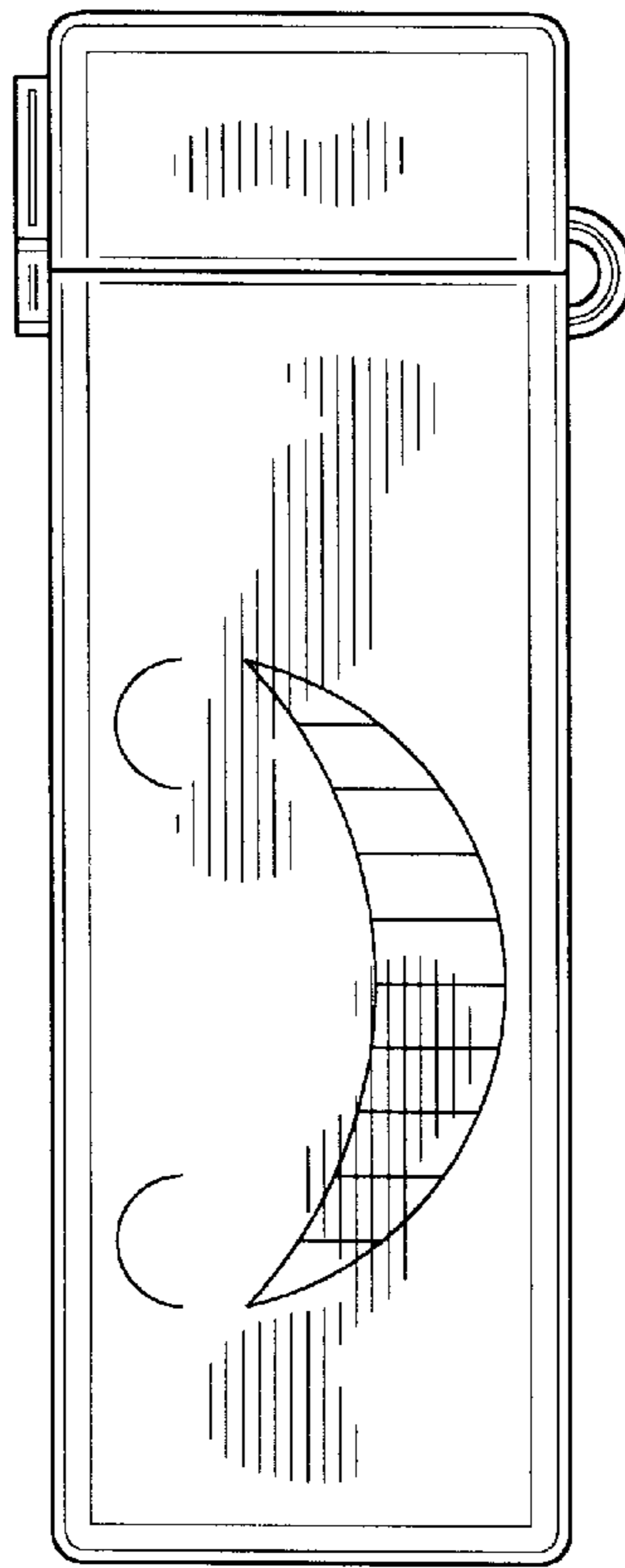


Fig. 1

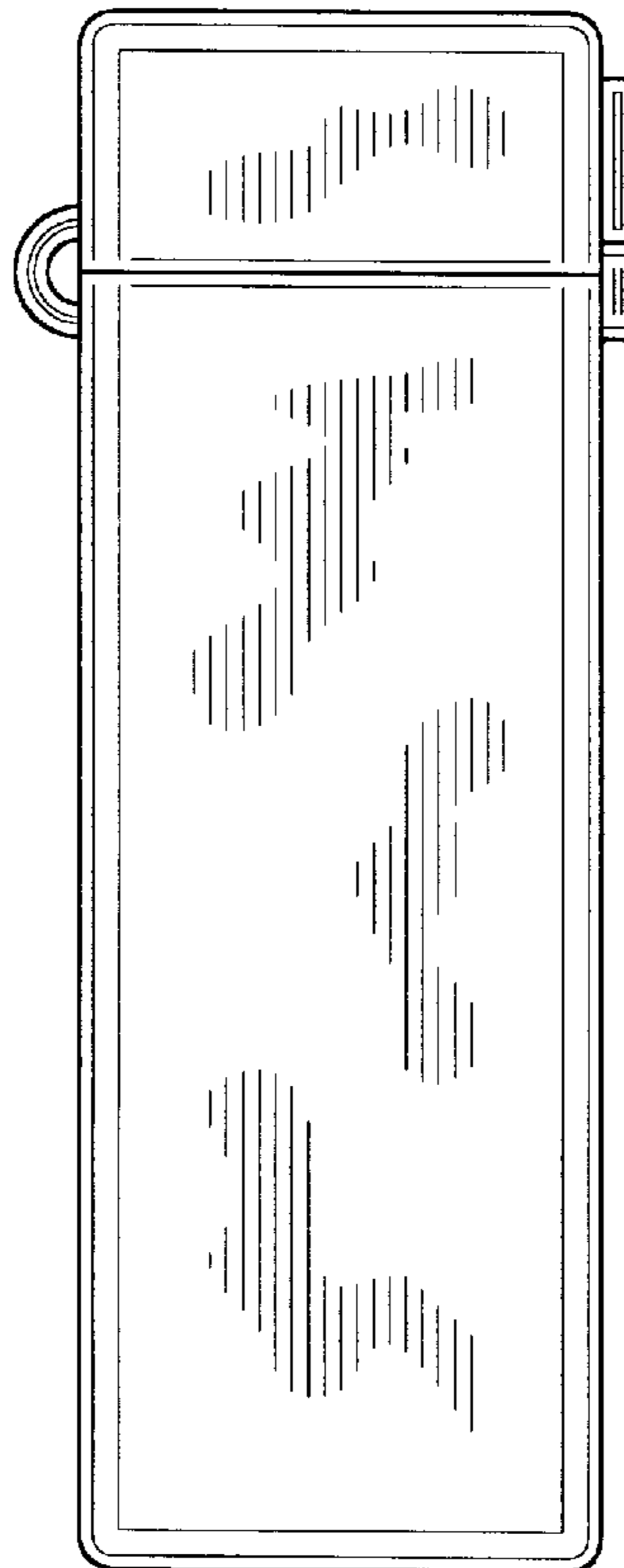


Fig. 2

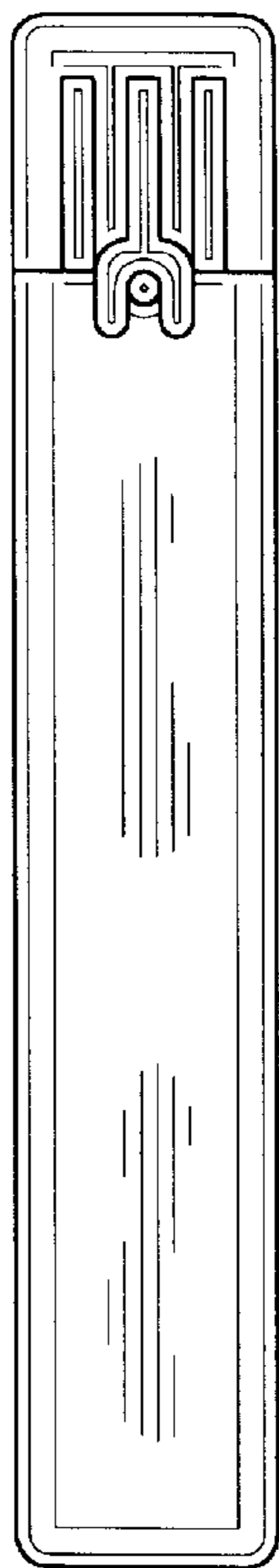


Fig. 3

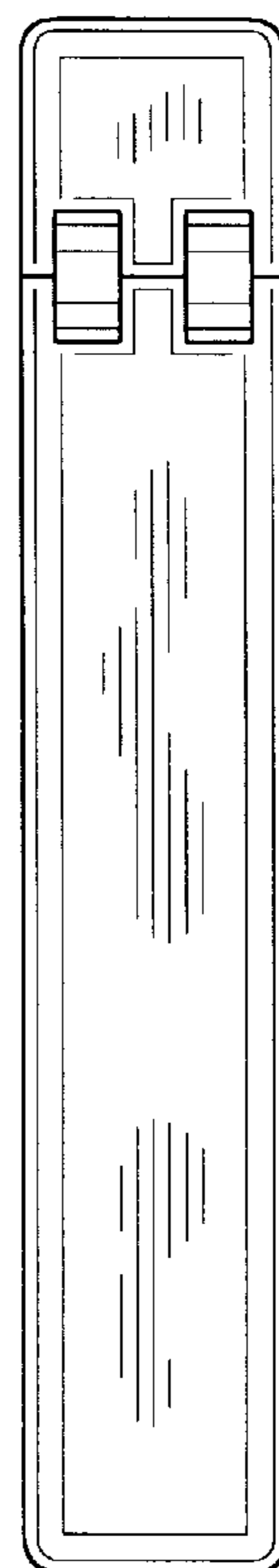


Fig. 4

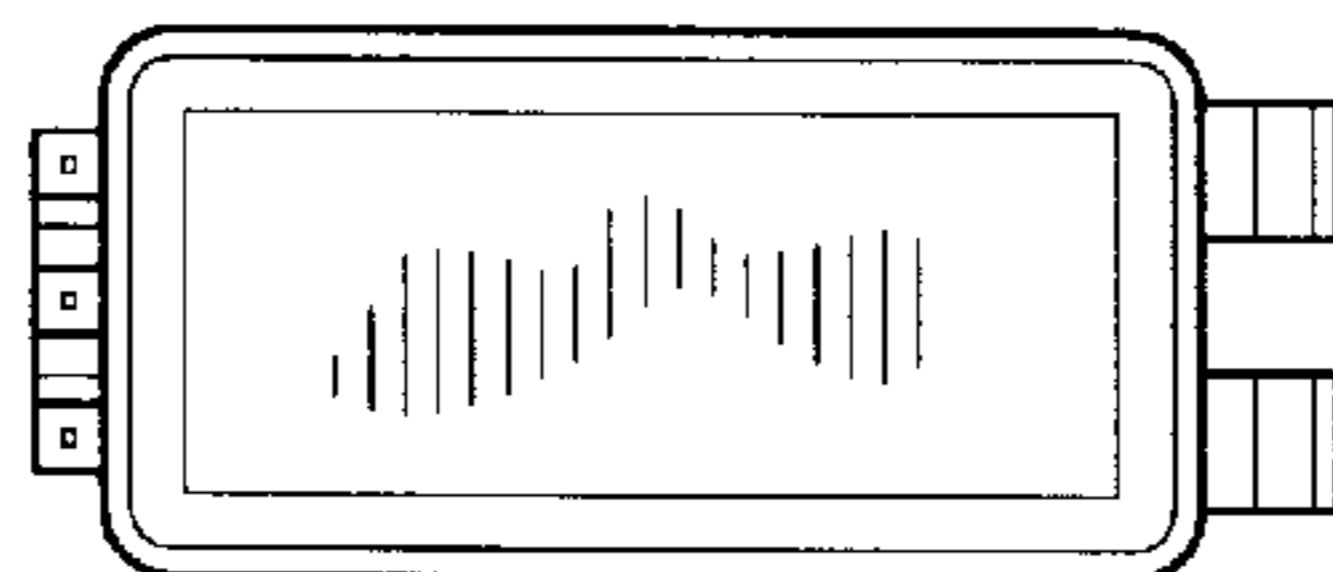


Fig. 5

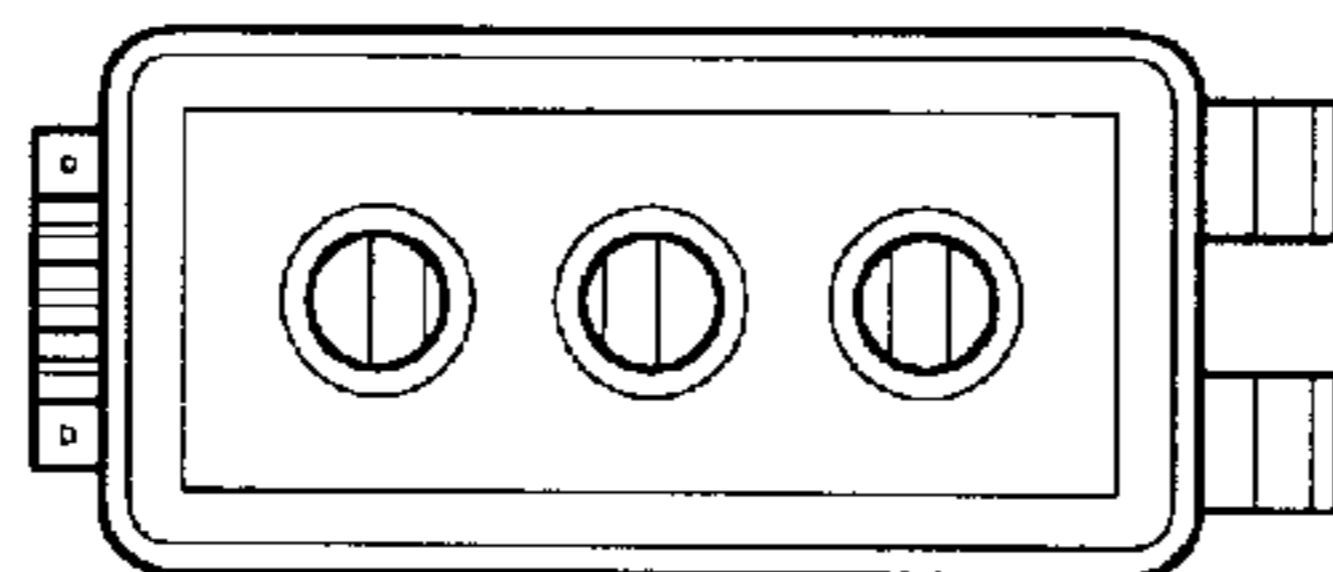


Fig. 6

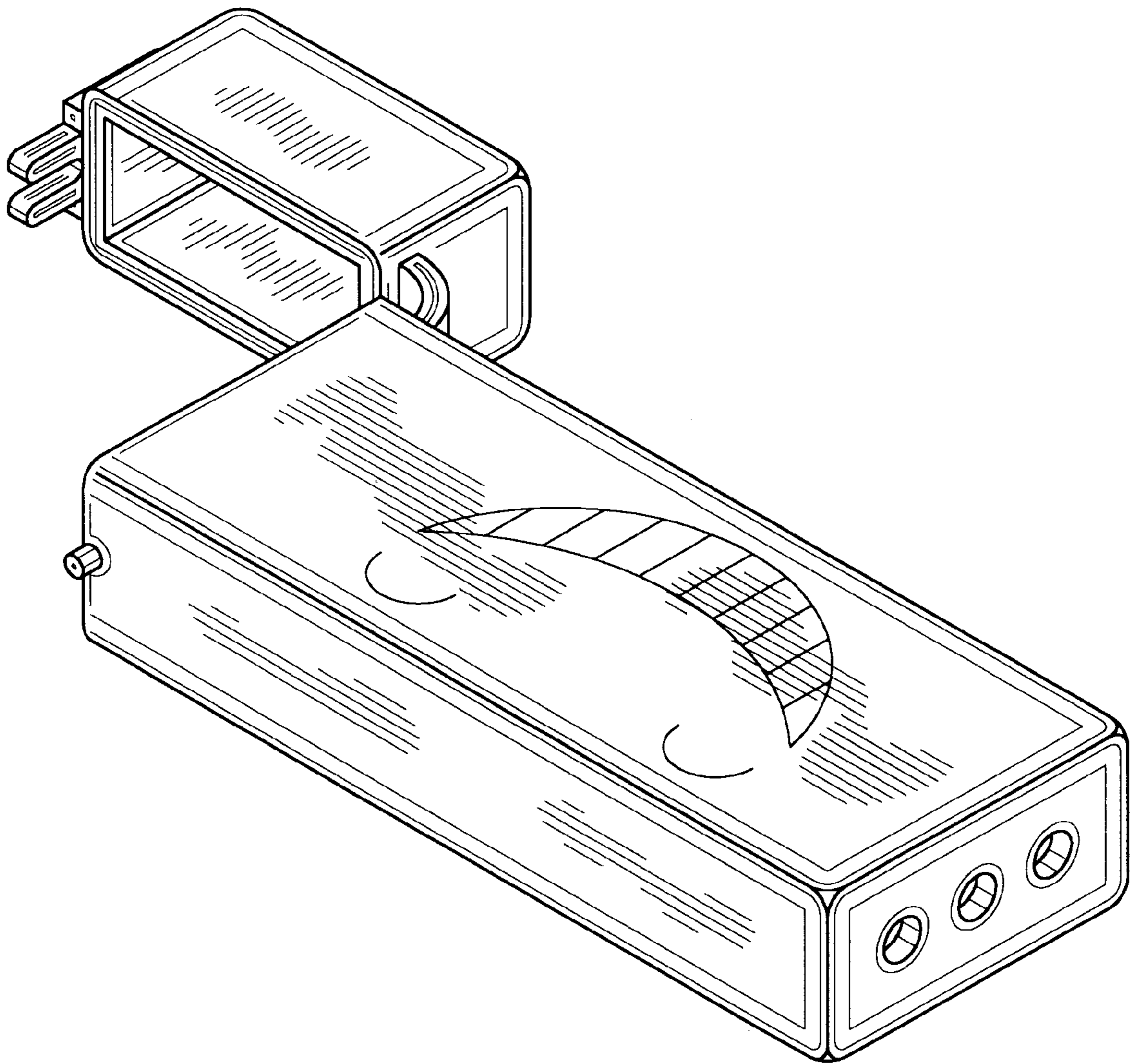


Fig. 7