



US00D412272S

United States Patent [19]

Culberson et al.

[11] Patent Number: Des. 412,272

[45] Date of Patent: ** Jul. 27, 1999

[54] FAN CLUTCH HOLDING TOOL

[75] Inventors: David S. Culberson, Springdale, Ark.; Charles E. Anderson, Ephrata, Pa.; Joseph M. Barker, Fayetteville; James R. Mount, Springdale, both of Ark.

[73] Assignee: Hand Tool Design Corporation, Wilmington, Del.

[**] Term: 14 Years

[21] Appl. No.: 29/075,668

[22] Filed: Aug. 19, 1997

[51] LOC (6) Cl. 08-05

[52] U.S. Cl. D8/51

[58] Field of Search D8/14, 22, 23, D8/27, 51, 71; 7/100, 166; 29/267; 81/13, 111, 484, 488; 254/258; 269/2, 3, 6, 86, 87, 265, 266, 269; 294/86.4, 104, 118

[56] References Cited

U.S. PATENT DOCUMENTS

D. 57,549	4/1866	Kuren	56/184
D. 196,385	9/1963	Terwilliger, Jr.	D8/51
D. 289,134	4/1987	Hodges	D8/44
454,222	6/1891	Miller	81/179
1,105,473	7/1914	Walker	81/13
1,273,831	7/1918	Dee	29/267

Primary Examiner—James Gandy
Assistant Examiner—Reid Hecker
Attorney, Agent, or Firm—Leonard Bloom

[57] CLAIM

The ornamental design for a fan clutch holding tool, as shown and described.

DESCRIPTION

FIG. 1 is a perspective view of a fan clutch holding tool, showing our new design.

FIG. 2 is an enlarged fragmentary perspective view of the forward portion of the fan clutch holding tool with the pivoted members in partially closed position.

FIG. 3 is a right side elevation view thereof.

FIG. 4 is a right side elevation thereof, showing the pivoted members in their fully closed position.

FIG. 5 is a left side elevation view of FIG. 4.

FIG. 6 is a top plan view of FIG. 4.

FIG. 7 is a bottom plan view of FIG. 4.

FIG. 8 is an enlarged fragmentary top plan view of FIG. 6.

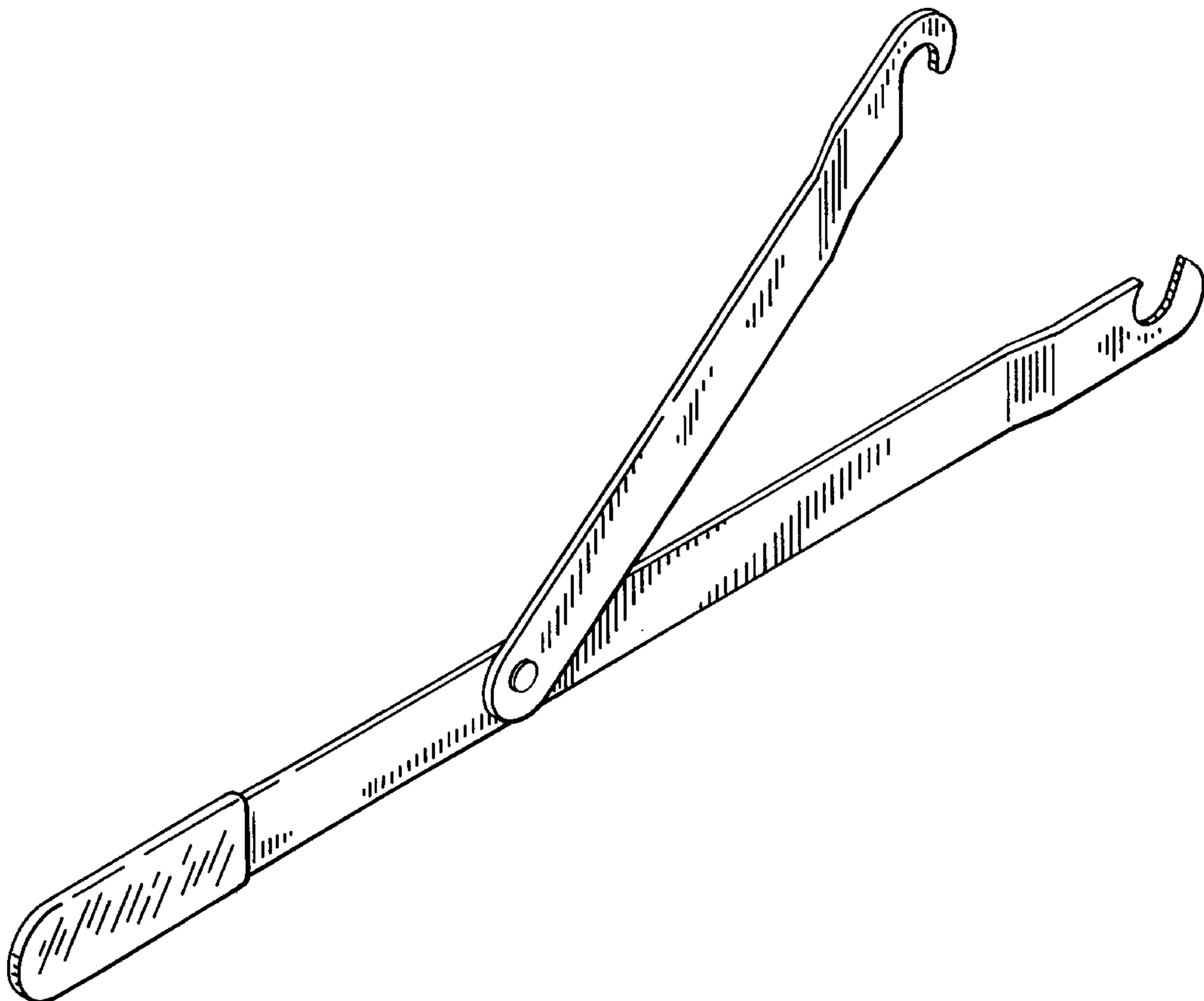
FIG. 9 is an enlarged fragmentary bottom plan view of FIG. 7.

FIG. 10 is an enlarged front elevation view of FIG. 4.

FIG. 11 is an enlarged rear elevation view of FIG. 4; and, FIGS. 12 and 13 are fragmentary perspective views of the fan clutch holding tool in condition of use.

The broken lines in FIGS. 12 and 13 are for purposes of illustration only and form no part of the claimed design.

1 Claim, 7 Drawing Sheets



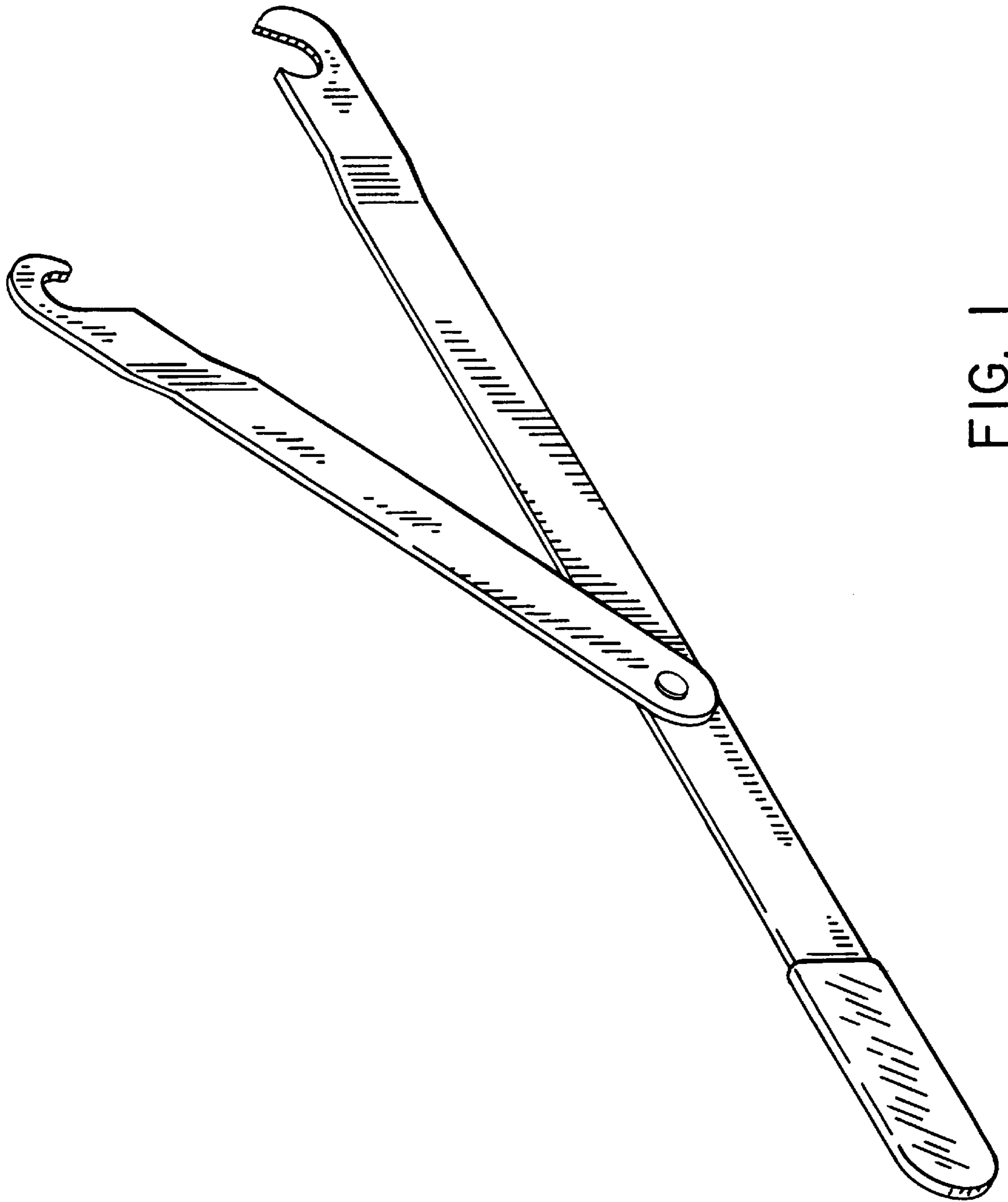


FIG. 1

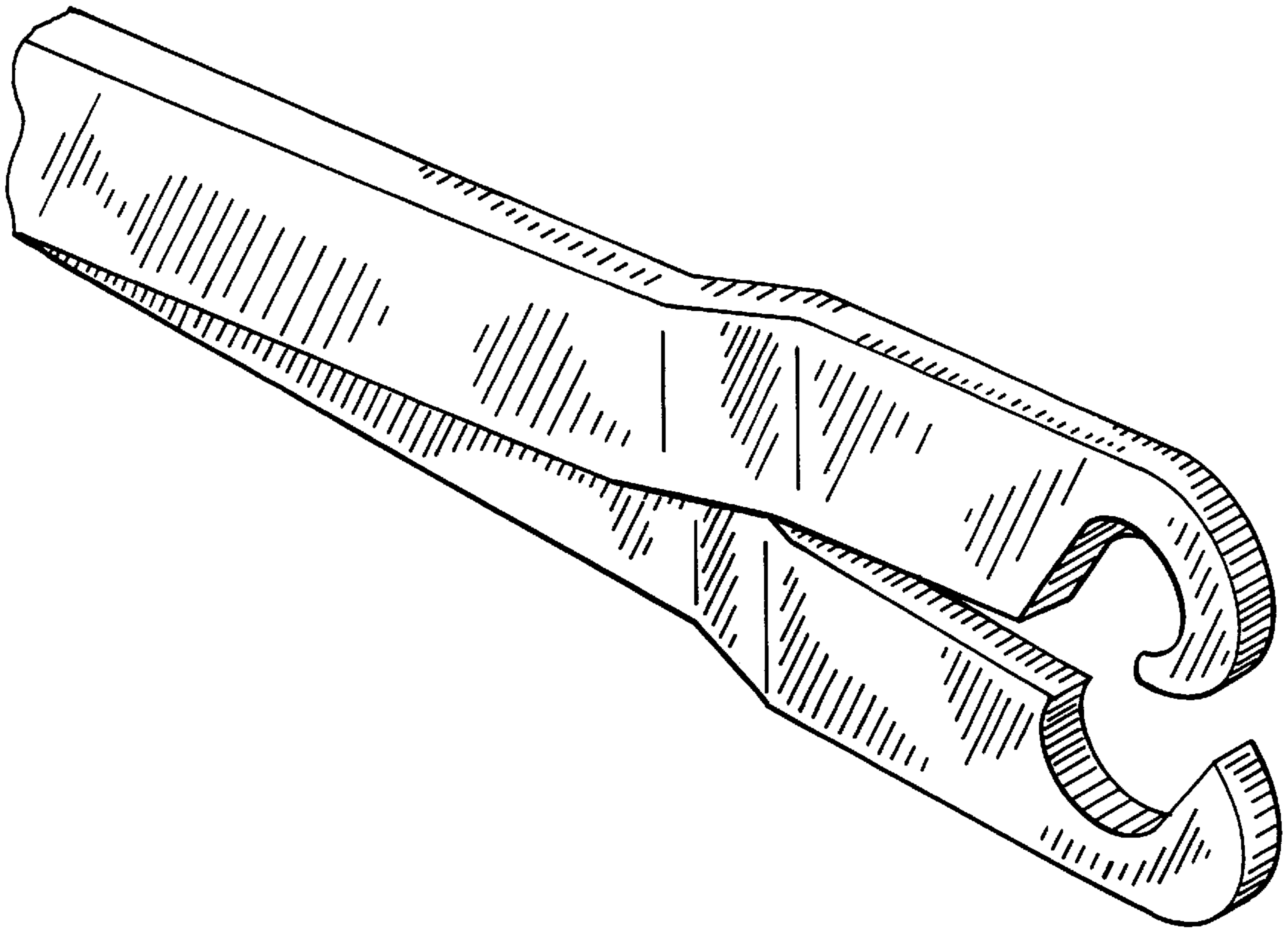


FIG. 2

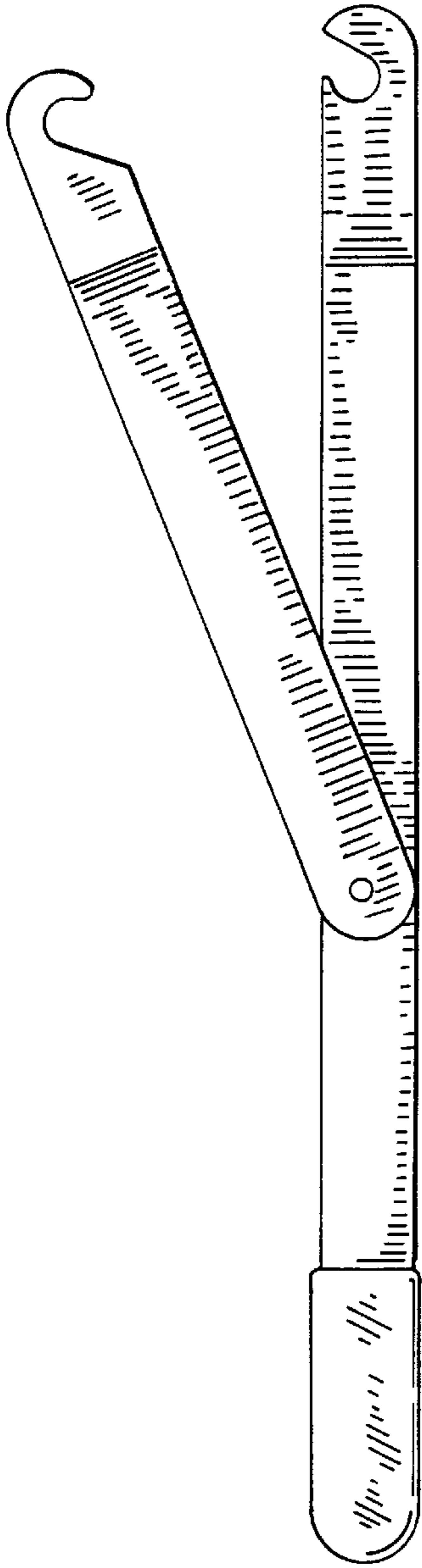


FIG. 3

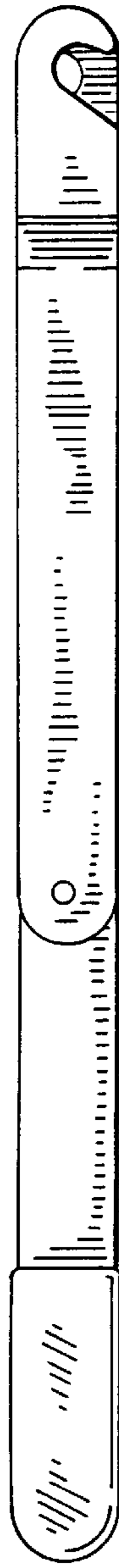


FIG. 4

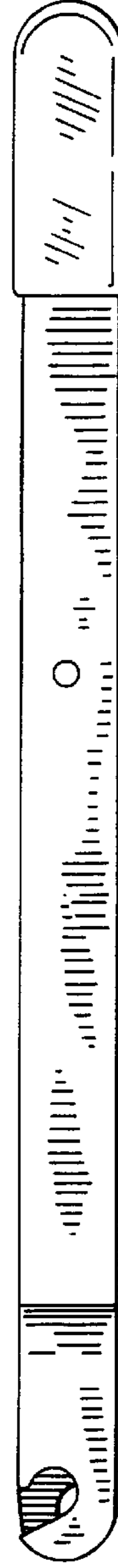


FIG. 5

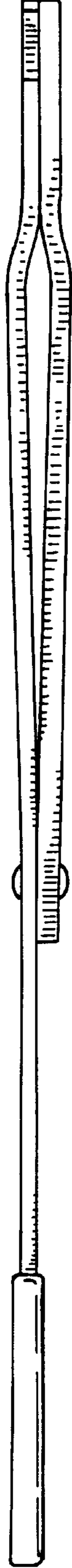


FIG. 6



FIG. 7

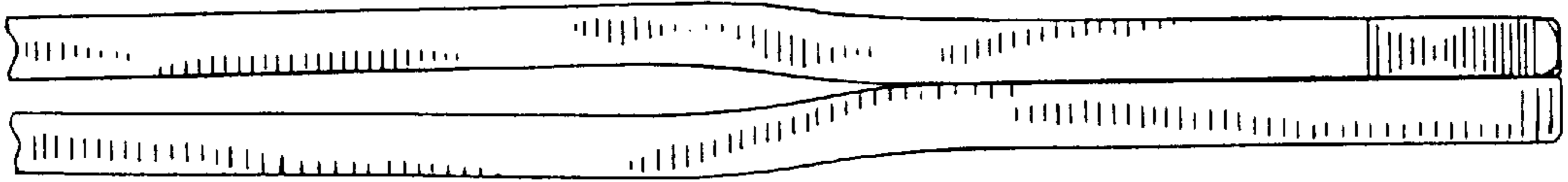


FIG. 8

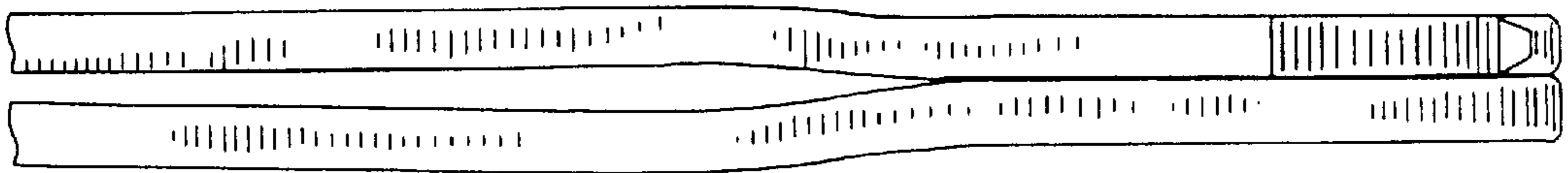


FIG. 9

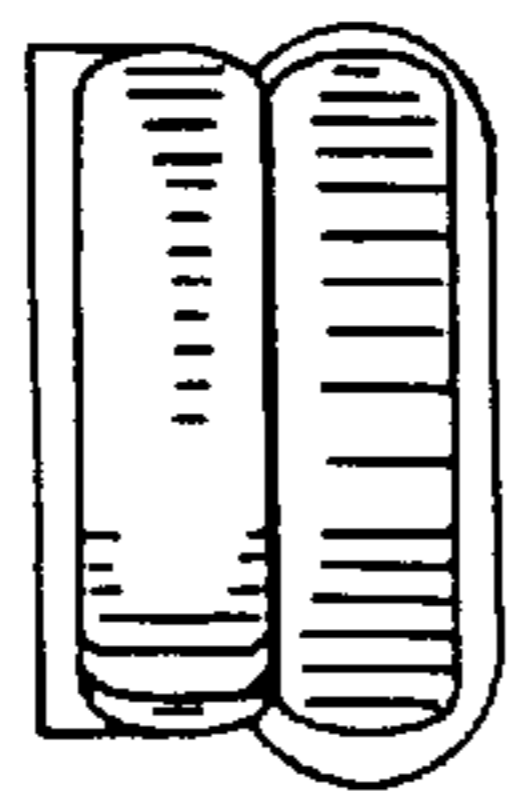


FIG. 10

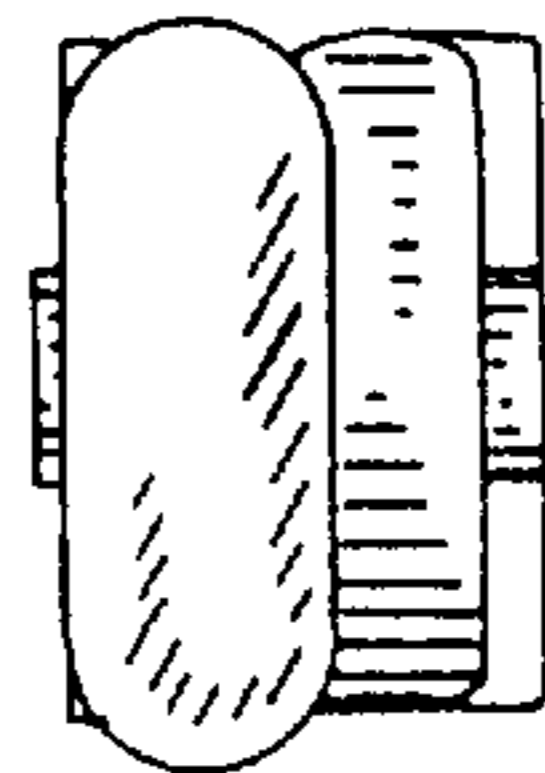


FIG. 11

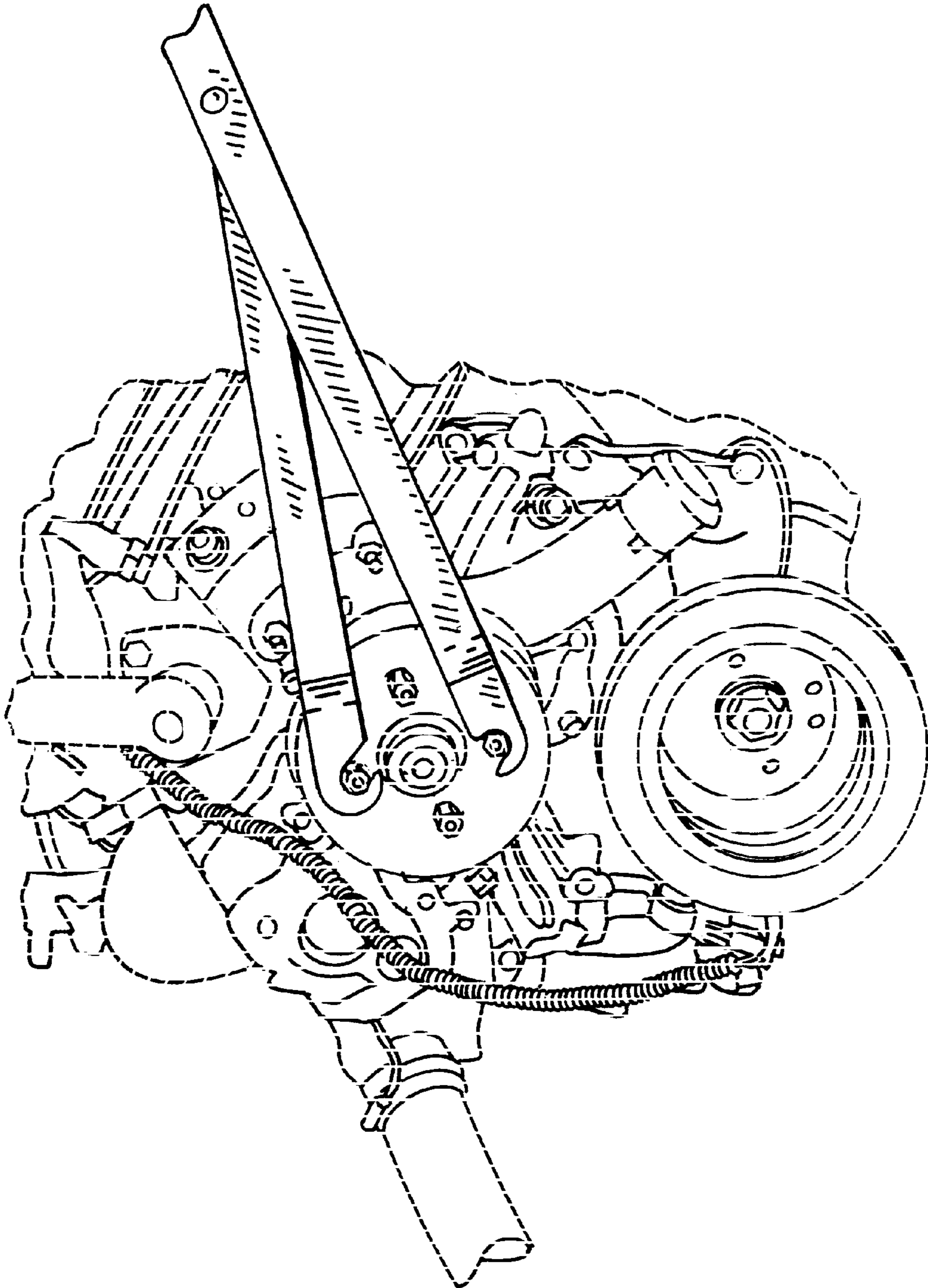


FIG. 12

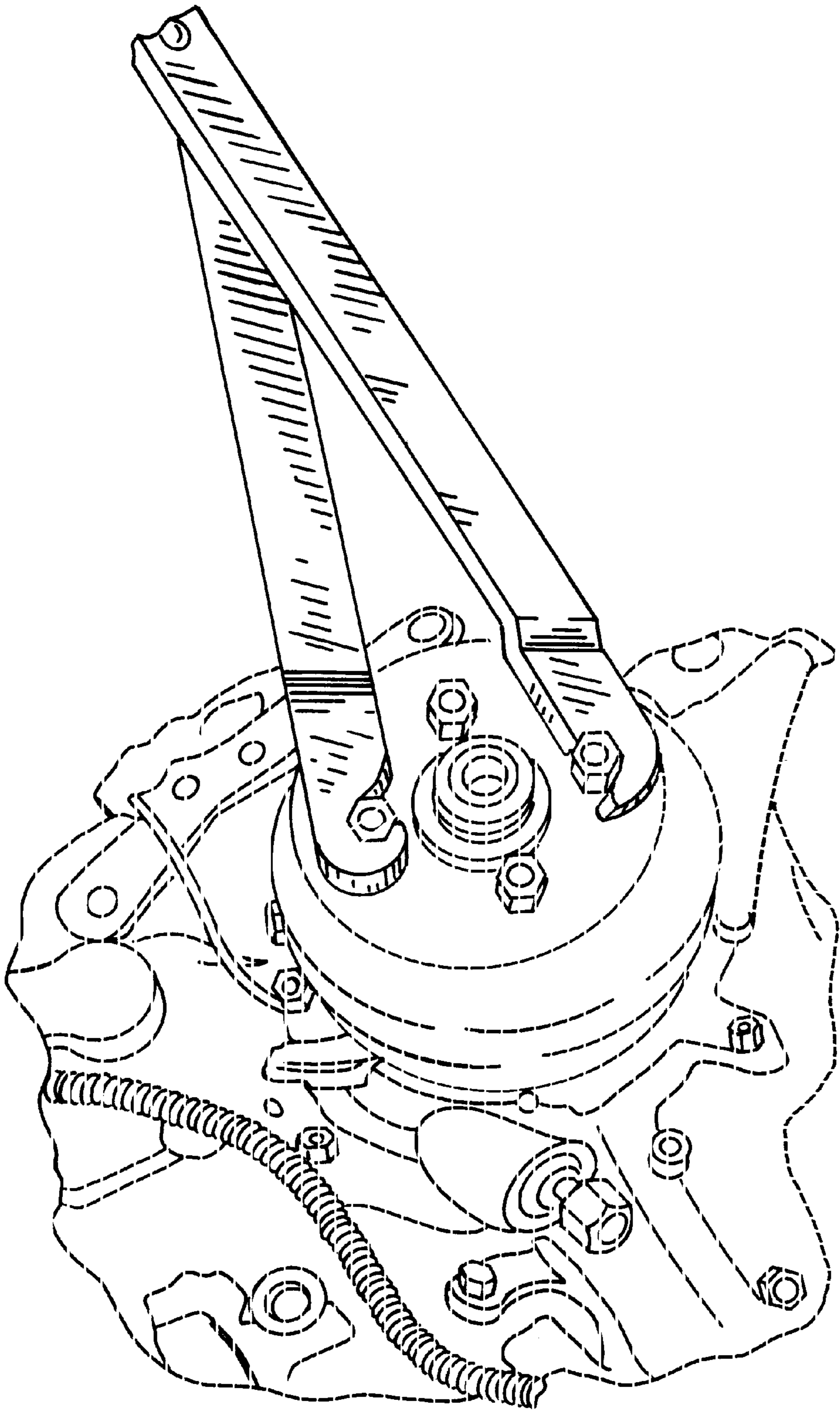


FIG. 13