



US00D412270S

United States Patent [19] Fredrickson

[11] **Patent Number: Des. 412,270**
[45] **Date of Patent: ** Jul. 27, 1999**

[54] **ARTICLE LIFTER**

[76] Inventor: **David Frank Fredrickson**, 4951 Toll Bridge Rd., Belton, Bell County, Tex. 76513

[**] Term: **14 Years**

[21] Appl. No.: **29/091,938**

[22] Filed: **Aug. 10, 1998**

Related U.S. Application Data

[62] Division of application No. 29/081,835, Nov. 26, 1997, which is a continuation of application No. 08/812,590, Mar. 7, 1997.

[51] **LOC (6) Cl.** **08-05**

[52] **U.S. Cl.** **D8/14**

[58] **Field of Search** D8/14; D34/28, D34/33; 294/15, 26, 1.1, 19.1, 137, 153

[56] References Cited

U.S. PATENT DOCUMENTS

D. 217,002	3/1970	Wagner	D8/14
D. 255,317	6/1980	Slinkard	.	
D. 288,276	2/1987	Harney	D8/14
D. 317,703	6/1991	Cydrus	D8/14
D. 354,662	1/1995	Brezany	D8/14
D. 368,837	4/1996	Reed	D8/14
435,420	9/1890	Healy	.	
2,274,918	3/1942	Chenette	.	
2,367,627	1/1945	Sterrett	.	
2,399,527	4/1946	Whitney	.	
2,428,941	10/1947	Packard	.	
2,739,007	3/1956	Rauterberg	.	

2,930,583	3/1960	Noe et al.	.	
3,203,606	8/1965	Masterson	.	
3,385,625	5/1968	Heines	.	
3,619,852	11/1971	Eckberg	.	
3,940,171	2/1976	Carlsson	.	
4,098,442	7/1978	Moore	294/26
4,113,160	9/1978	Spiers	.	
4,177,911	12/1979	Griffin	.	
4,577,897	3/1986	Mazac	.	
4,802,391	2/1989	Willhoite et al.	294/15
5,069,495	12/1991	Mears	.	
5,127,693	7/1992	Pruit	.	
5,171,052	12/1992	Cunningham	.	
5,190,329	3/1993	Steer	.	
5,257,843	11/1993	Nunn	.	
5,522,116	6/1996	Enneking	.	

FOREIGN PATENT DOCUMENTS

3921366 A1	1/1991	Germany	.
1200132	7/1970	United Kingdom	.

Primary Examiner—Alan P. Douglas
Assistant Examiner—Robin V. Taylor
Attorney, Agent, or Firm—Merek & Voorhees

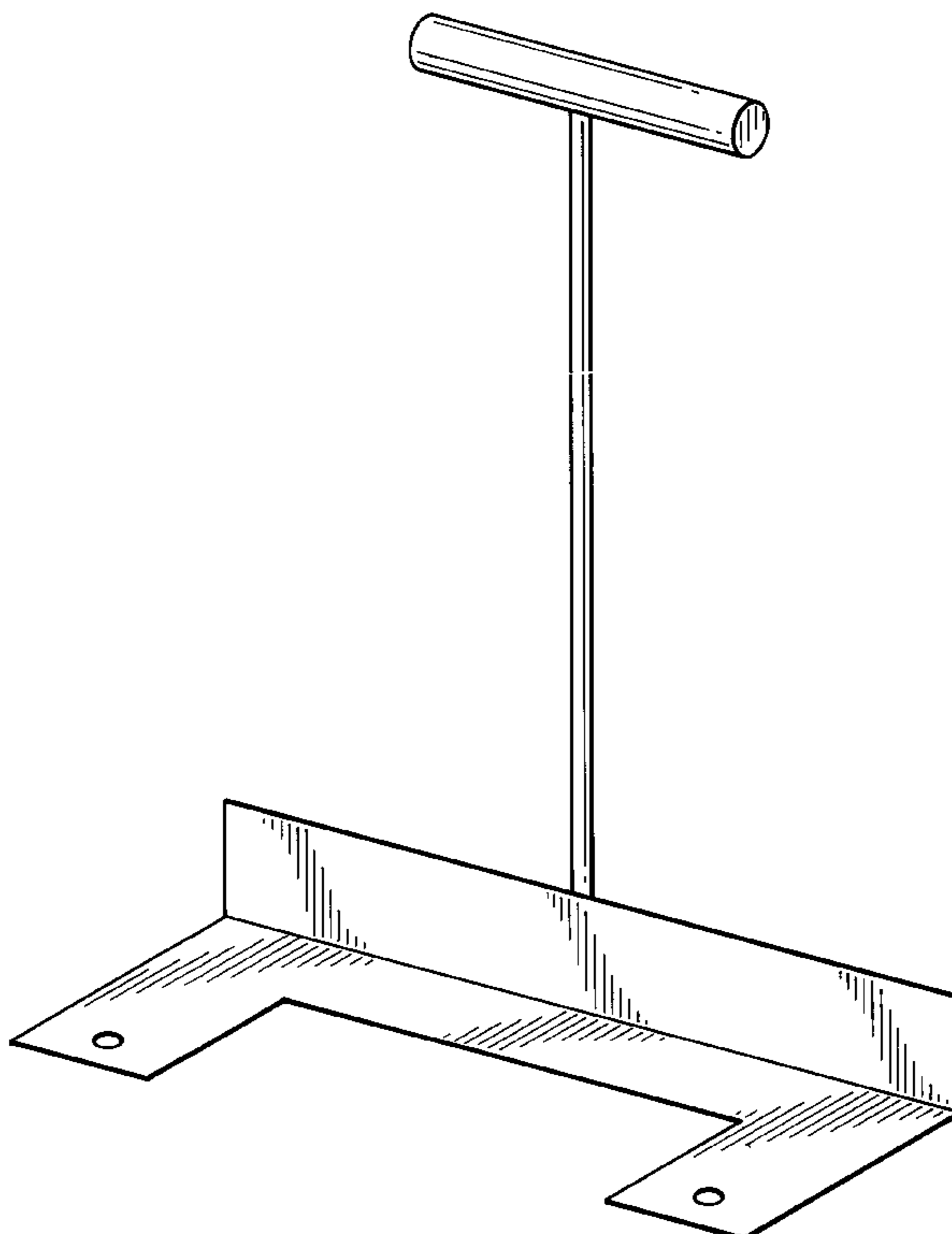
[57] CLAIM

The ornamental design for an article lifter, as shown and described.

DESCRIPTION

FIG. 1 is a front perspective view of my article lifter; FIG. 2 is a rear perspective view of the apparatus depicted in FIG. 1; and, FIG. 3 is a side elevational view thereof, the other side being identical.

1 Claim, 2 Drawing Sheets



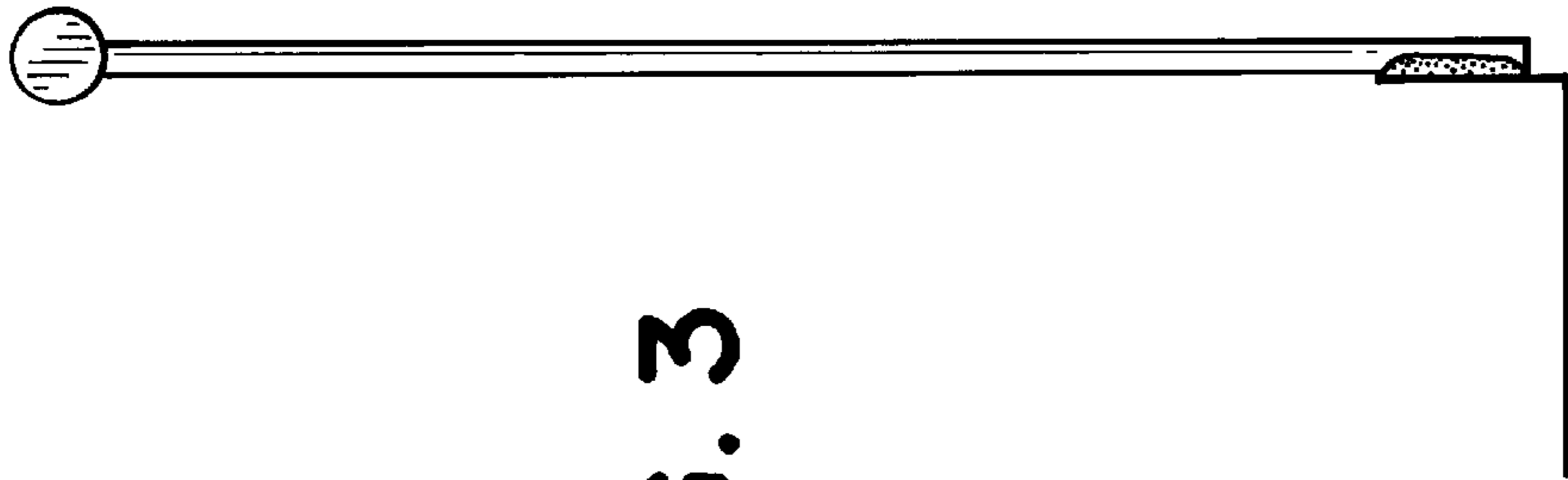


FIG. 3

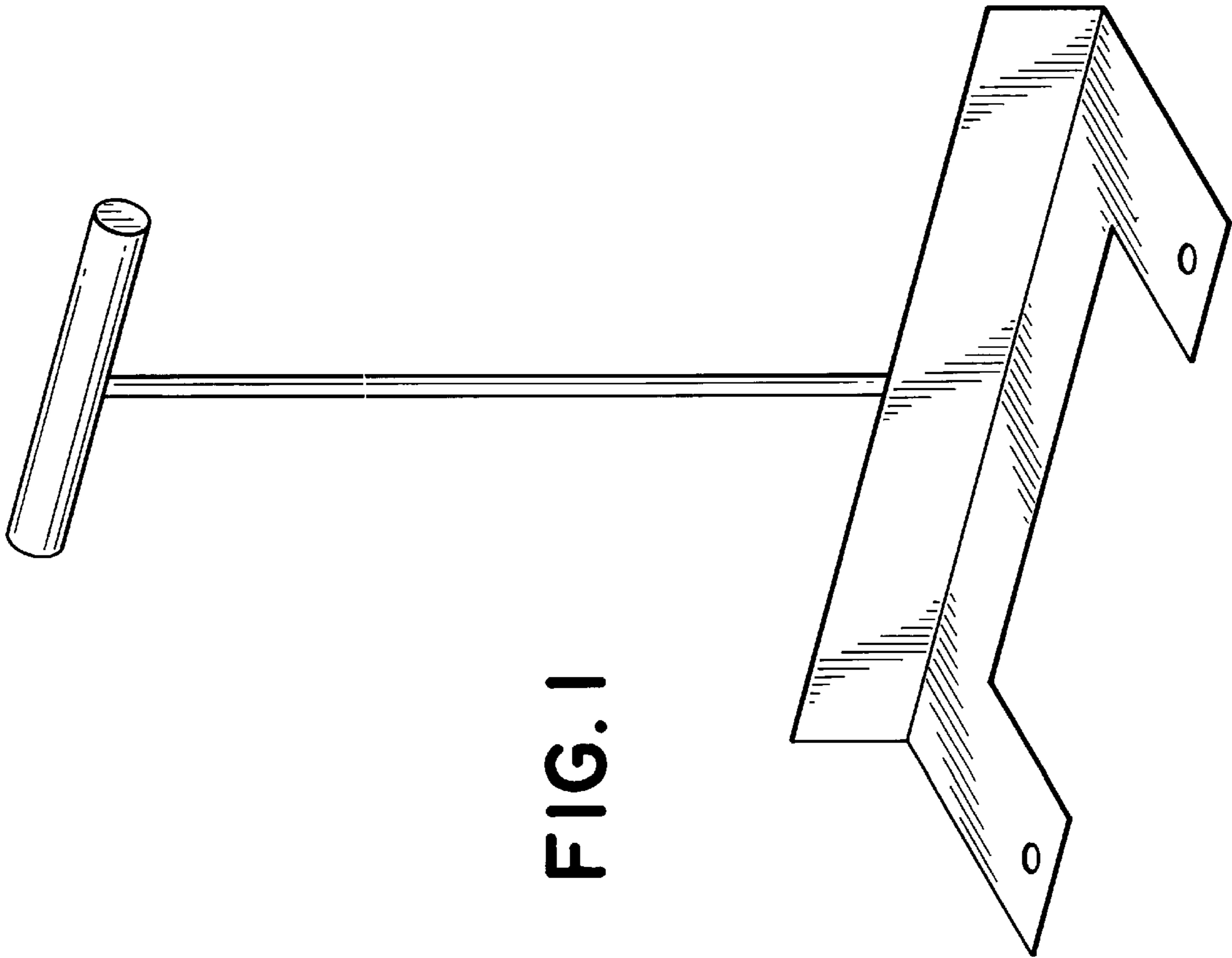


FIG. 1

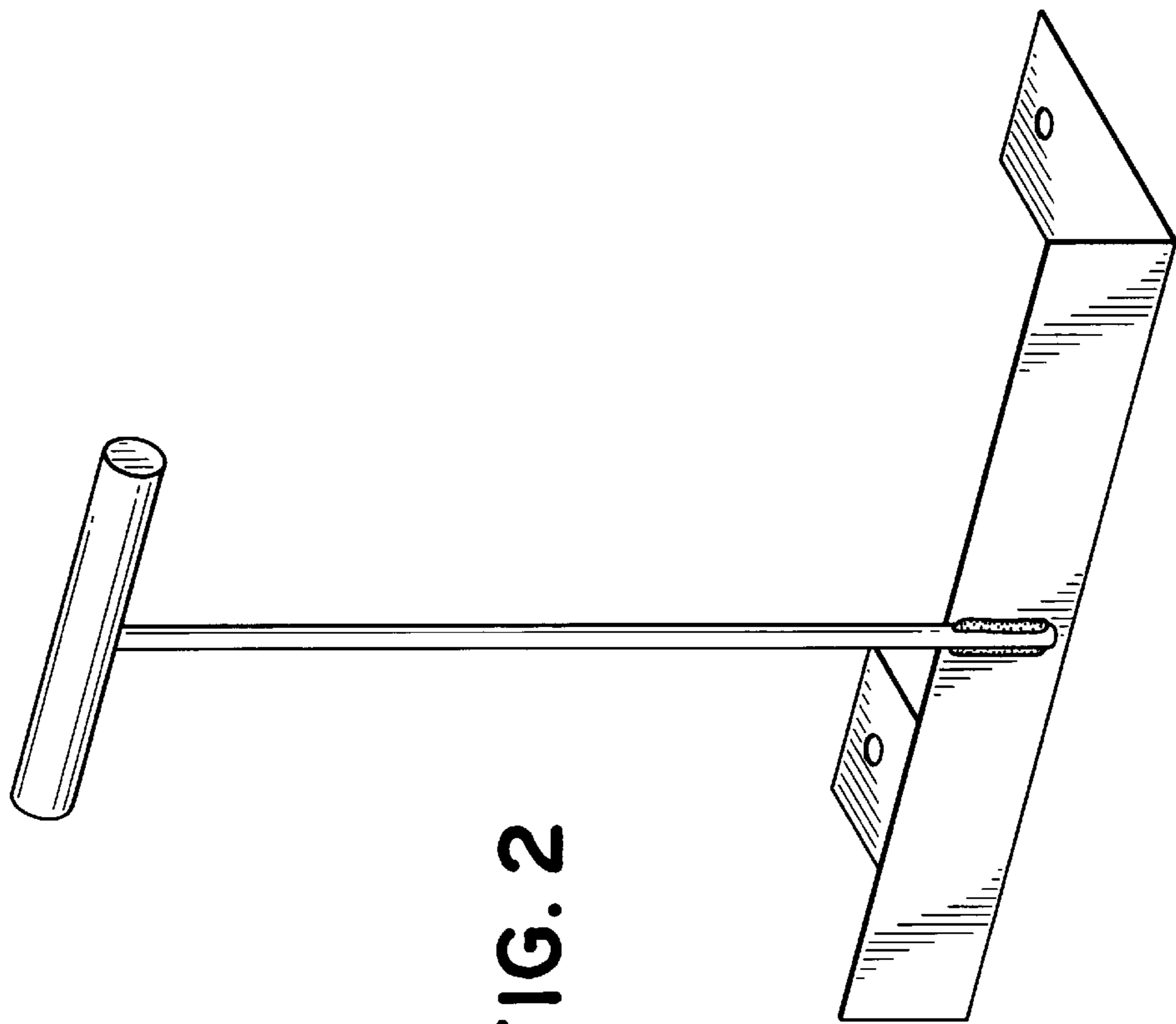


FIG. 2