



US00D412268S

United States Patent [19]
Uemura

[11] **Patent Number: Des. 412,268**
[45] **Date of Patent: ** Jul. 27, 1999**

[54] **BREAD SLICE GUIDE**

[75] Inventor: **Shigehiro Uemura**, Kyoto, Japan

[73] Assignee: **Sanyo Electric Co., Ltd.**, Osaka, Japan

[**] Term: **14 Years**

[21] Appl. No.: **29/090,221**

[22] Filed: **Jul. 2, 1998**

[30] **Foreign Application Priority Data**

Jan. 7, 1998 [JP] Japan 10-195

[51] **LOC (6) Cl.** **07-04**

[52] **U.S. Cl.** **D7/673**

[58] **Field of Search** D7/673; 83/761-768,
83/870, 454; 269/87.2, 295

[56] **References Cited**

U.S. PATENT DOCUMENTS

D. 277,445 2/1985 Levine D7/673

D. 330,315 10/1992 Shved D7/673
D. 354,203 1/1995 Naccarato D7/673
D. 377,297 1/1997 Thompson D7/673
5,481,953 1/1996 McLeod 83/454 X

Primary Examiner—Mitchell I Siegel
Attorney, Agent, or Firm—Loeb & Loeb LLP

[57] **CLAIM**

The ornamental design for a bread slice guide, as shown and described.

DESCRIPTION

FIG. 1 is a perspective view of the present invention;
FIG. 2 is a front elevational view thereof;
FIG. 3 is a rear elevational view thereof;
FIG. 4 is a top plan view thereof;
FIG. 5 is a bottom plan view thereof;
FIG. 6 is a right side elevational view thereof; and,
FIG. 7 is a left side elevational view thereof.

1 Claim, 4 Drawing Sheets

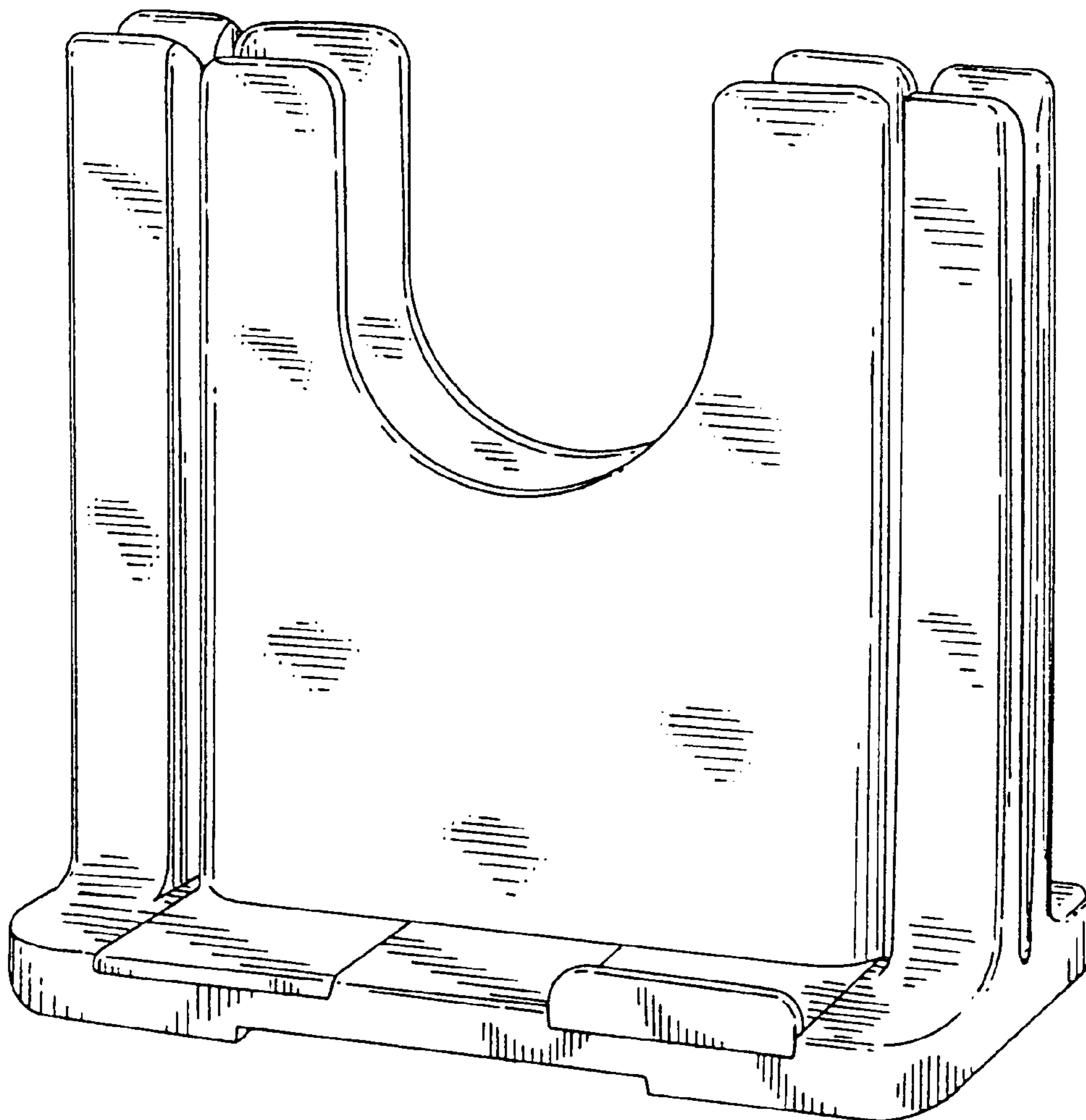


FIG. 1

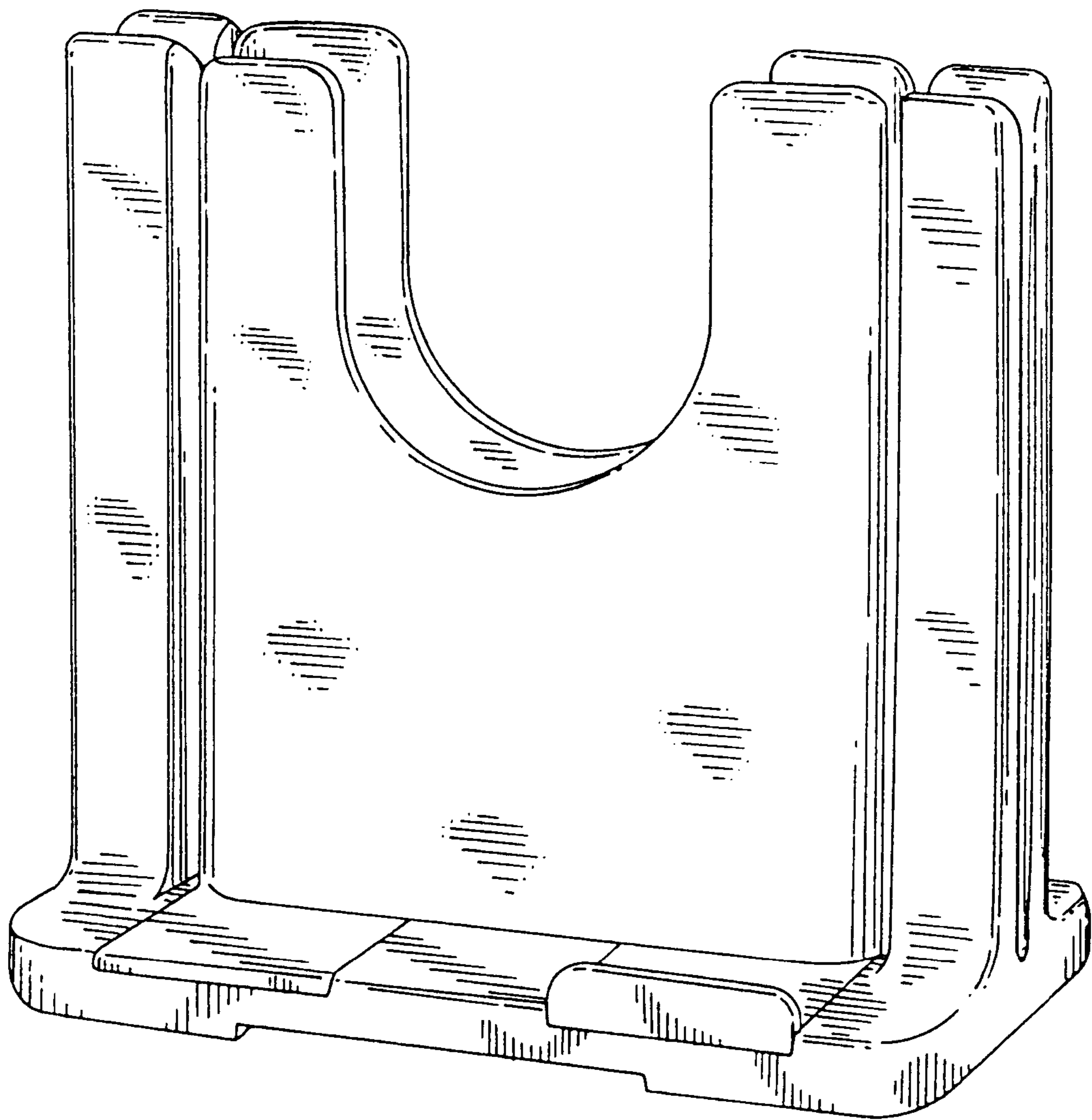


FIG. 2

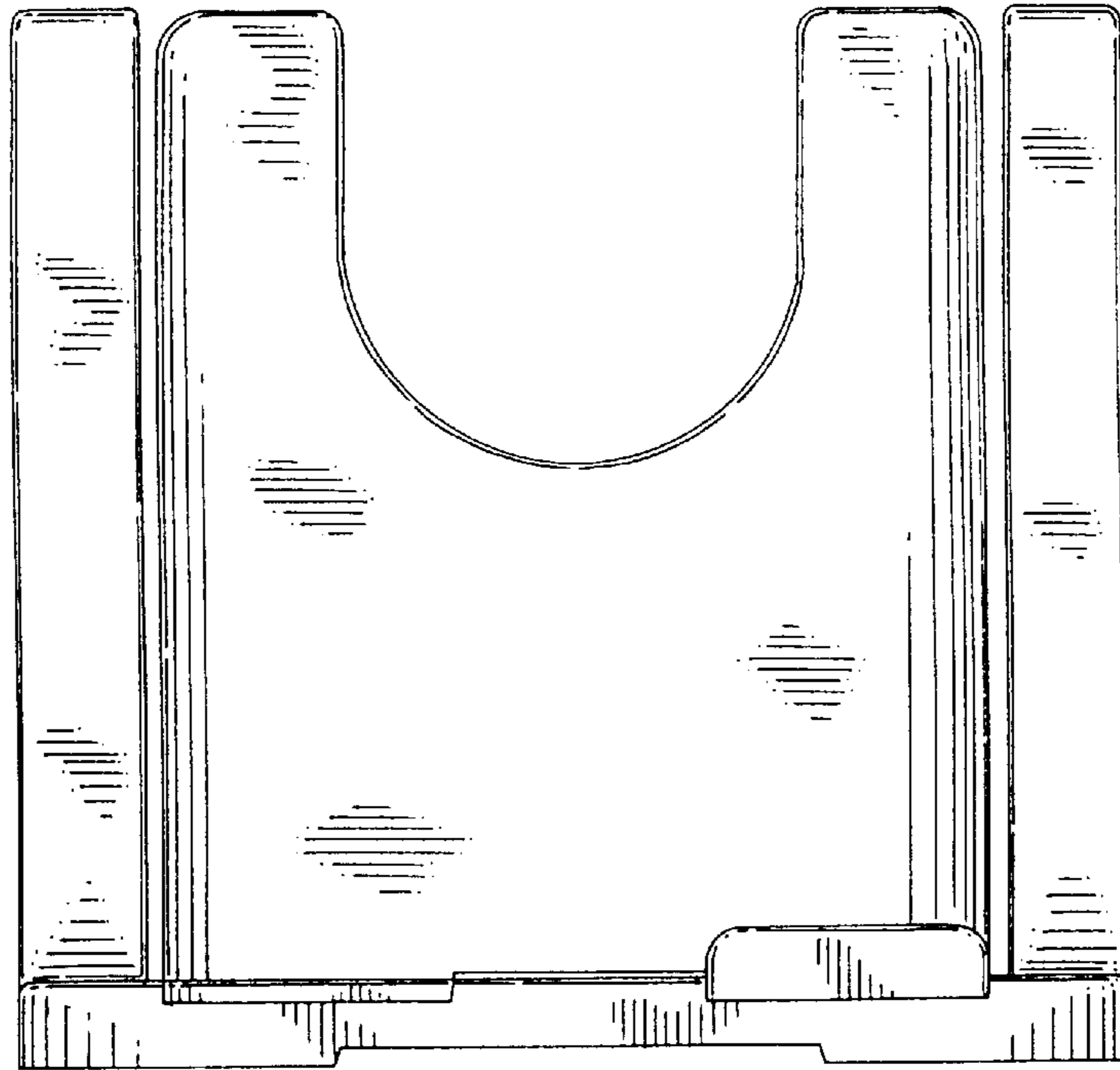


FIG. 3

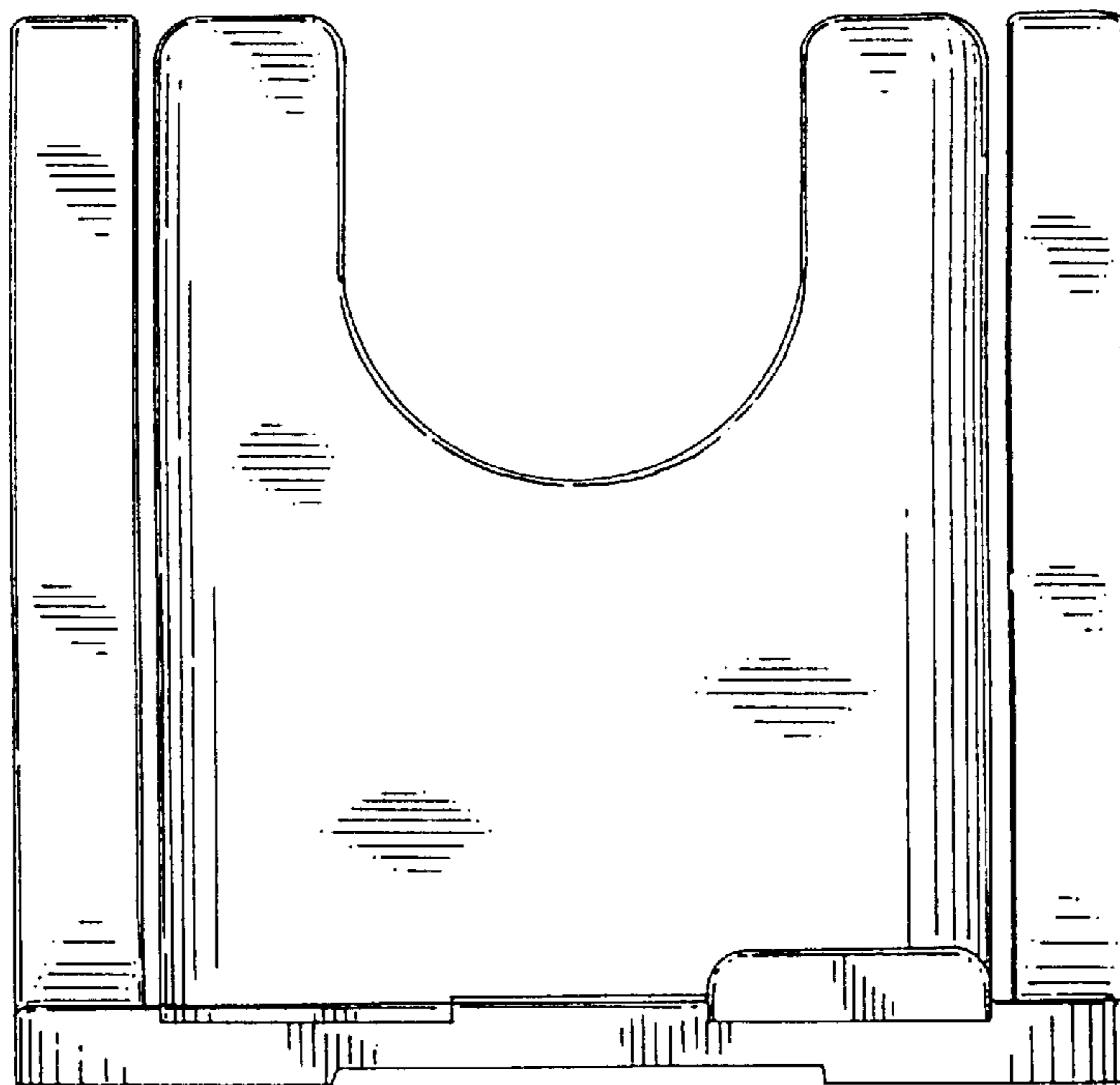


FIG. 4

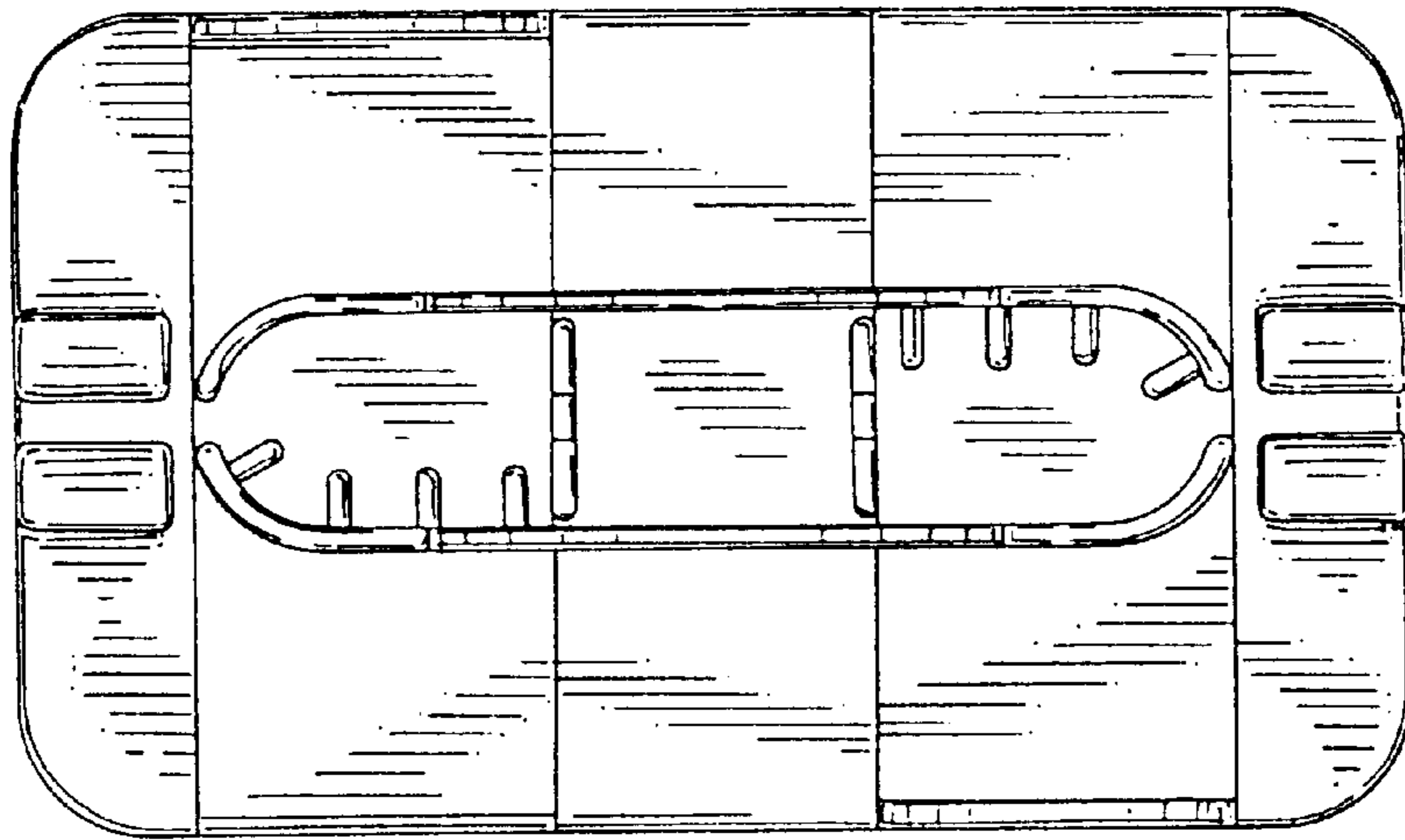


FIG. 5

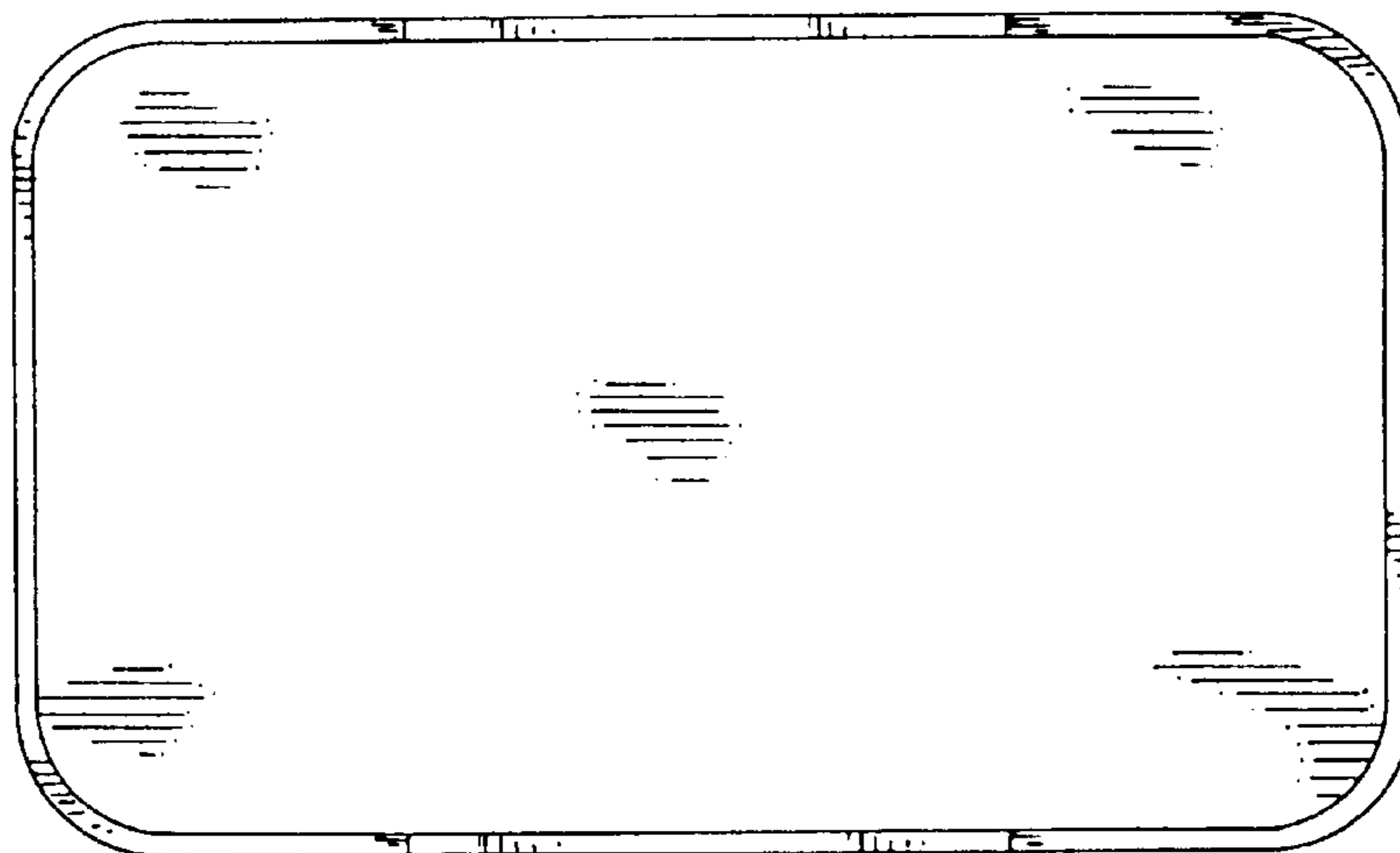


FIG. 6

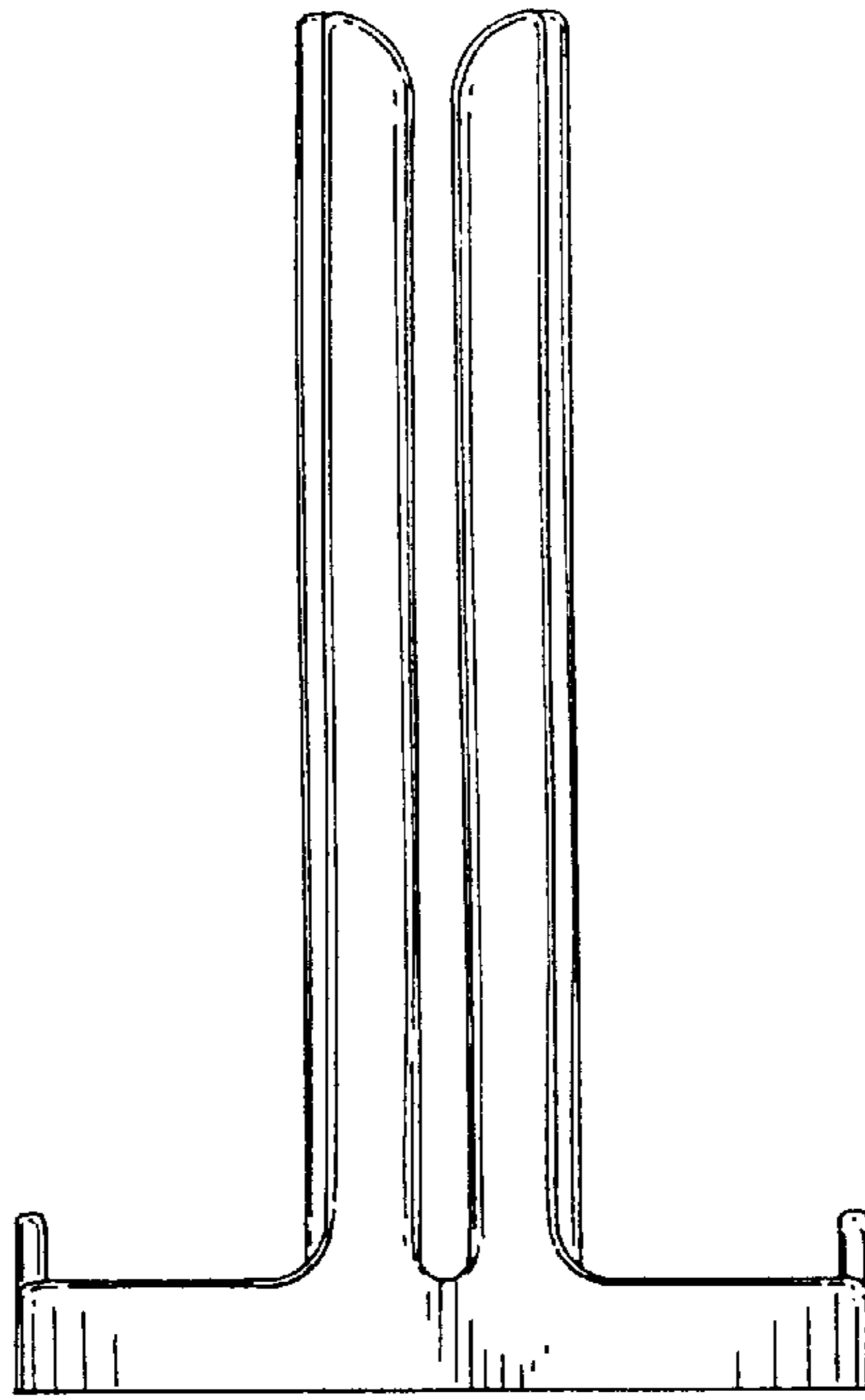


FIG. 7

