



US00D412267S

United States Patent [19]
Anderson

[11] **Patent Number: Des. 412,267**
[45] **Date of Patent: ** Jul. 27, 1999**

[54] **INSULATIVE CONTAINER**

[75] Inventor: **Dana J. Anderson**, P.O. Box 7121,
Olympia, Wash. 98507

[73] Assignee: **Dana J. Anderson**, Olympia, Wash.

[**] Term: **14 Years**

[21] Appl. No.: **29/088,004**

[22] Filed: **May 13, 1998**

[51] **LOC (6) Cl.** **07-01**

[52] **U.S. Cl.** **D7/605**

[58] **Field of Search** D7/605, 607; 220/410,
220/412; D3/287, 301, 273, 276; 62/371,
457.1, 457.2; 206/443, 545, 541, 548, 549

[56] **References Cited**

U.S. PATENT DOCUMENTS

D. 373,515	9/1996	Melk	D7/607
5,040,678	8/1991	Lewnmark et al.	206/443
5,658,314	8/1997	Scheffer et al.	202/545 X

Primary Examiner—Mitchell I. Siegel
Attorney, Agent, or Firm—Seed and Berry LLP

[57] **CLAIM**

The ornamental design for an insulative container, as shown and described.

DESCRIPTION

FIG. 1 is a front perspective view in an opened position of a first embodiment of an insulative container showing my new design.

FIG. 2 is a top plan view thereof.

FIG. 3 is a bottom plan view thereof.

FIG. 4 is a right side elevational view thereof.

FIG. 5 is a left side elevational view thereof.

FIG. 6 is a rear plan view thereof.

FIG. 7 is a front plan view thereof.

FIG. 8 is a front perspective view in an opened position of a second embodiment of an insulative container.

FIG. 9 is a top plan view thereof.

FIG. 10 is a right side elevational view thereof.

FIG. 11 is a left side elevational view thereof.

FIG. 12 is a rear plan view thereof.

FIG. 13 is a front plan view thereof.

FIG. 14 is a front perspective view in an opened position of a third embodiment of an insulative container;

FIG. 15 is a top plan view thereof.

FIG. 16 is a bottom plan view thereof.

FIG. 17 is a right side elevational view thereof, the undisclosed opposite side being a mirror image.

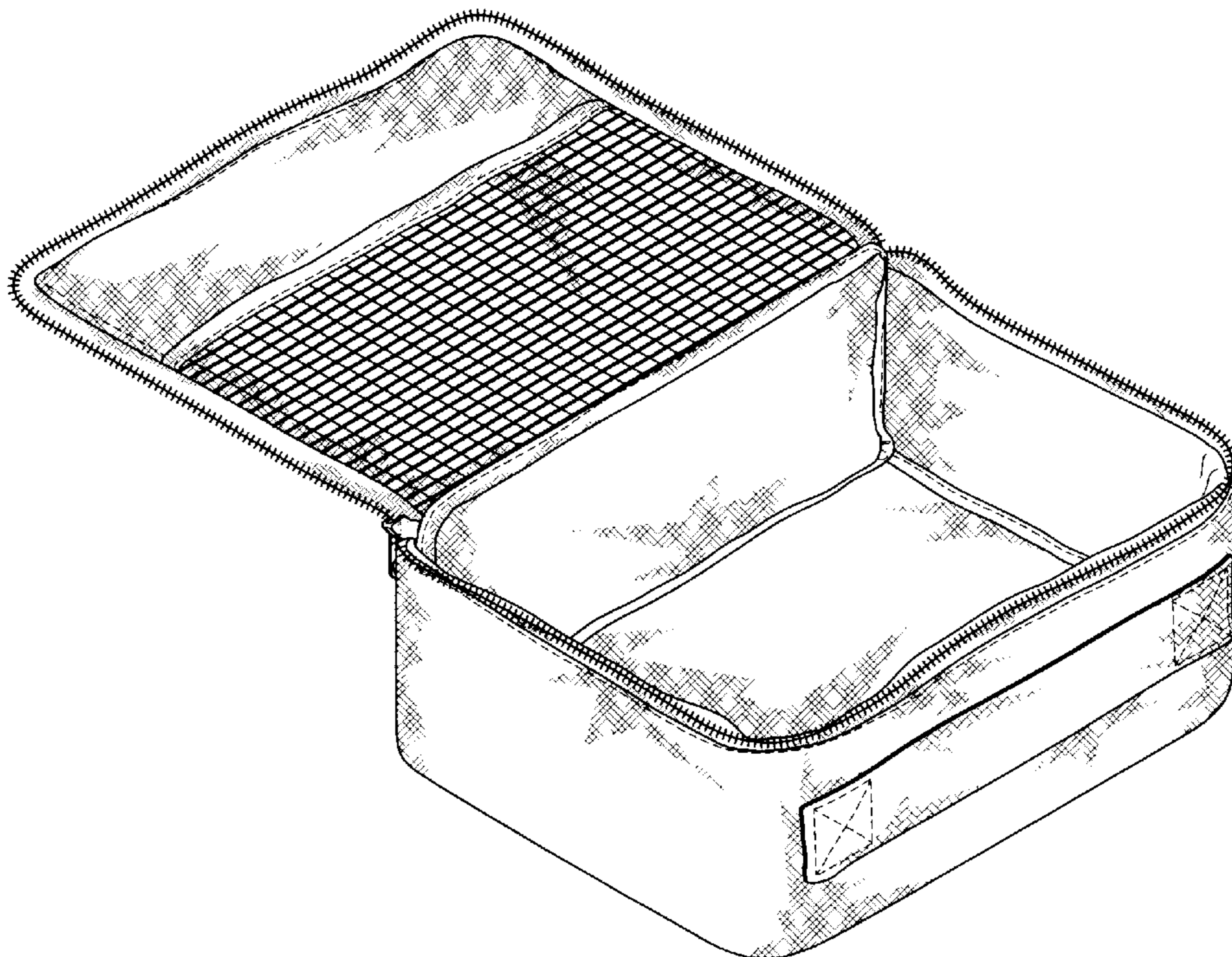
FIG. 18 is a rear plan view thereof.

FIG. 19 is a front plan view thereof; and,

FIG. 20 is a front perspective view of the first embodiment of the insulative container, shown within a lunch box.

The broken line disclosed on the insulative container is representative of standard stitching.

1 Claim, 8 Drawing Sheets



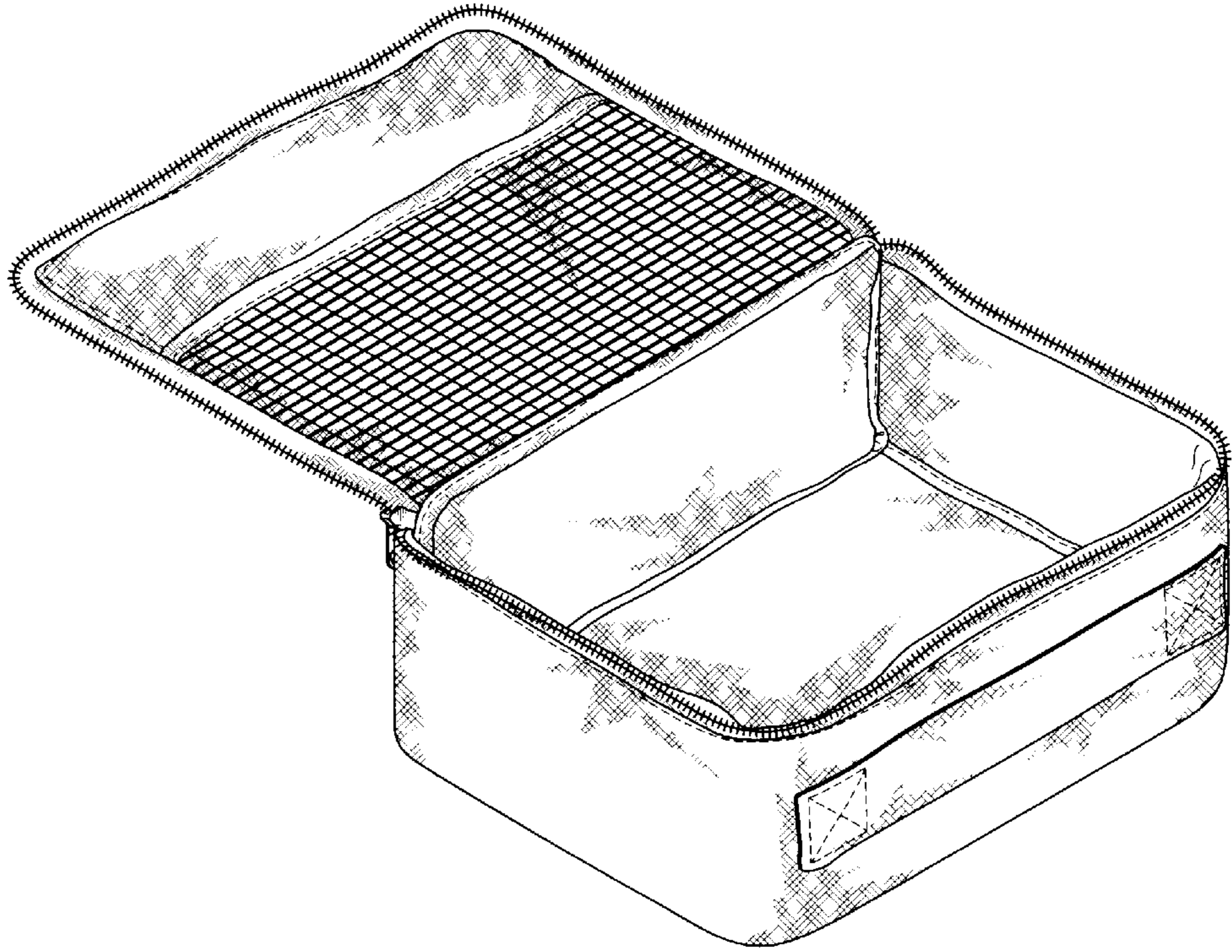


Fig. 1

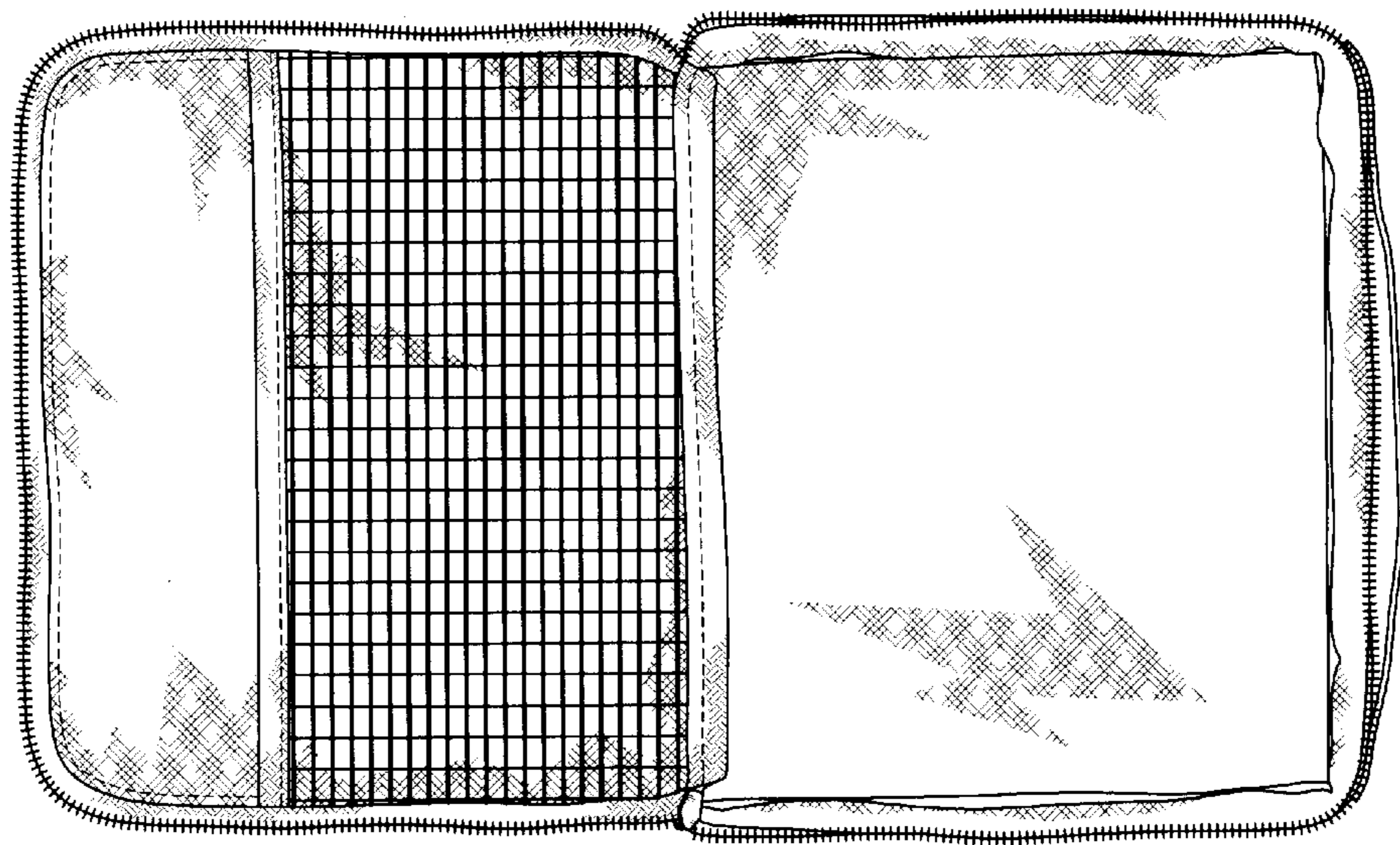


Fig. 2

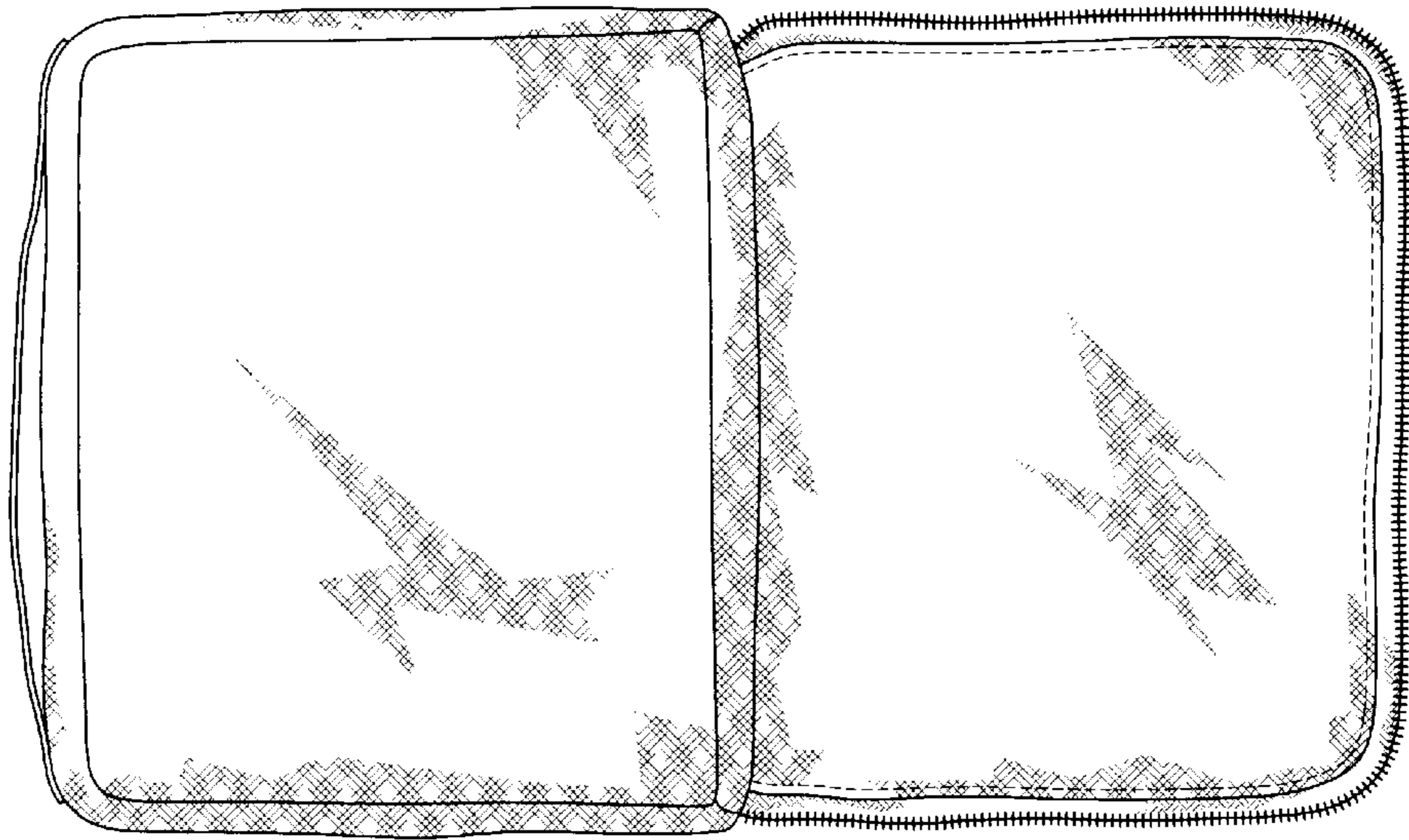


Fig. 3

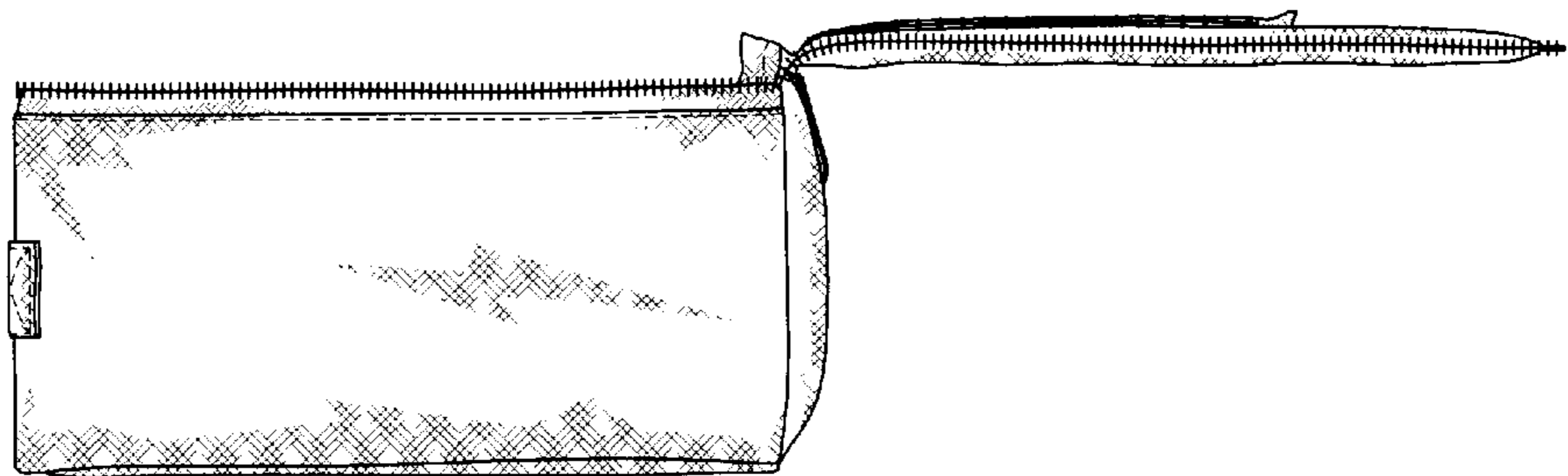


Fig. 4

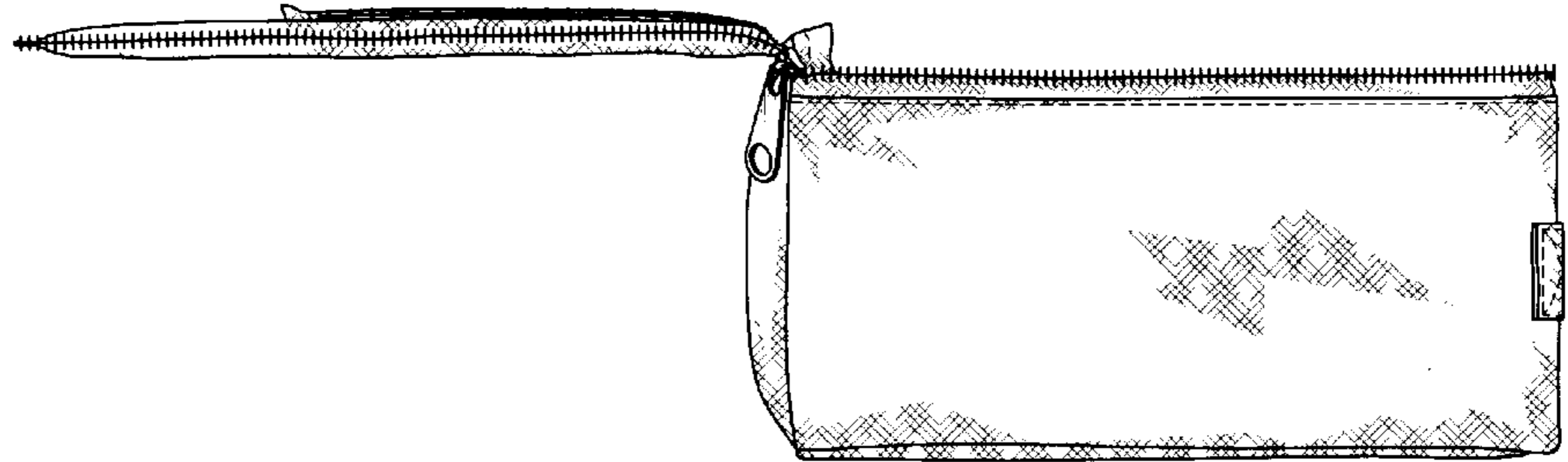


Fig. 5

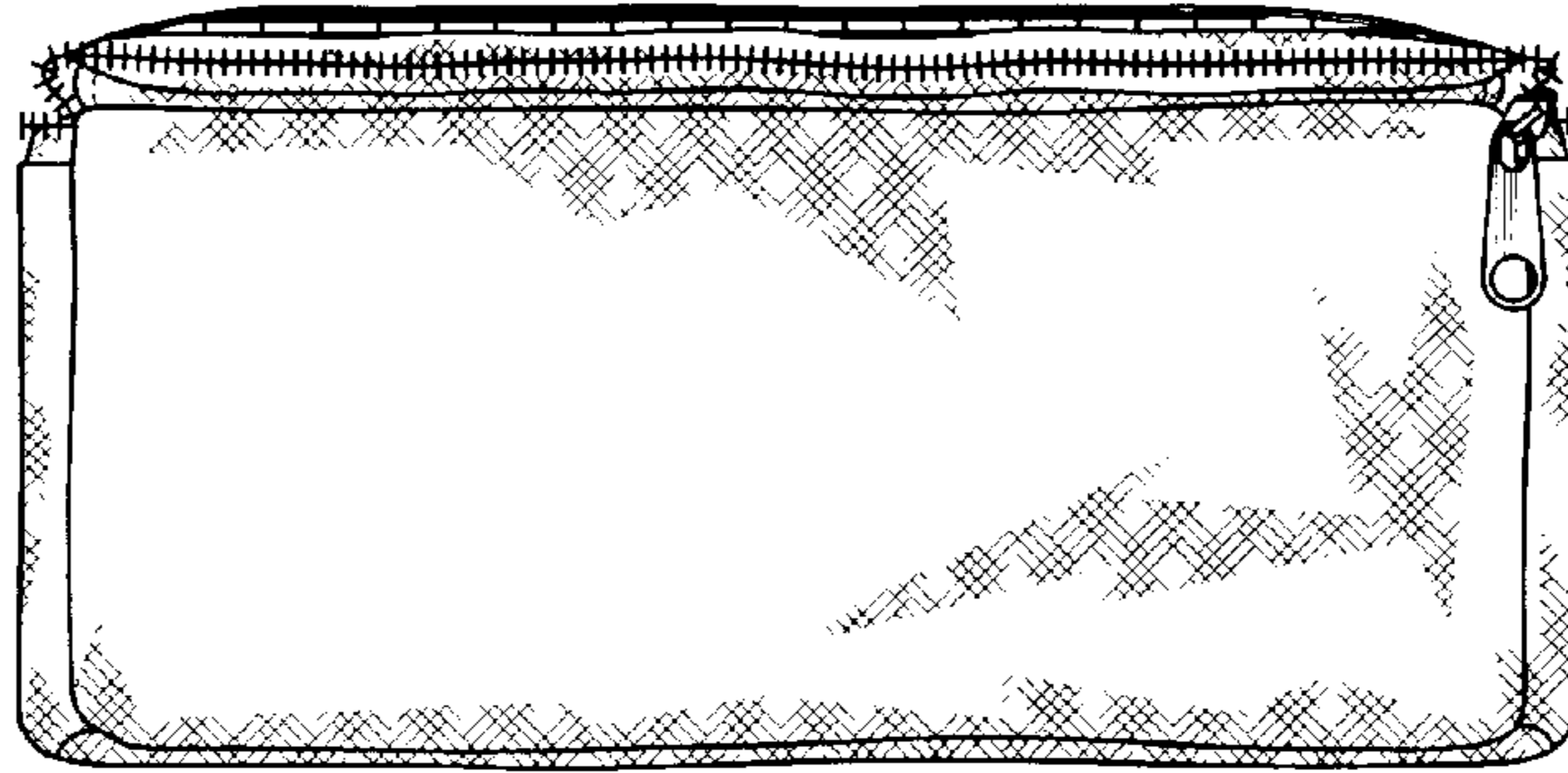


Fig. 6

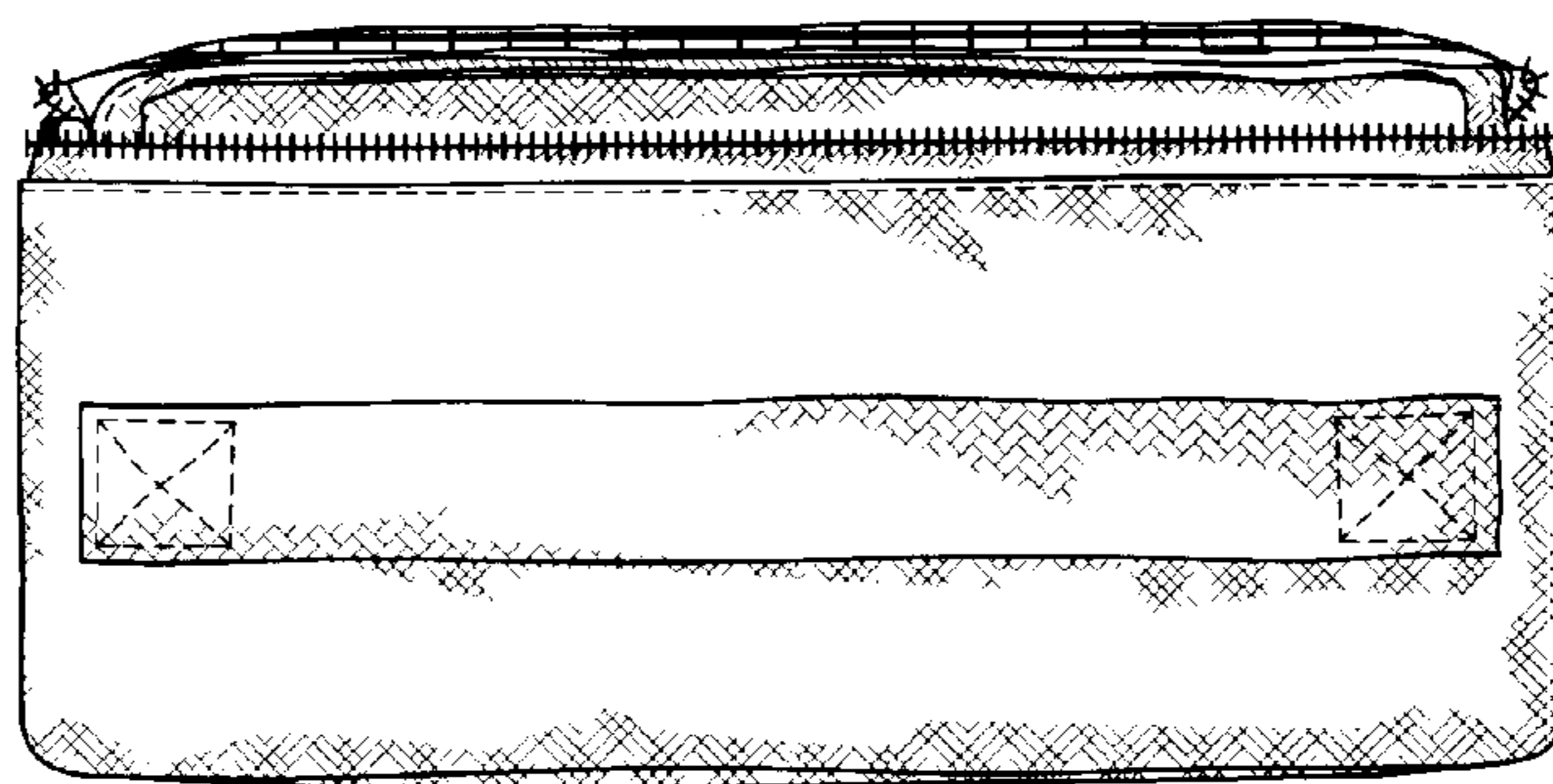


Fig. 7

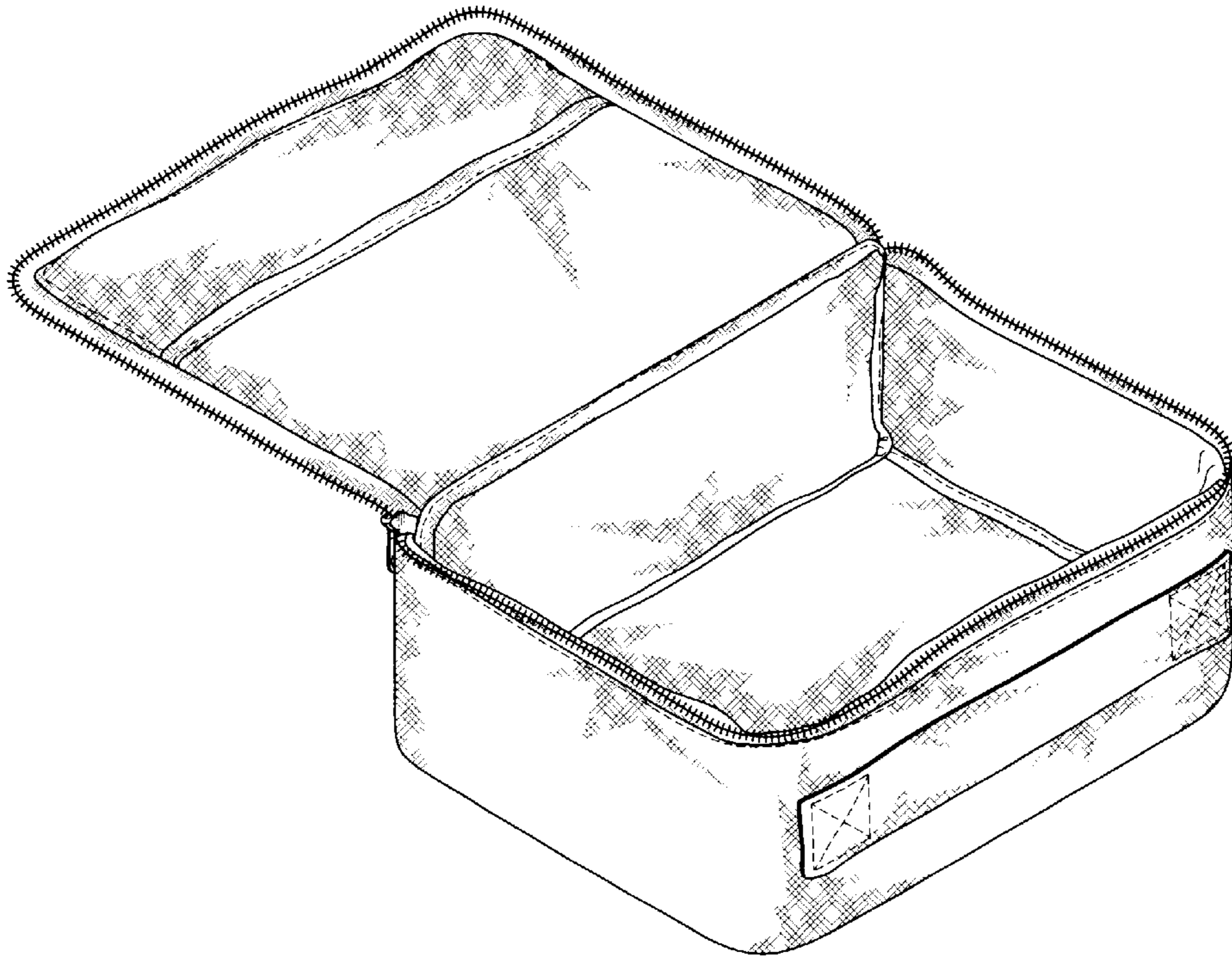


Fig. 8

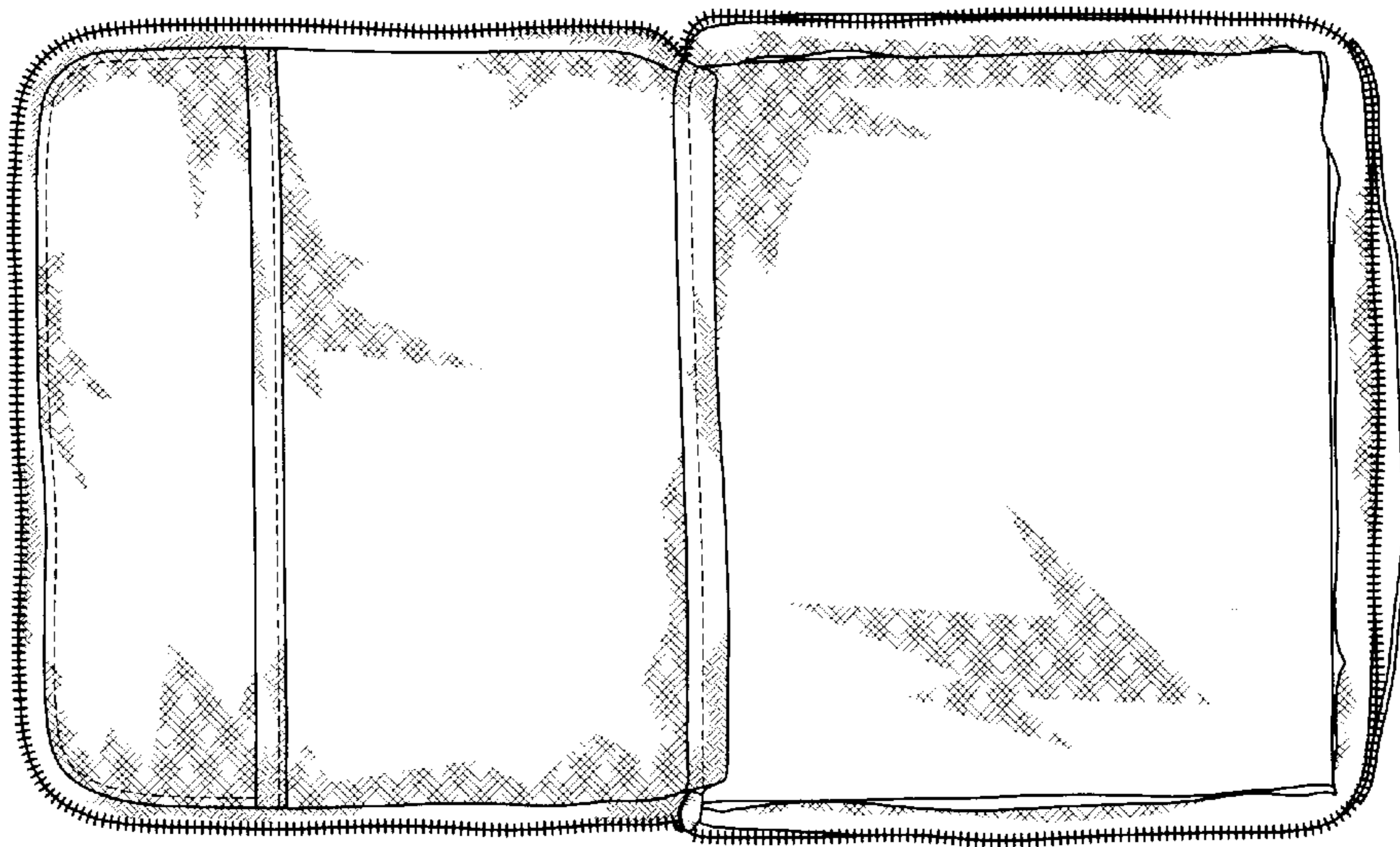


Fig. 9

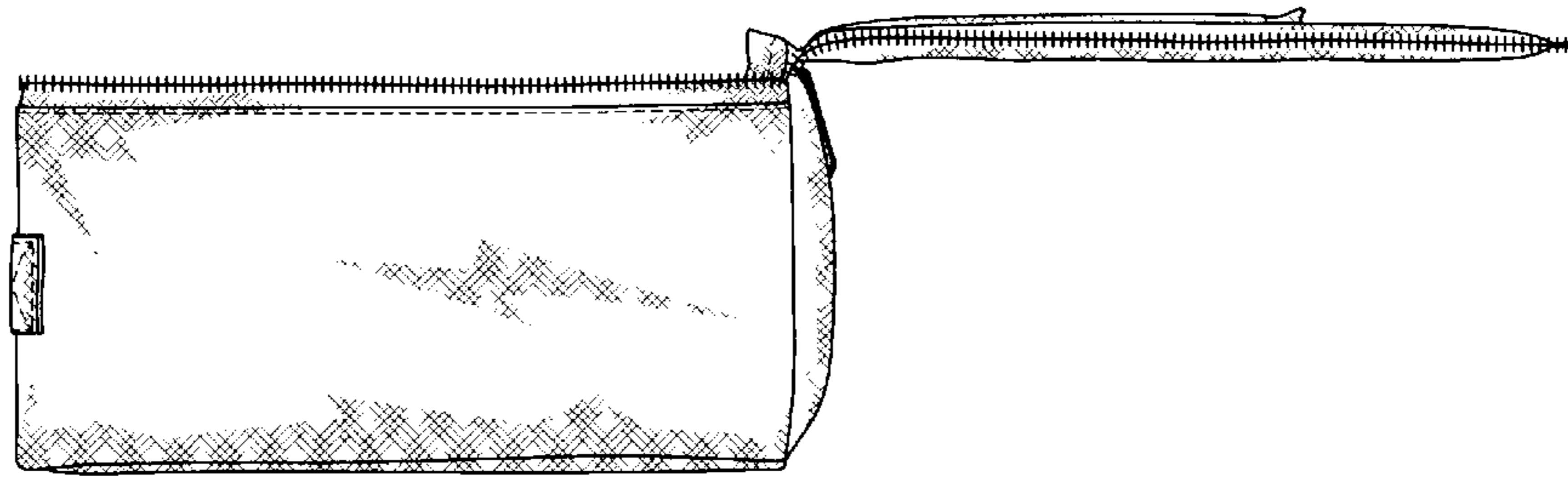


Fig. 10

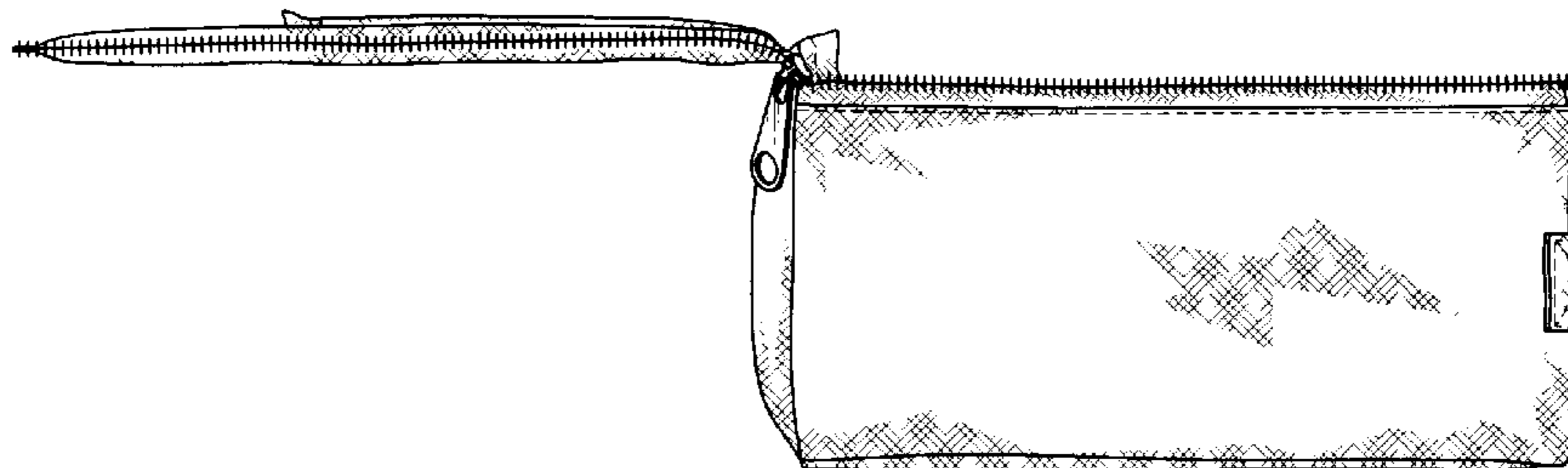


Fig. 11

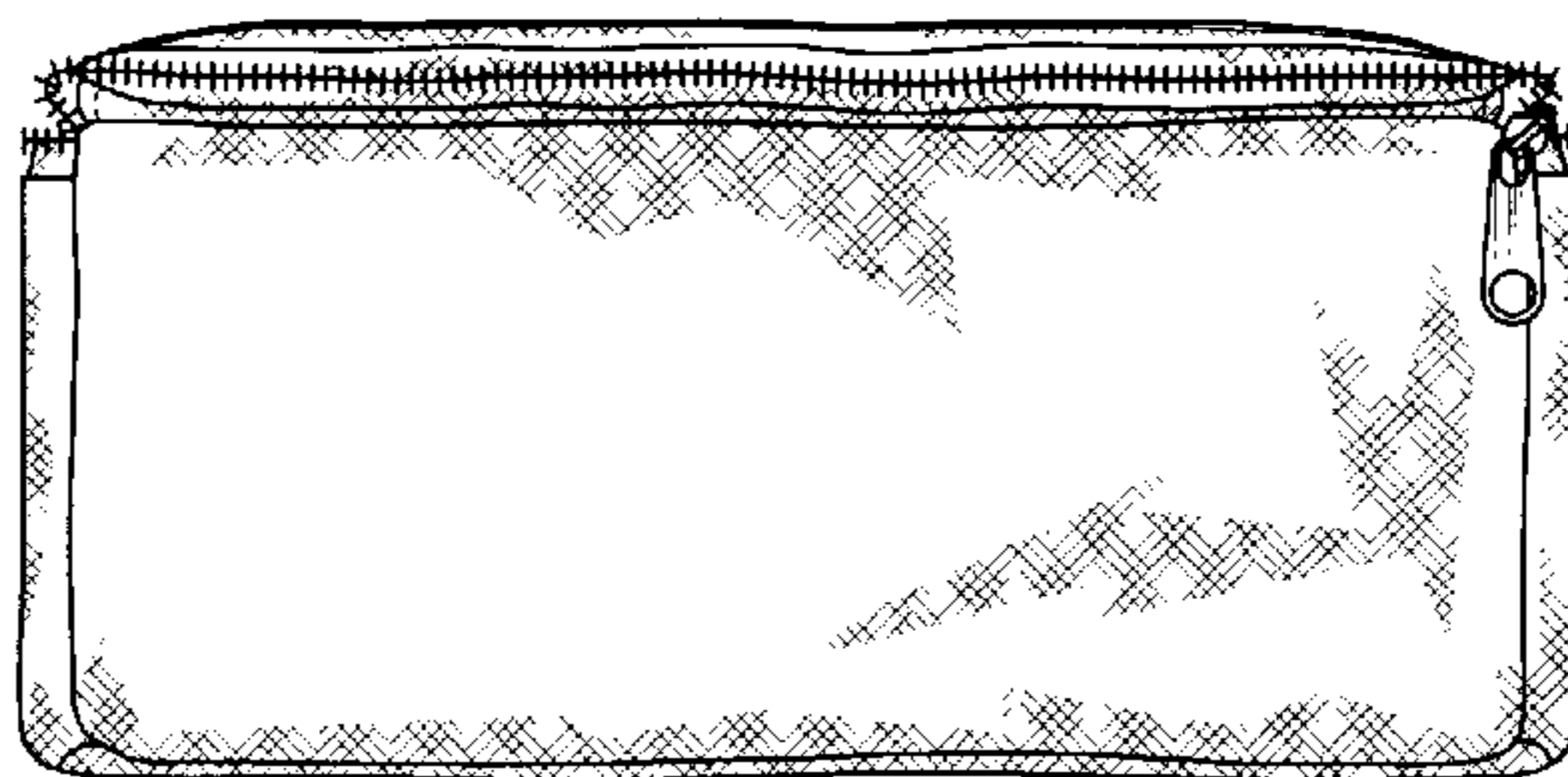


Fig. 12



Fig. 13

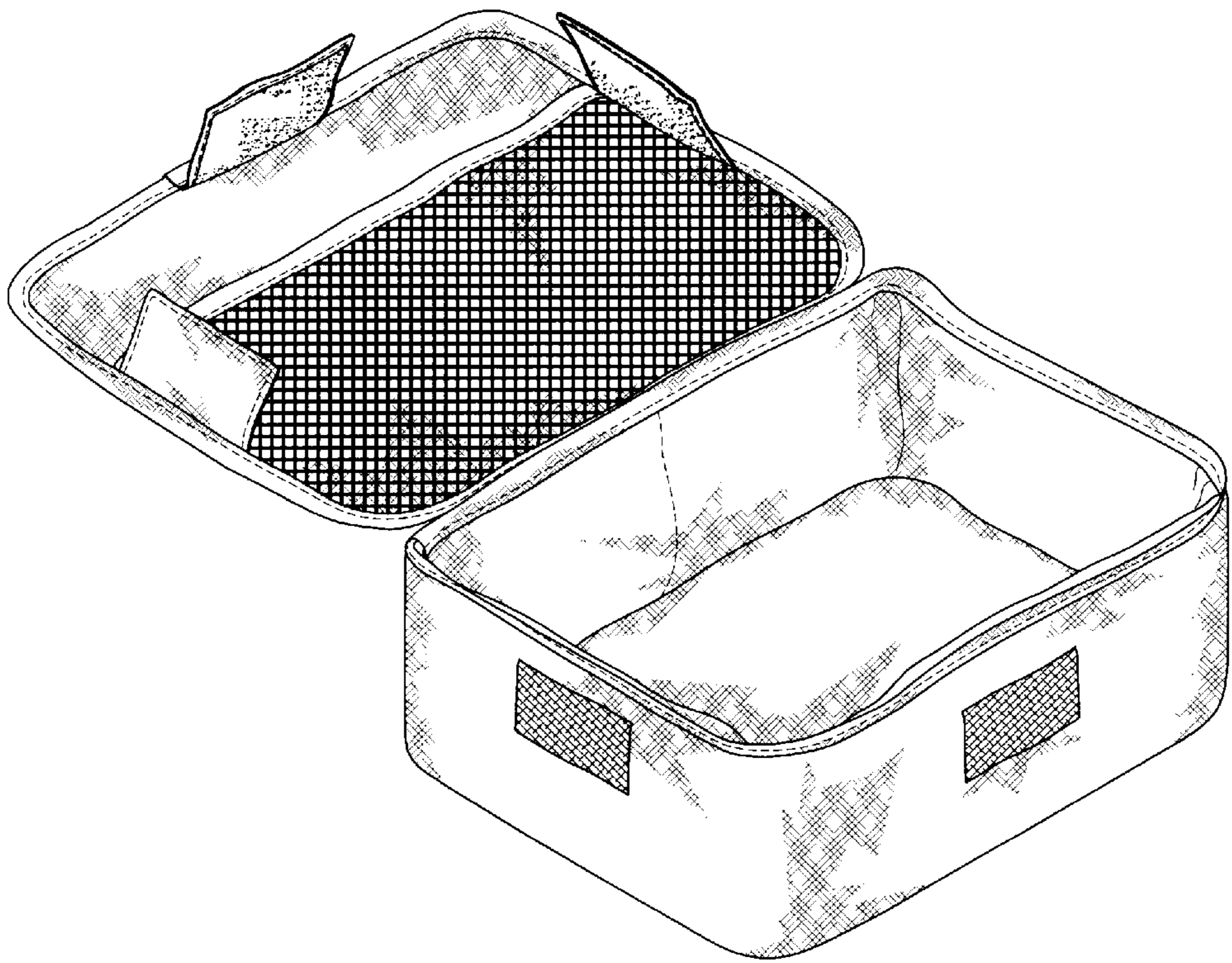


Fig. 14

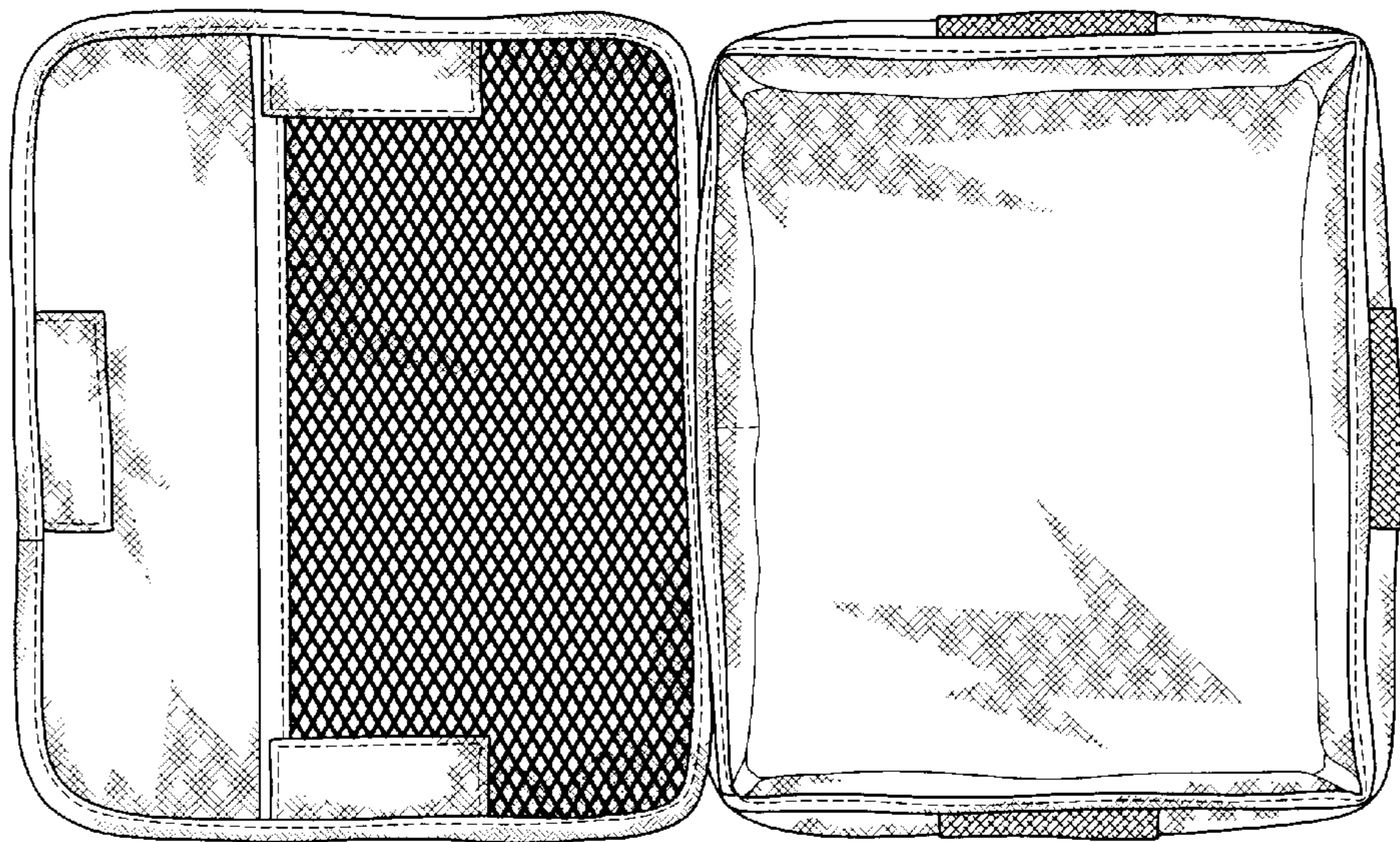


Fig. 15

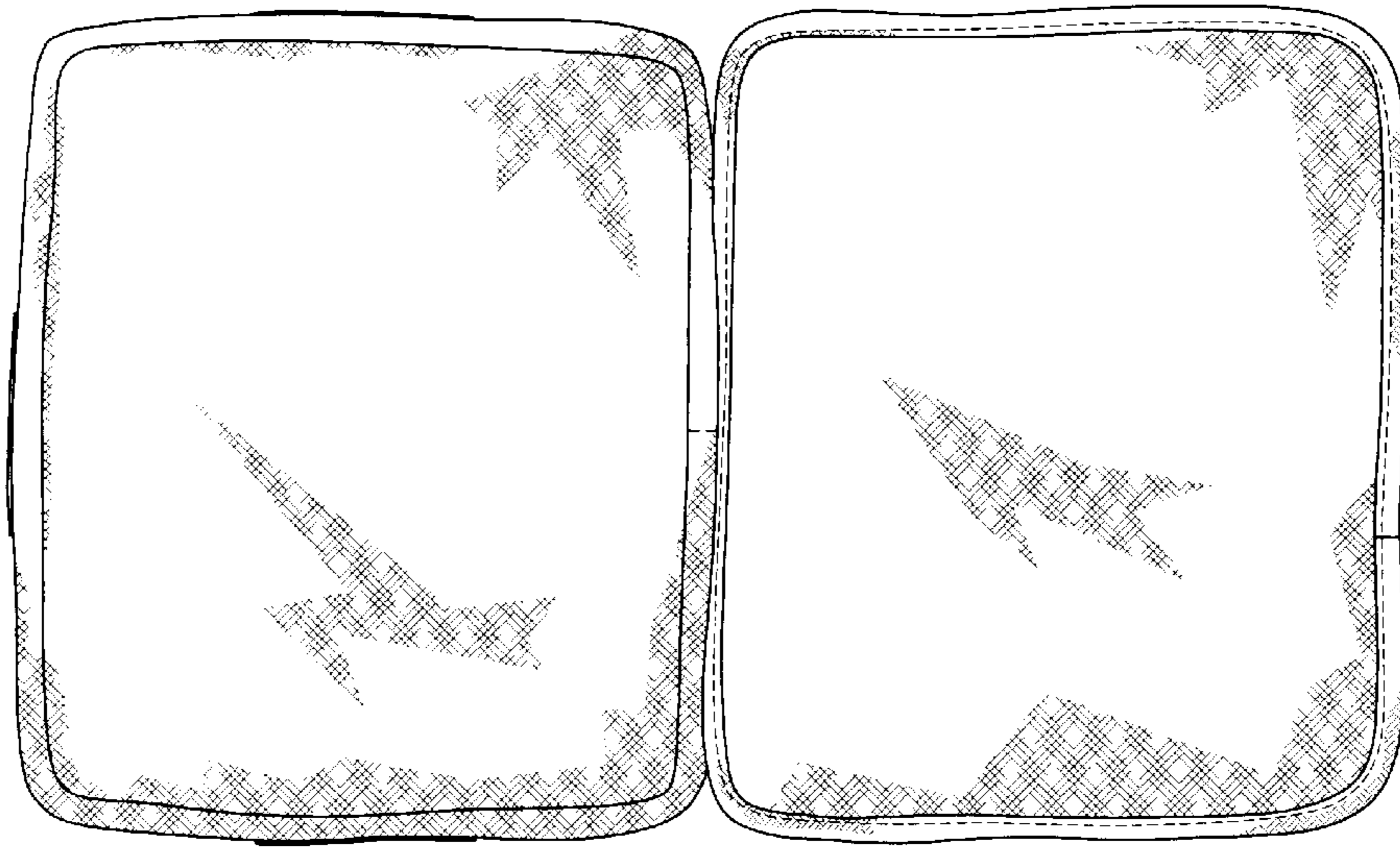


Fig. 16

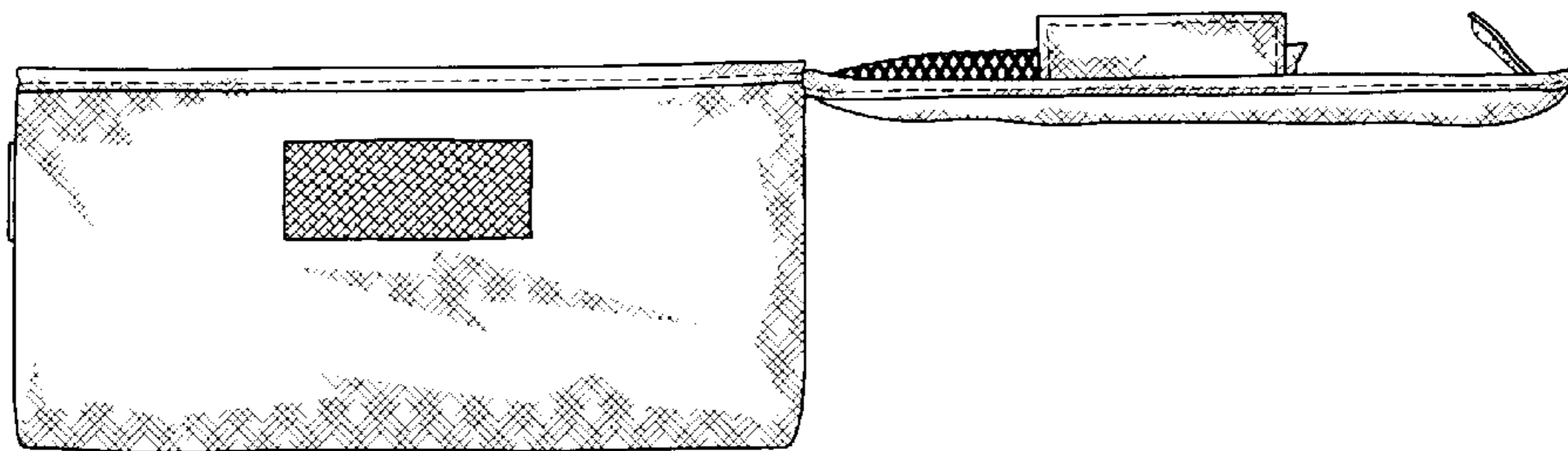


Fig. 17

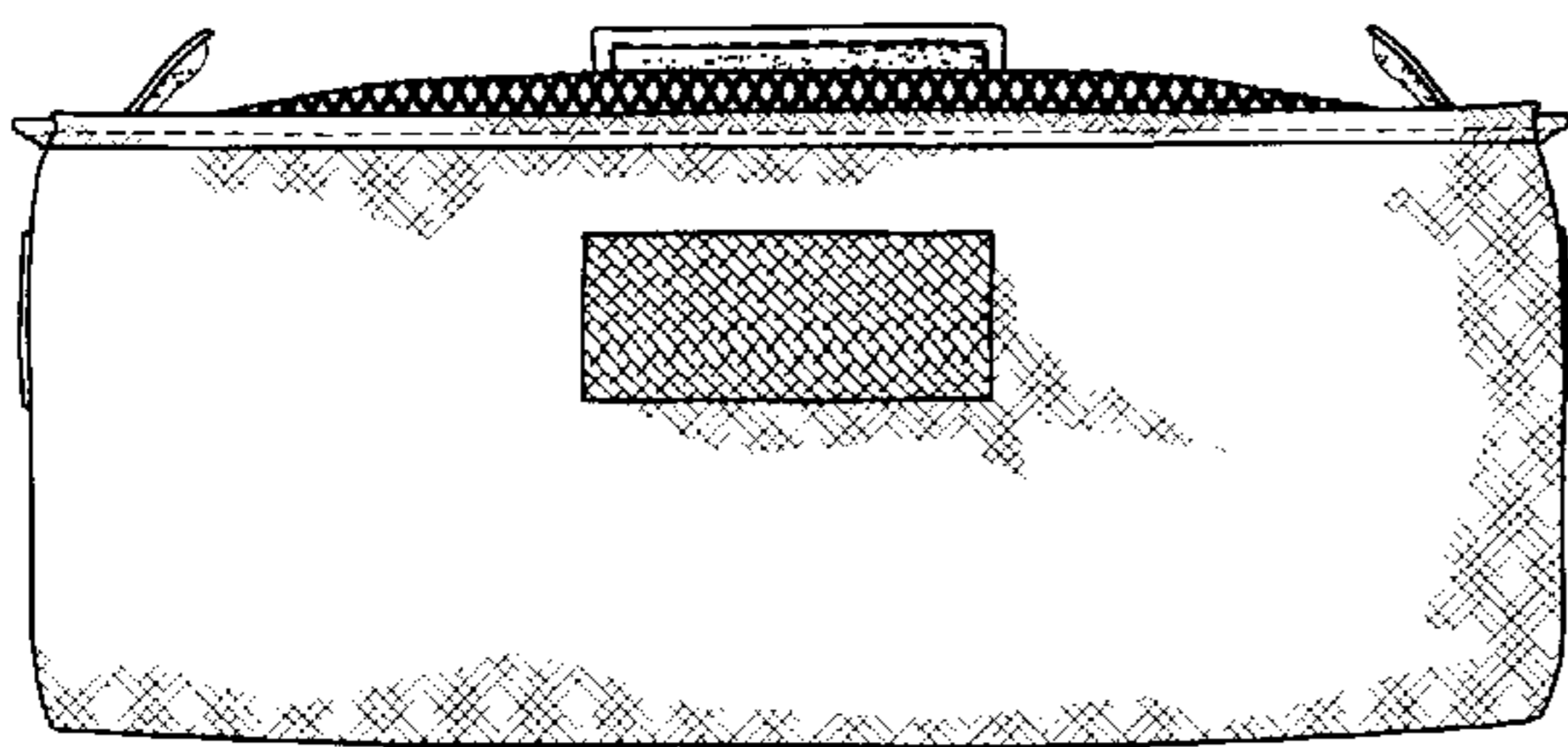


Fig. 18

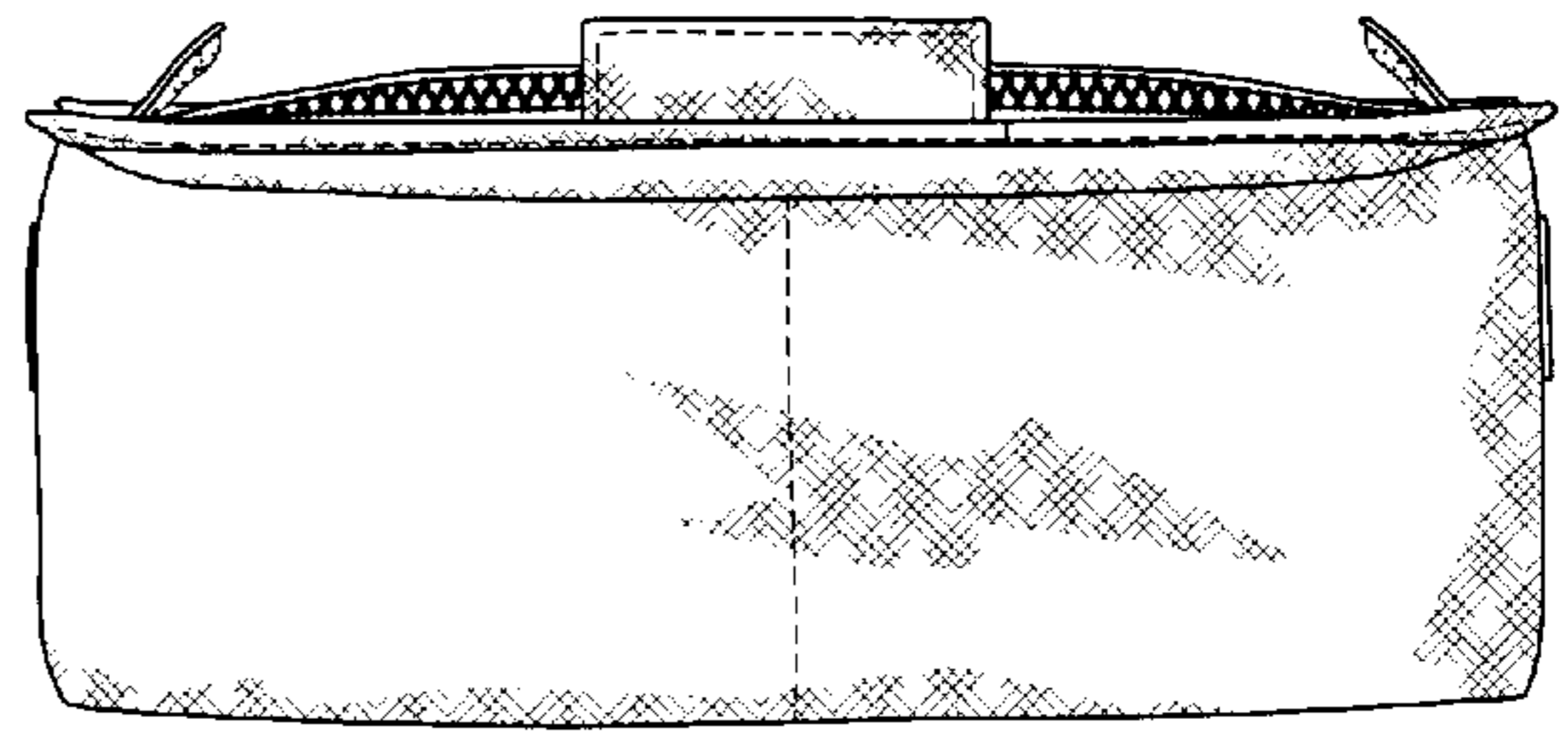


Fig. 19

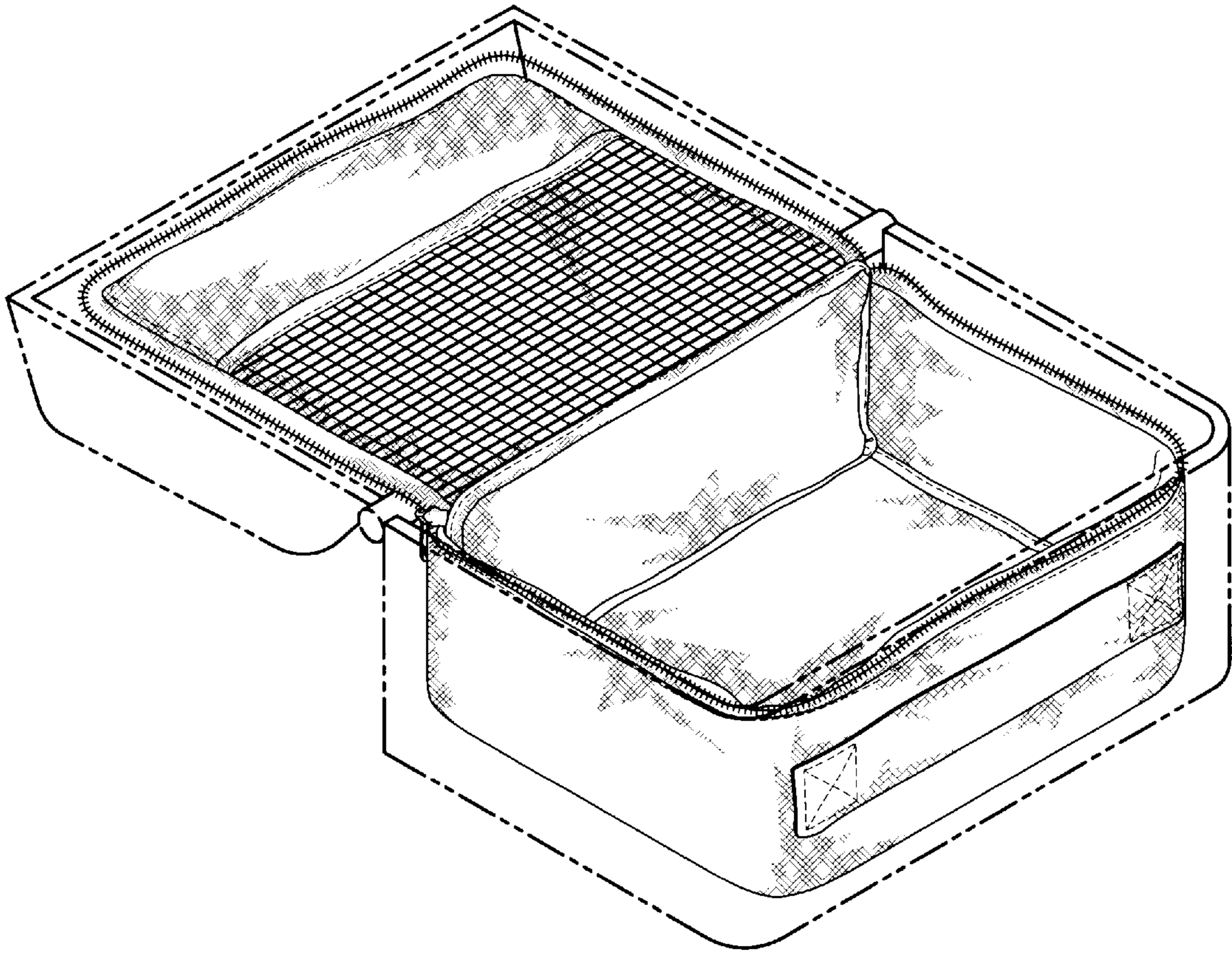


Fig. 20