



US00D412266S

United States Patent [19] Kerr

[11] Patent Number: Des. 412,266

[45] Date of Patent: ** Jul. 27, 1999

[54] CANISTER

[75] Inventor: **Helen Elizabeth Glenton Kerr**,
Toronto, Canada

[73] Assignee: **Umbra Inc.**, Buffalo, N.Y.

[**] Term: **14 Years**

[21] Appl. No.: **29/076,977**

[22] Filed: **Sep. 22, 1997**

[51] LOC (6) Cl. **07-01**

[52] U.S. Cl. **D7/542; D7/538**

[58] Field of Search D7/605, 540, 629,
D7/538, 542, 354, 356; 220/369, 4.21,
234, 23.83; 99/413; 219/729

[56] **References Cited**

U.S. PATENT DOCUMENTS

D. 105,937	9/1937	Conroy	D7/542	X
D. 122,775	10/1940	Hoople	D7/540	
D. 153,999	5/1949	Ulvad	D7/540	X
D. 167,292	7/1952	Wagner	D7/542	
D. 171,803	3/1954	Lawrence, Jr.	D7/540	
D. 246,819	1/1978	Breger	D7/542	
D. 272,504	2/1984	Angelakos	D7/542	
D. 280,058	8/1985	Carlson	D7/542	
D. 282,135	1/1986	McClelland	D7/356	X
D. 328,836	8/1992	Unger	D7/542	

D. 332,892	2/1993	Sun	D7/540
D. 338,373	8/1993	Sun	D7/540
D. 403,922	1/1999	Terracciano et al.	D7/542
3,941,967	3/1976	Sumi et al.	219/729
4,351,164	9/1982	Christiani	220/23.83
4,512,497	4/1985	Grusin	220/369
4,832,225	5/1989	Benjamin	220/254

OTHER PUBLICATIONS

covered dish, Woodward and Lothrop catalog rec'd Oct. 18, 1991.

Primary Examiner—M. N. Pandozzi
Attorney, Agent, or Firm—Ostrolenk, Faber, Gerb & Soffen, LLP

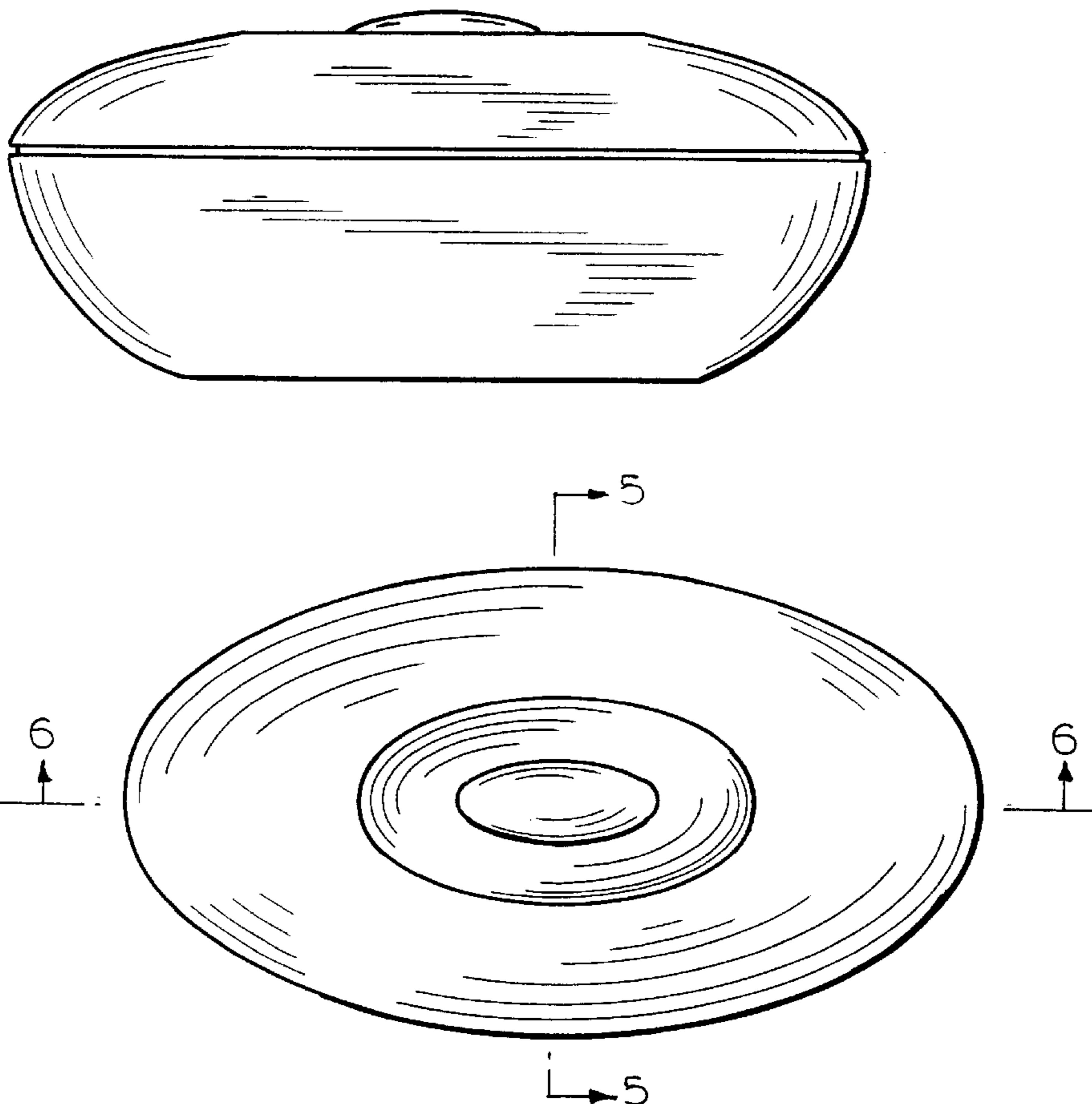
[57] CLAIM

The ornamental design for a canister, as shown.

DESCRIPTION

FIG. 1 is a front elevational view of a canister showing my new design, the rear view being a mirror image thereof; FIG. 2 is a top view thereof; FIG. 3 is a bottom view thereof; FIG. 4 is a side view thereof, the other side view being a mirror image thereof; FIG. 5 is a section view along 5—5 of FIG. 2; and, FIG. 6 is a section view along 6—6 of FIG. 2.

1 Claim, 2 Drawing Sheets



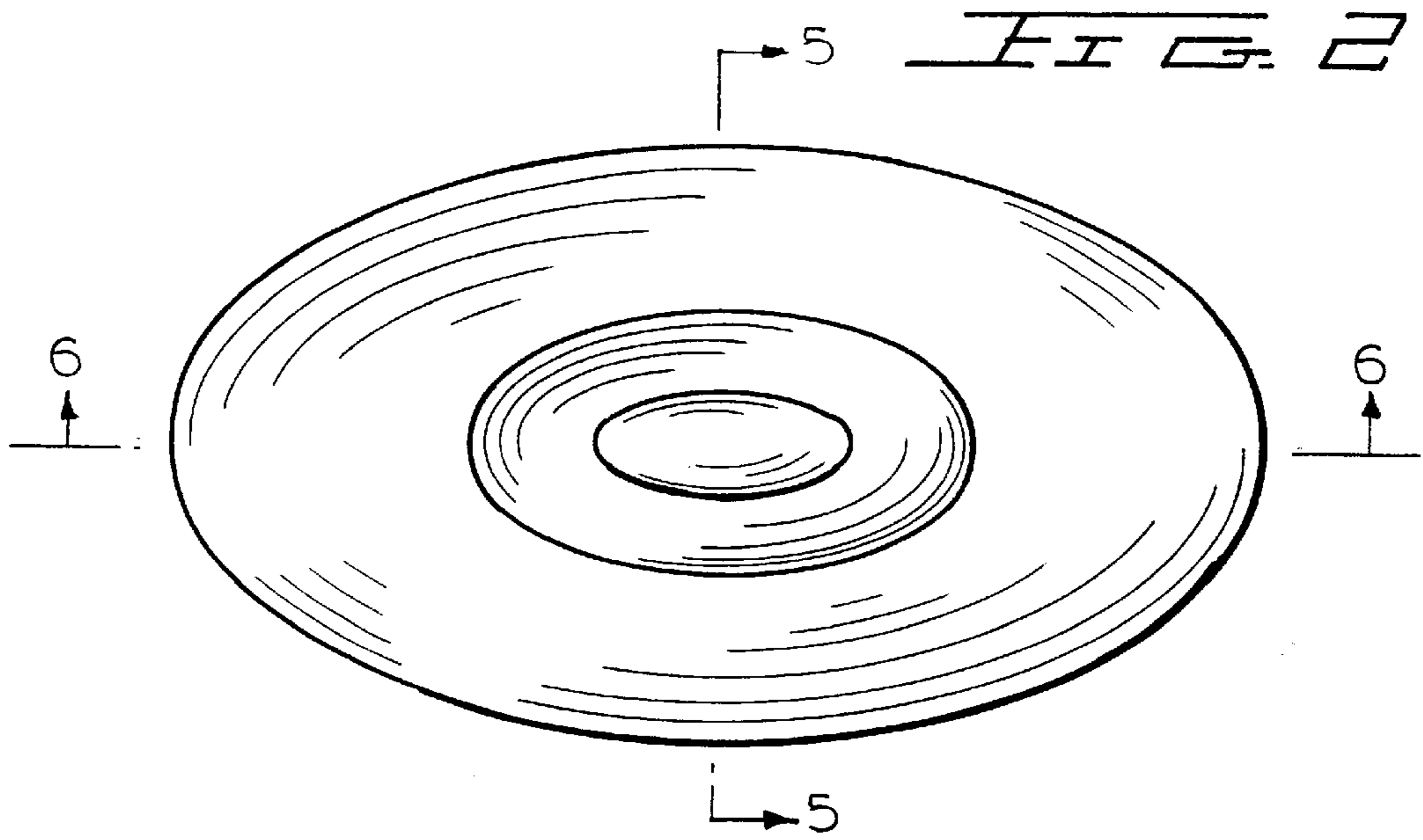


FIG. 1

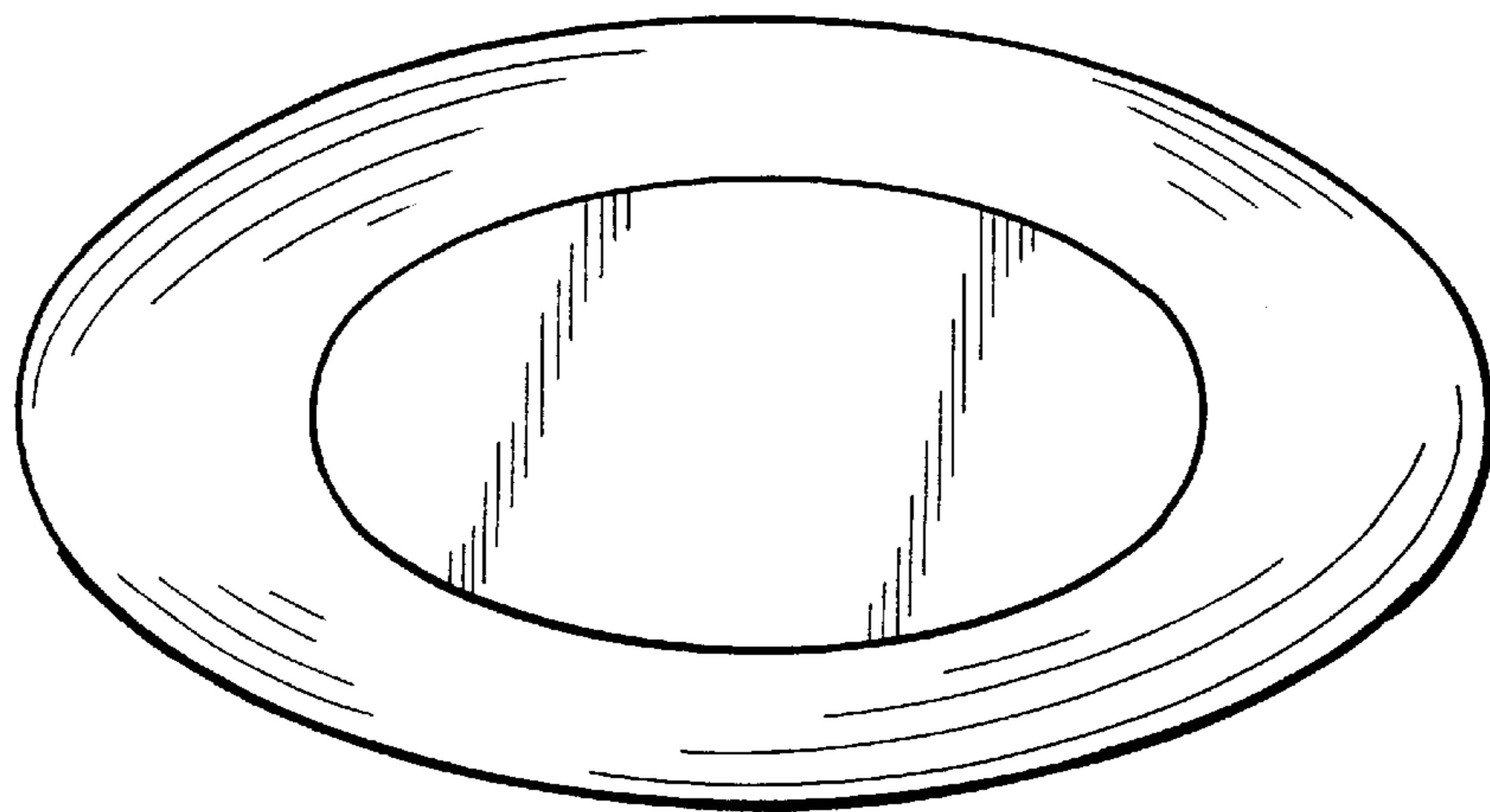
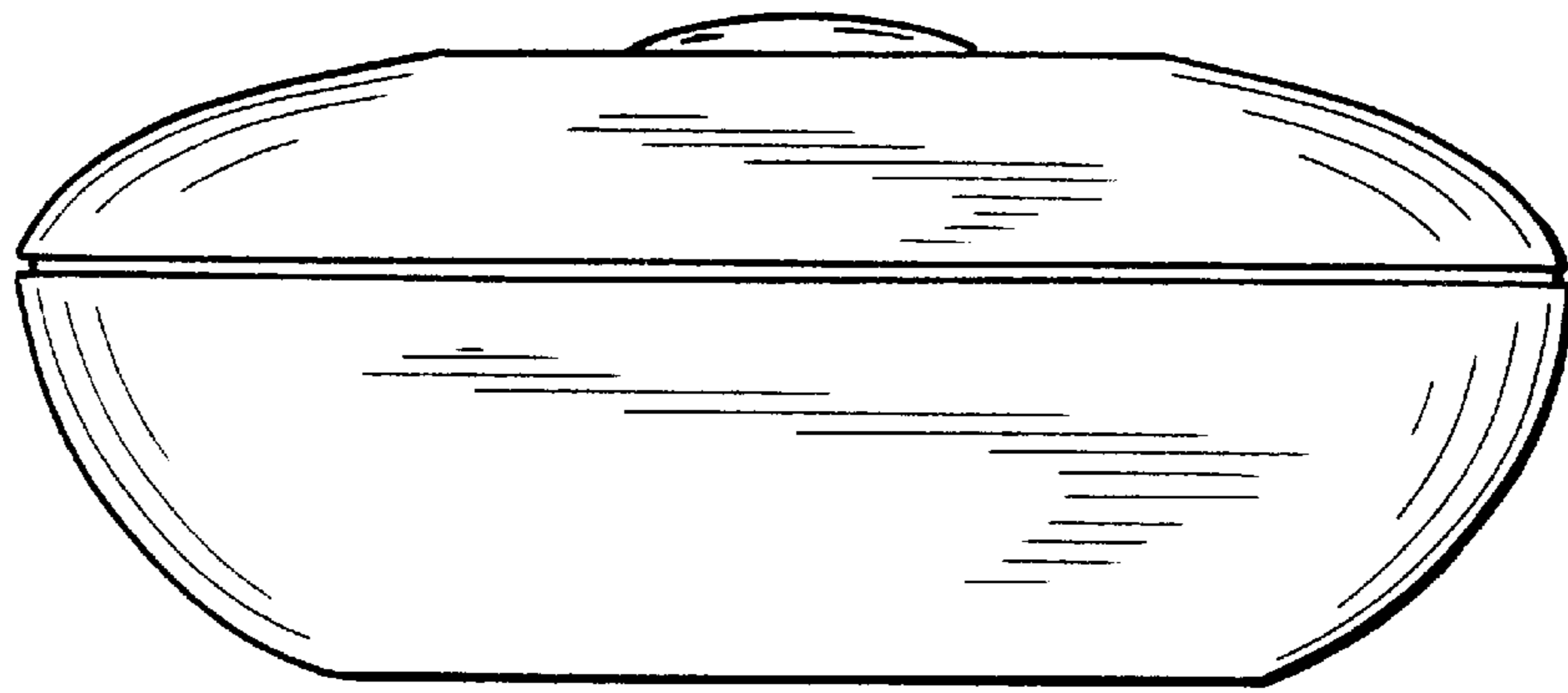


FIG. 3

FIG. 4

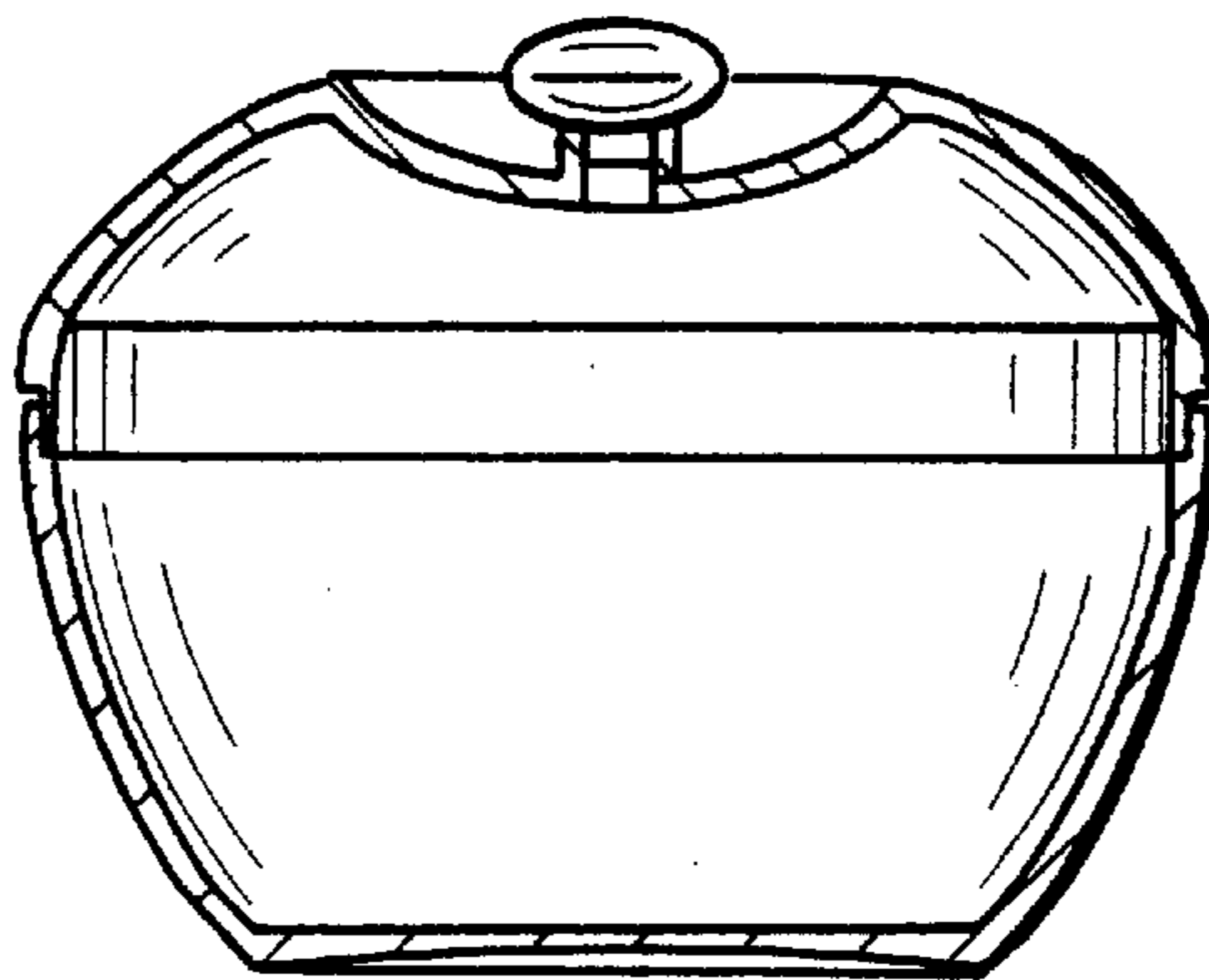
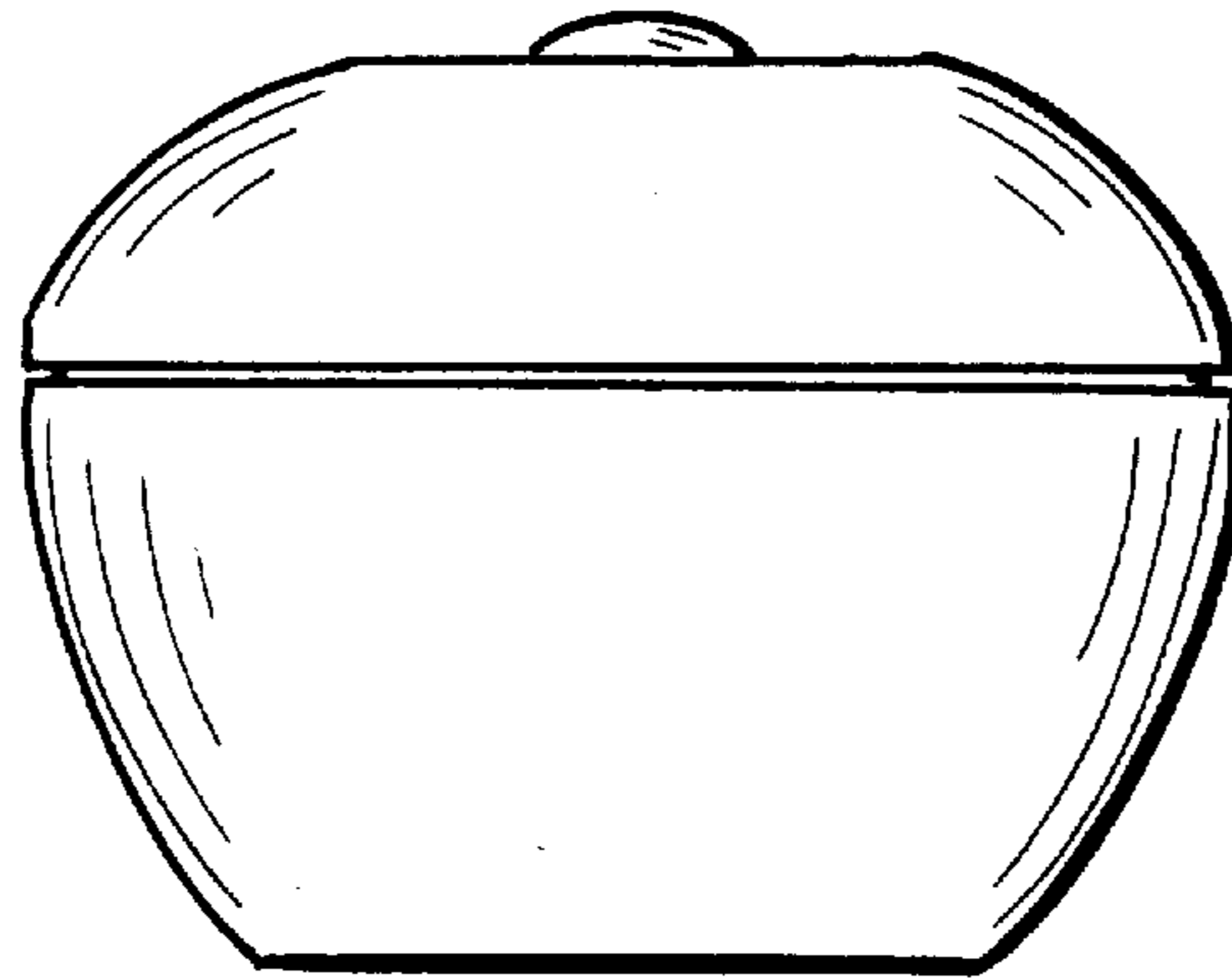


FIG. 5

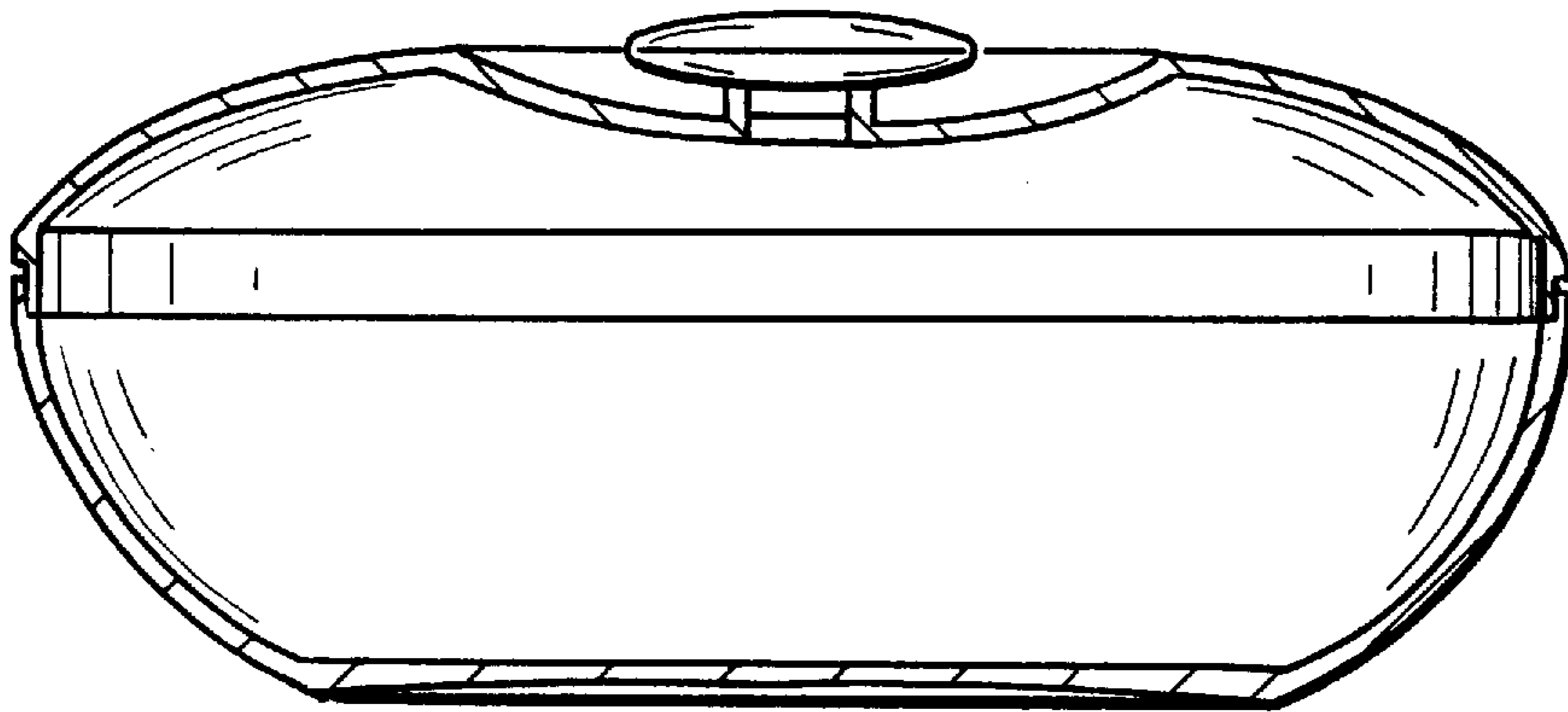


FIG. 6