



US00D412265S

United States Patent [19]
Hall, Jr.

[11] **Patent Number: Des. 412,265**
[45] **Date of Patent: ** Jul. 27, 1999**

[54] **CONTAINER LID HAVING A DOUBLE-POUR SPOUT**

[76] Inventor: **Charles E. Hall, Jr.**, 709 Utz La.,
Hazelwood, Mo. 63042

[**] Term: **14 Years**

[21] Appl. No.: **29/092,327**

[22] Filed: **Aug. 17, 1998**

[51] **LOC (6) Cl.** **07-99**

[52] **U.S. Cl.** **D7/392; D7/391; D7/392.1**

[58] **Field of Search** D7/391, 392, 392.1,
D7/601, 602, 608, 538, 541, 542, 510.5,
396.2, 612; D9/503, 435, 440, 445, 446,
447, 454; 220/711, 713, 254

[56] **References Cited**

U.S. PATENT DOCUMENTS

D. 269,361	6/1983	Marschak	D9/435	X
D. 278,115	3/1985	Leininger	D7/392	
D. 297,875	9/1988	Carville	D7/391	X
D. 326,391	5/1992	Verchere	D7/612	X
D. 363,638	10/1995	Feer	D7/391	
D. 375,654	11/1996	Ferris	D7/392.1	
D. 389,012	1/1998	Miller	D7/391	
3,187,964	6/1965	Foster	.		
3,262,612	7/1966	Tabor	.		
3,424,342	1/1969	Scopp et al.	D7/391	X
4,498,611	2/1985	Yoshihara	.		

4,545,508	10/1985	Cribb, Jr. et al.	.	
4,903,870	2/1990	LaVange	.	
4,982,882	1/1991	Gueret	.	
5,337,911	8/1994	Holub	.	
5,582,315	12/1996	Reid	.	
5,660,299	8/1997	Harvey	.	
5,791,508	8/1998	Arnould	220/254

Primary Examiner—M. N. Pandozzi
Attorney, Agent, or Firm—Howell & Haferkamp, L.C.

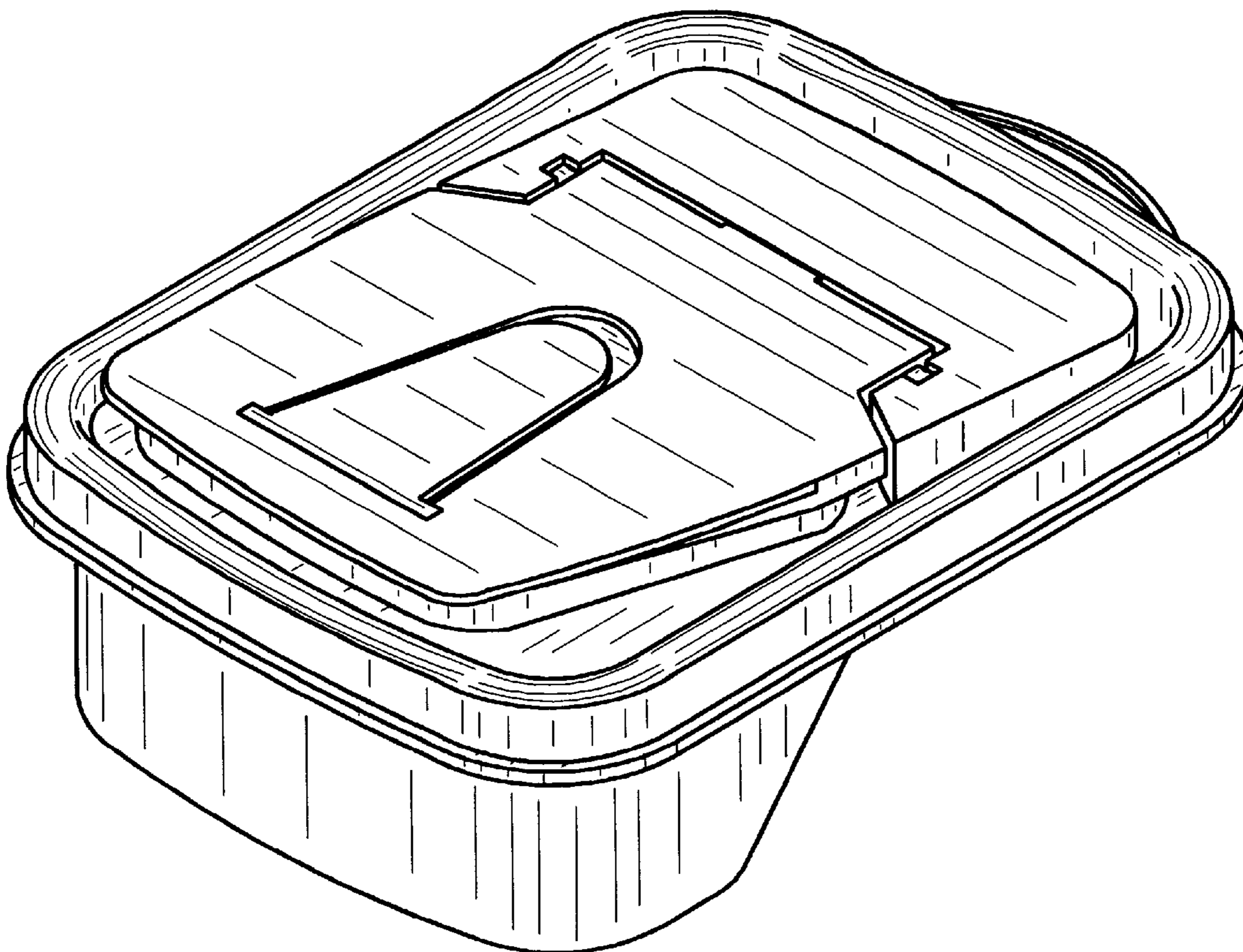
[57] **CLAIM**

The ornamental design for a container lid having a double-pour spout, as shown and described.

DESCRIPTION

FIG. 1 is a front perspective view of a container lid having a double-pour spout showing my new design;
FIG. 2 is a top plan view of the container lid of FIG. 1;
FIG. 3 is a bottom plan view of the container lid of FIG. 1;
FIG. 4 is a front elevation view of the container lid of FIG. 1;
FIG. 5 is a rear elevation view of the container lid of FIG. 1;
FIG. 6 is a left side elevation view of the container lid of FIG. 1, the right side elevation view being a mirror image of FIG. 6; and,
FIG. 7 is a perspective view of the container lid of FIG. 1 with the double-pour spout opened.

1 Claim, 3 Drawing Sheets



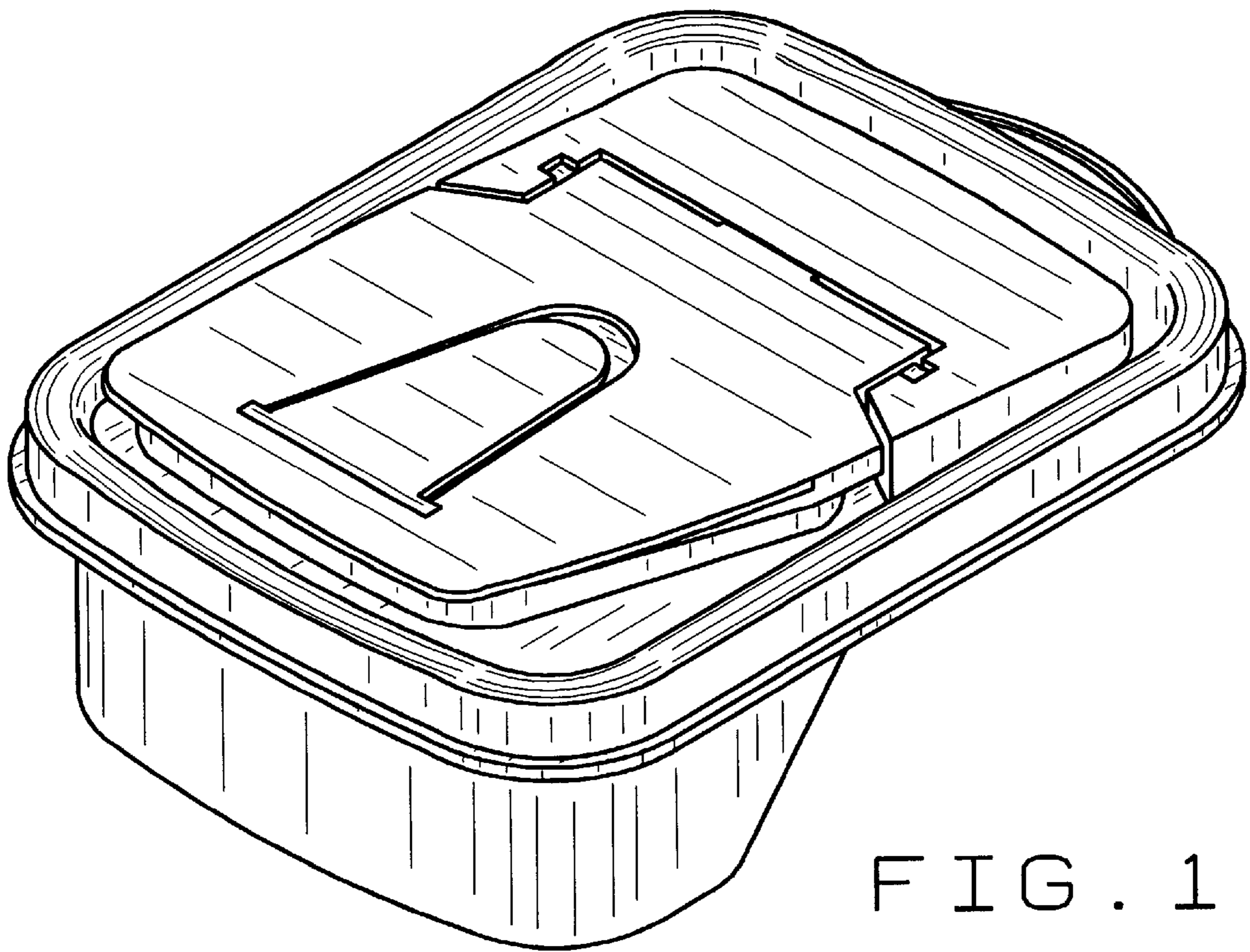


FIG. 1

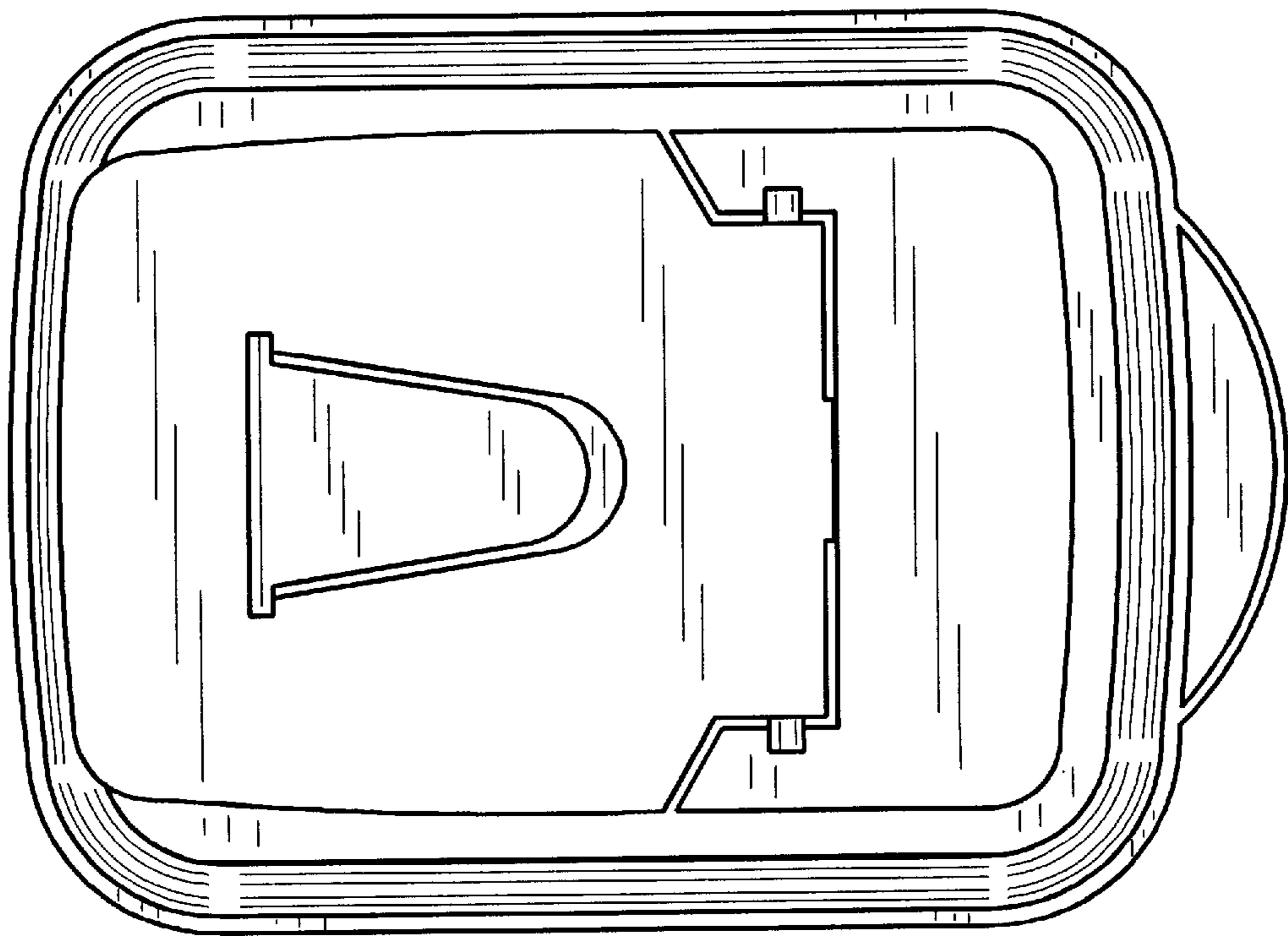


FIG. 2

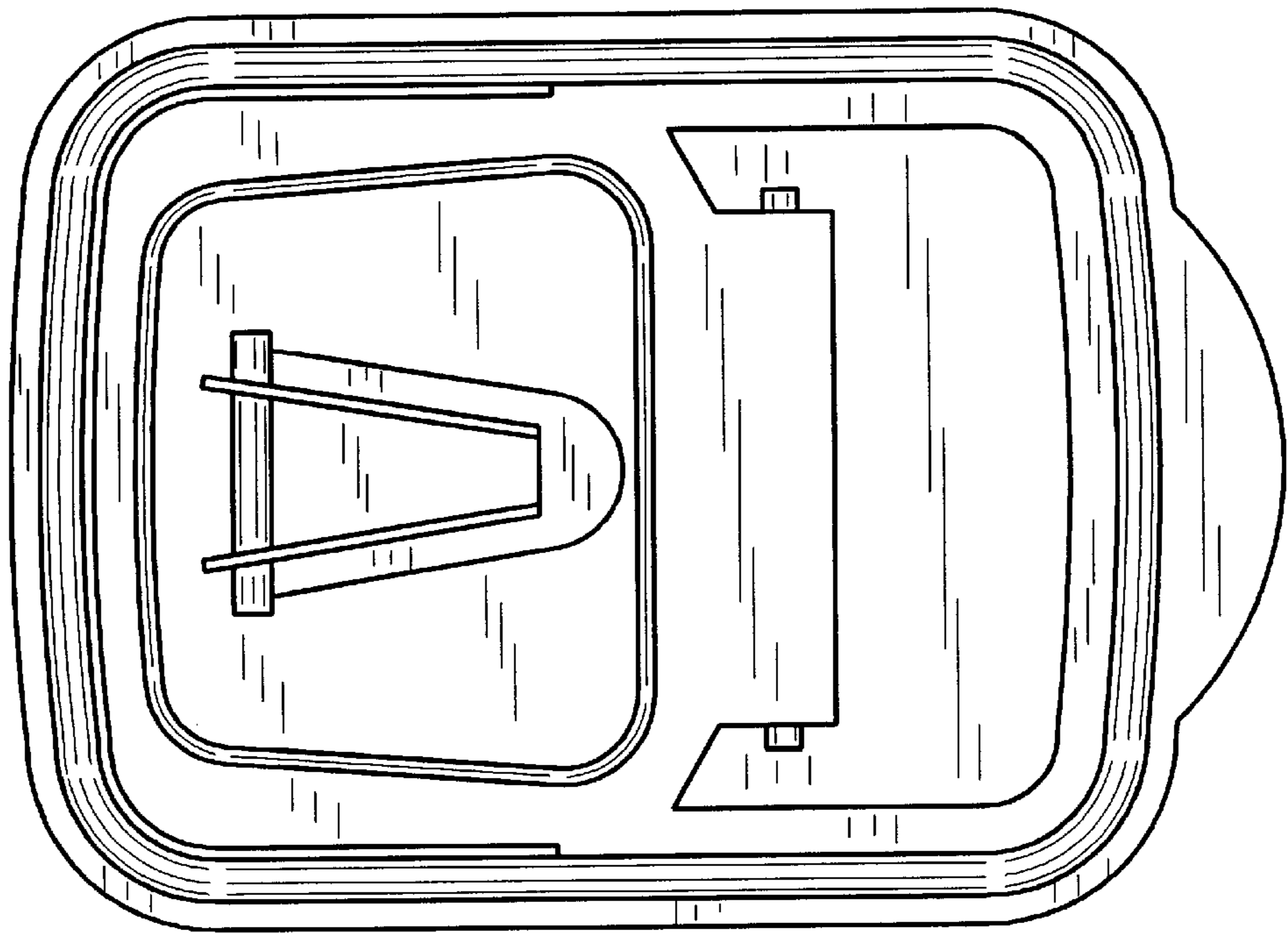


FIG. 3

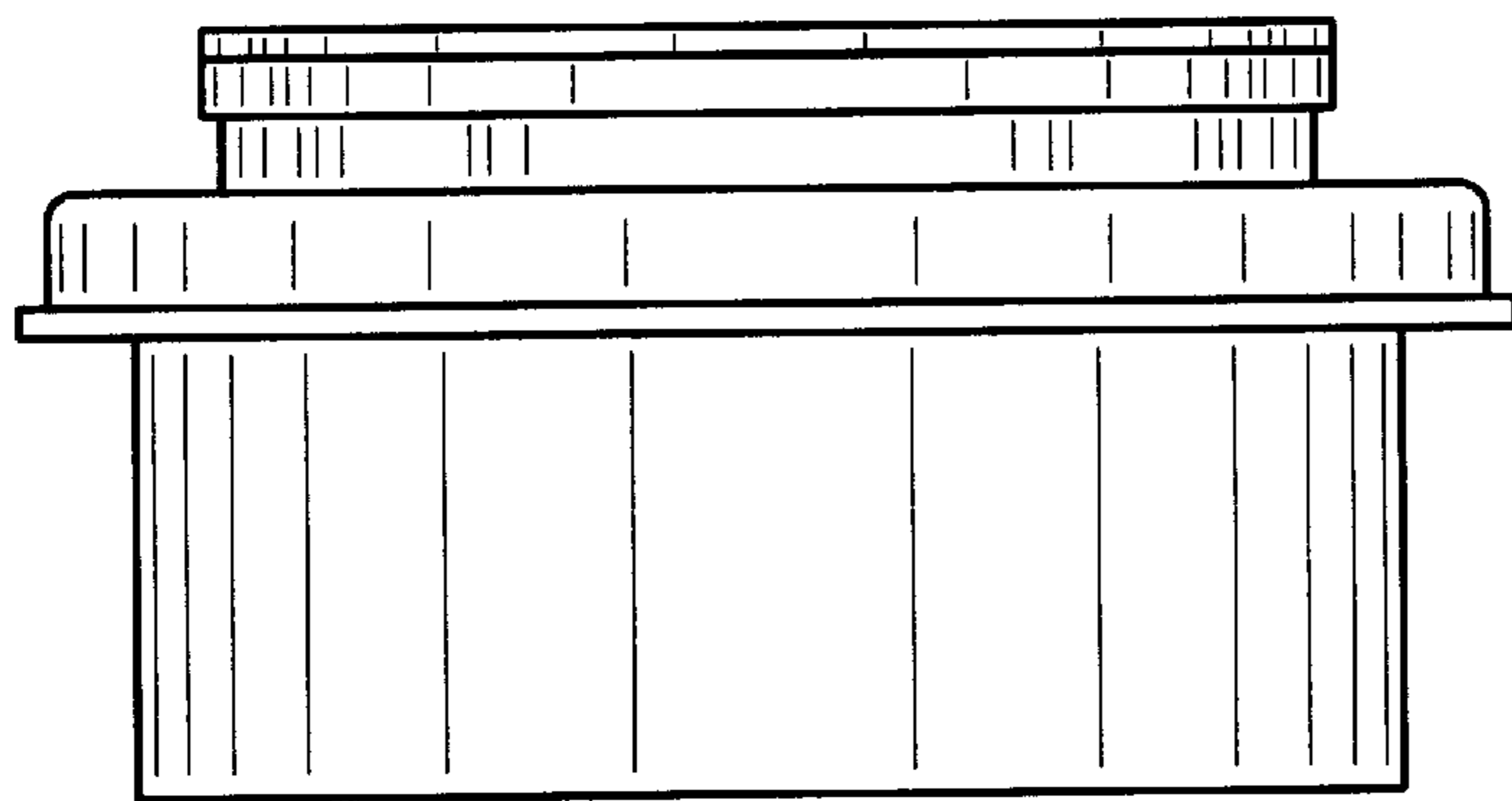


FIG. 4

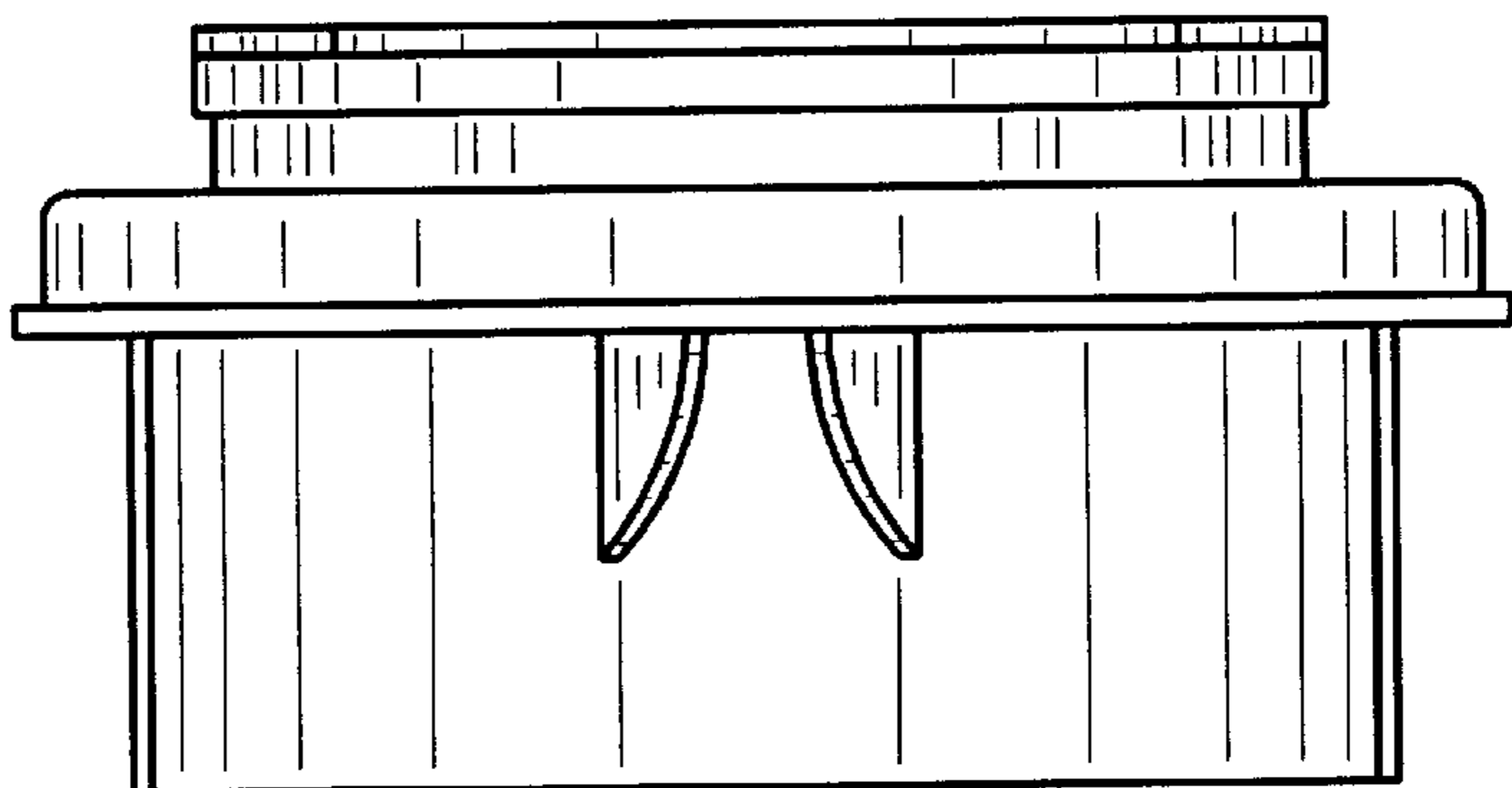


FIG. 5

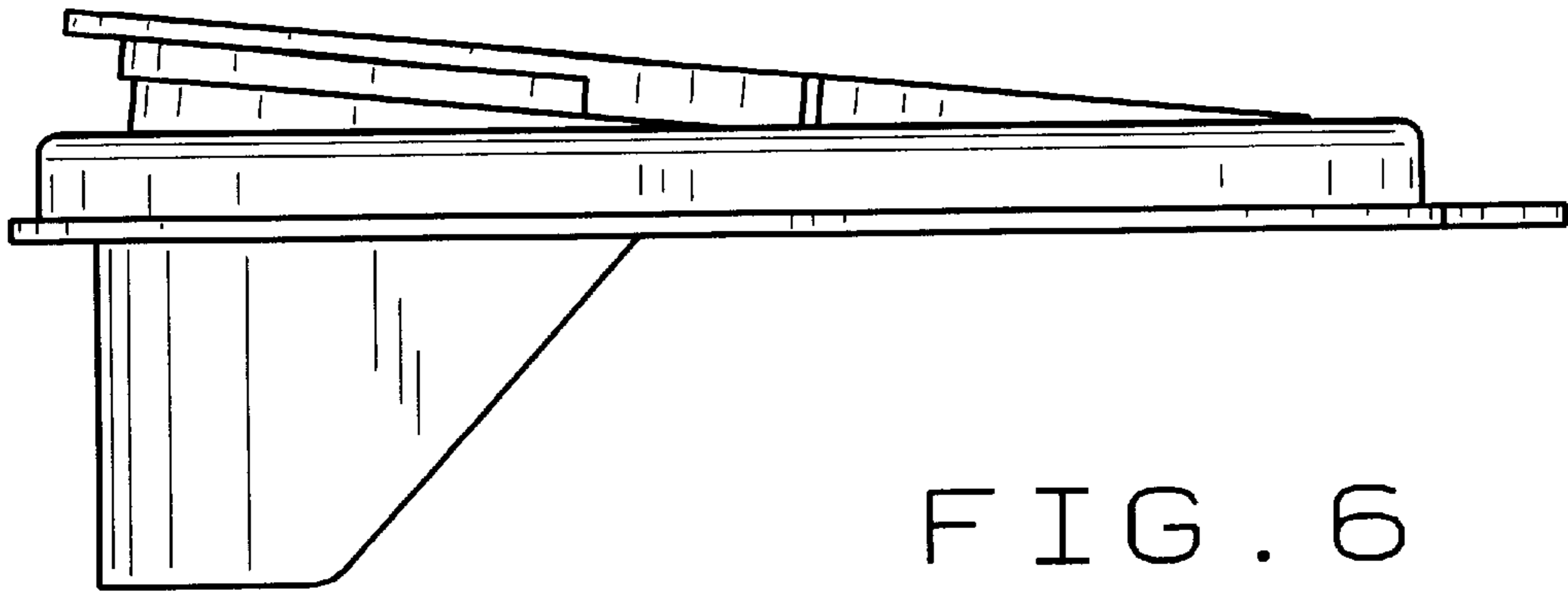


FIG. 6

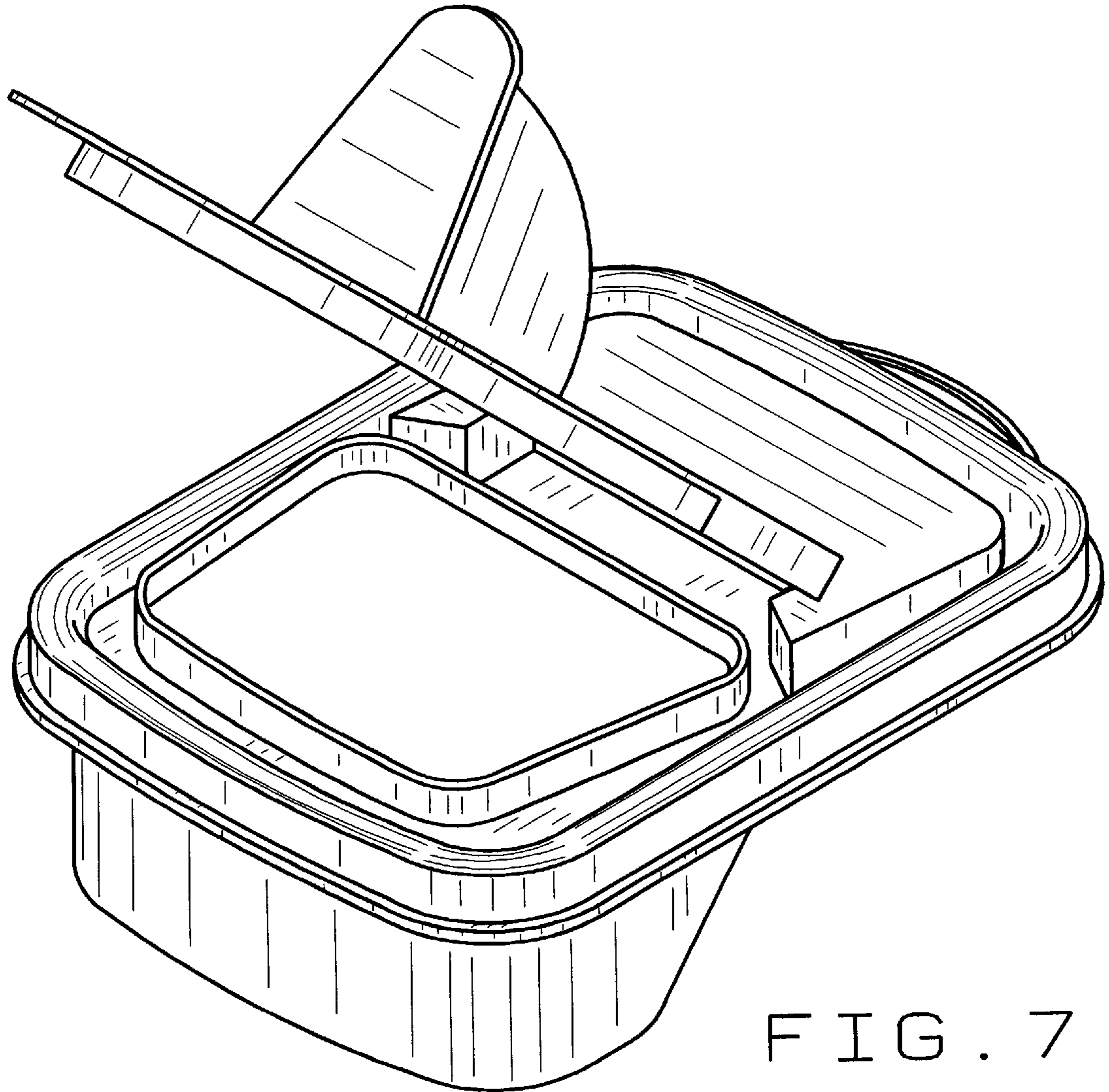


FIG. 7