



US00D412258S

**United States Patent** [19]  
**Helmsderfer et al.**

[11] **Patent Number: Des. 412,258**  
[45] **Date of Patent: \*\* Jul. 27, 1999**

[54] **BABY DIAPER CHANGING STATION**

[76] Inventors: **John A. Helmsderfer**, 2151 Luray Ave., Cincinnati, Ohio 45206; **David Memke**, 226 Klotter Ave., Cincinnati, Ohio 45219

[\*\*] Term: **14 Years**

[21] Appl. No.: **29/087,840**

[22] Filed: **May 11, 1998**

D. 293,403 12/1987 Umanoff et al. .  
D. 293,404 12/1987 Murphy .  
D. 294,096 2/1988 Murphy .  
D. 295,007 4/1988 Hardy et al. .

(List continued on next page.)

*Primary Examiner*—Brian N. Vinson  
*Attorney, Agent, or Firm*—Wood, Herron & Evans, LLP

**Related U.S. Application Data**

[63] Continuation of application No. 09/039,996, Mar. 17, 1998.

[51] **LOC (6) Cl.** ..... **08-08**

[52] **U.S. Cl.** ..... **D6/555**

[58] **Field of Search** ..... D6/555, 574, 553,  
D6/559, 567; 312/114, 126, 128, 129, 204,  
224, 231, 234, 242, 245; 211/14, 34, 35,  
69.1, 70.6, 70.7, 90; 108/42

**References Cited**

**U.S. PATENT DOCUMENTS**

- D. 179,871 3/1957 Wrablica, Jr. .
- D. 243,048 1/1977 Touchett et al. .
- D. 243,213 2/1977 Kormos .
- D. 248,805 8/1978 Bridges .
- D. 249,991 10/1978 Bridges .
- D. 250,800 1/1979 Trossman .
- D. 251,039 2/1979 Reppas .
- D. 255,734 7/1980 Liebman .
- D. 260,827 9/1981 Sommer .
- D. 263,532 3/1982 Ferdinand et al. .
- D. 265,703 8/1982 Zaro .
- D. 267,843 2/1983 Sundberg .
- D. 272,402 1/1984 Marrujo .
- D. 274,105 6/1984 Brescia et al. .
- D. 277,819 3/1985 Crosslen .
- D. 283,189 4/1986 Hampton .
- D. 284,530 7/1986 Riehm .
- D. 284,531 7/1986 Riehm .
- D. 284,723 7/1986 Morris et al. .
- D. 287,200 12/1986 Gecchelin .
- D. 287,318 12/1986 Garduno .

[57] **CLAIM**

The ornamental design for a baby diaper changing station, as shown and described.

**DESCRIPTION**

FIG. 1 is a perspective view of a baby diaper changing station with a platform in an opened position on a wall and incorporating the new design of the invention, shown in full lines, with the broken lines illustrating the environment of the design;

FIG. 2 is a front view thereof with the platform in an opened position;

FIG. 3 is a left side view thereof with the platform in an opened position, with the right side view being a mirror image of FIG. 3;

FIG. 4 is a rear view thereof with the platform in an opened position;

FIG. 5 is a top view thereof with the platform in an opened position;

FIG. 6 is a bottom view thereof with the platform in an opened position;

FIG. 7 is a perspective view thereof with the platform in a closed position.

FIG. 8 is a front view thereof with the platform in a closed position;

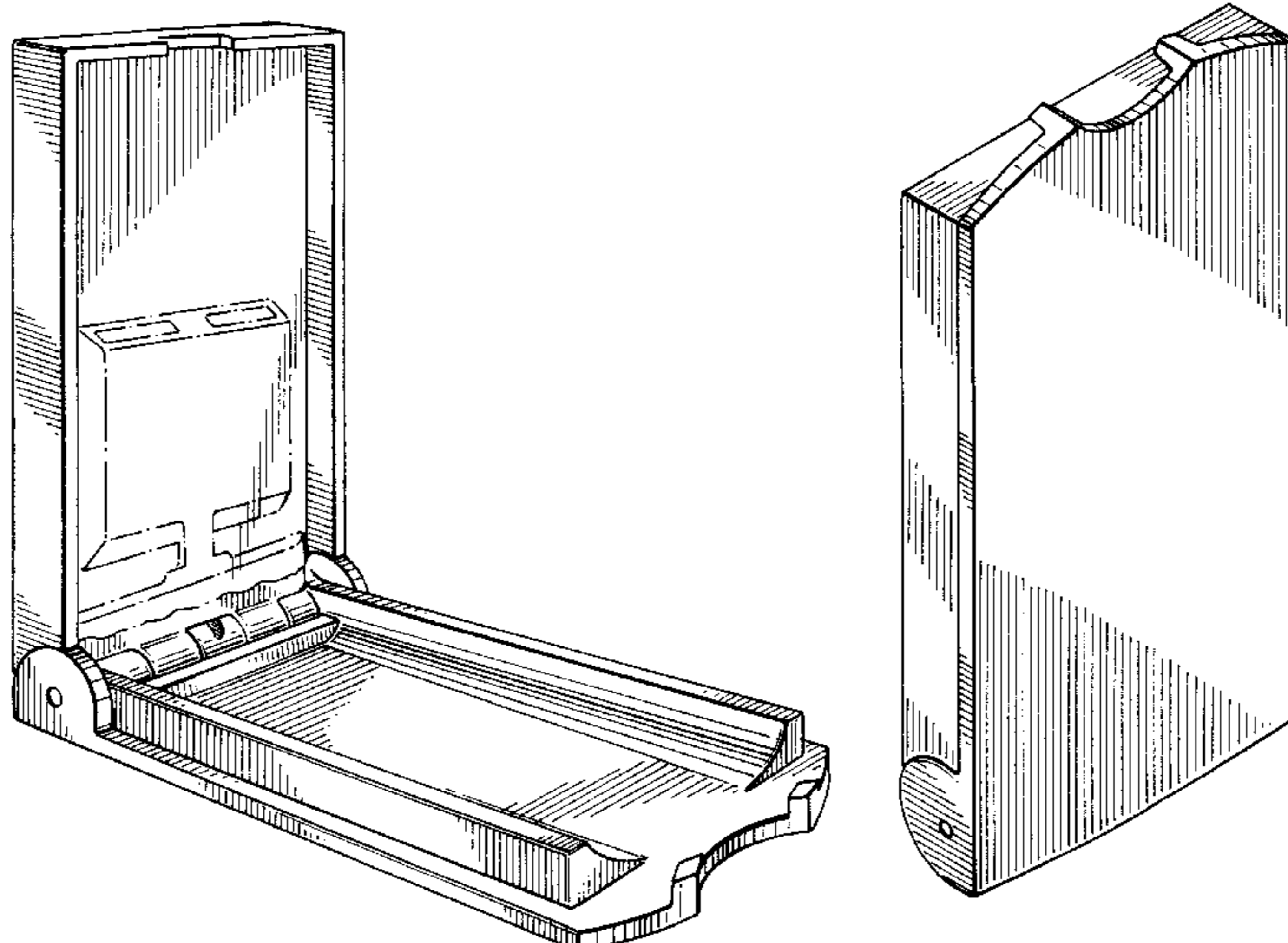
FIG. 9 is a left side view thereof with the platform in an closed position with the right side view being a mirror image of FIG. 9.

FIG. 10 is a top view thereof with the platform in a closed position;

FIG. 11 is a top view thereof with the platform in a closed position; and,

FIG. 12 is a bottom view thereof with the platform in a closed position.

**1 Claim, 4 Drawing Sheets**



U.S. PATENT DOCUMENTS

D. 299,687	2/1989	Handler et al. .	D. 391,794	3/1998	Helmsderfer .	
D. 302,088	7/1989	Burt .	D. 397,893	9/1998	Helmsderfer .....	D6/555
D. 302,772	8/1989	Friedman .	2,174,363	9/1939	Eubank .	
D. 312,185	11/1990	Prater, Sr. .	2,735,737	2/1956	Hancock .	
D. 313,516	1/1991	Socher .	3,656,193	4/1972	Schneider et al. .	
D. 314,112	1/1991	Dainty .	4,133,063	1/1979	Jones-Steele .	
D. 314,486	2/1991	Day .	4,205,669	6/1980	Hamann .	
D. 318,307	7/1991	Hahn et al. .	4,216,951	8/1980	Griffin .	
D. 322,531	12/1991	Hobson .	4,522,381	6/1985	Ludwick .	
D. 325,826	5/1992	Brunner et al. .	4,613,996	9/1986	Chase et al. .	
D. 326,384	5/1992	Burt et al. .	4,712,258	12/1987	Eves .	
D. 327,786	7/1992	Ferrell .	4,723,493	2/1988	Siani et al. .	
D. 329,950	10/1992	Takahashi et al. .	4,788,726	12/1988	Rafalko .	
D. 332,197	1/1993	Chase .	4,796,314	1/1989	Garduno .	
D. 333,389	2/1993	Saito et al. .	4,965,896	10/1990	Berger et al. .	
D. 333,923	3/1993	Dainty .	4,972,532	11/1990	Juan .	
D. 338,110	8/1993	Peay .	5,081,724	1/1992	Takahashi et al. .	
D. 344,869	3/1994	Paradis et al. .	5,265,296	11/1993	Abbas et al. .	
D. 378,966	4/1997	Helmsderfer .	5,754,999	5/1998	Helmsderfer .....	108/42 X
			5,802,647	9/1998	Helmsderfer .....	108/42 X

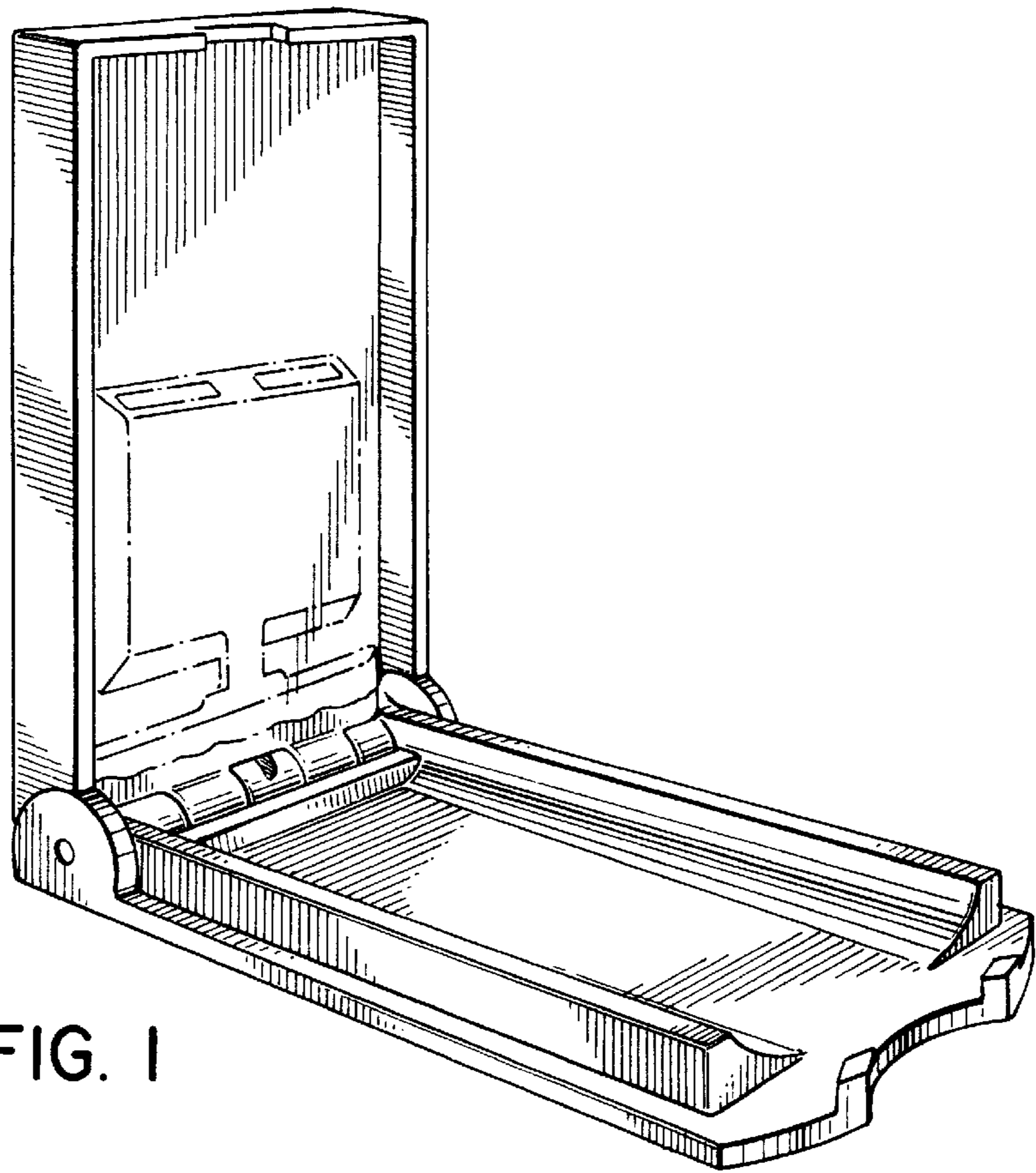


FIG. 1

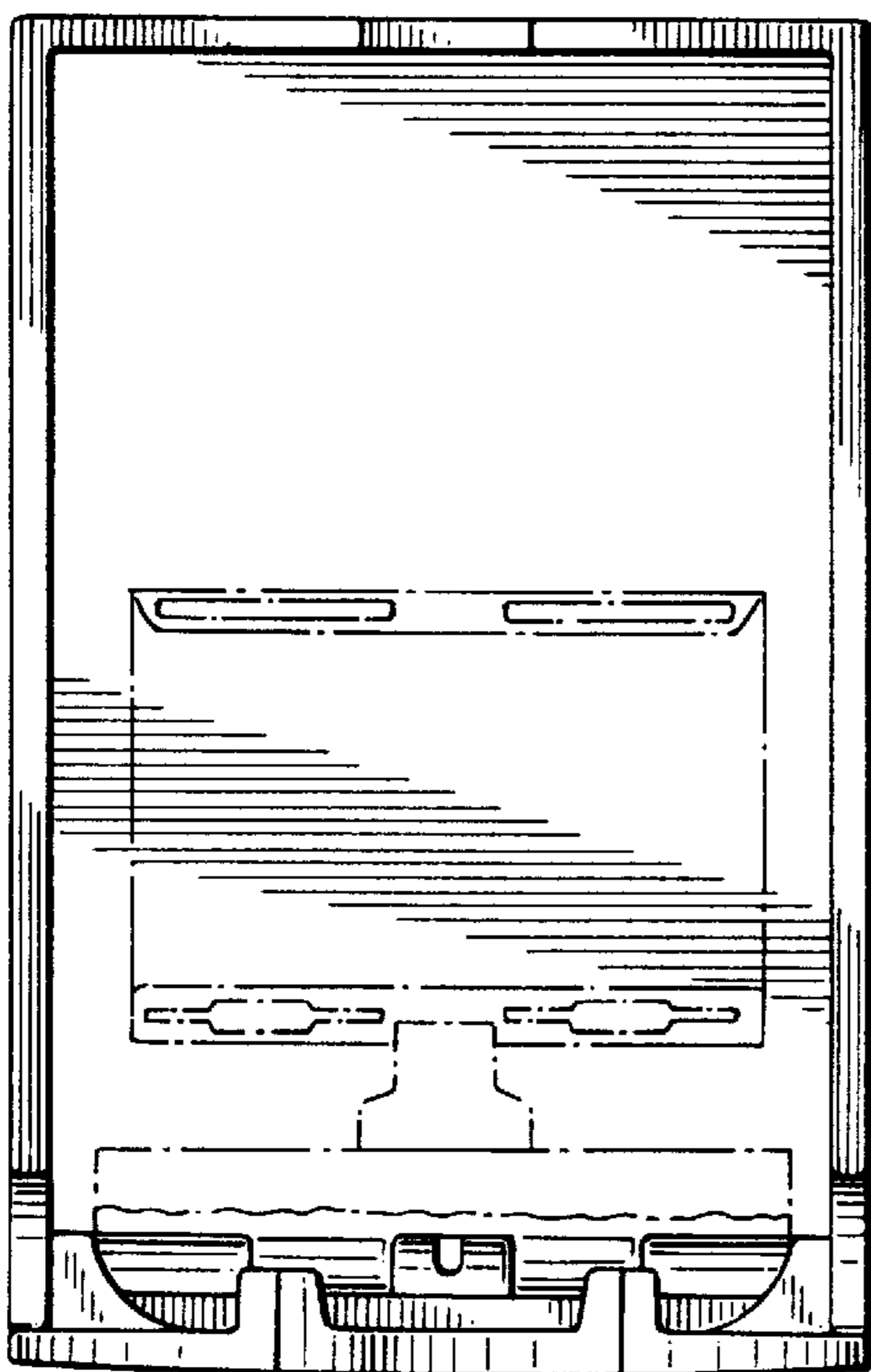


FIG. 2

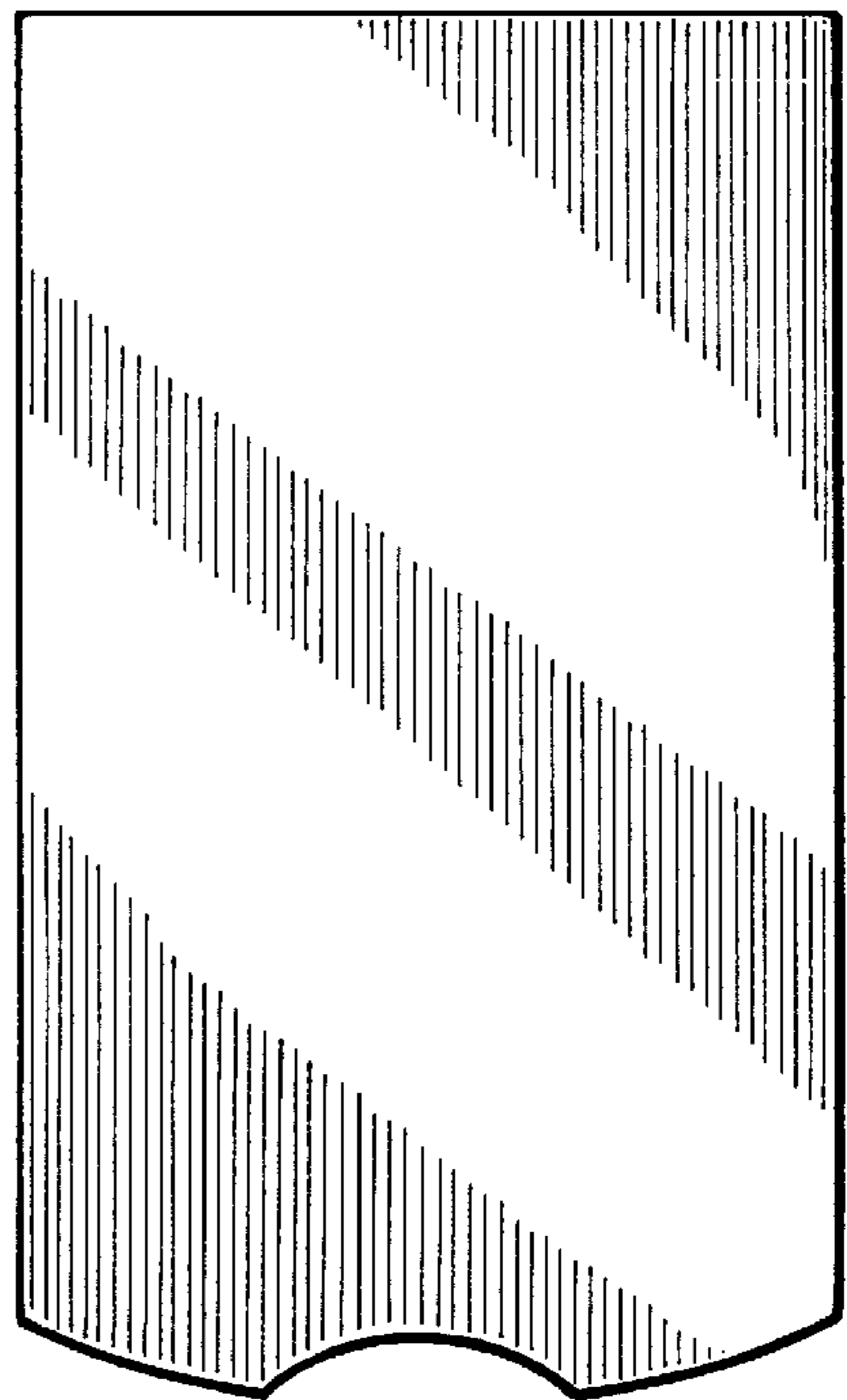


FIG. 6

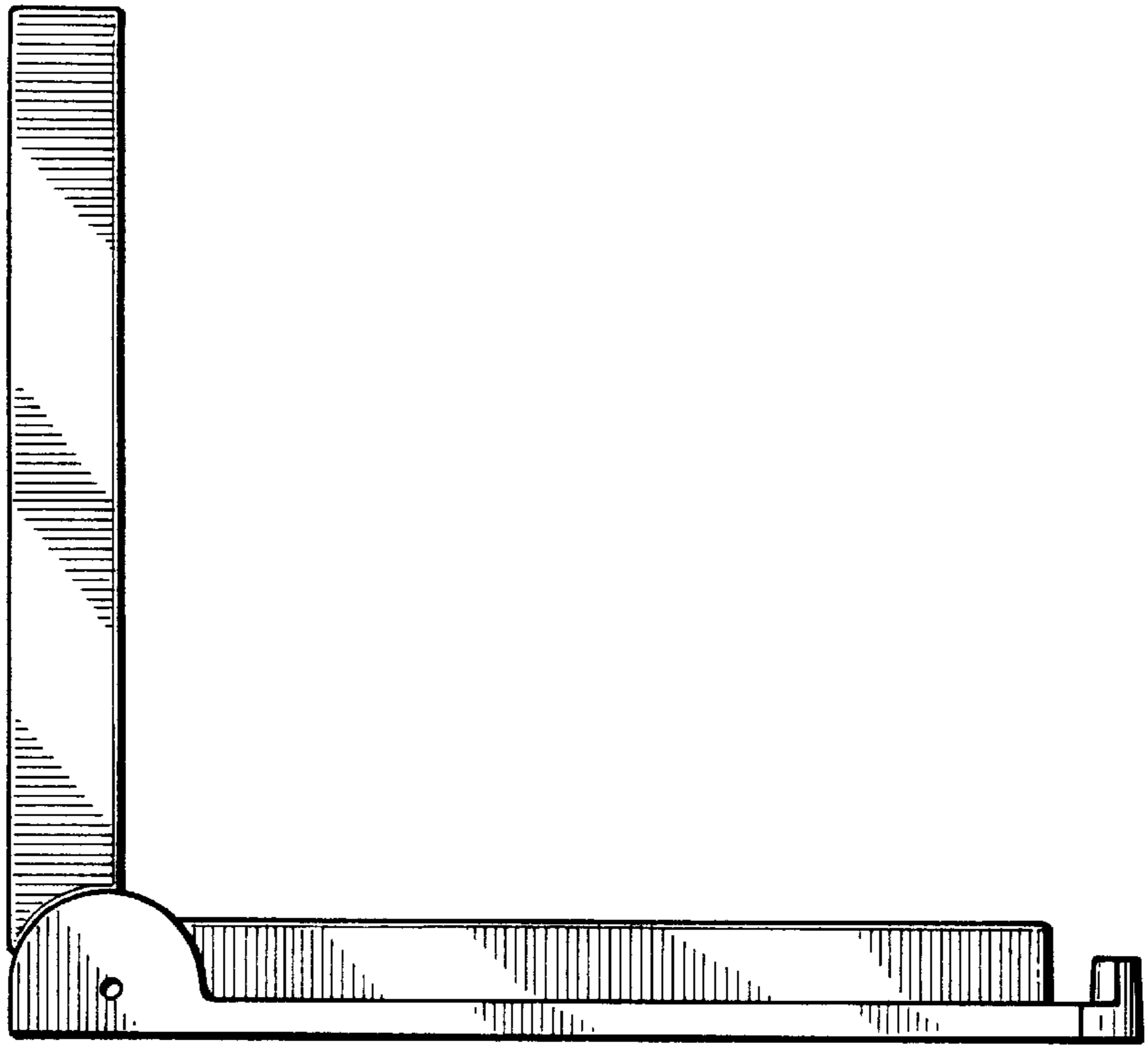


FIG. 3

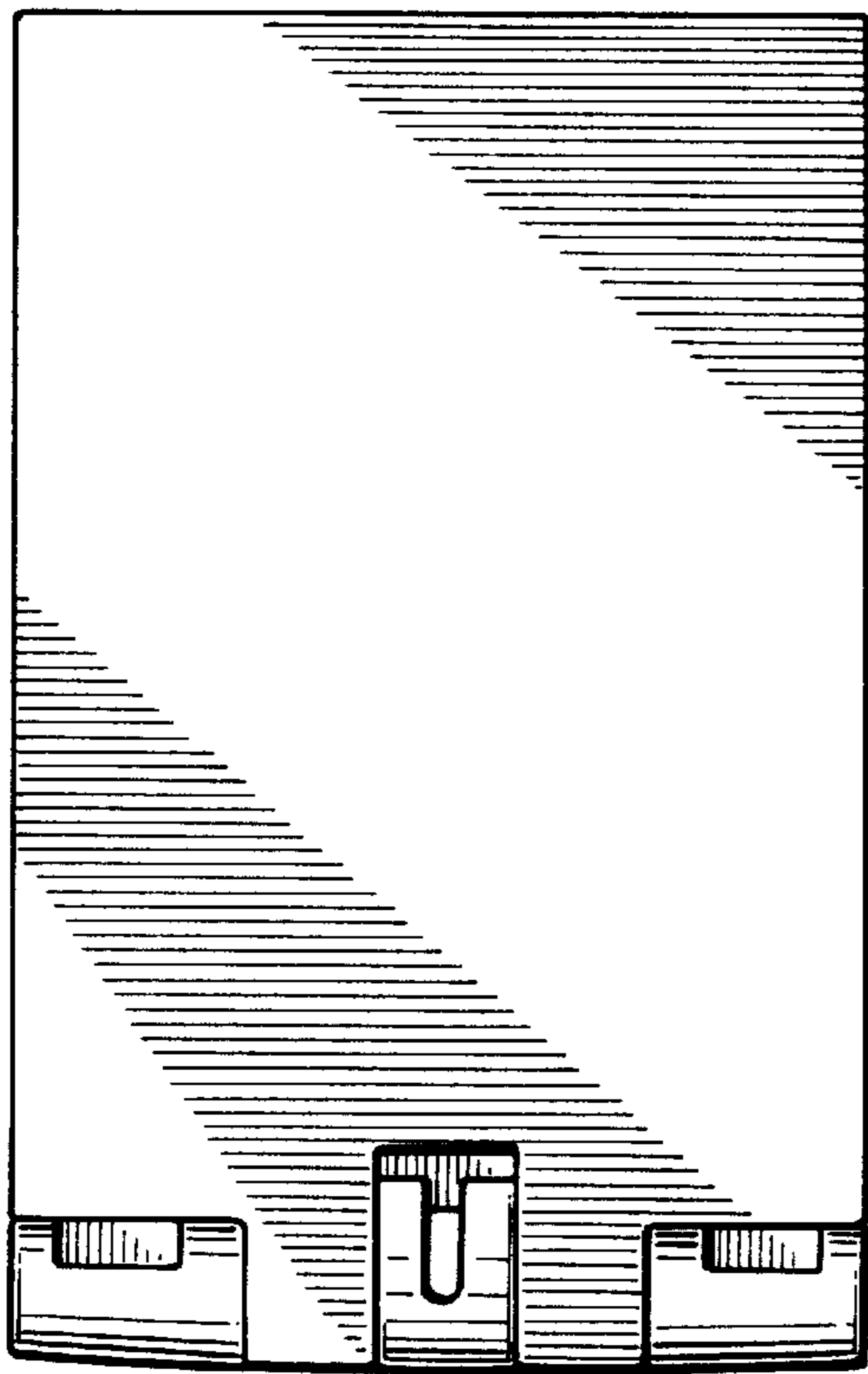


FIG. 4

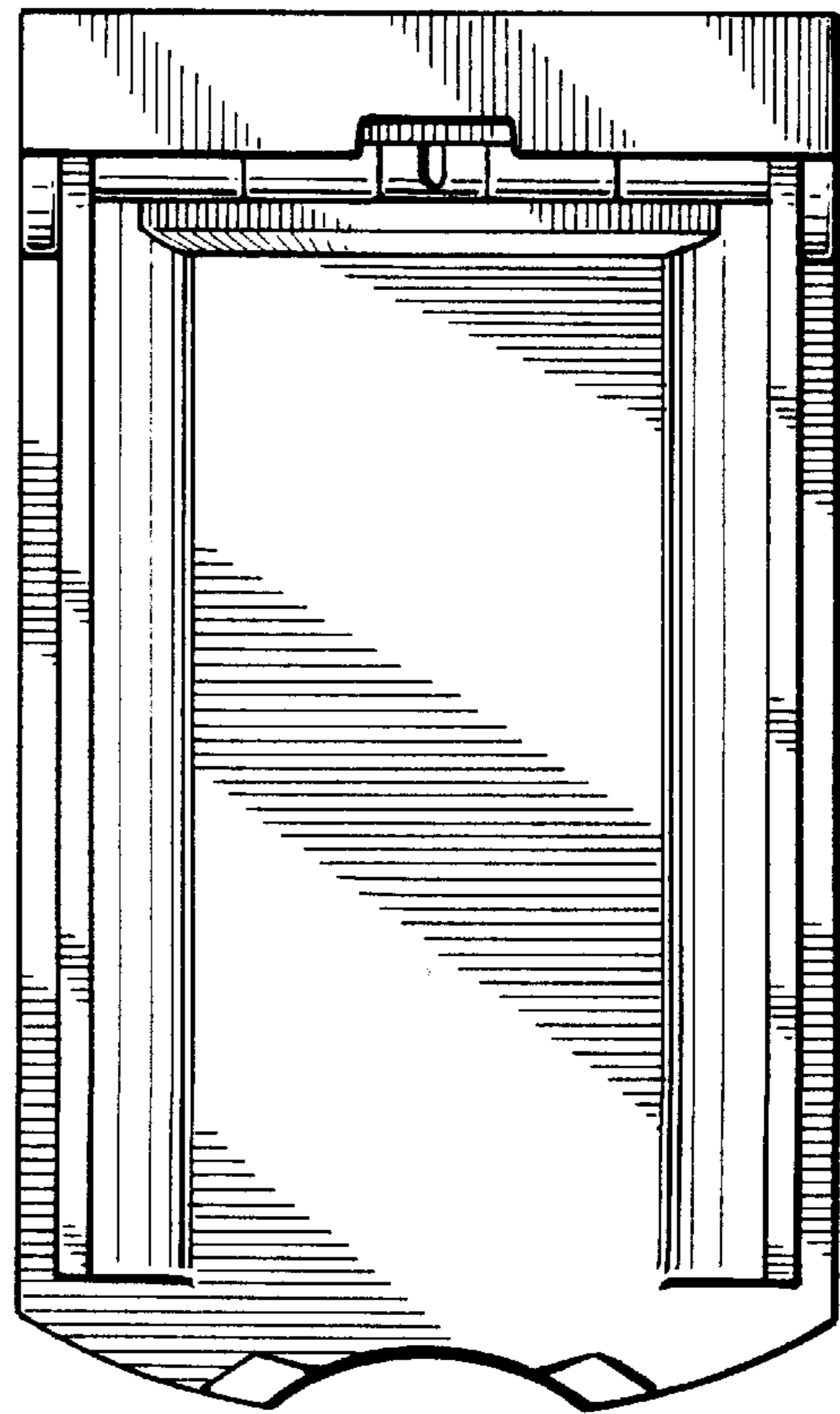


FIG. 5

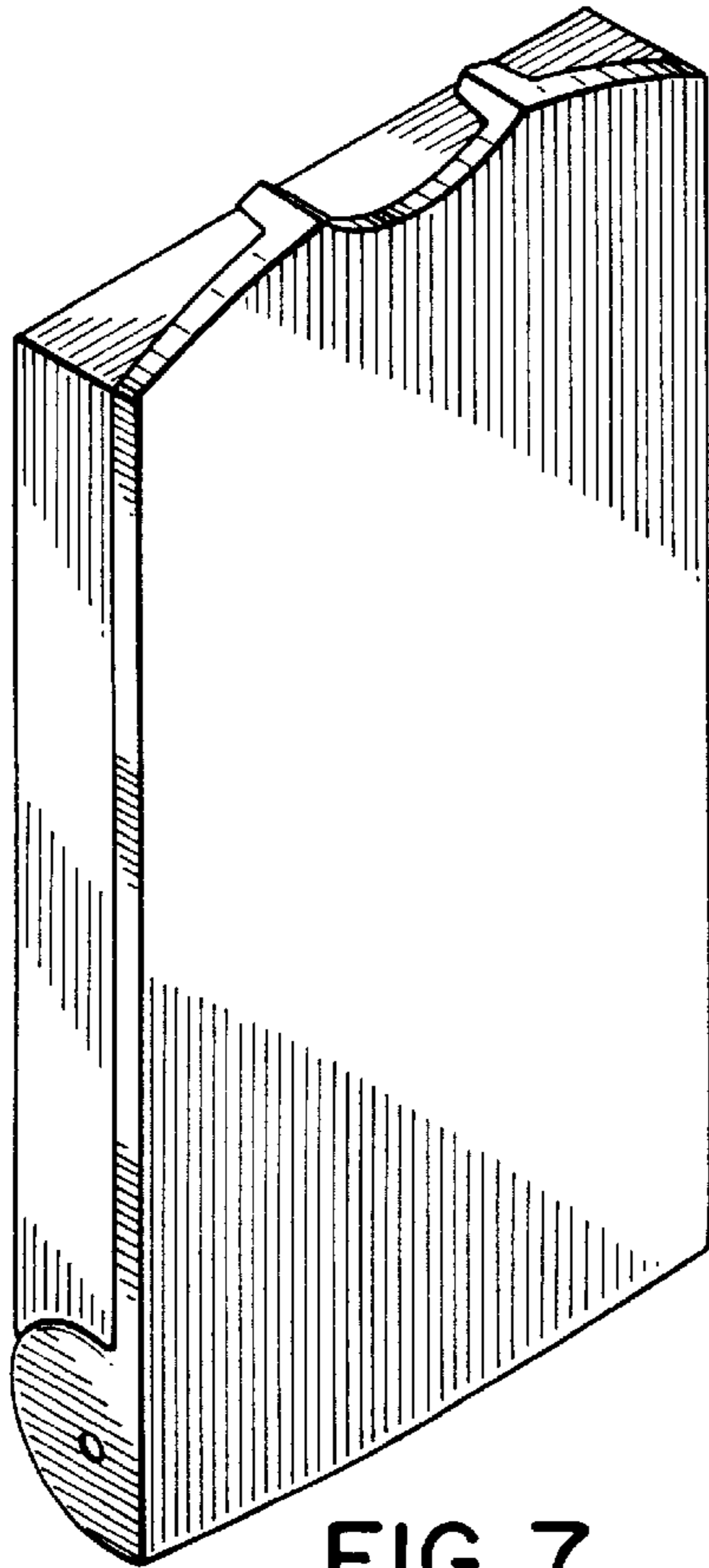


FIG. 7

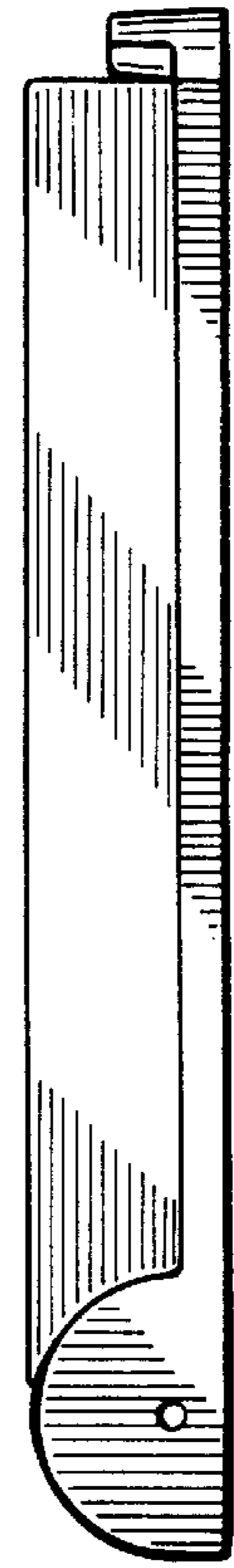


FIG. 9

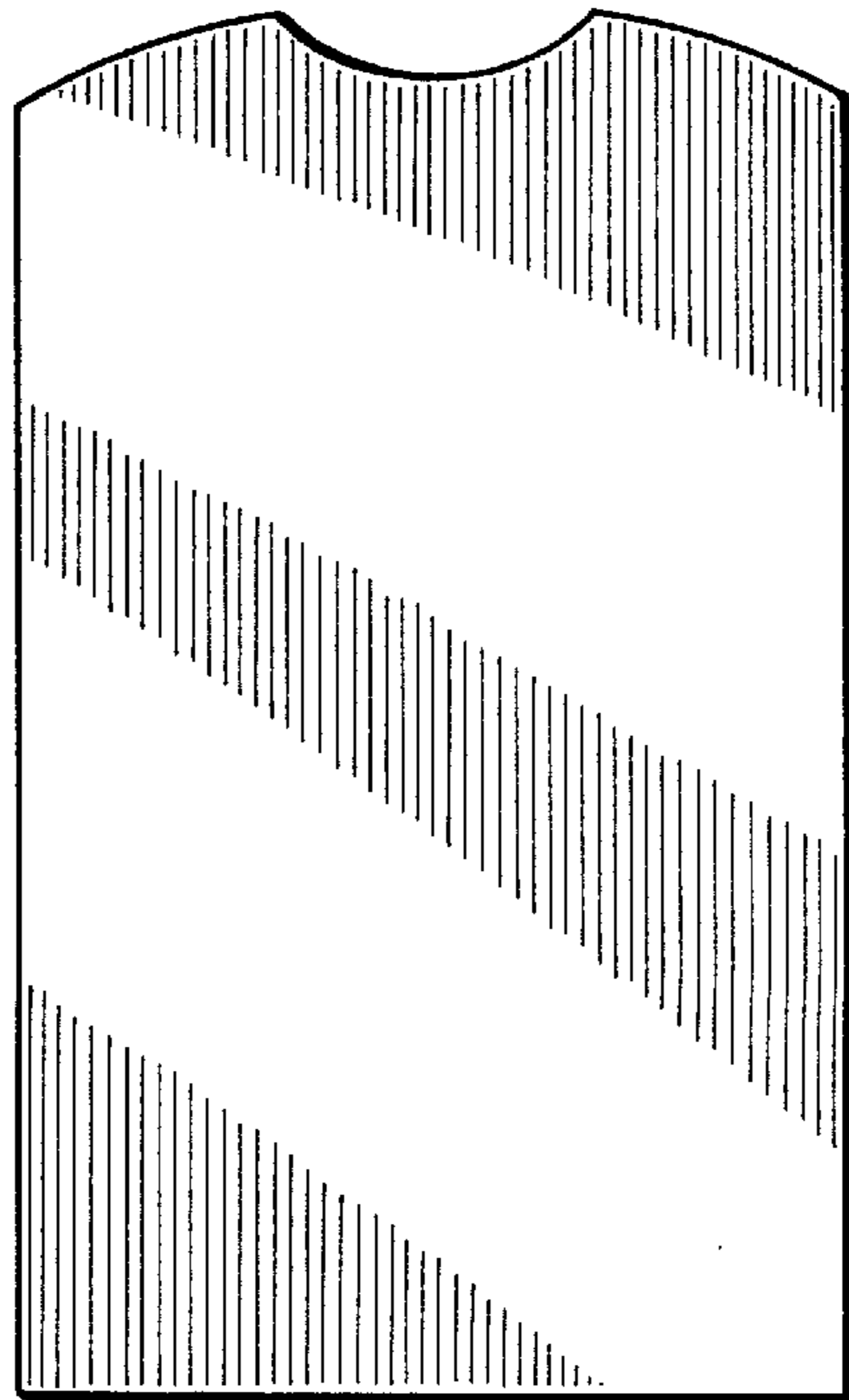


FIG. 8

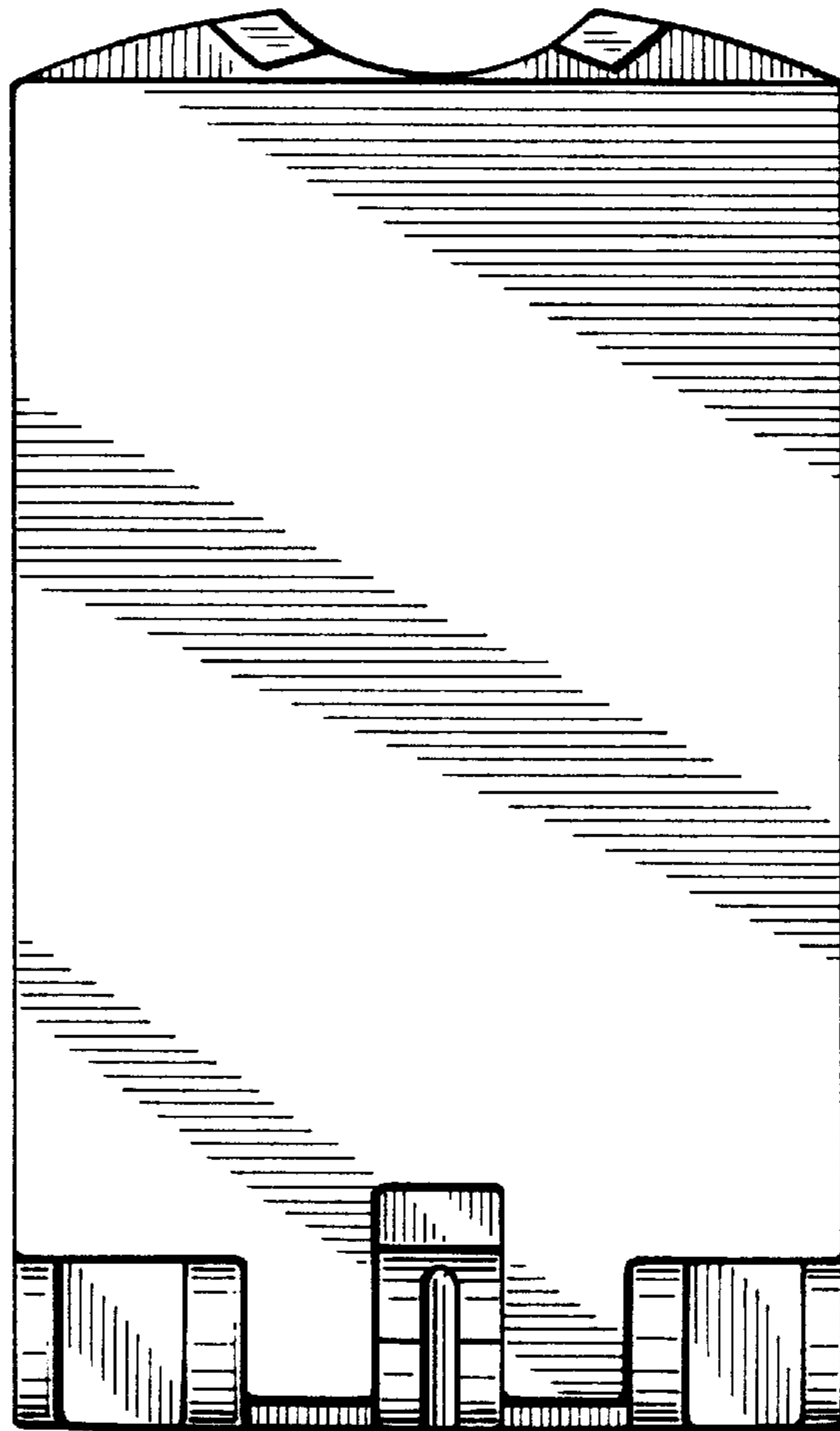


FIG. 10



FIG. 11

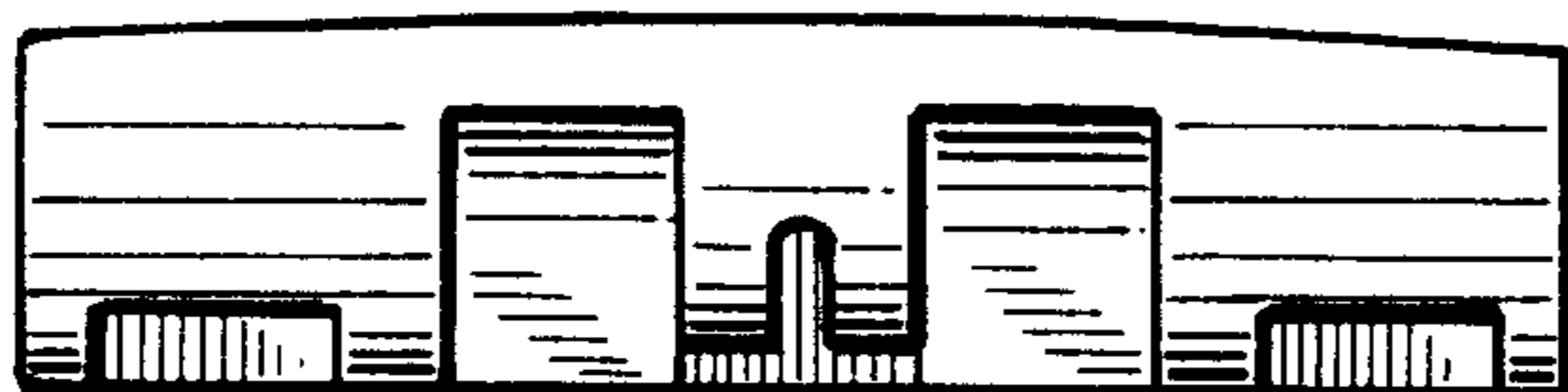


FIG. 12