



US00D412256S

# United States Patent [19] Gutgsell

[11] **Patent Number: Des. 412,256**

[45] **Date of Patent: \*\* Jul. 27, 1999**

[54] **PAIR OF TABLE LEG SUPPORTS**

[75] Inventor: **David R. Gutgsell, Jasper, Ind.**

[73] Assignee: **Ditto Sales, Inc., Jasper, Ind.**

[\*\*] Term: **14 Years**

[21] Appl. No.: **29/087,418**

[22] Filed: **May 1, 1998**

[51] **LOC (6) Cl. .... 06-06**

[52] **U.S. Cl. .... D6/495; D6/499**

[58] **Field of Search ..... D6/480-489, 495, D6/497, 498, 499, 422, 423; 108/153.1, 156, 161, 157.1; 248/188, 188.1, 188.7, 188.8**

[56] **References Cited**

**U.S. PATENT DOCUMENTS**

D. 319,935	9/1991	Heidmann	.....	D6/422
D. 320,320	10/1991	Ditshuizen	.....	D6/422
D. 330,299	10/1992	Saotome	.....	D6/429
D. 379,127	5/1997	Schacht	.....	D6/495
3,625,462	12/1971	Jordan	.....	248/188.8

*Primary Examiner*—Janice E. Seeger

*Attorney, Agent, or Firm*—Beck Michael & Beck, P.C.

[57] **CLAIM**

The ornamental design for a pair of table leg supports, as shown and described.

**DESCRIPTION**

FIG. 1 is perspective view of a pair of table leg supports, showing my new design, the broken lines are for environmental purposes only and form no part of the claimed design;

FIG. 2 is an end elevational view thereof;

FIG. 3 is an elevational view showing the inside of the legs;

FIG. 4 is a side elevational view, the opposite side being identical thereto;

FIG. 5 is a top plan view thereof;

FIG. 6 is a bottom plan view thereof;

FIG. 7 is an end elevational view, showing an alternate embodiment of my new design;

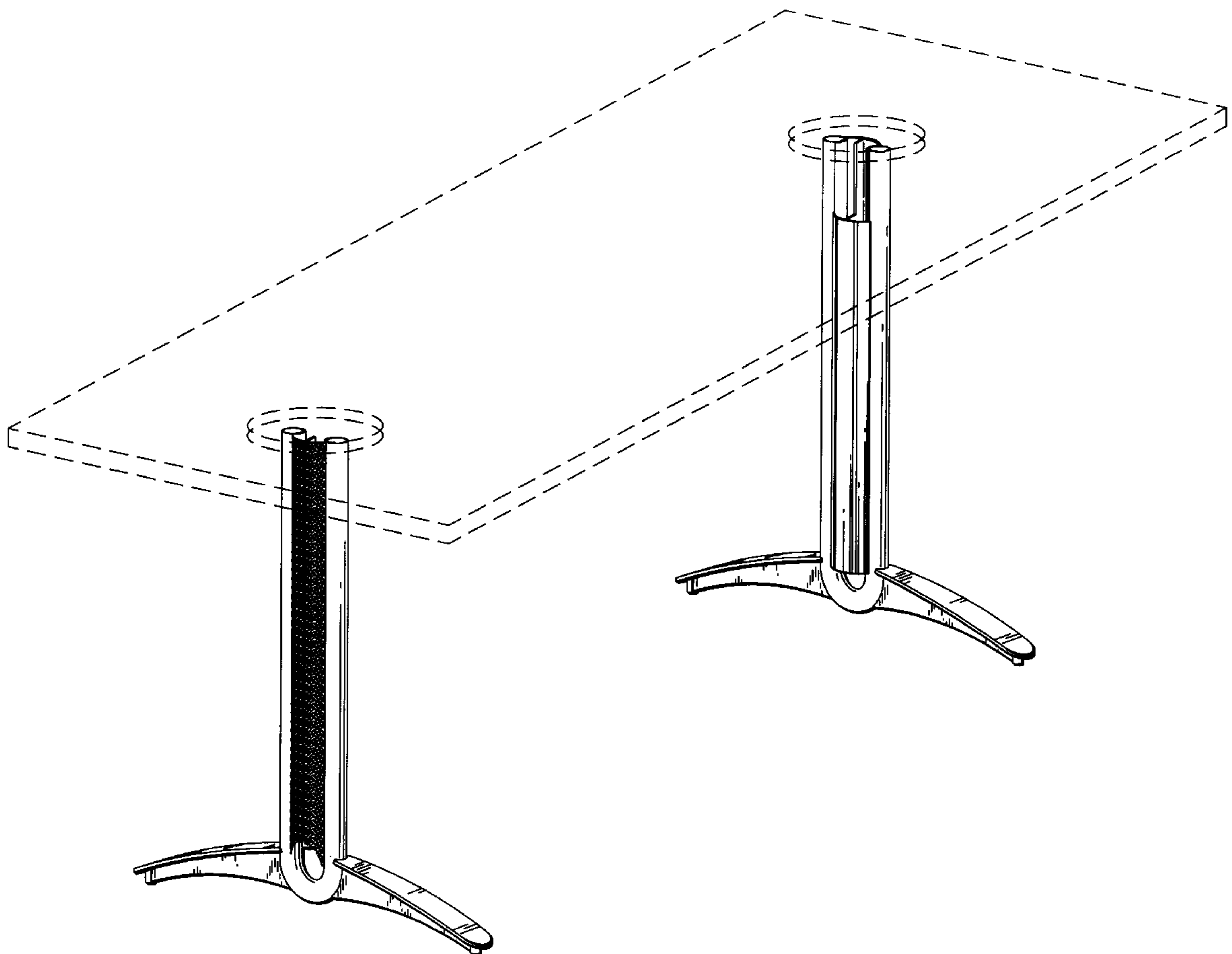
FIG. 8 is a bottom plan view thereof;

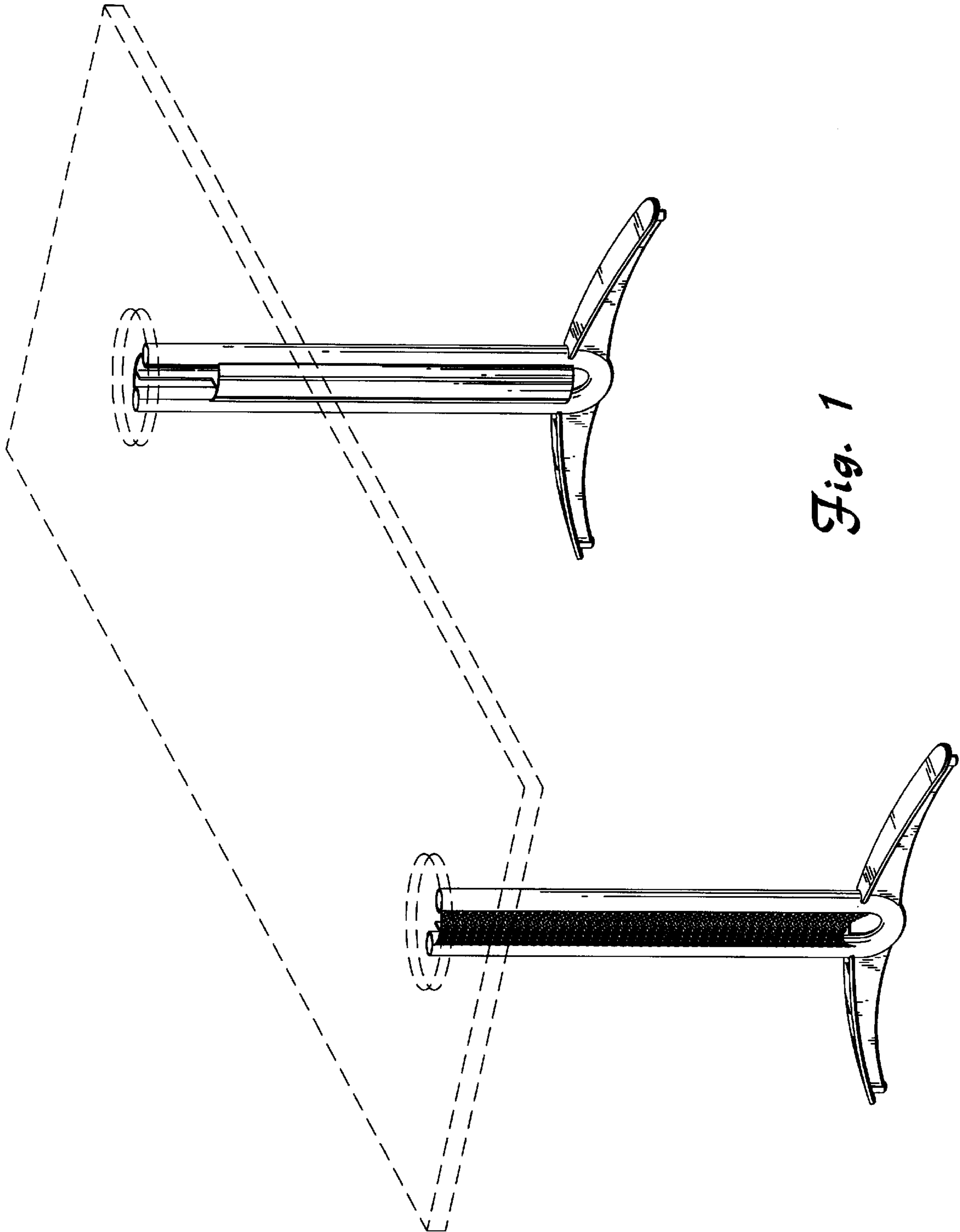
FIG. 9 is a an elevational view, showing the inside of the legs;

FIG. 10 is a top plan view thereof; and,

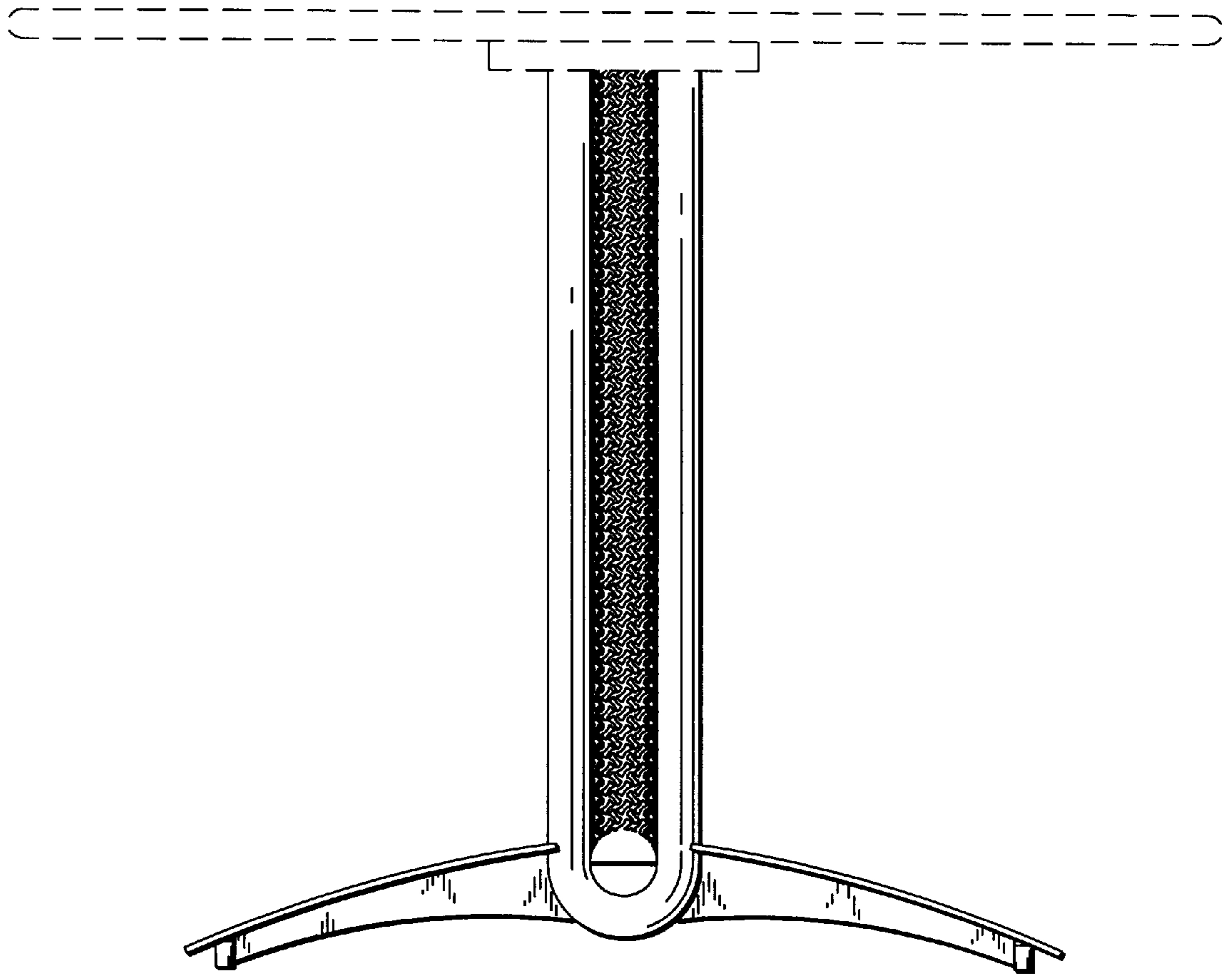
FIG. 11 is a enlarged fragmentary view showing the central mesh feature in greater detail.

**1 Claim, 11 Drawing Sheets**

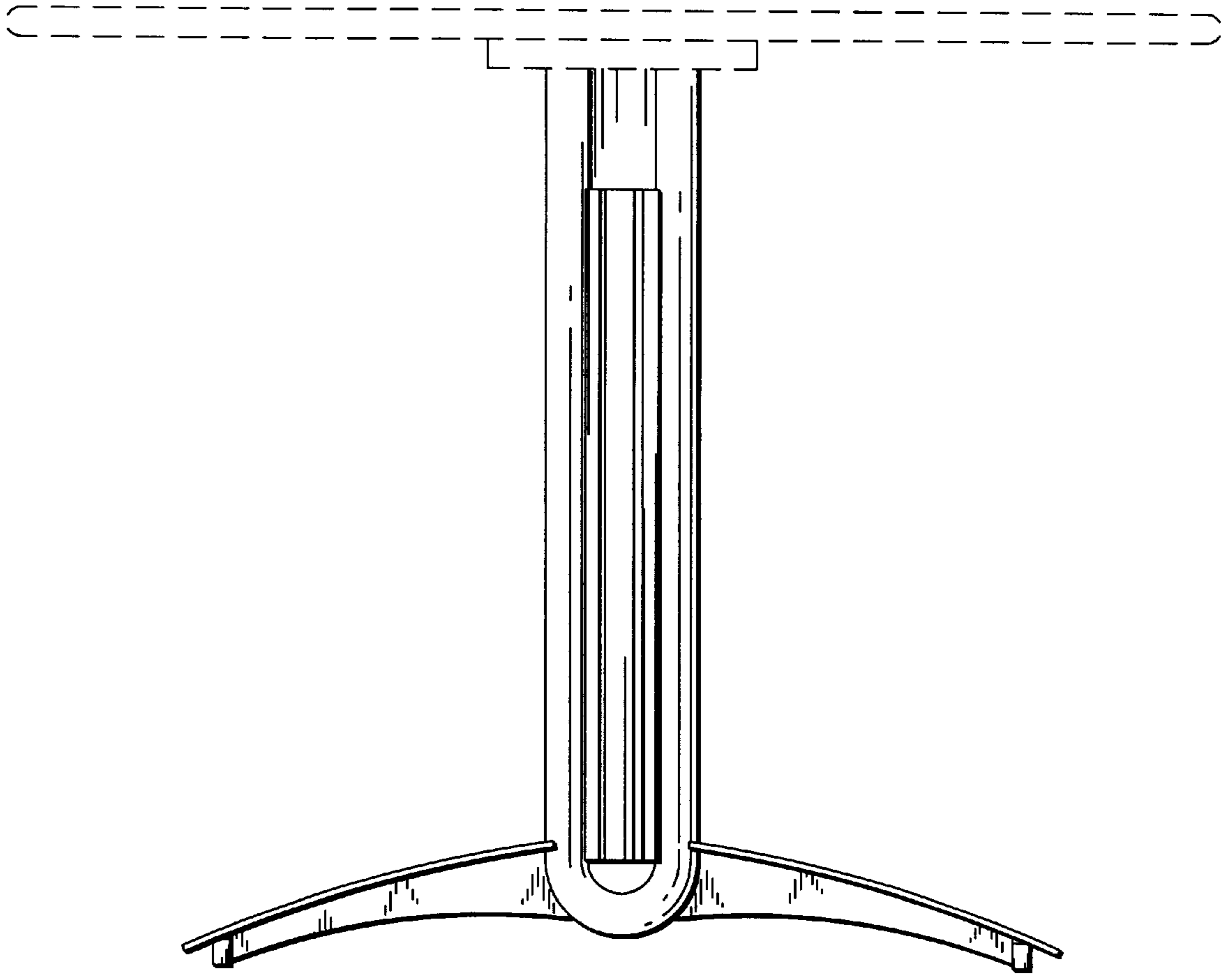




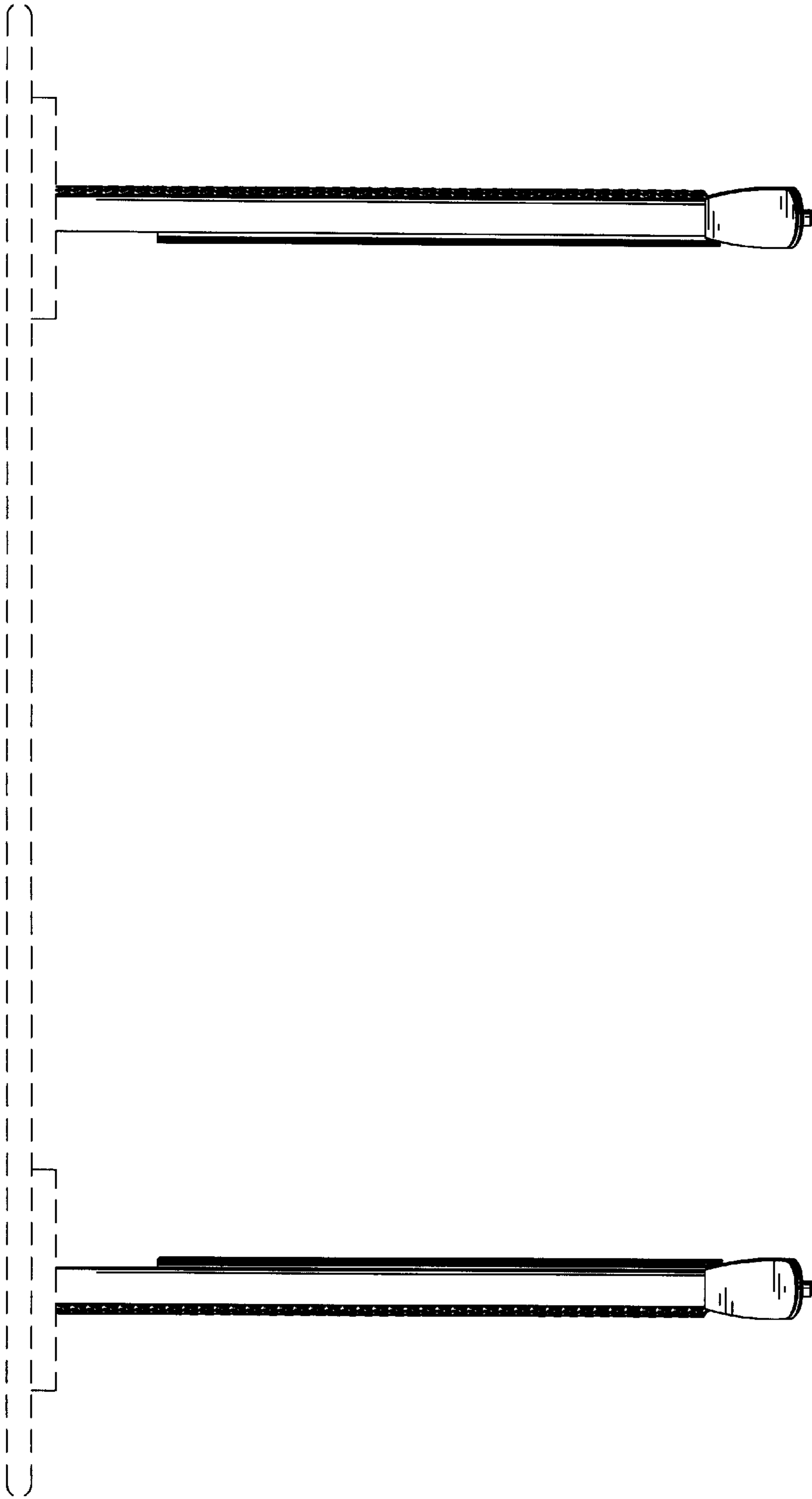
*Fig. 1*



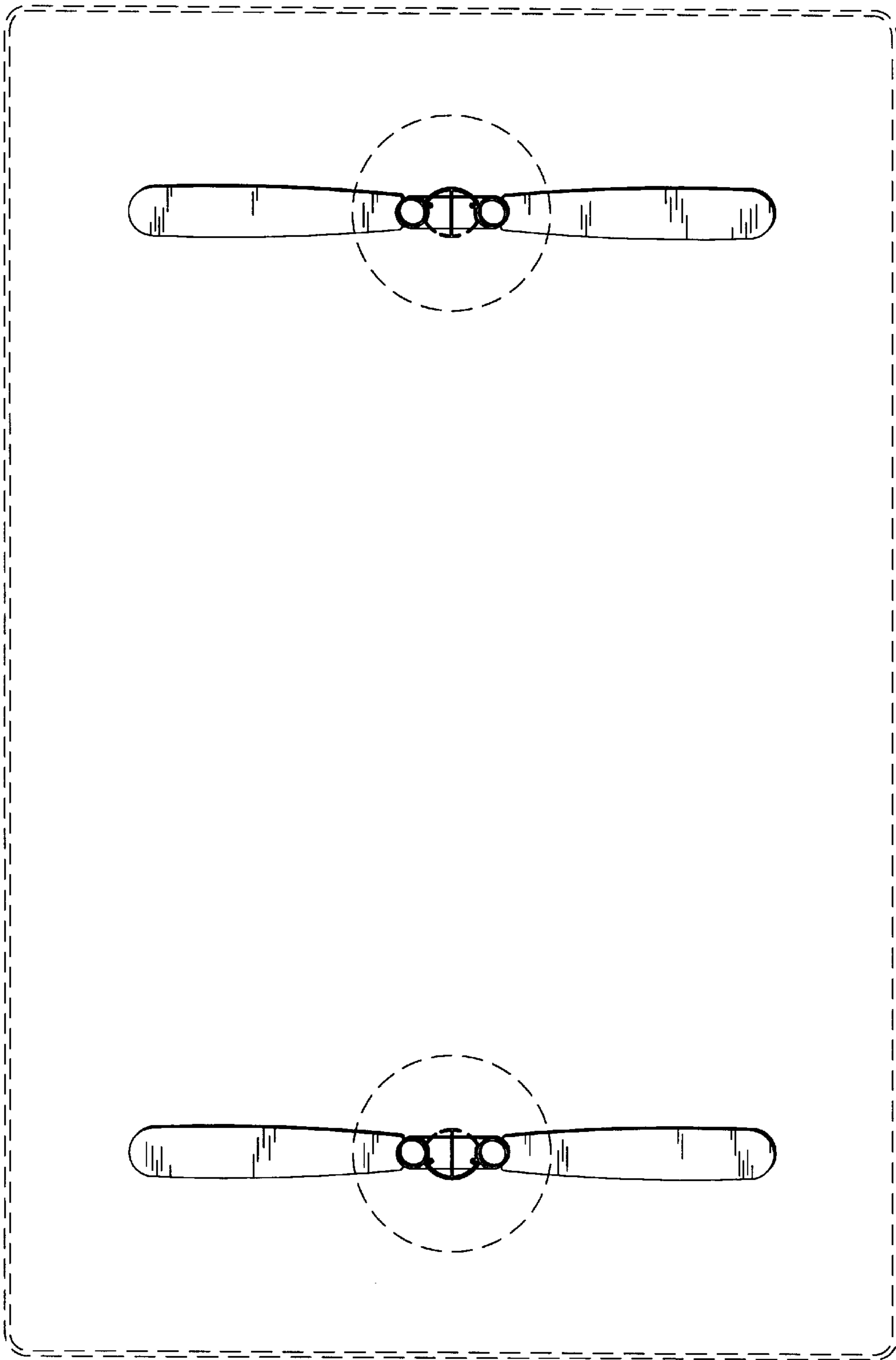
*Fig. 2*



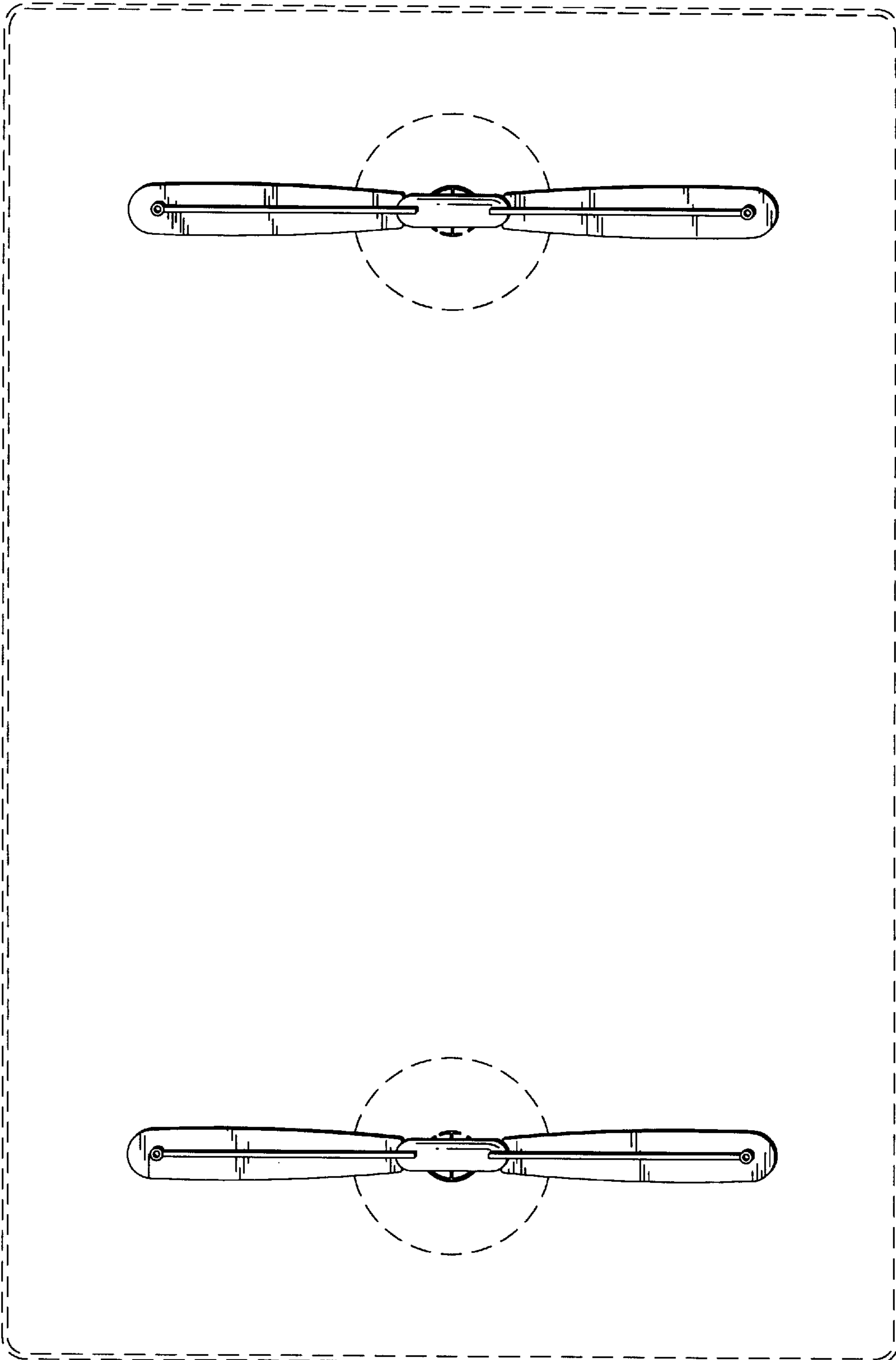
*Fig. 3*



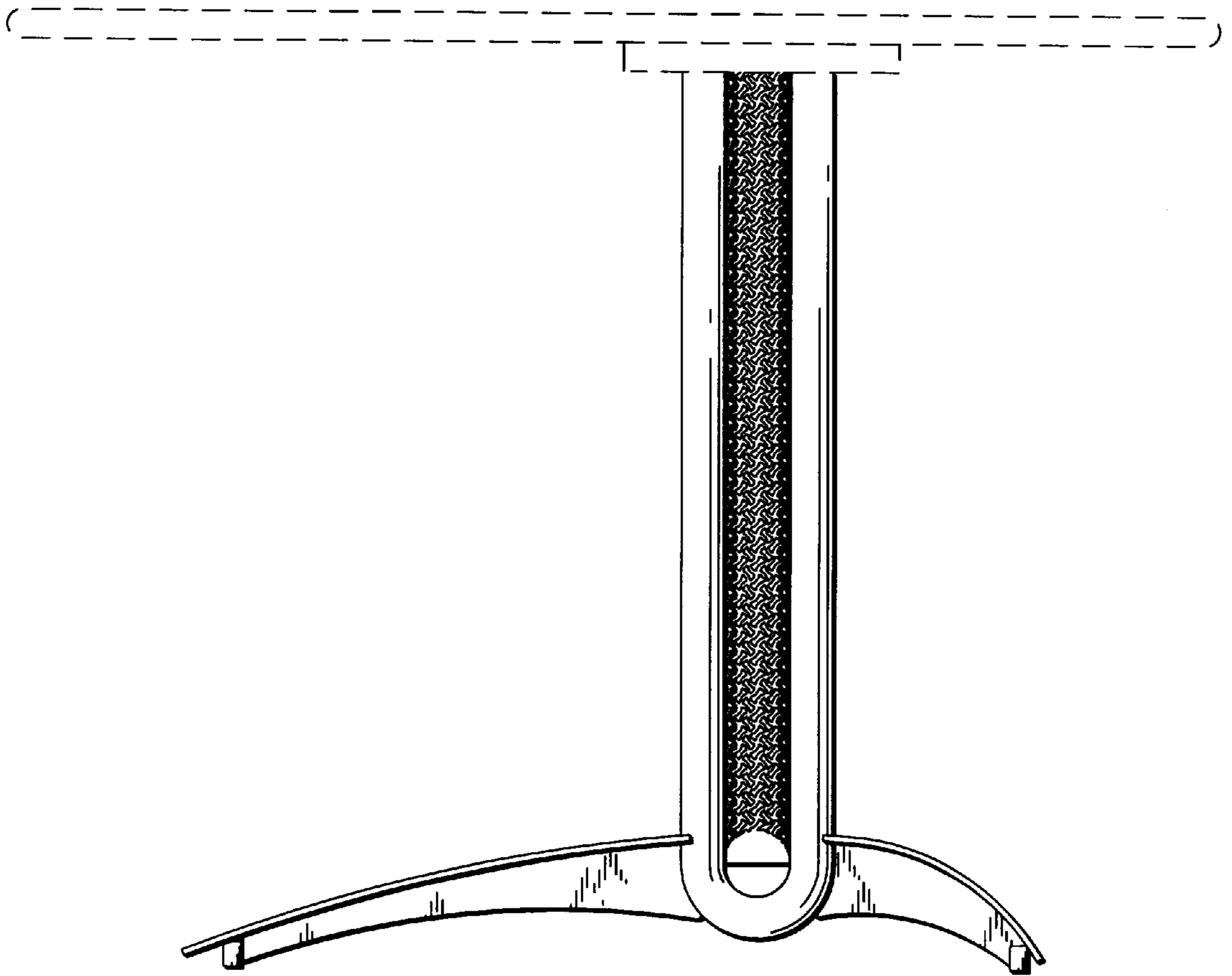
*Fig. 4*



*Fig. 5*

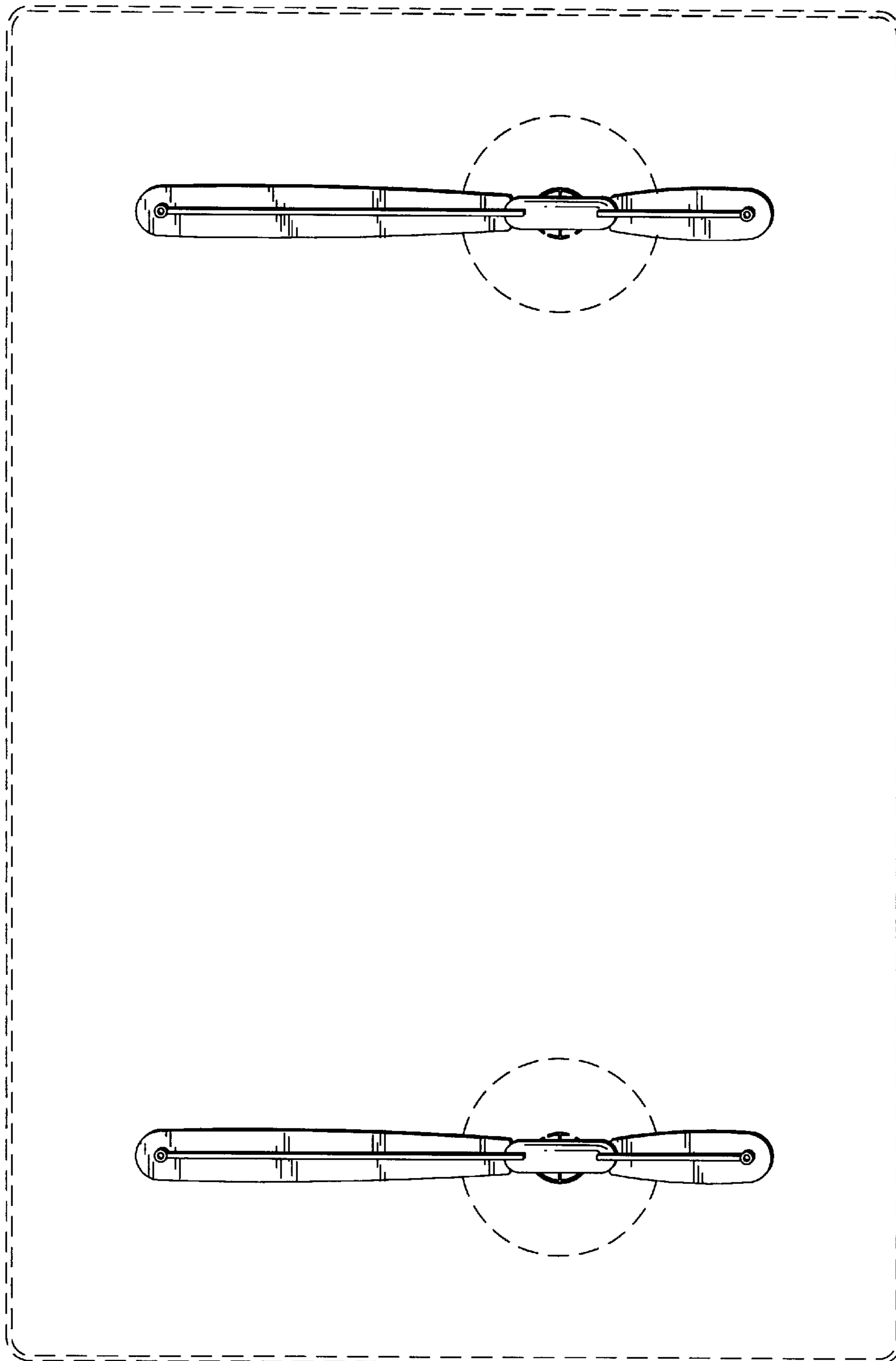


*Fig. 6*

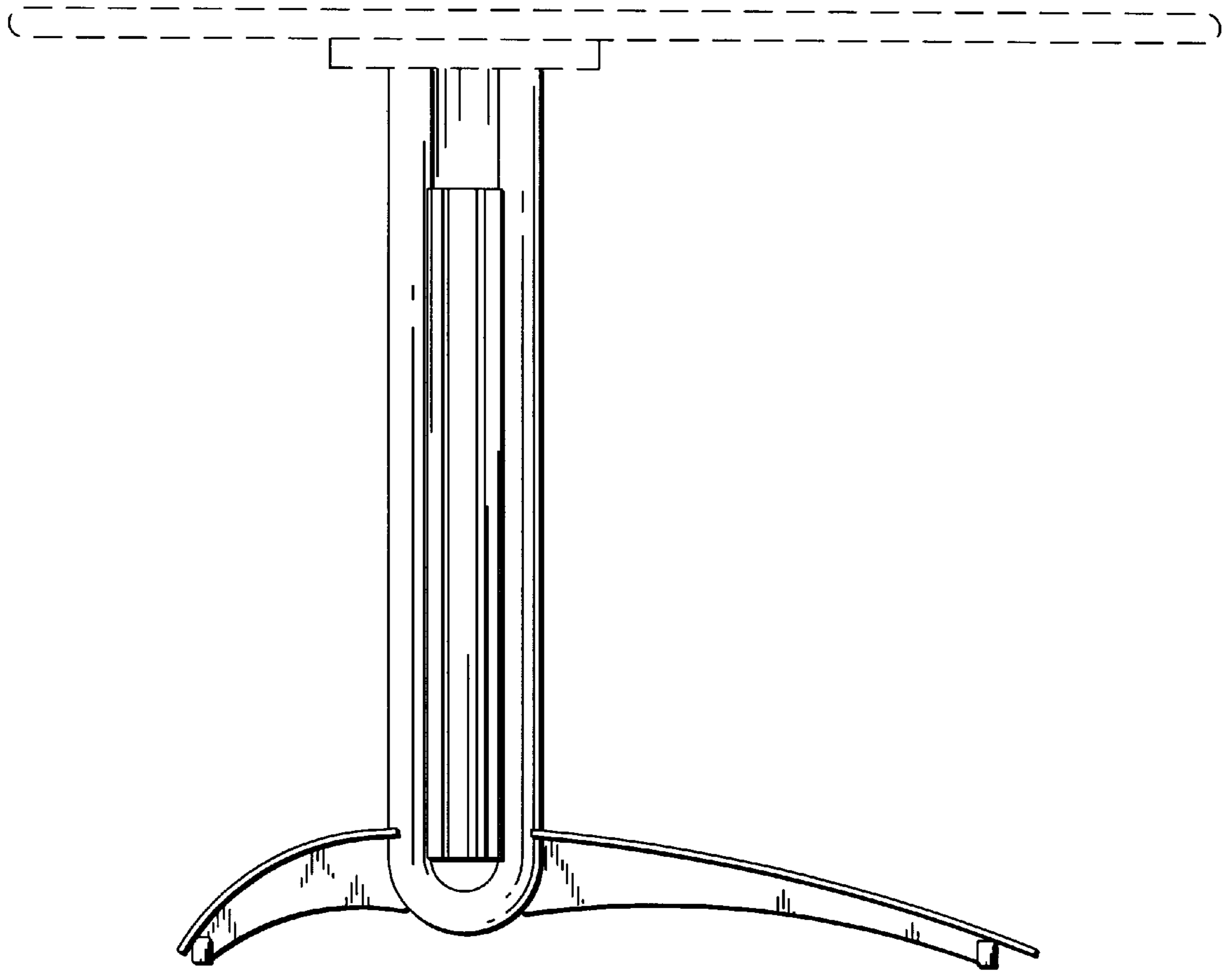


*Fig. 7*

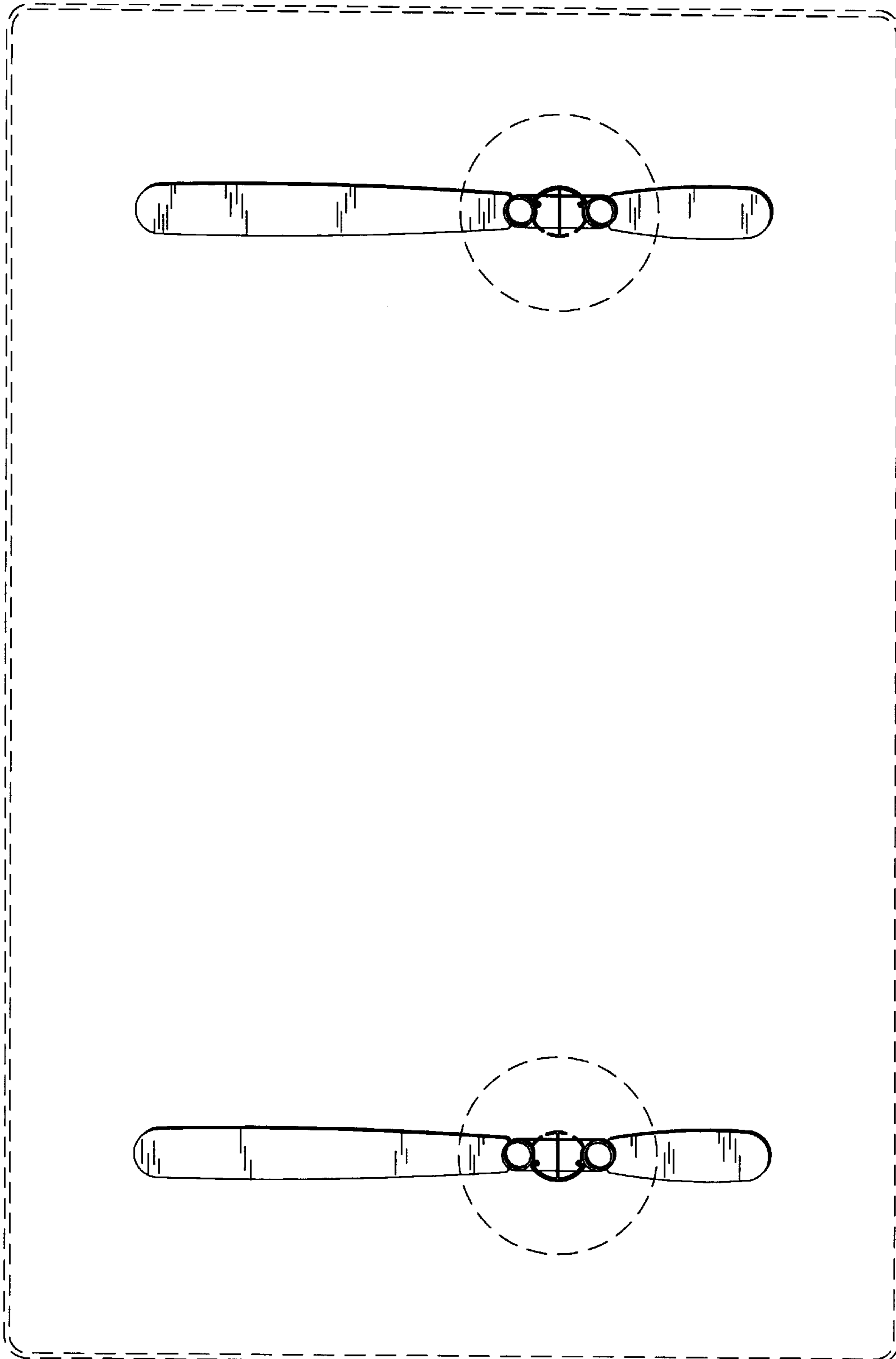




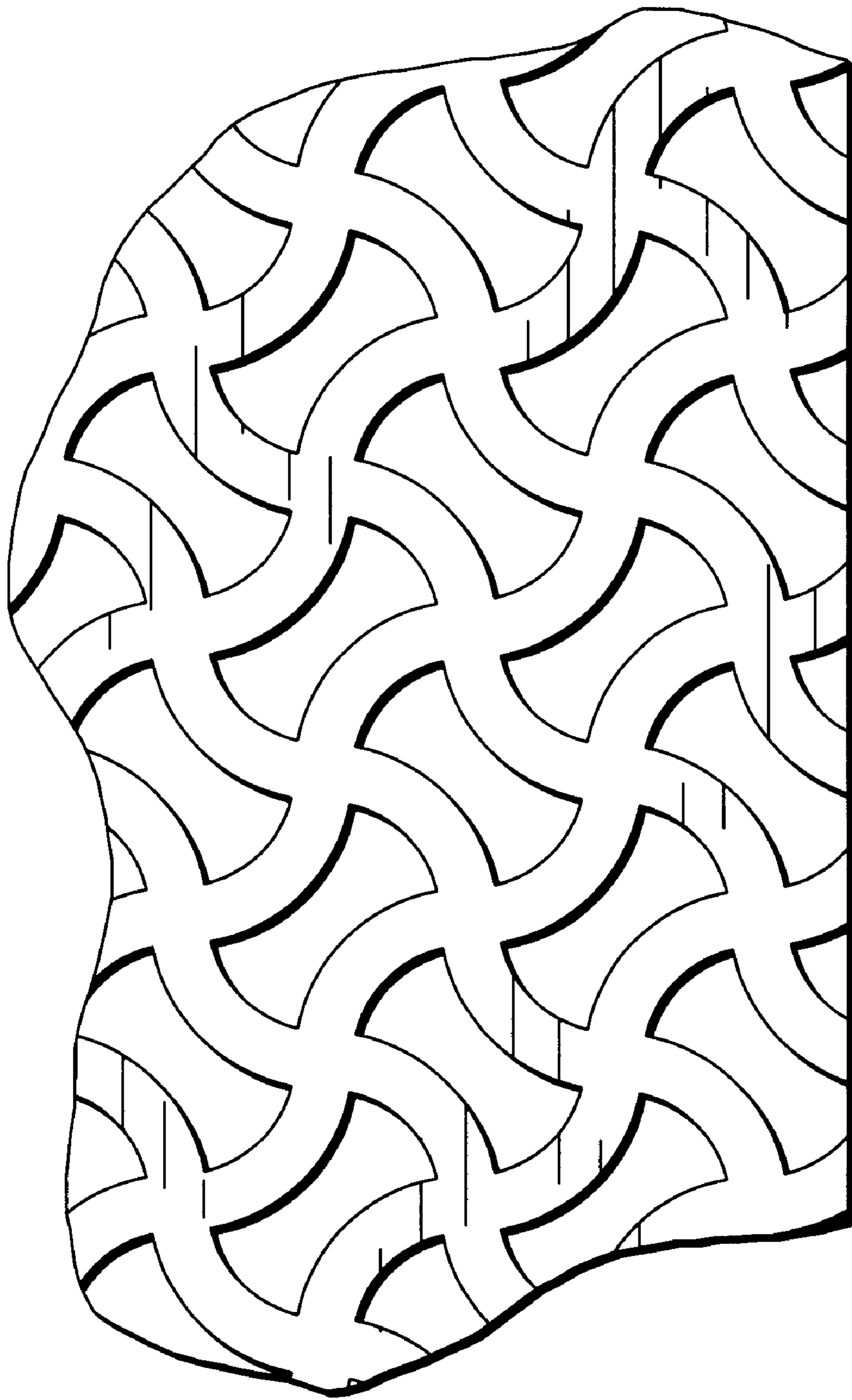
*Fig. 8*



*Fig. 9*



*Fig. 10*



*Fig. 11*