



US00D412255S

**United States Patent** [19]  
**Lewis**

[11] **Patent Number: Des. 412,255**  
[45] **Date of Patent: \*\* Jul. 27, 1999**

[54] **TABLE**

[76] **Inventor: Sally Sirkin Lewis**, 715 N. Canon Dr., Beverly Hills, Calif. 90210

[\*\*] **Term: 14 Years**

[21] **Appl. No.: 29/058,762**

[22] **Filed: Aug. 22, 1996**

[51] **LOC (6) Cl. .... 06-03**

[52] **U.S. Cl. .... D6/484; D6/480**

[58] **Field of Search .... D6/480-489, 495-499; 108/155-157, 161**

[56] **References Cited**

**U.S. PATENT DOCUMENTS**

D. 376,500 12/1996 Lewis ..... D6/484

**OTHER PUBLICATIONS**

Domus, Sep. 1990, table at top.  
Bloomingdales, Jun. 1994, p. 7, table at bottom.

*Primary Examiner*—Janice E. Seeger  
*Attorney, Agent, or Firm*—Kleinberg & Lerner, LLP

[57] **CLAIM**

The ornamental design for a table, as shown and described.

**DESCRIPTION**

FIG. 1 is a side view of the table of the present invention; FIG. 2 is a front view of the table of FIG. 1; FIG. 3 is a rear view of the table of FIG. 1; FIG. 4 is a top view of the table of FIG. 1; FIG. 5 is a bottom view of the table of FIG. 1; and, FIG. 6 is a rear perspective view of the table of FIG. 1. The left and right side views are identical.

**1 Claim, 3 Drawing Sheets**

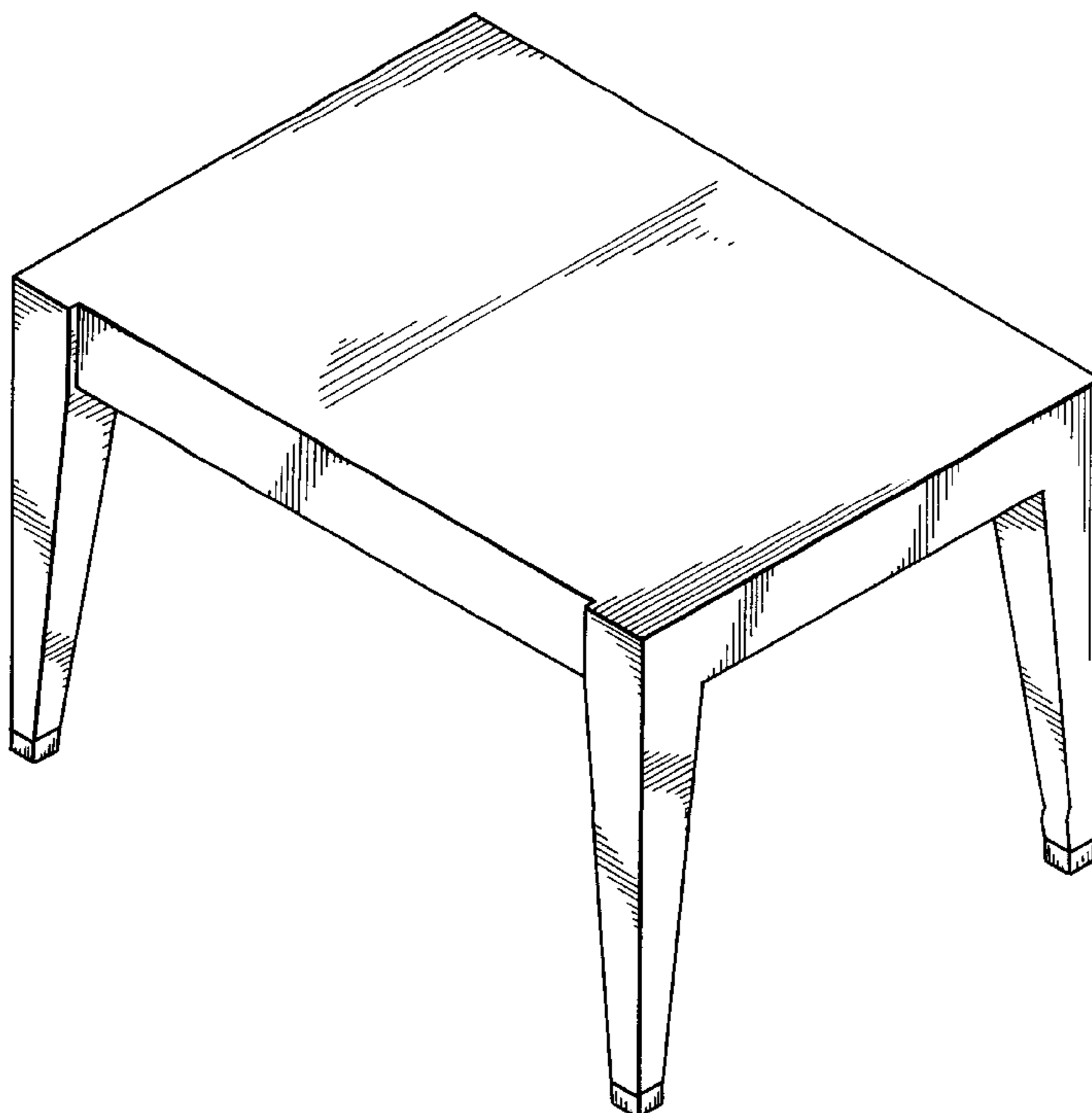
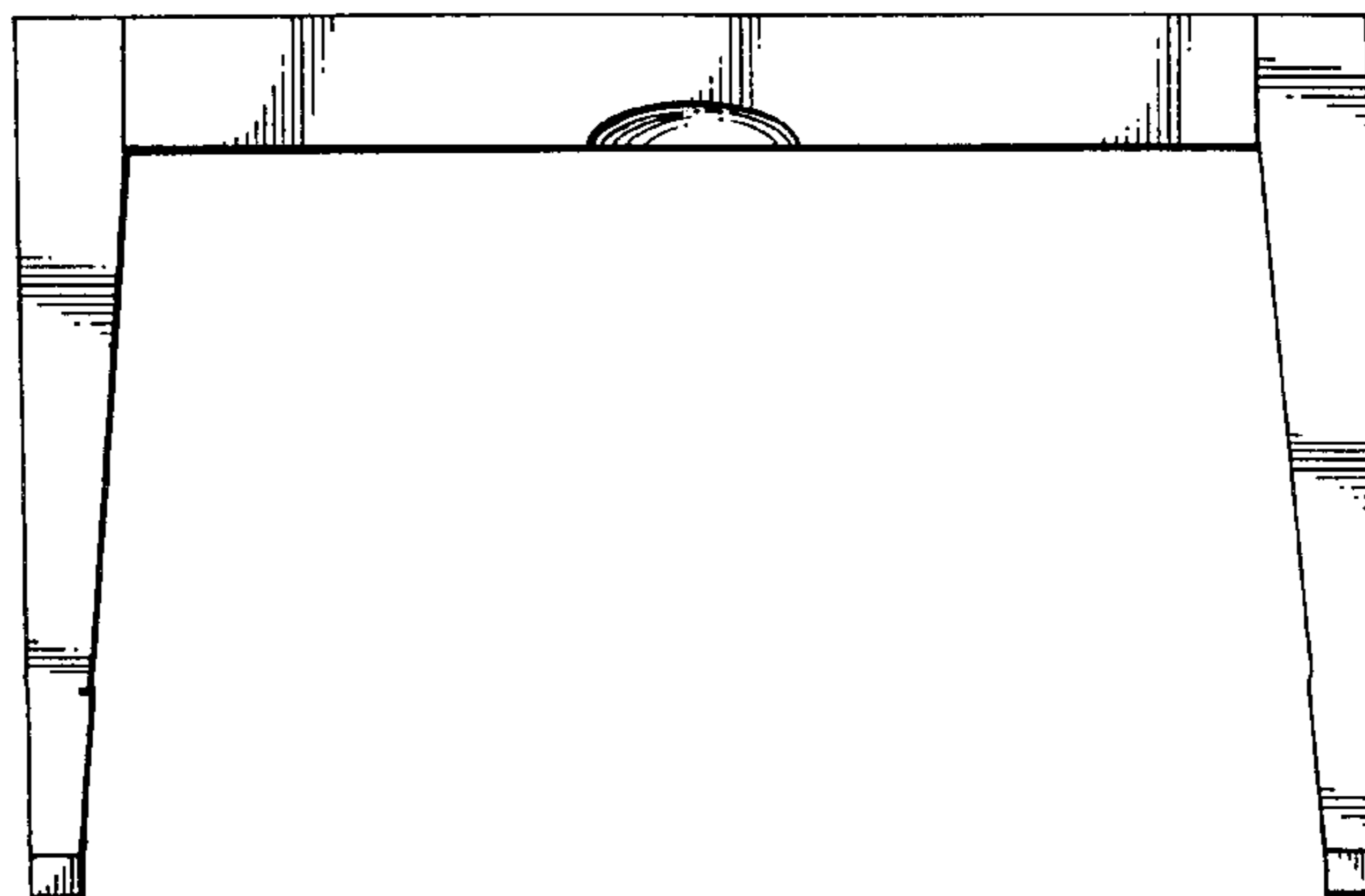


FIG. 1

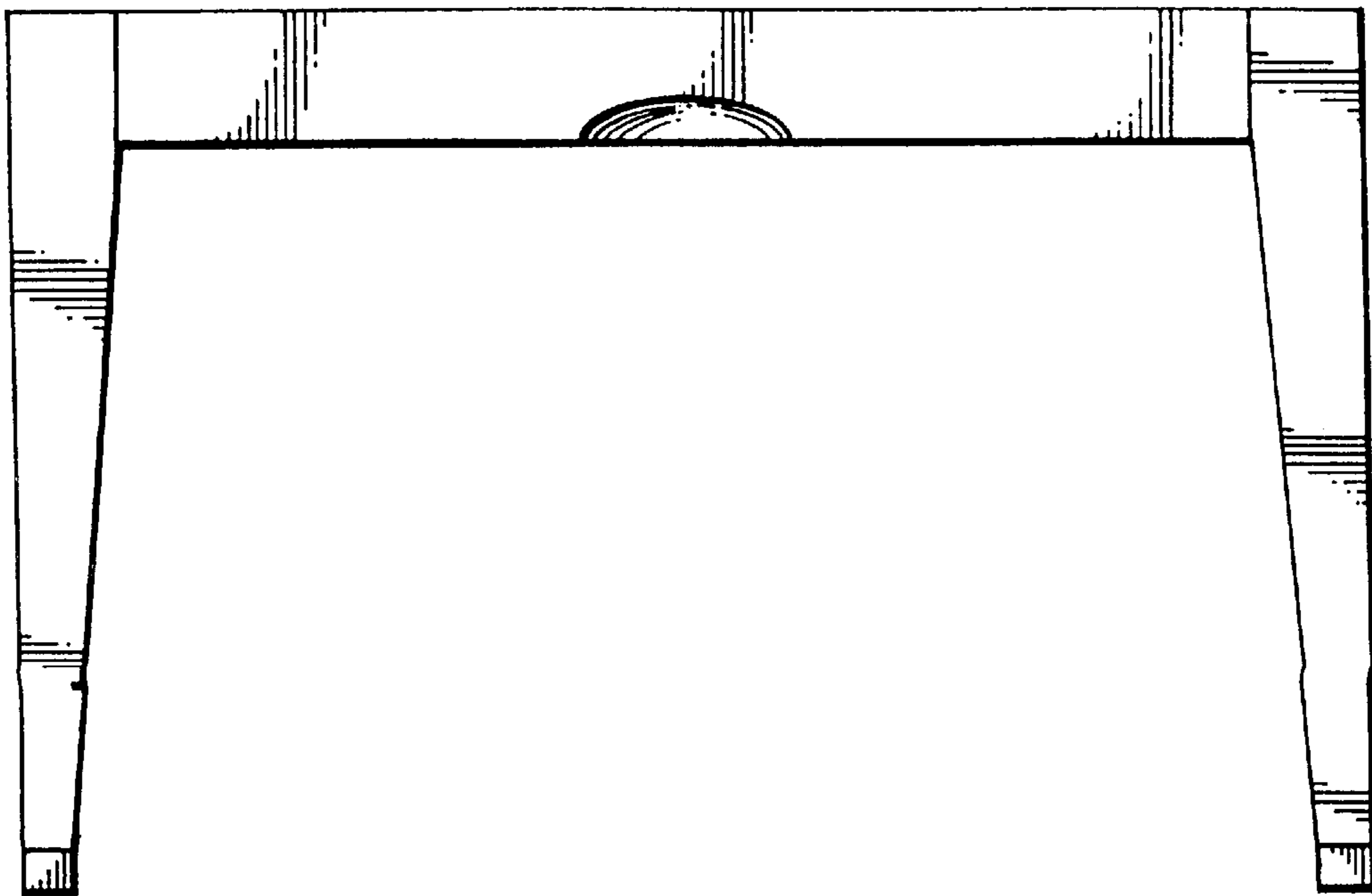
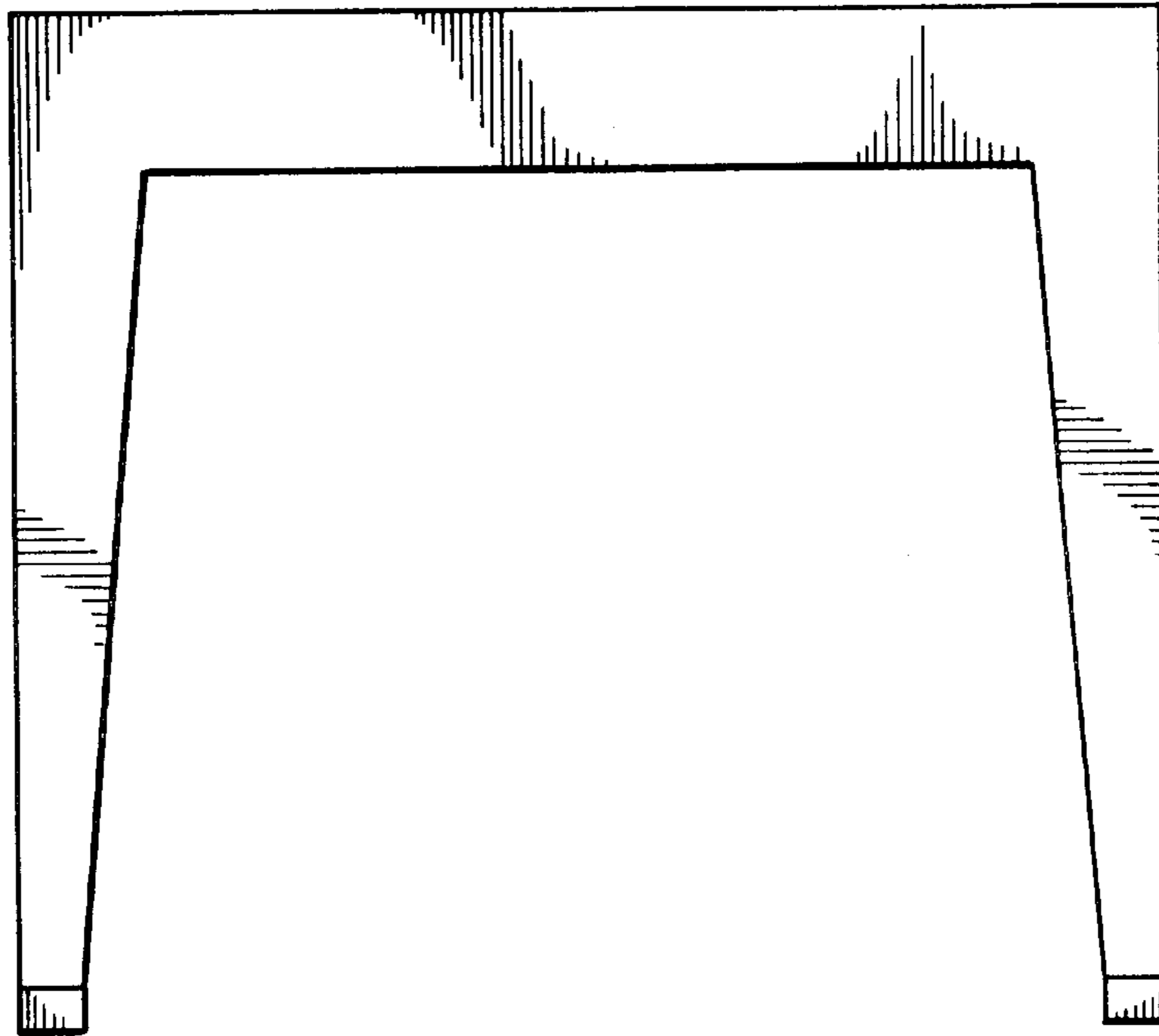


FIG. 2

FIG. 3

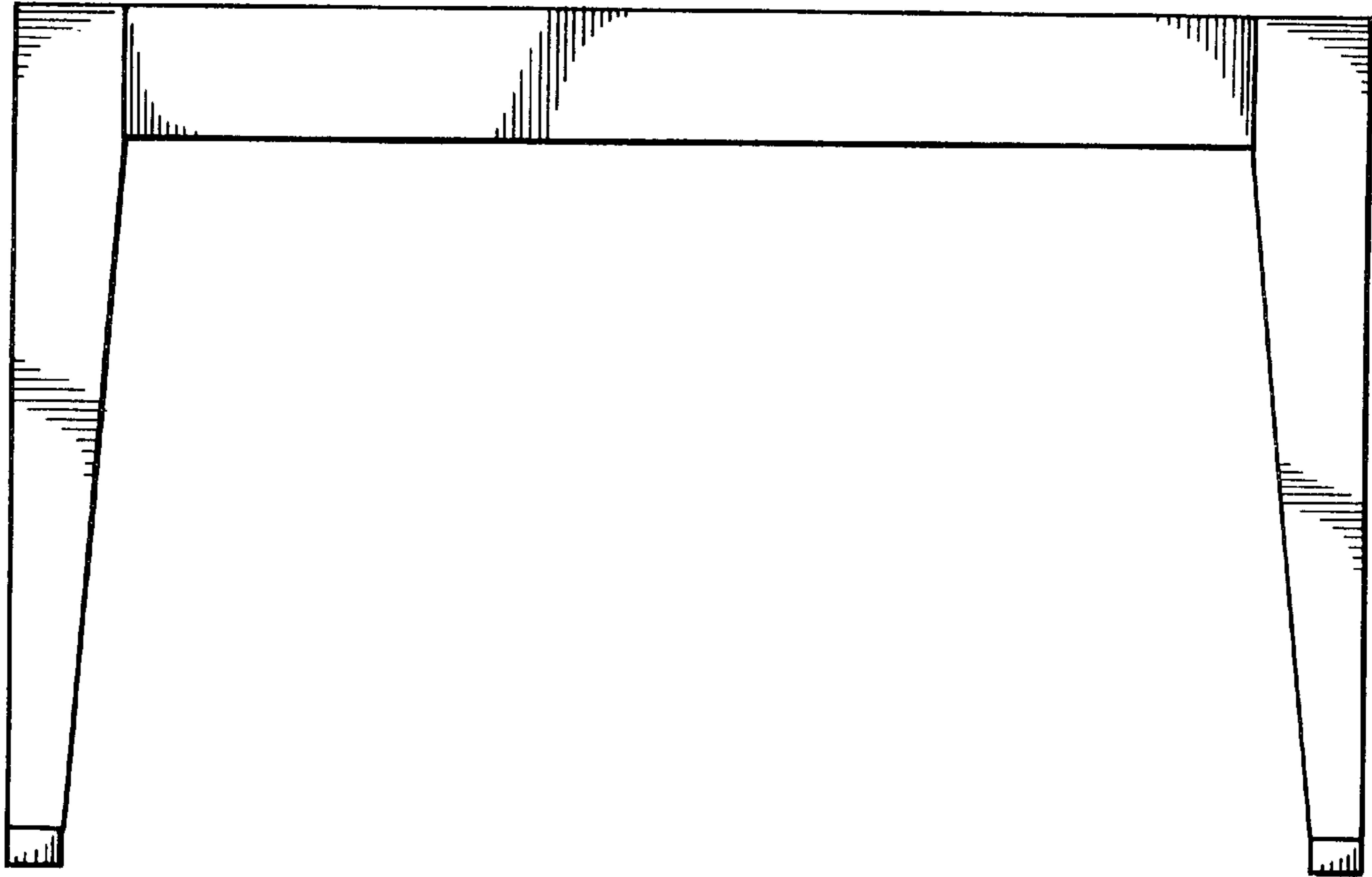
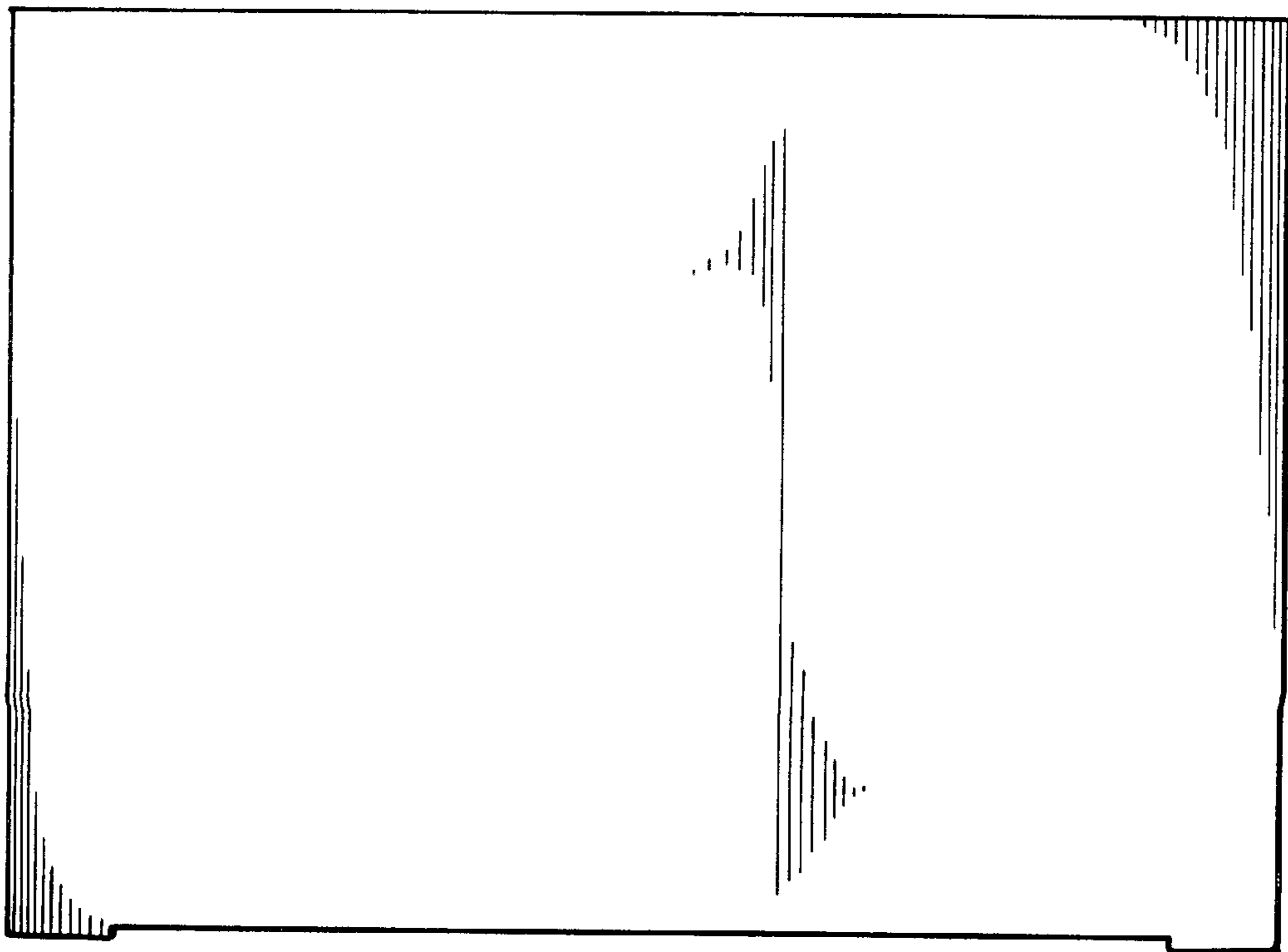


FIG. 4



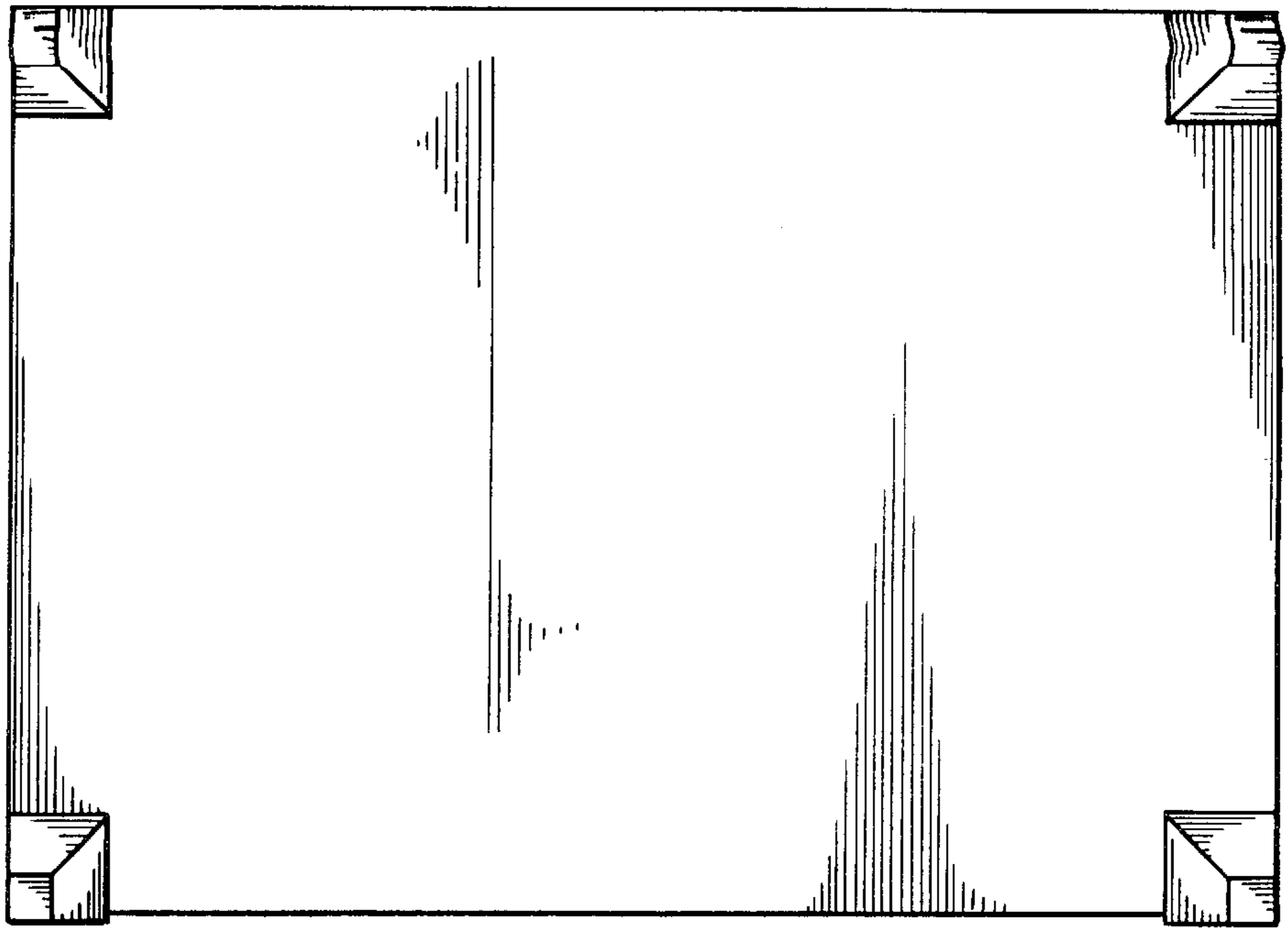


FIG. 5

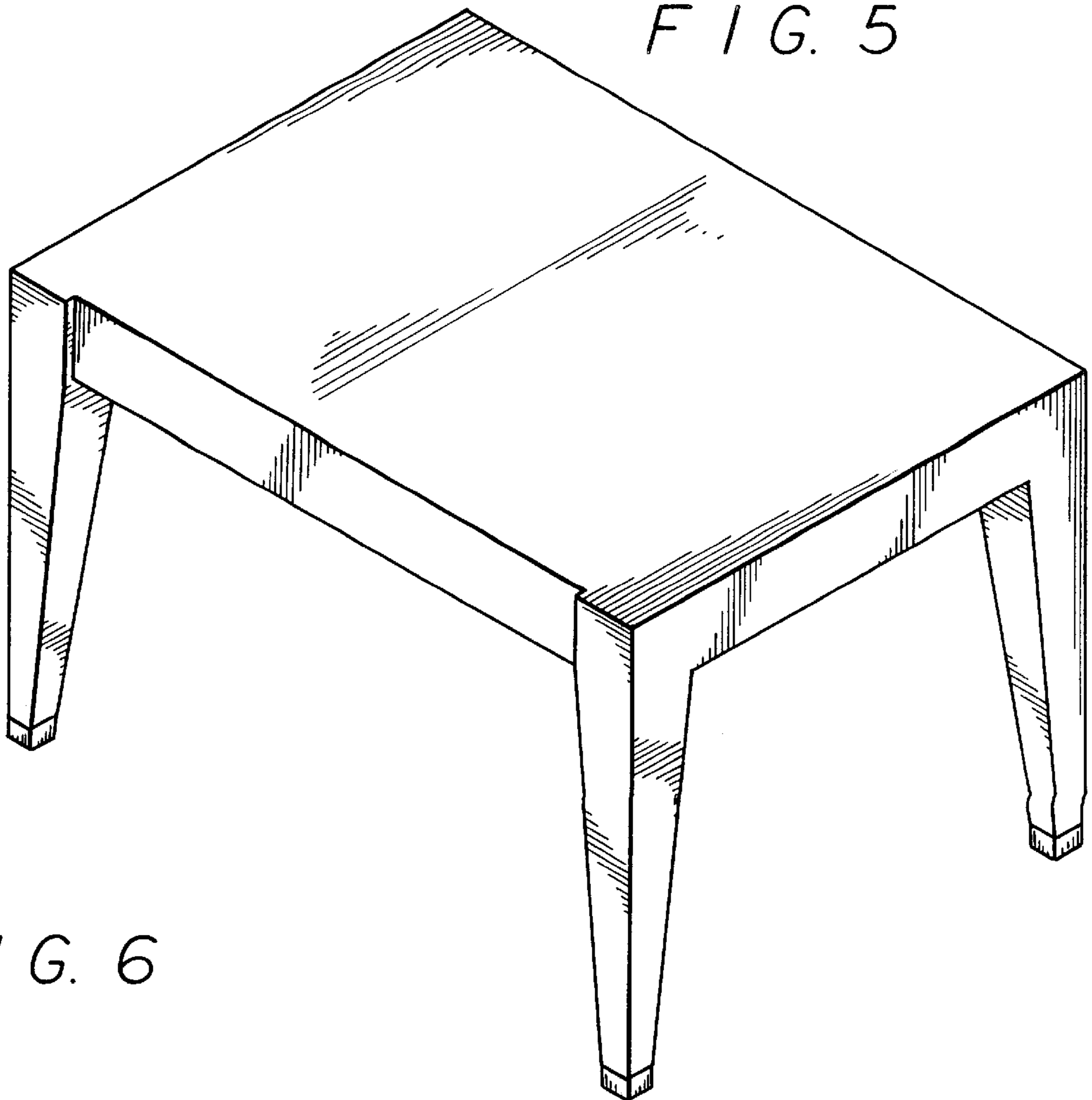


FIG. 6